



US00D631409S

(12) **United States Design Patent**  
**Mack, Jr. et al.**

(10) **Patent No.:** **US D631,409 S**  
(45) **Date of Patent:** **\*\* Jan. 25, 2011**

(54) **BICYCLE SHIFTER**

(75) Inventors: **Henry J. Mack, Jr.**, Phillipsburg, NJ (US); **In Young Jang**, Ridgefield, NJ (US); **Paul Elhardt**, Charlotte, NC (US); **Thomas Chilton Hill**, Charlotte, NC (US); **Stephen G. Miggels**, Wyckoff, NJ (US); **Jimmy An**, Pine Brook, NJ (US)

(73) Assignee: **Fallbrook Technologies Inc.**, San Diego, CA (US)

(\*\*) Term: **14 Years**

(21) Appl. No.: **29/343,826**

(22) Filed: **Sep. 18, 2009**

(51) **LOC (9) Cl.** ..... **12-11**

(52) **U.S. Cl.** ..... **D12/179**

(58) **Field of Classification Search** ..... D12/179,  
D12/180, 111, 110; 74/488, 489, 502.2,  
74/523, 551.8, 551.9, 500.5, 501.6, 473.13-473.15;  
16/110, 421, 430, DIG. 12; D8/303  
See application file for complete search history.

(56) **References Cited**

**U.S. PATENT DOCUMENTS**

|           |   |   |         |               |       |          |
|-----------|---|---|---------|---------------|-------|----------|
| 6,155,132 | A | * | 12/2000 | Yamane        | ..... | 74/502.2 |
| D546,741  | S | * | 7/2007  | Iteya et al.  | ..... | D12/179  |
| D548,655  | S | * | 8/2007  | Barrow et al. | ..... | D12/179  |
| D579,833  | S | * | 11/2008 | Acenbrak      | ..... | D12/179  |

2007/0193391 A1 8/2007 Armstrong et al.  
2007/0245846 A1 10/2007 Armstrong et al.

\* cited by examiner

*Primary Examiner*—Philip S Hyder  
*Assistant Examiner*—Linda G. Brooks  
(74) *Attorney, Agent, or Firm*—Knobbe, Martens, Olson & Bear LLP

(57) **CLAIM**

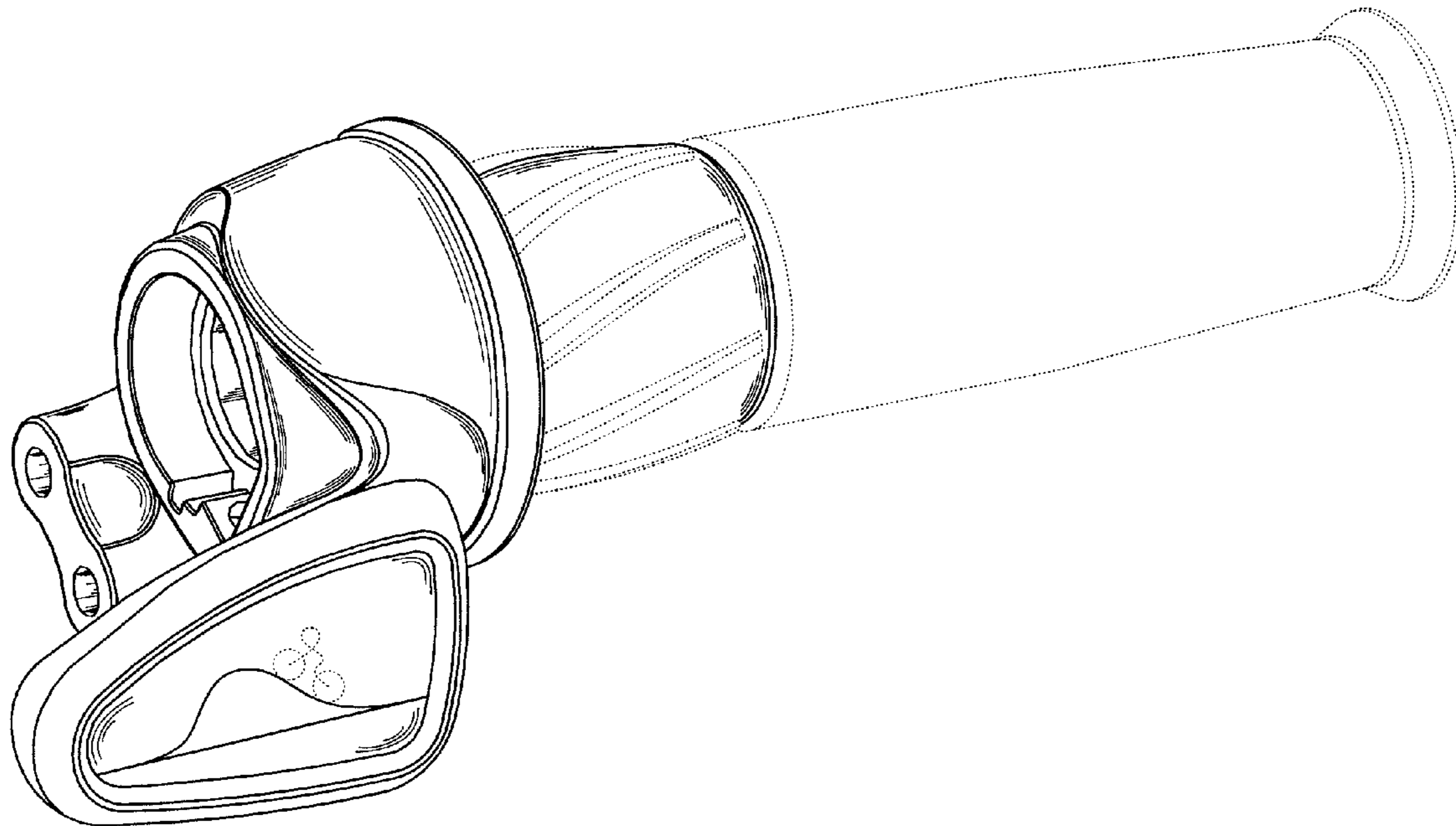
The ornamental design for a bicycle shifter, as shown and described.

**DESCRIPTION**

FIG. 1 is a perspective view of the bicycle shifter;  
FIG. 2 is a front view of the bicycle shifter of FIG. 1.  
FIG. 3 is a back view of the bicycle shifter of FIG. 1.  
FIG. 4 is a top view of the bicycle shifter of FIG. 1;  
FIG. 5 is a bottom view of the bicycle shifter of FIG. 1;  
FIG. 6 is an end view of the bicycle shifter of FIG. 1; and,  
FIG. 7 is another end view of the bicycle shifter of FIG. 1.

The broken lines within the bounds of the bicycle shifter illustrate portions of the bicycle shifter that form no part of the claimed design, while the other broken lines are provided for the purpose of environment and form no part of the claimed design.

**1 Claim, 6 Drawing Sheets**



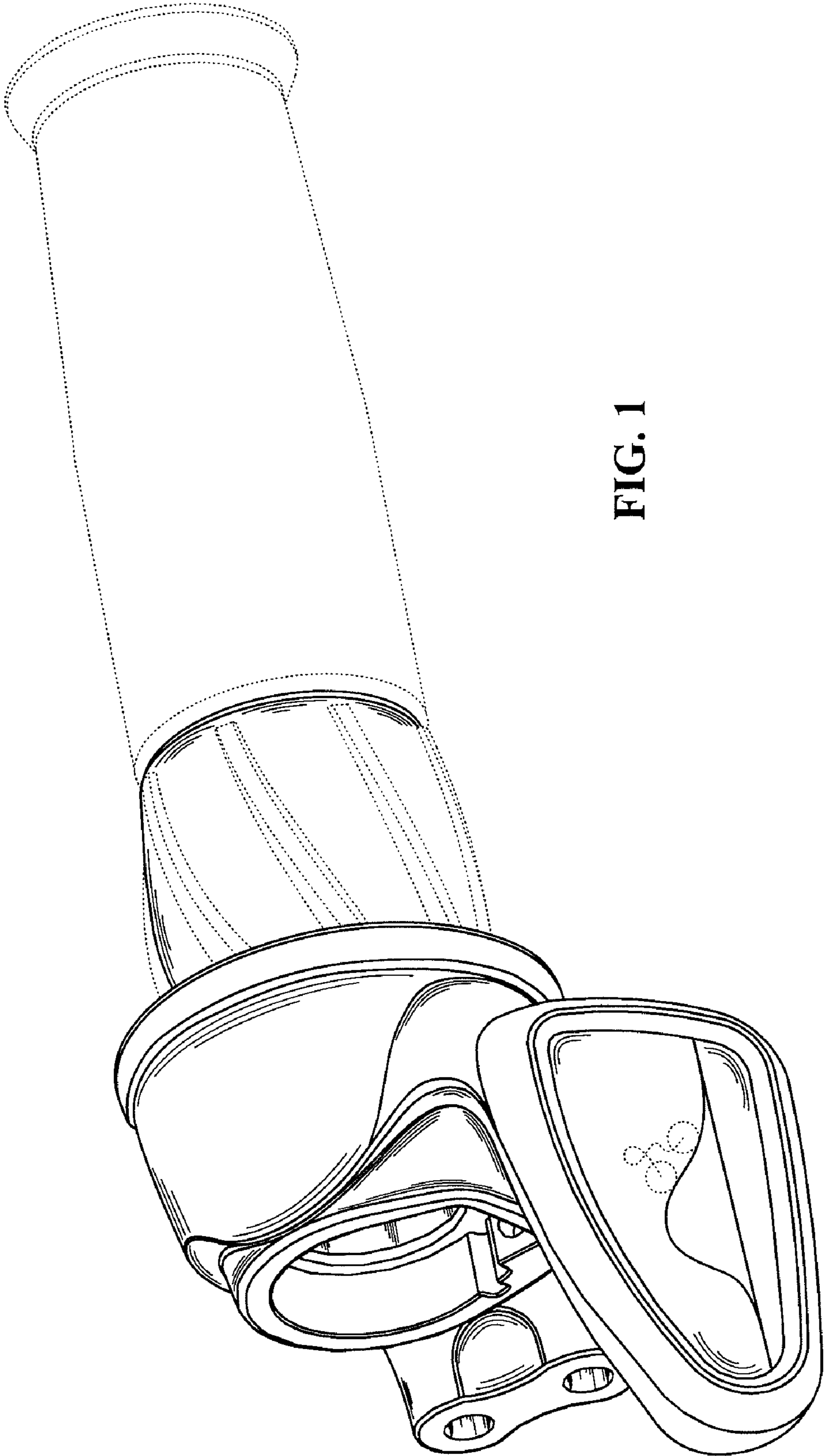


FIG. 1

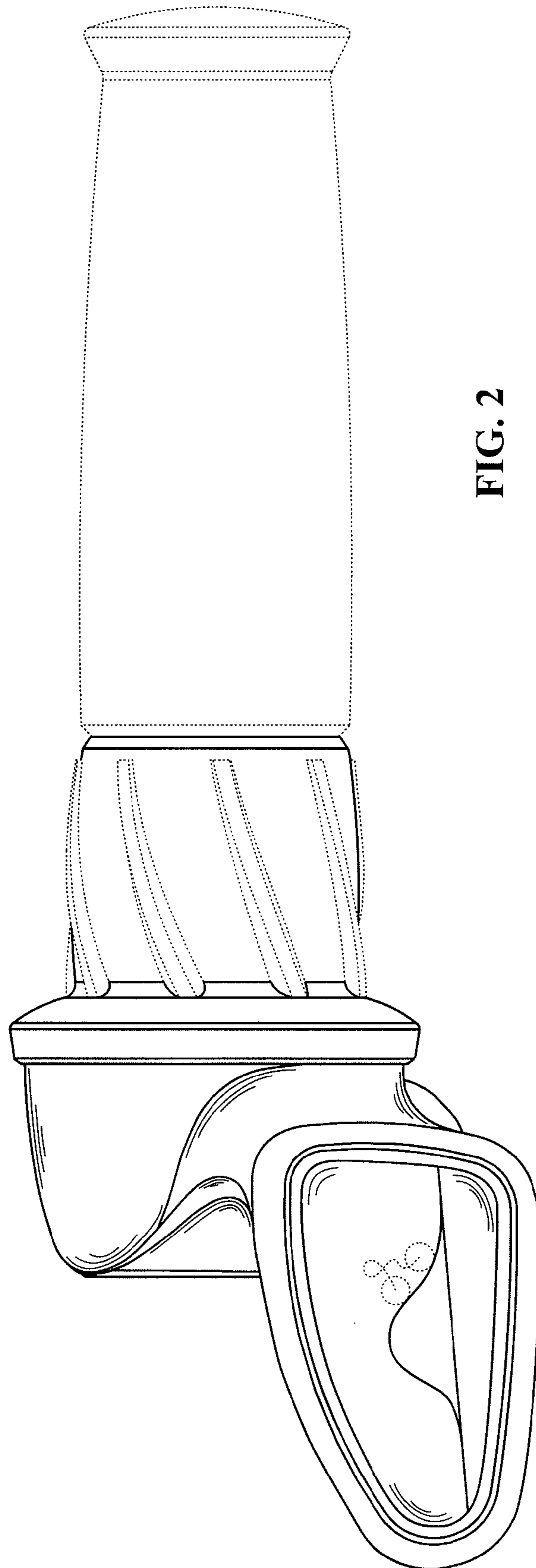


FIG. 2

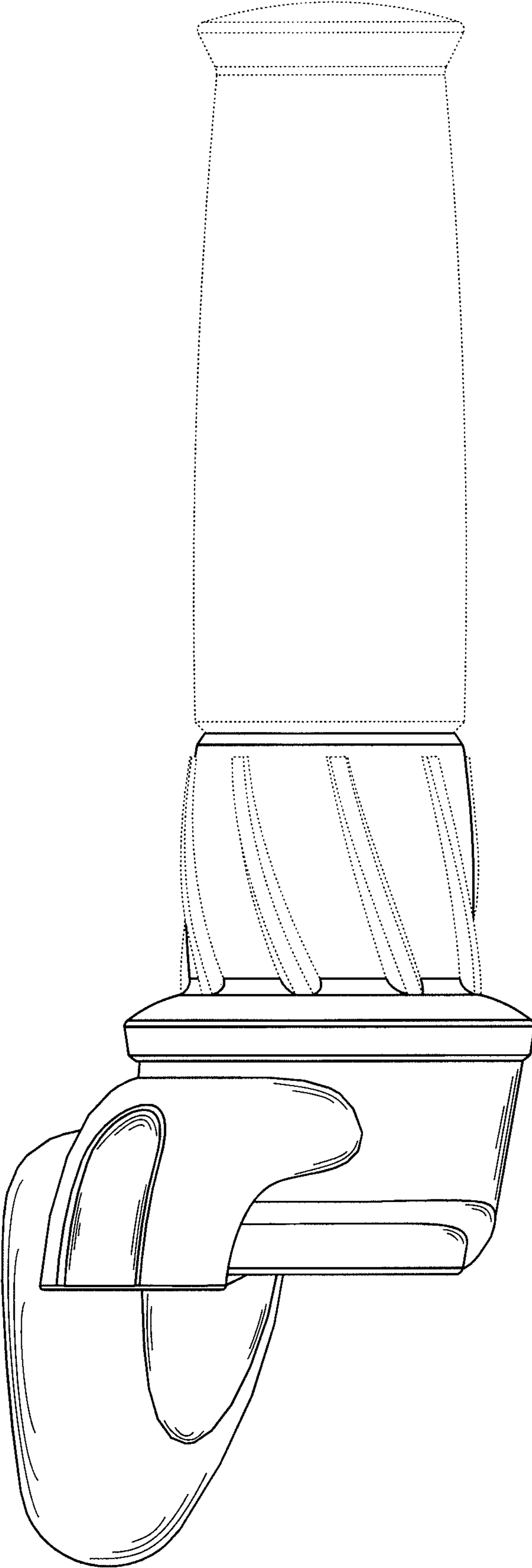


FIG. 3

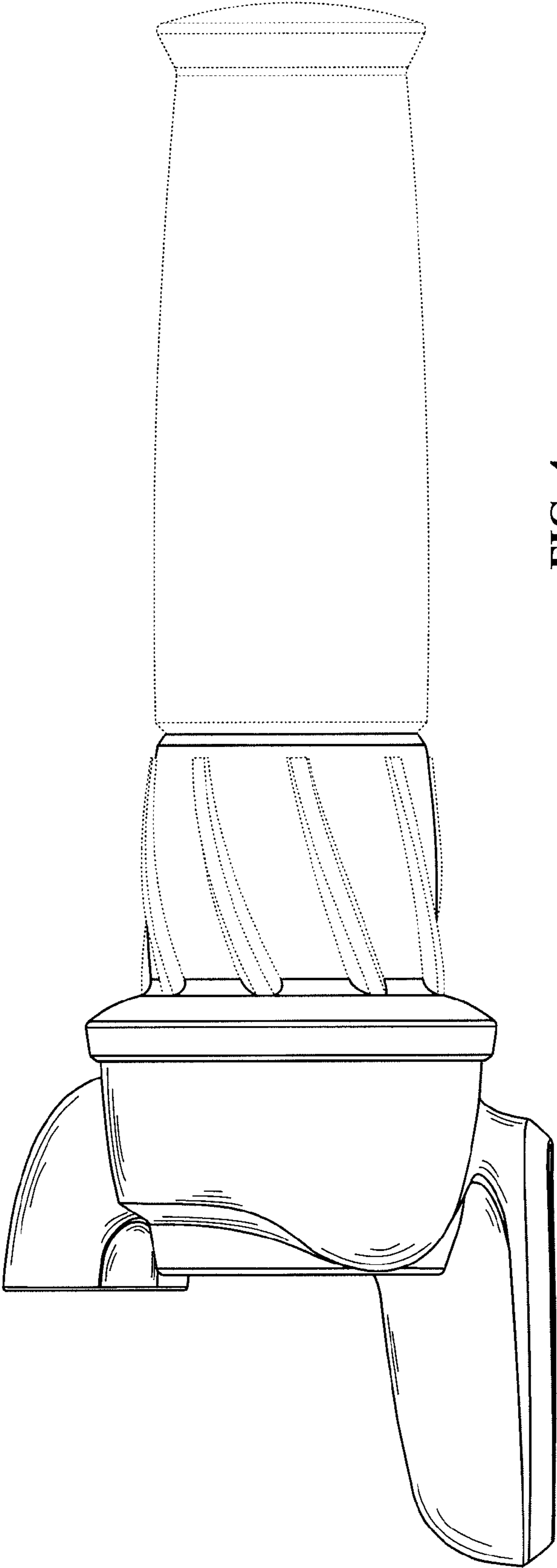


FIG. 4

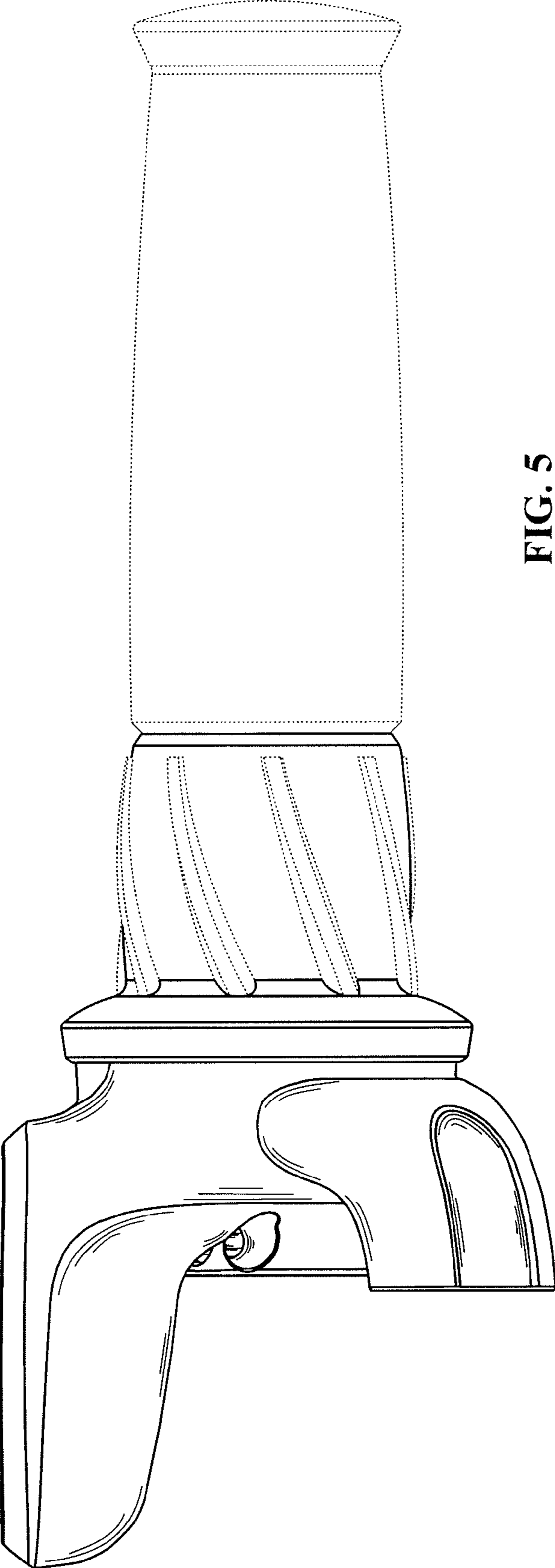


FIG. 5

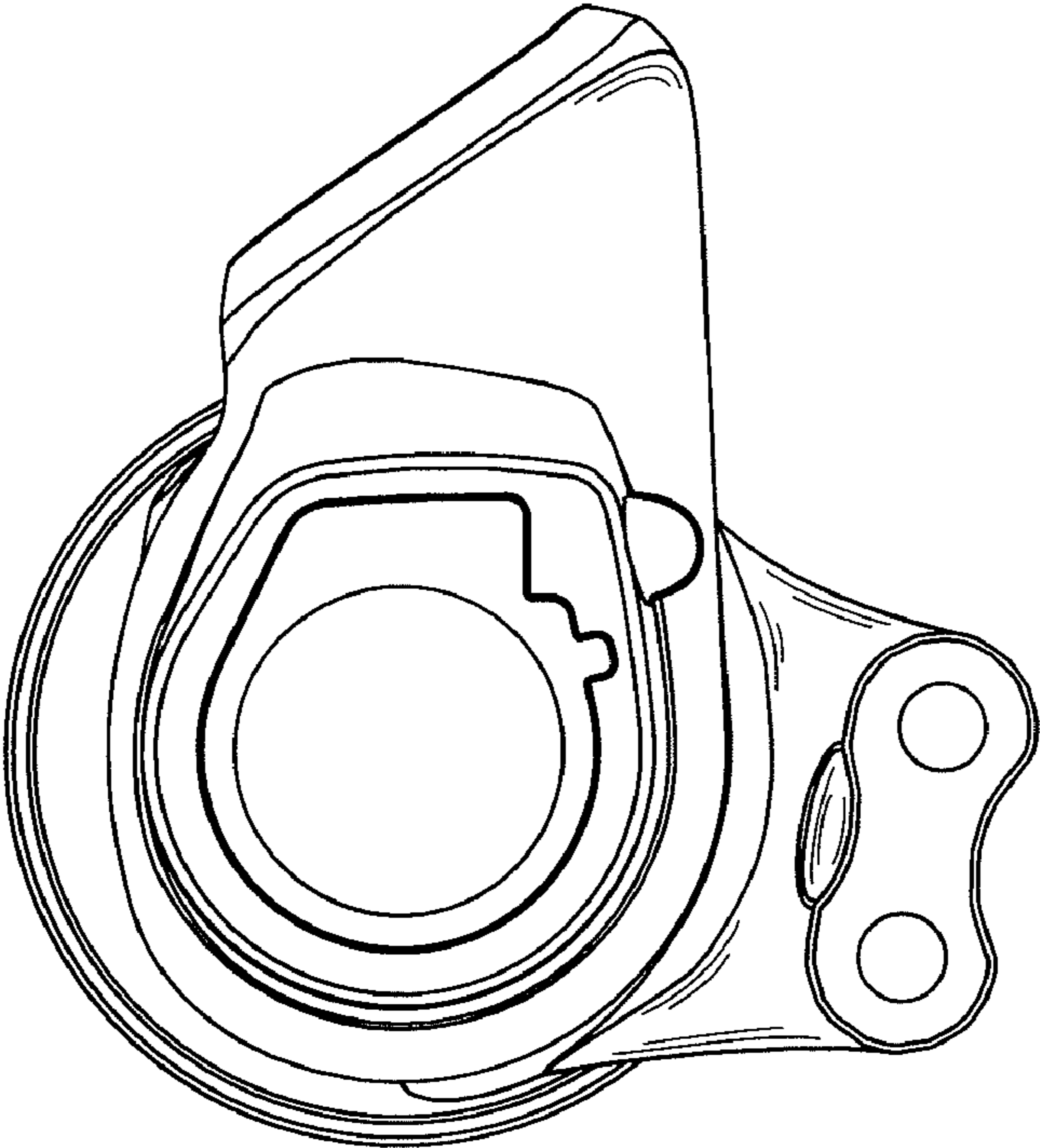


FIG. 7

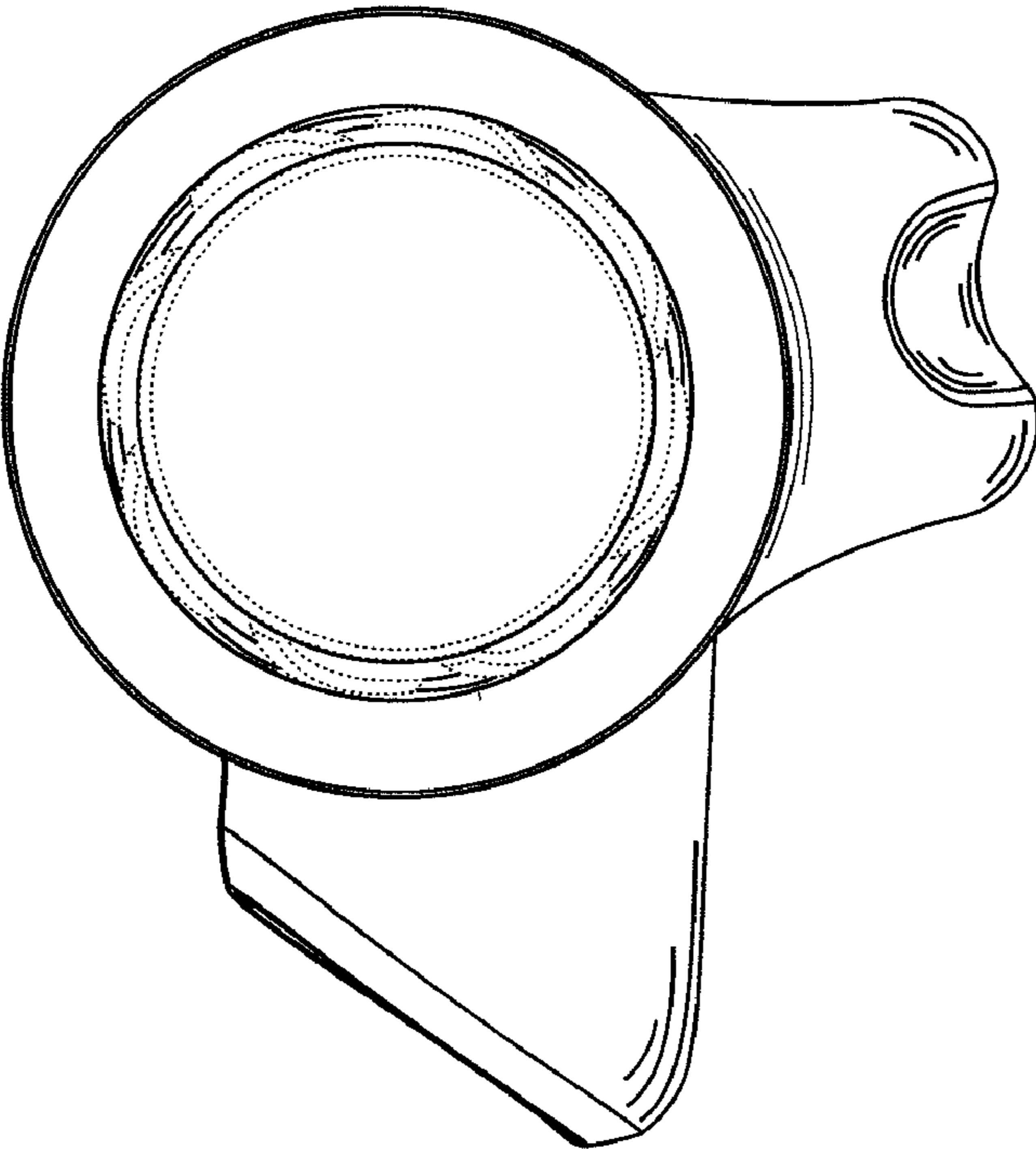


FIG. 6