



US00D631408S

(12) **United States Design Patent**  
**Brodsky et al.**

(10) **Patent No.:** **US D631,408 S**

(45) **Date of Patent:** **\*\* Jan. 25, 2011**

(54) **MOTORCYCLE LINKAGE**

(75) Inventors: **Rastislav Brodsky**, North Miami, FL  
(US); **David Wang**, North Miami, FL  
(US)

(73) Assignee: **Blata USA Corporation**, North Miami,  
FL (US)

(\*\*) Term: **14 Years**

(21) Appl. No.: **29/315,552**

(22) Filed: **Jul. 2, 2009**

(51) **LOC (9) Cl.** ..... **12-11**

(52) **U.S. Cl.** ..... **D12/179**

(58) **Field of Classification Search** ..... D12/110,  
D12/114, 122, 223, 125, 174, 179, 180; 180/219,  
180/226, 227; 188/24.11–24.22, 218 XL,  
188/344, 71.6, 73.32, 17, 18 R, 70 R, 71.5,  
188/72.6, 73.1; 74/478, 512

See application file for complete search history.

(56) **References Cited**

**U.S. PATENT DOCUMENTS**

4,002,084	A *	1/1977	Martins	74/512
6,170,355	B1 *	1/2001	Fay, III	74/512
6,923,293	B1 *	8/2005	James	188/18 A
7,028,818	B1 *	4/2006	James	188/344
D537,022	S *	2/2007	Sands	D12/179
D539,198	S *	3/2007	Sands	D12/179

7,328,910	B2 *	2/2008	Czysz	280/284
D565,486	S *	4/2008	James	D12/179
D601,469	S *	10/2009	Griffin et al.	D12/179
D601,470	S *	10/2009	Griffin et al.	D12/179
D601,471	S *	10/2009	Griffin et al.	D12/179
D601,472	S *	10/2009	Griffin et al.	D12/179

\* cited by examiner

*Primary Examiner*—Philip S Hyder

*Assistant Examiner*—Linda G. Brooks

(74) *Attorney, Agent, or Firm*—Malloy & Malloy, P.A.

(57) **CLAIM**

The ornamental design for a motorcycle linkage, as shown and described.

**DESCRIPTION**

FIG. 1 is a front perspective view illustrating our design for a motorcycle linkage;

FIG. 2 is a bottom view thereof;

FIG. 3 is a top view thereof;

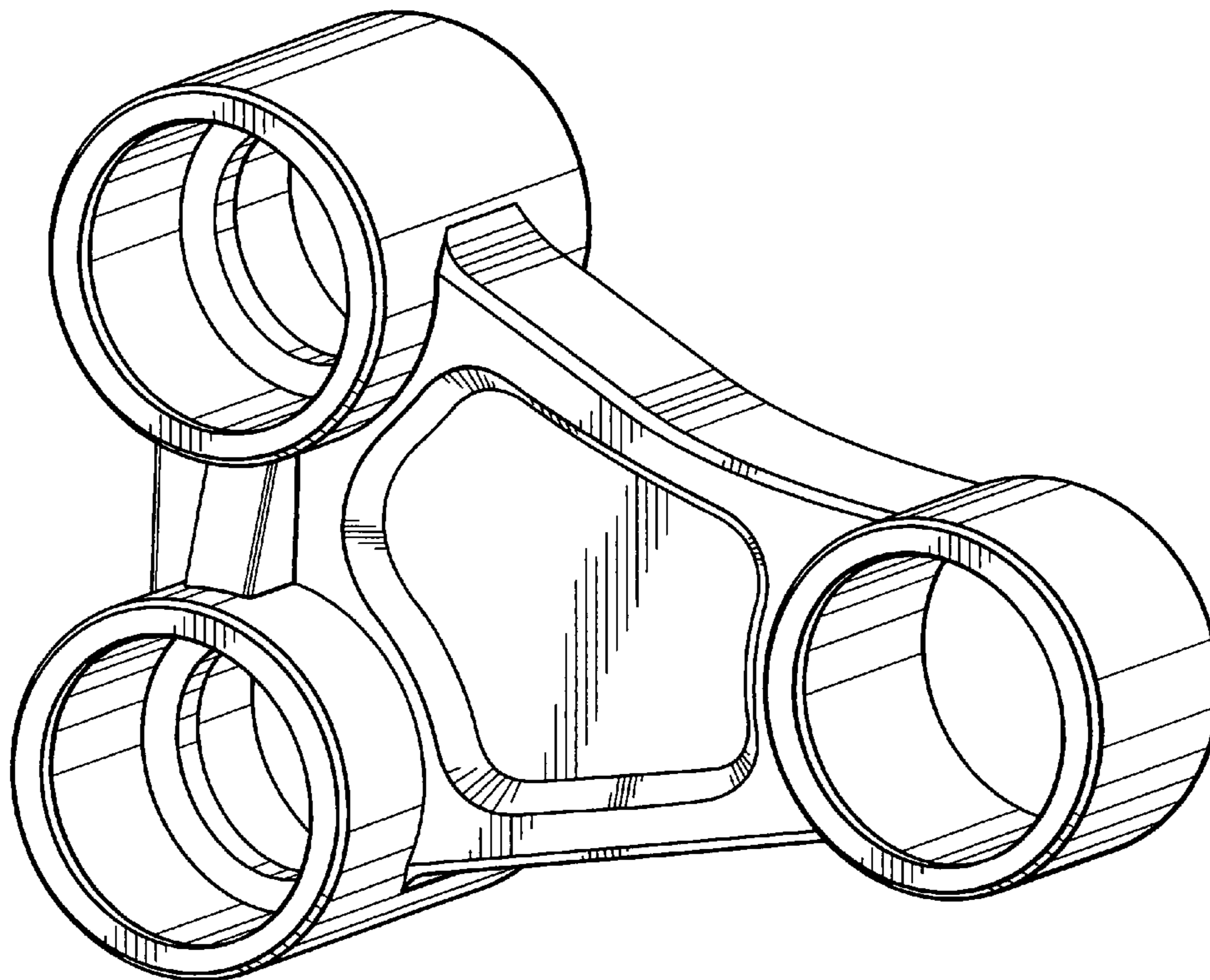
FIG. 4 is a front view thereof;

FIG. 5 is a front view thereof in an inverted orientation from that of FIG. 1;

FIG. 6 is a right side view thereof in an inverted orientation from that of FIG. 1; and,

FIG. 7 is a left side view thereof in an inverted orientation from that of FIG. 1.

**1 Claim, 7 Drawing Sheets**



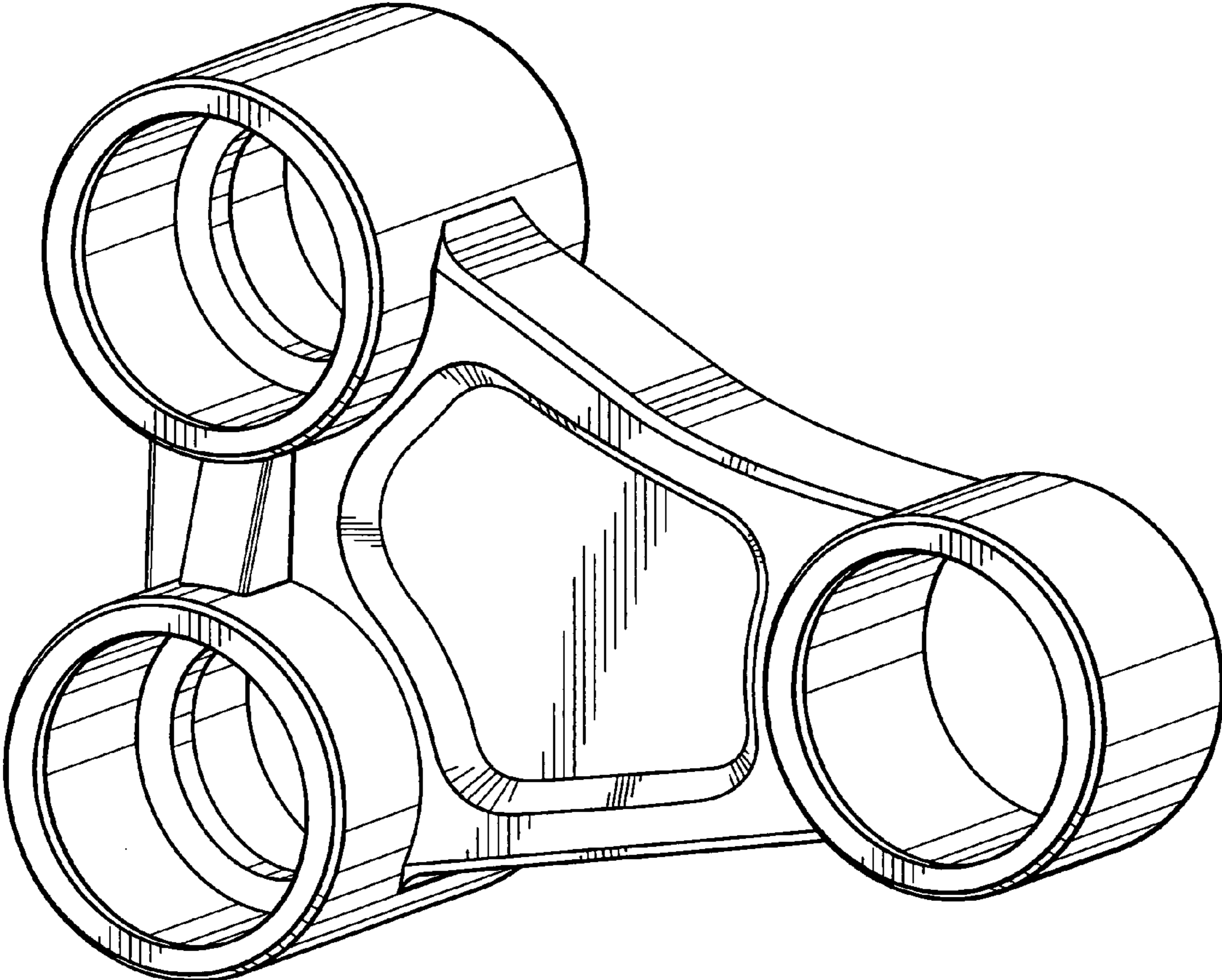


FIG. 1

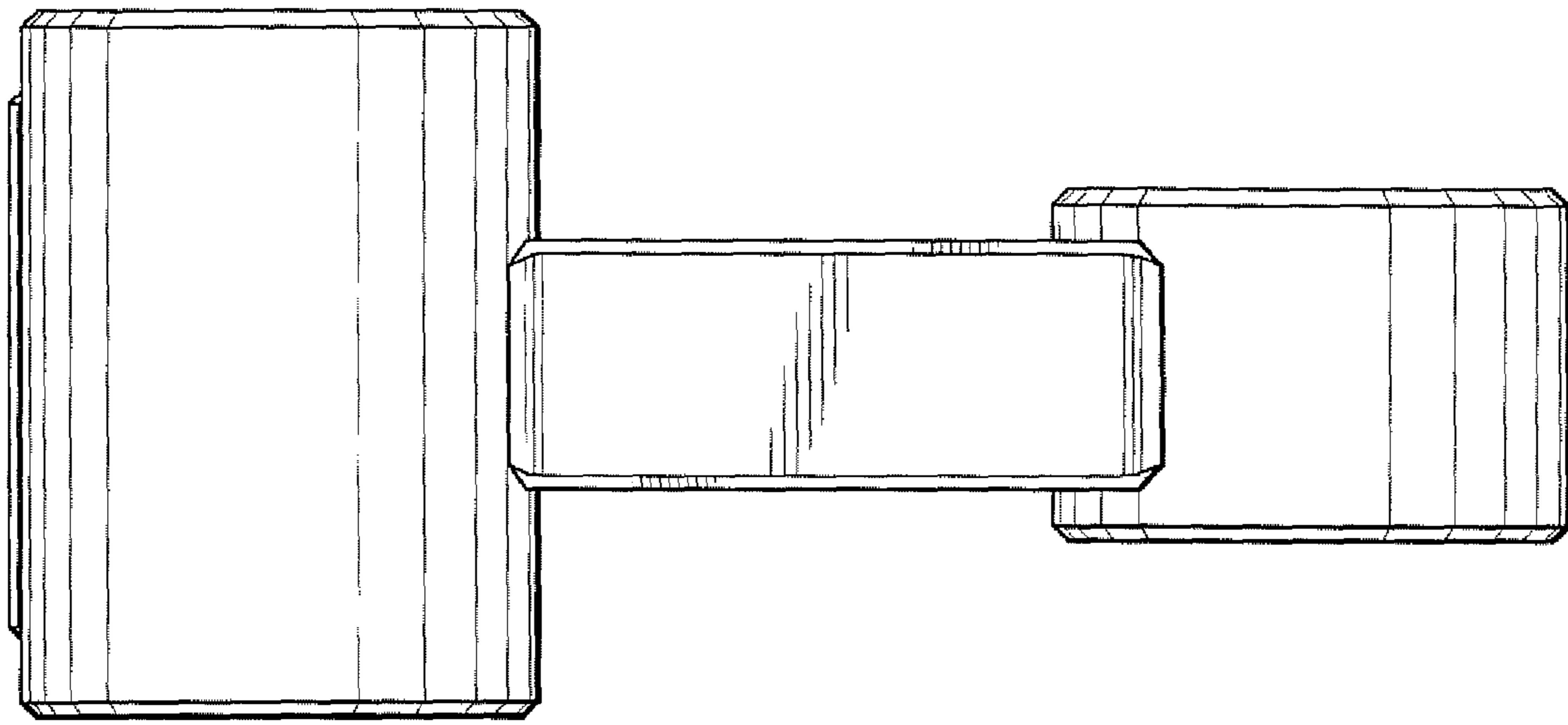


FIG. 2

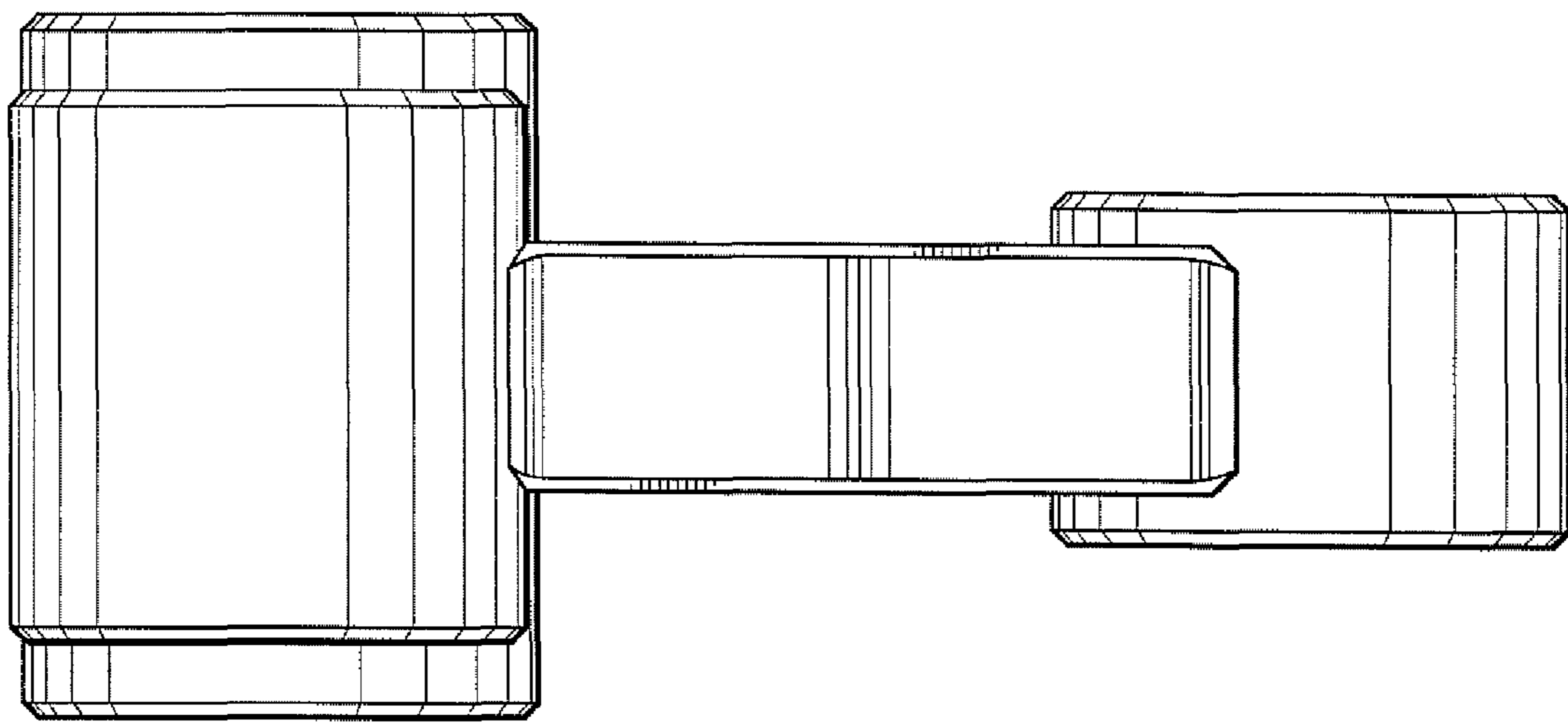


FIG. 3

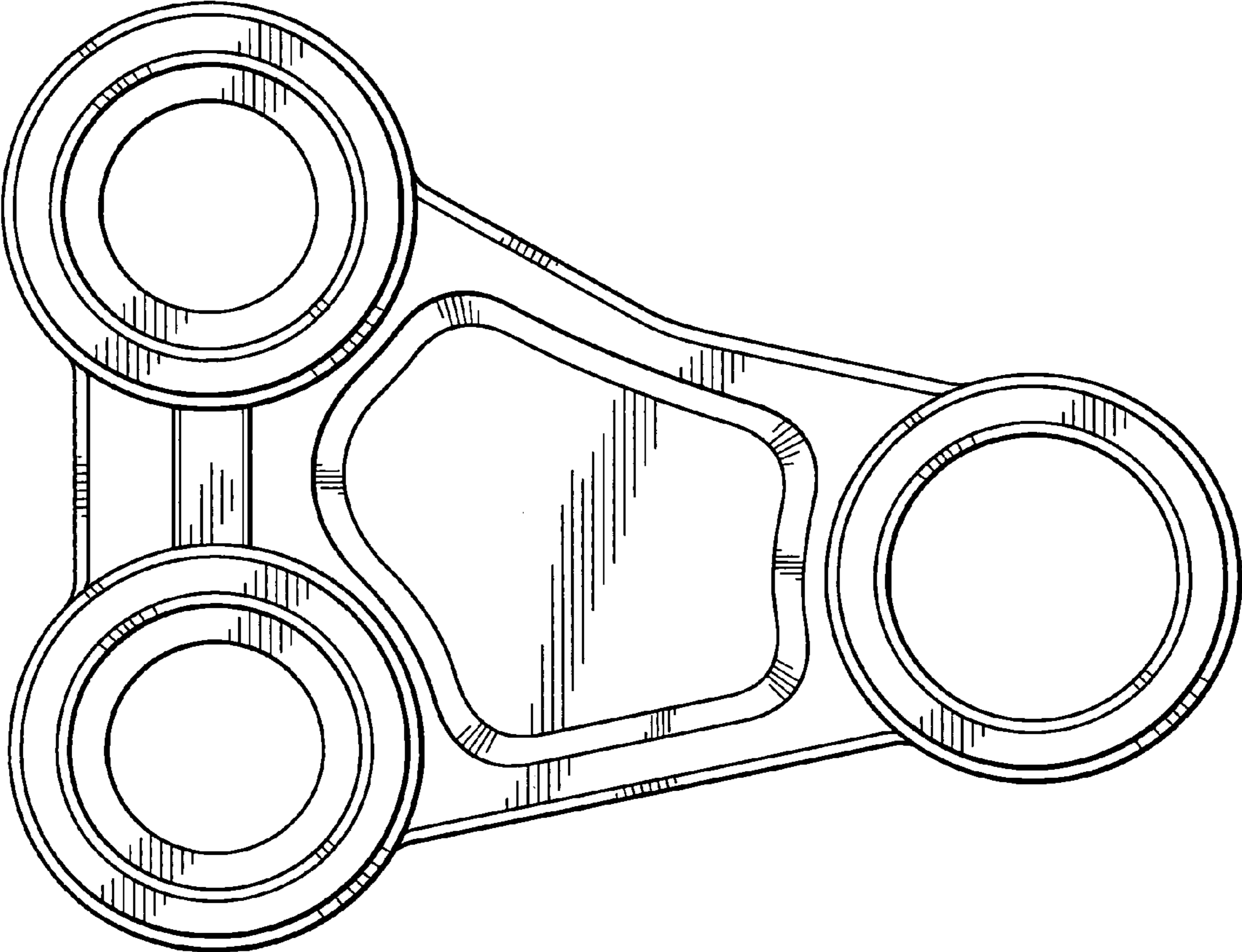


FIG. 4

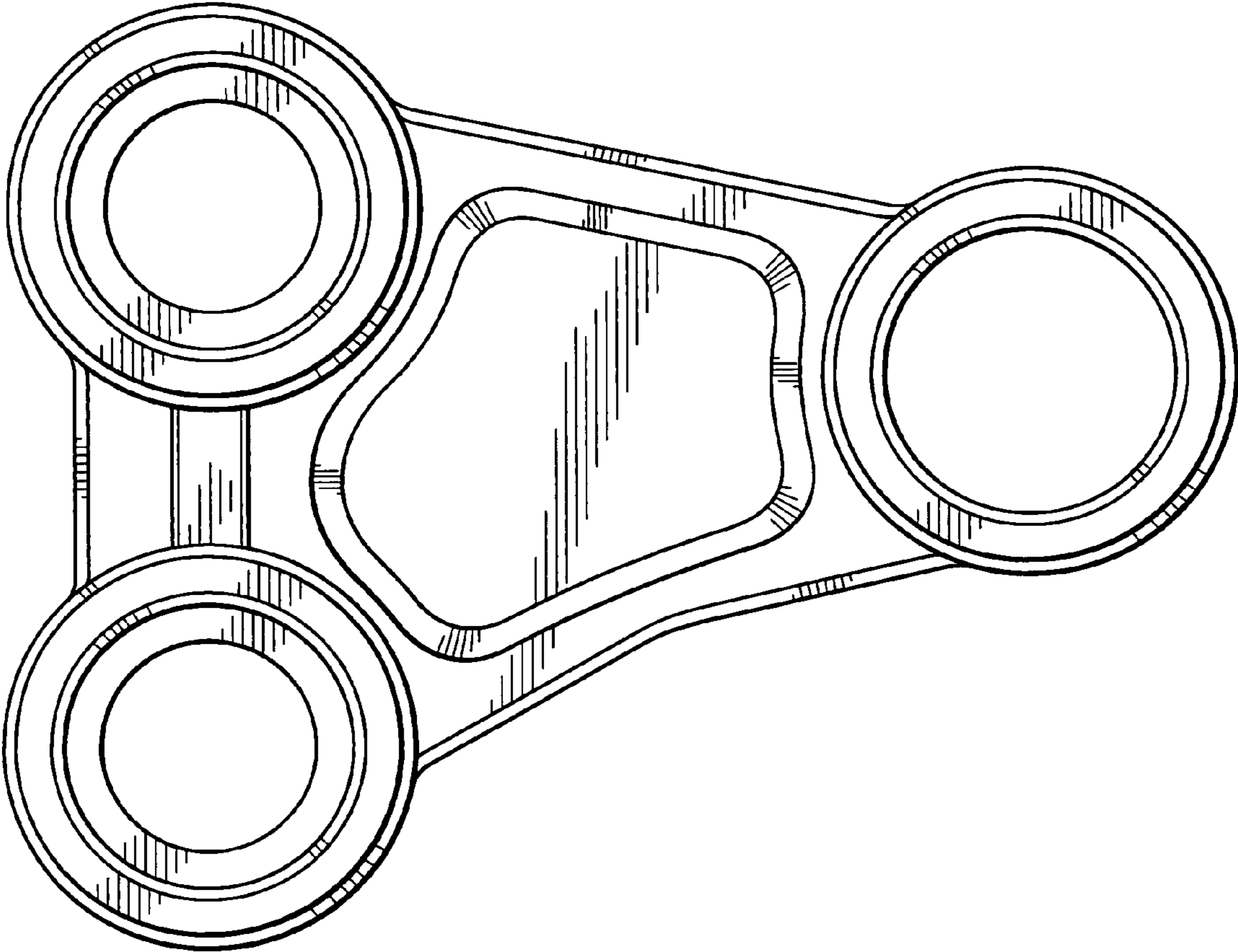


FIG. 5

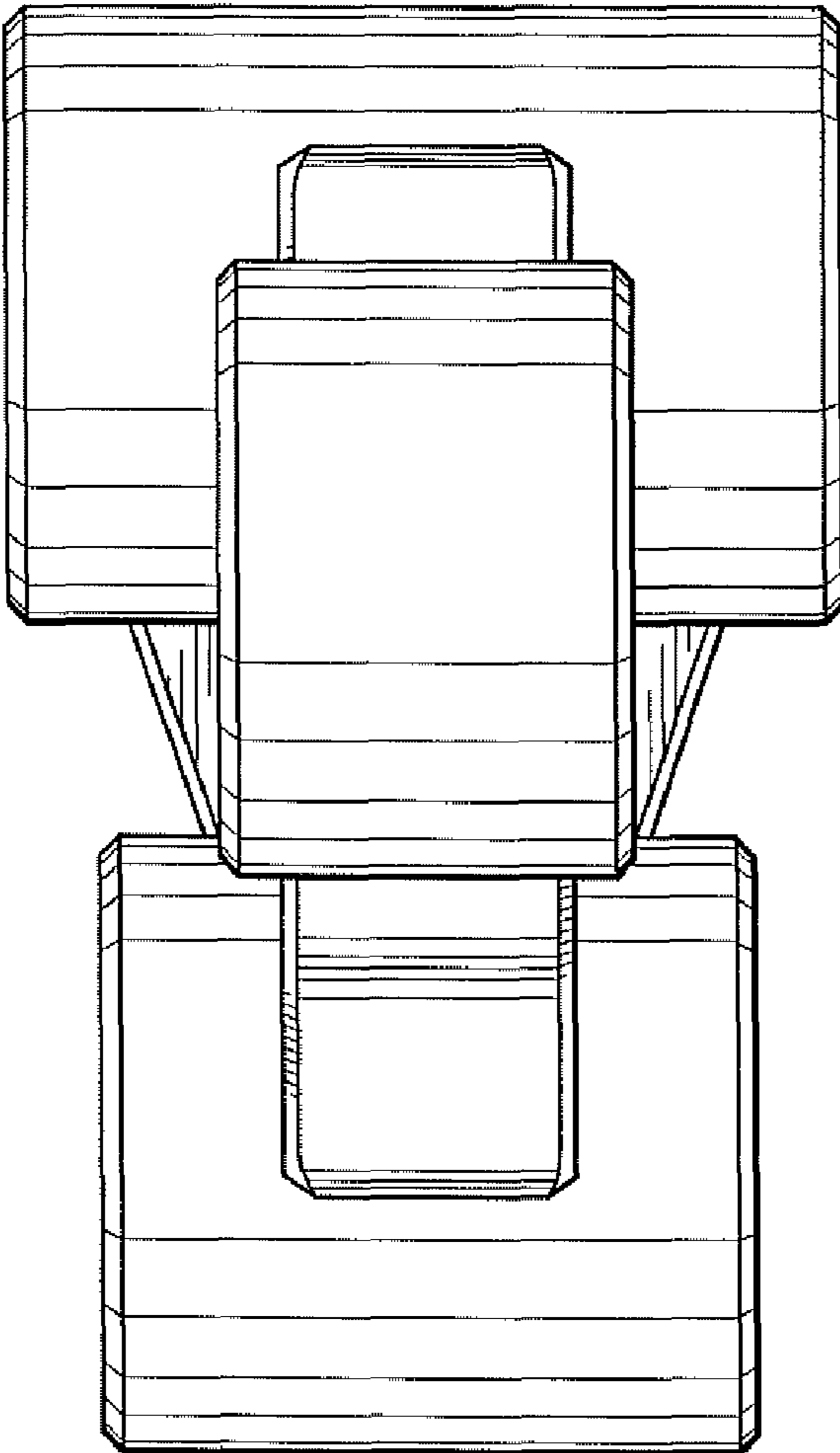


FIG. 6

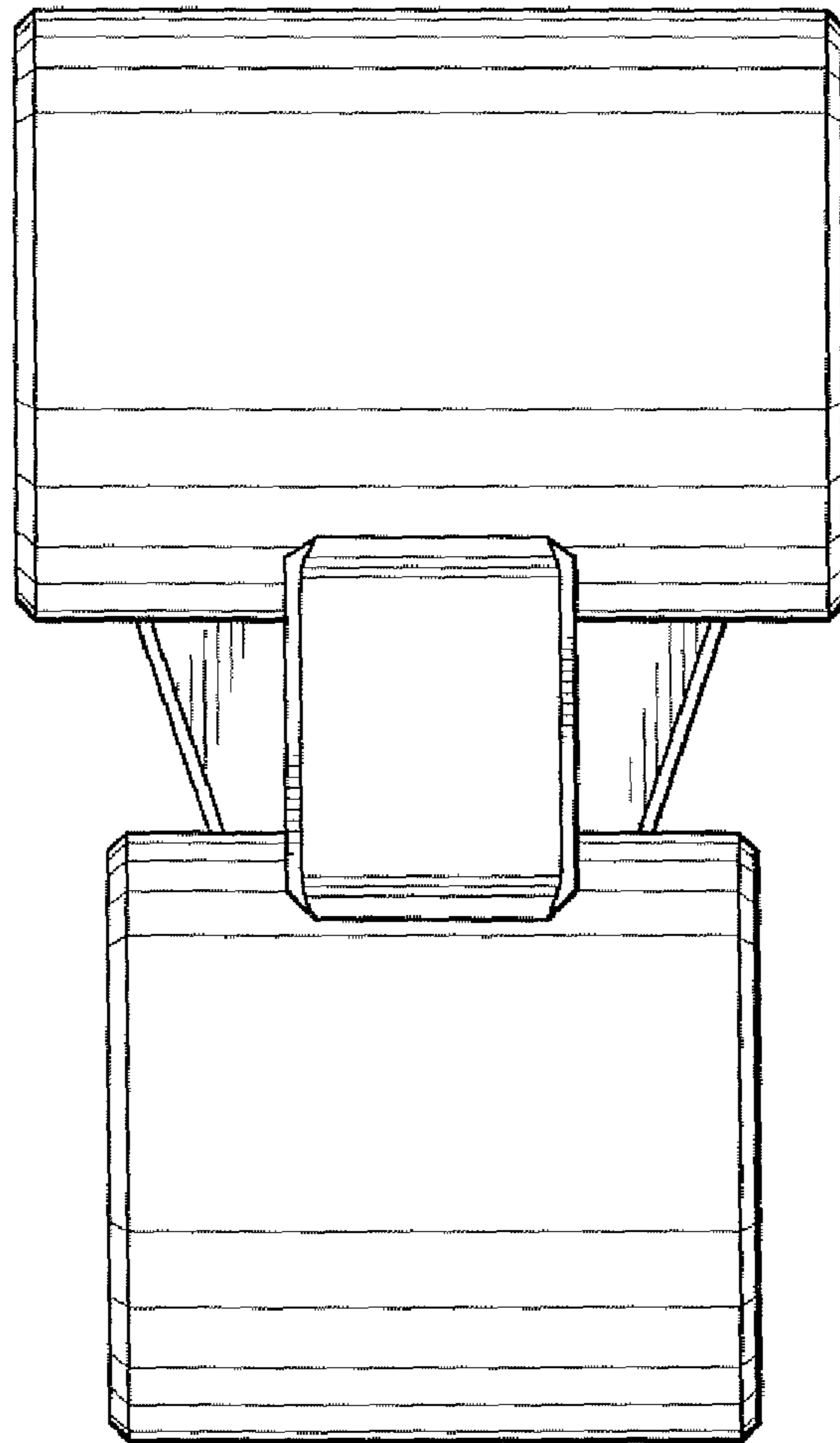


FIG. 7