



US00D631403S

(12) **United States Design Patent**
Knopf

(10) **Patent No.:** **US D631,403 S**

(45) **Date of Patent:** **** Jan. 25, 2011**

(54) **VERTICAL AXLE TUBE WITH SPACER**

(75) Inventor: **Michael Knopf**, Dielheim (DE)

(73) Assignee: **Sunrise Medical HHG Inc.**, Longmont, CO (US)

(**) Term: **14 Years**

(21) Appl. No.: **29/341,284**

(22) Filed: **Aug. 3, 2009**

(51) **LOC (9) Cl.** **12-12**

(52) **U.S. Cl.** **D12/133**

(58) **Field of Classification Search** D12/128-133;
280/62, 647-650, 29, 200, 47.38, 250.1,
280/259, 642, 658; 297/DIG. 4; 296/65.03,
296/65.04; 224/209; 414/921; 135/65-67,
135/74

See application file for complete search history.

(56) **References Cited**

U.S. PATENT DOCUMENTS

1,509,022	A *	9/1924	Noble	403/344
D357,217	S *	4/1995	Shirley	D12/133
5,722,676	A *	3/1998	Wu	280/250.1
D413,842	S *	9/1999	Garven, Jr.	D12/133
D423,994	S *	5/2000	Helwig	D12/133
6,382,652	B1 *	5/2002	Cheng	280/293

D480,195	S *	9/2003	Koerlin et al.	D34/27
D495,629	S *	9/2004	Chelgren	D12/133
D506,419	S *	6/2005	Coster	D12/133
D526,950	S *	8/2006	Bareket	D12/223
D573,861	S *	7/2008	Hammer et al.	D8/72

* cited by examiner

Primary Examiner—Ian Simmons

Assistant Examiner—Charles D Hanson

(74) *Attorney, Agent, or Firm*—MacMillan, Sobanski & Todd, LLC

(57) **CLAIM**

The ornamental design for a vertical axle tube with spacer, as shown and described.

DESCRIPTION

FIG. 1 is a left side perspective view of a first embodiment vertical axle tube with spacer according to the design;

FIG. 2 is a right side perspective view thereof;

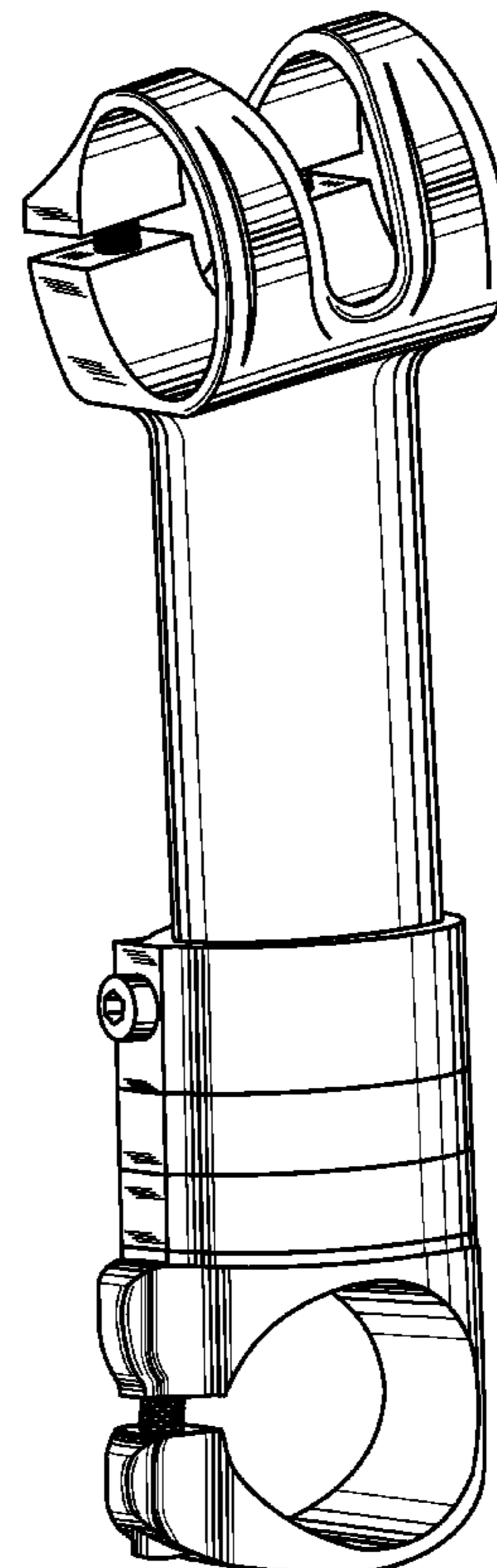
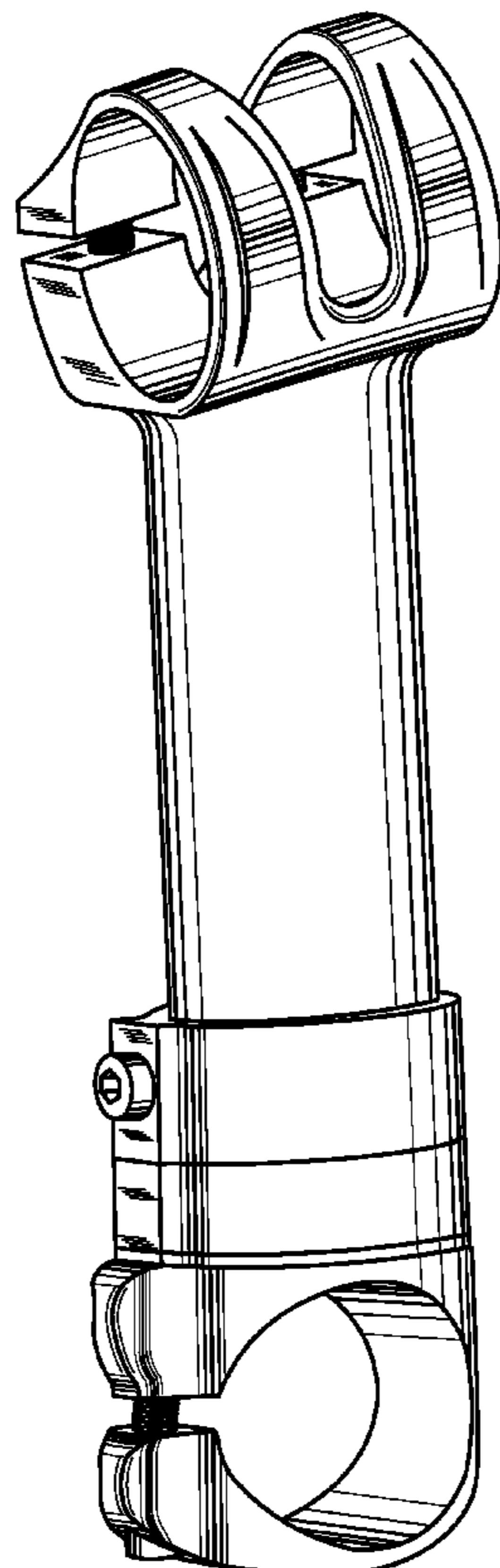
FIG. 3 is a left side perspective view of a second embodiment vertical axle tube with spacer according to the design;

FIG. 4 is a right side perspective view thereof;

FIG. 5 is a left side perspective view of a third embodiment vertical axle tube with spacer according to the design; and,

FIG. 6 is a right side perspective view thereof.

1 Claim, 6 Drawing Sheets



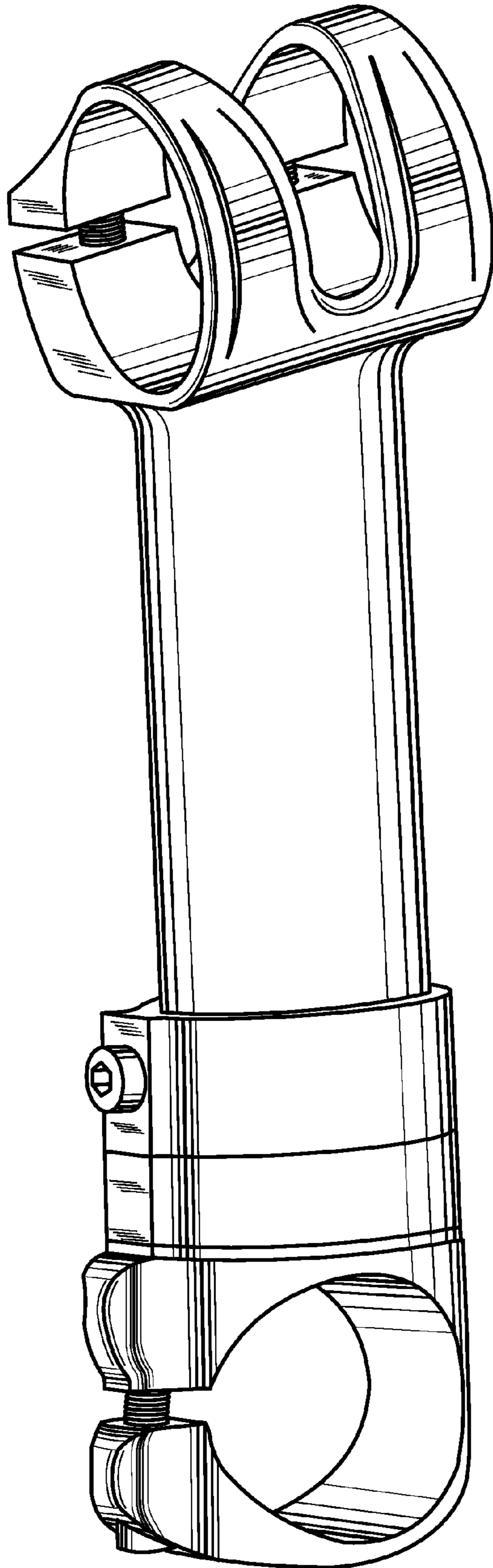
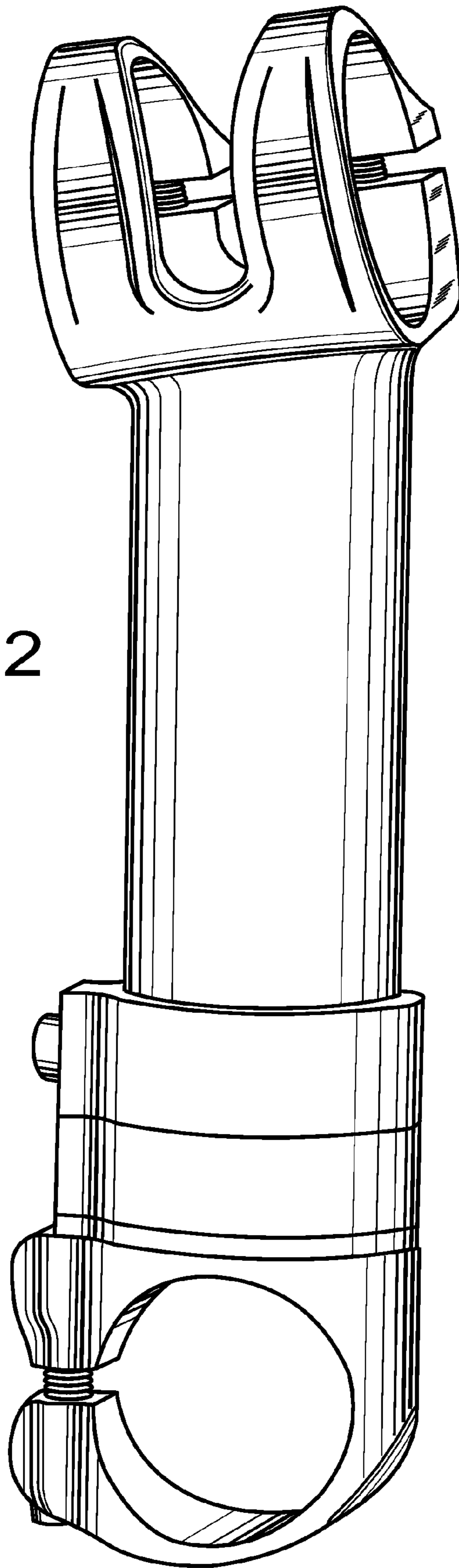


FIG. 1



—FIG. 2

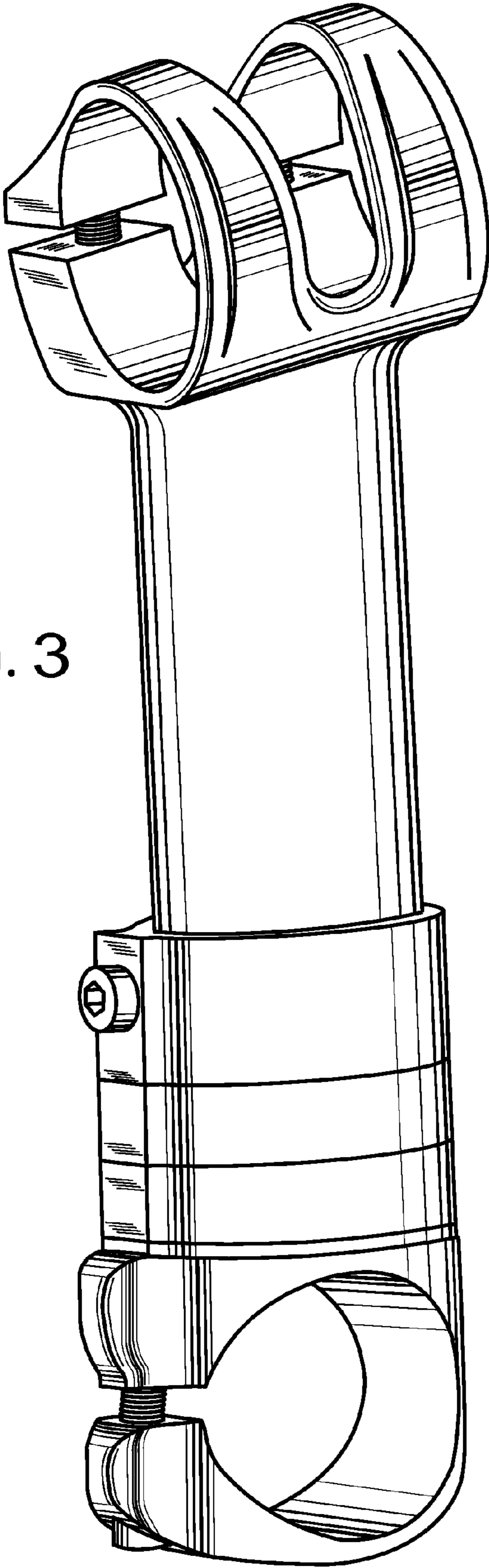


FIG. 3

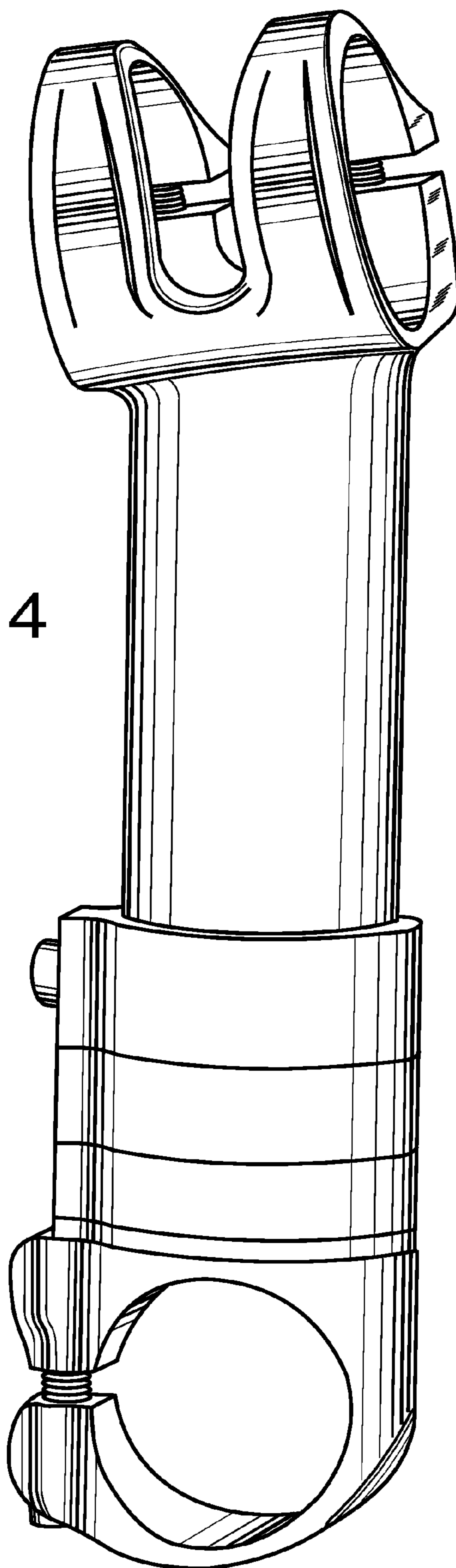
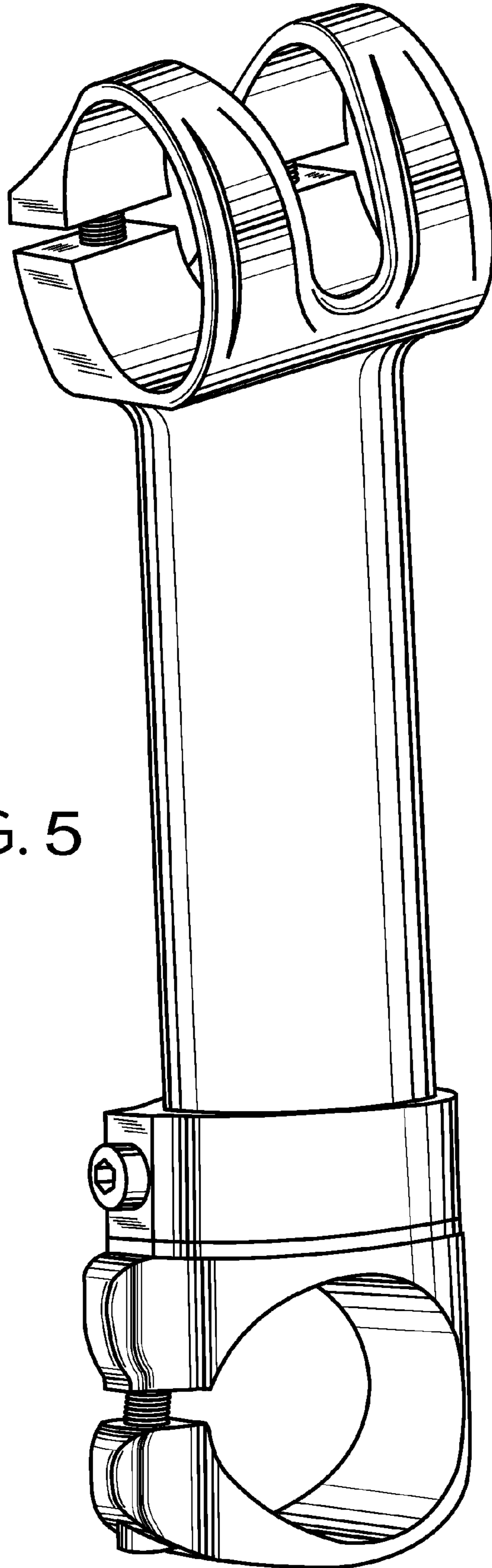
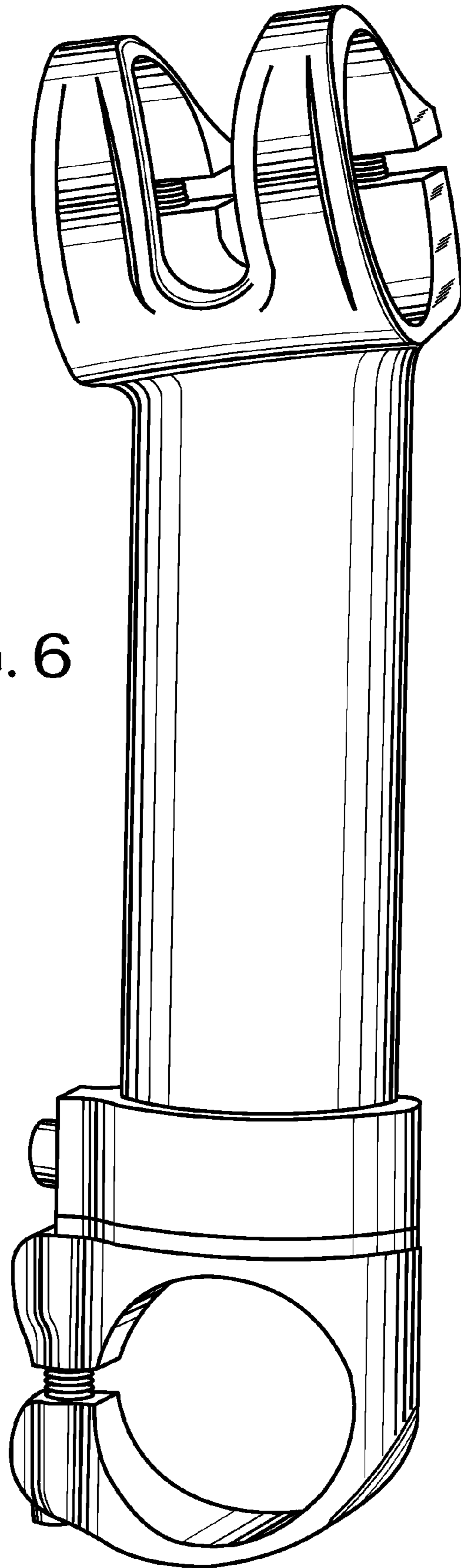


FIG. 4



— FIG. 5



—FIG. 6

UNITED STATES PATENT AND TRADEMARK OFFICE
CERTIFICATE OF CORRECTION

PATENT NO. : D631,403 S
APPLICATION NO. : 29/341284
DATED : January 25, 2011
INVENTOR(S) : Michael Knopf

Page 1 of 1

It is certified that error appears in the above-identified patent and that said Letters Patent is hereby corrected as shown below:

On the cover page, after “(22) Filed: Aug. 3, 2009,” insert --(30) Foreign Application Priority Data

Feb. 2, 2009 (EM) 001080006-0001--

Signed and Sealed this
Third Day of May, 2011

A handwritten signature in black ink that reads "David J. Kappos". The signature is written in a cursive, slightly slanted style.

David J. Kappos
Director of the United States Patent and Trademark Office