



US00D631395S

(12) **United States Design Patent**
Tandrup et al.

(10) **Patent No.:** **US D631,395 S**
(45) **Date of Patent:** **** *Jan. 25, 2011**

(54) **UTILITY VEHICLE**

(75) Inventors: **Matthew D. Tandrup**, Chanhassen, MN
(US); **Richard E. Eck**, Minneapolis, MN
(US)

(73) Assignee: **Polaris Industries Inc.**, Medina, MN
(US)

(**) Term: **14 Years**

(21) Appl. No.: **29/317,885**

(22) Filed: **May 8, 2008**

(51) **LOC (9) Cl.** **12-13**
(52) **U.S. Cl.** **D12/14**
(58) **Field of Classification Search** D12/87,
D12/86, 1, 433, 15, 16, 107, 82, 88, 89, 90,
D12/91, 92, 93; D15/30; D21/803; 180/233,
180/908; 280/DIG. 5, 183, 184, 185, 186,
280/28, 37.7

See application file for complete search history.

(56) **References Cited**

U.S. PATENT DOCUMENTS

D119,377 S 3/1940 Cadwallader
3,048,233 A 8/1962 Crain et al.
3,734,219 A 5/1973 Christensen et al.
4,010,975 A 3/1977 Horton
4,671,521 A 6/1987 Talbot et al.
D312,441 S 11/1990 Guelfi et al.
5,038,582 A 8/1991 Takamatsu
5,076,383 A 12/1991 Inoue et al.
5,195,607 A 3/1993 Shimada et al.
5,253,730 A 10/1993 Hayashi et al.
D354,264 S 1/1995 McCoy
5,473,990 A 12/1995 Anderson et al.
D373,099 S 8/1996 Molzon et al.
5,653,304 A 8/1997 Renfroe
D391,911 S 3/1998 Lagaay et al.
5,921,343 A 7/1999 Yamakaji
D414,735 S 10/1999 Gerisch et al.
D421,934 S 3/2000 Hunter et al.
6,095,275 A 8/2000 Shaw

6,098,739 A 8/2000 Anderson et al.
6,202,993 B1 3/2001 Wilms et al.
D461,151 S 8/2002 Morris
D467,200 S 12/2002 Luo et al.
D472,193 S 3/2003 Sinkwitz
6,547,224 B2 4/2003 Jensen et al.

(Continued)

FOREIGN PATENT DOCUMENTS

EP 0575962 12/1993

(Continued)

OTHER PUBLICATIONS

ATV Illustrated, "2009 Honda Big Red," retrieved from <http://www.atvillustrated.com/?q=node/661> on May 20, 2008, 6 pages.

(Continued)

Primary Examiner—T. Chase Nelson
Assistant Examiner—Ania K Dworzecka
(74) *Attorney, Agent, or Firm*—Baker & Daniels LLP

(57) **CLAIM**

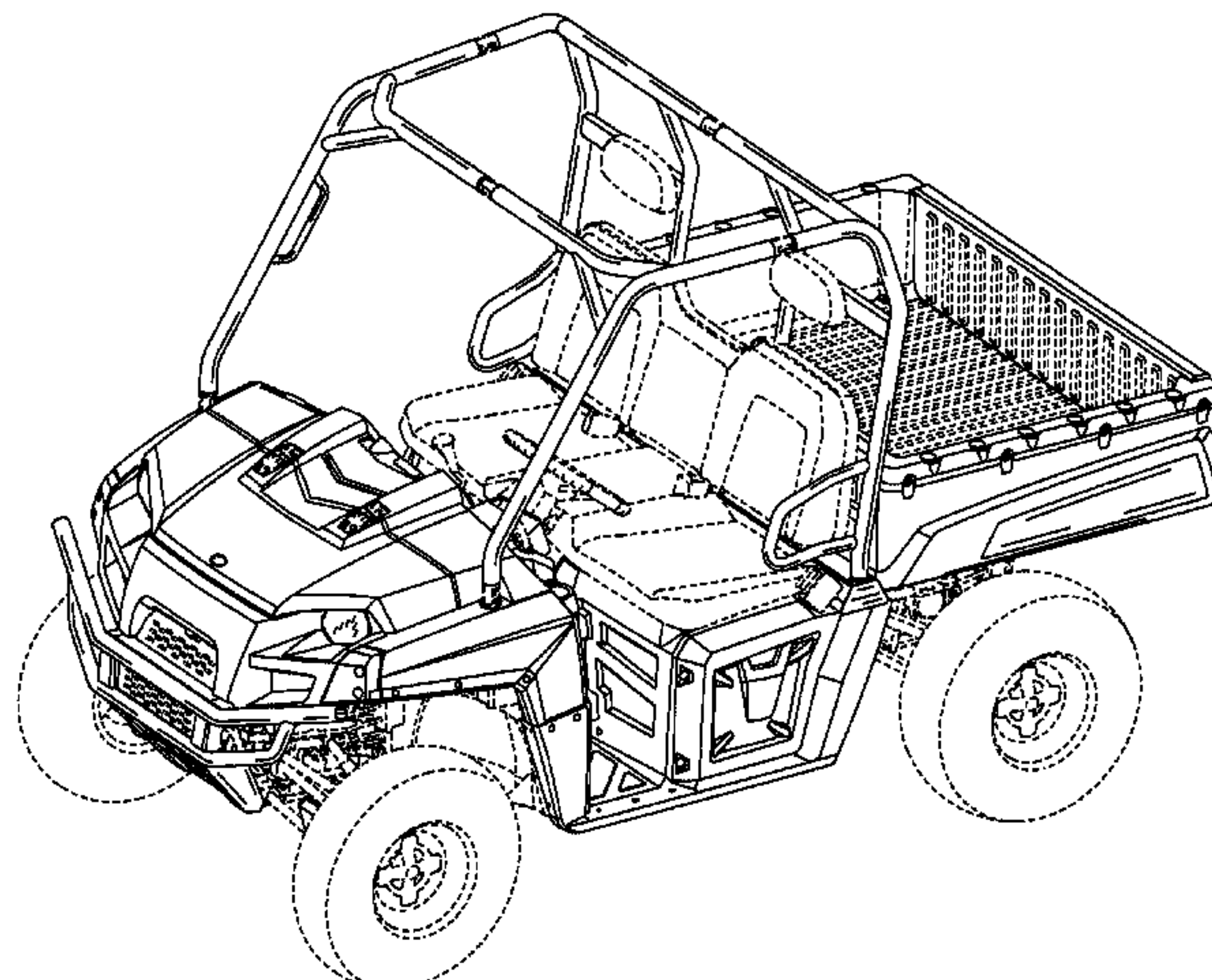
We claim the ornamental design for the utility vehicle, as shown and described.

DESCRIPTION

FIG. 1 is a perspective view of the utility vehicle showing our new design;
FIG. 2 is a left side elevation view;
FIG. 3 is a right side elevation view;
FIG. 4 is a top plan view;
FIG. 5 is a bottom plan view;
FIG. 6 is a front elevation view; and,
FIG. 7 is a rear elevation view.

In the drawings, the broken lines depict unclaimed subject matter only and form no part of the claimed design.

1 Claim, 7 Drawing Sheets



US D631,395 S

Page 2

U.S. PATENT DOCUMENTS

6,553,761	B2	4/2003	Beck	
6,582,002	B2	6/2003	Hogan et al.	
D476,935	S	7/2003	Boyer	
6,725,962	B1	4/2004	Fukuda	
D490,018	S	5/2004	Berg et al.	
6,767,022	B1	7/2004	Chevalier	
D493,749	S	8/2004	Duncan	
D497,324	S	10/2004	Chestnut et al.	
D497,327	S	10/2004	Lai	
D498,435	S *	11/2004	Saito et al.	D12/1
D501,570	S	2/2005	Tandrup et al.	
D503,905	S *	4/2005	Saito et al.	D12/1
D507,766	S	7/2005	McMahan et al.	
D508,224	S	8/2005	Mays et al.	
6,942,050	B1	9/2005	Honkala et al.	
6,966,399	B2	11/2005	Tanigaki et al.	
6,978,857	B2	12/2005	Korenjak	
7,000,931	B1	2/2006	Chevalier	
D519,439	S	4/2006	Dahl et al.	
D521,413	S *	5/2006	Katoh	D12/1
7,055,454	B1	6/2006	Whiting et al.	
7,077,233	B2	7/2006	Hasegawa	
7,213,669	B2	5/2007	Fecteau et al.	
D548,662	S	8/2007	Markefka	
D555,036	S *	11/2007	Eck	D12/87
7,367,247	B2	5/2008	Horiuchi et al.	
7,377,351	B2 *	5/2008	Smith et al.	180/233
D578,433	S *	10/2008	Kawaguchi et al.	D12/14
D578,934	S *	10/2008	Tanaka et al.	D12/14
D586,694	S *	2/2009	Huang et al.	D12/14
D592,998	S *	5/2009	Woodard et al.	D12/14
D595,613	S *	7/2009	Lai et al.	D12/14
D604,201	S *	11/2009	Kawaguchi et al.	D12/14
D610,514	S	2/2010	Eck	
2001/0007396	A1	7/2001	Mizuta	
2001/0013433	A1	8/2001	Szymkowiak	
2003/0132075	A1	7/2003	Drivers	
2004/0153782	A1	8/2004	Fukui et al.	
2004/0195018	A1	10/2004	Inui et al.	
2004/0221669	A1	11/2004	Shimizu et al.	
2004/0226384	A1	11/2004	Shimizu et al.	
2005/0012421	A1	1/2005	Fukuda et al.	
2005/0045414	A1	3/2005	Takagi et al.	
2005/0173177	A1	8/2005	Smith et al.	
2005/0231145	A1	10/2005	Mukai et al.	
2005/0235767	A1	10/2005	Shimizu et al.	
2005/0235768	A1	10/2005	Shimizu et al.	
2005/0242677	A1	11/2005	Akutsu et al.	
2005/0246052	A1	11/2005	Coleman et al.	
2005/0267660	A1	12/2005	Fujiwara et al.	
2006/0022619	A1	2/2006	Koike et al.	
2006/0042862	A1	3/2006	Saito et al.	
2006/0055139	A1	3/2006	Furumi et al.	
2006/0065472	A1	3/2006	Ogawa et al.	
2006/0075840	A1	4/2006	Saito et al.	
2006/0076180	A1	4/2006	Saito et al.	
2006/0162990	A1	7/2006	Saito et al.	
2006/0169525	A1	8/2006	Saito et al.	

2006/0180383	A1	8/2006	Bataille
2006/0180385	A1	8/2006	Yanai et al.
2006/0185741	A1	8/2006	McKee
2006/0185927	A1	8/2006	Sakamoto et al.
2006/0191734	A1	8/2006	Kobayashi
2006/0191735	A1	8/2006	Kobayashi
2006/0191737	A1	8/2006	Kobayashi
2006/0191739	A1	8/2006	Koga
2006/0196721	A1	9/2006	Saito et al.
2006/0196722	A1	9/2006	Makabe et al.
2006/0201270	A1	9/2006	Kobayashi
2006/0207823	A1	9/2006	Okada et al.
2006/0207824	A1	9/2006	Saito et al.
2006/0207825	A1	9/2006	Okada et al.
2006/0208564	A1	9/2006	Yuda et al.
2006/0212200	A1	9/2006	Yanai et al.
2006/0219452	A1	10/2006	Okada et al.
2006/0219469	A1	10/2006	Okada et al.
2006/0219470	A1	10/2006	Imagawa et al.
2006/0288800	A1	12/2006	Mukai et al.
2007/0068726	A1	3/2007	Shimizu
2007/0074588	A1	4/2007	Harata et al.
2007/0074589	A1	4/2007	Harata et al.
2007/0074927	A1	4/2007	Okada et al.
2007/0074928	A1	4/2007	Okada et al.
2007/0095601	A1	5/2007	Okada et al.
2007/0261904	A1	11/2007	Fecteau et al.
2008/0023240	A1	1/2008	Sunsdahl et al.
2008/0023249	A1	1/2008	Sunsdahl et al.
2008/0041335	A1	2/2008	Buchwitz et al.
2008/0053738	A1	3/2008	Kosuge et al.
2008/0284124	A1	11/2008	Brady
2008/0308334	A1	12/2008	Leonard
2009/0000849	A1	1/2009	Leonard
2009/0071737	A1	3/2009	Leonard
2009/0071739	A1	3/2009	Leonard
2009/0091101	A1	4/2009	Leonard
2009/0121518	A1	5/2009	Leonard

FOREIGN PATENT DOCUMENTS

GB	2 316 923	12/1993
GB	2 423 066	8/2003
WO	WO 2007/103197	9/2007
WO	WO 2008/013564	1/2008
WO	WO 2009/096998	6/2009

OTHER PUBLICATIONS

DuneGuide.com, "Product Review 2009 Honda Big Red MUV,"
retrieved from [http://www.duneguide.com/
ProductReview_Honda_BigRed.htm](http://www.duneguide.com/ProductReview_Honda_BigRed.htm) on May 20, 2008, 3 pages.
Welcome to Ranger Country brochure, © 2005, Polaris Industries
Inc., Medina, MN, 24 pages.
Welcome to Ranger Country brochure, © 2006, Polaris Industries
Inc., Medina, MN, 20 pages.
Work/Play Only Ranger brochure, © 2007, Polaris Industries Inc.,
Medina, MN, 28 pages.
Polaris Ranger 2009 brochure, © 2008, Polaris Industries Inc.,
Medina, MN, 32 pages.

* cited by examiner

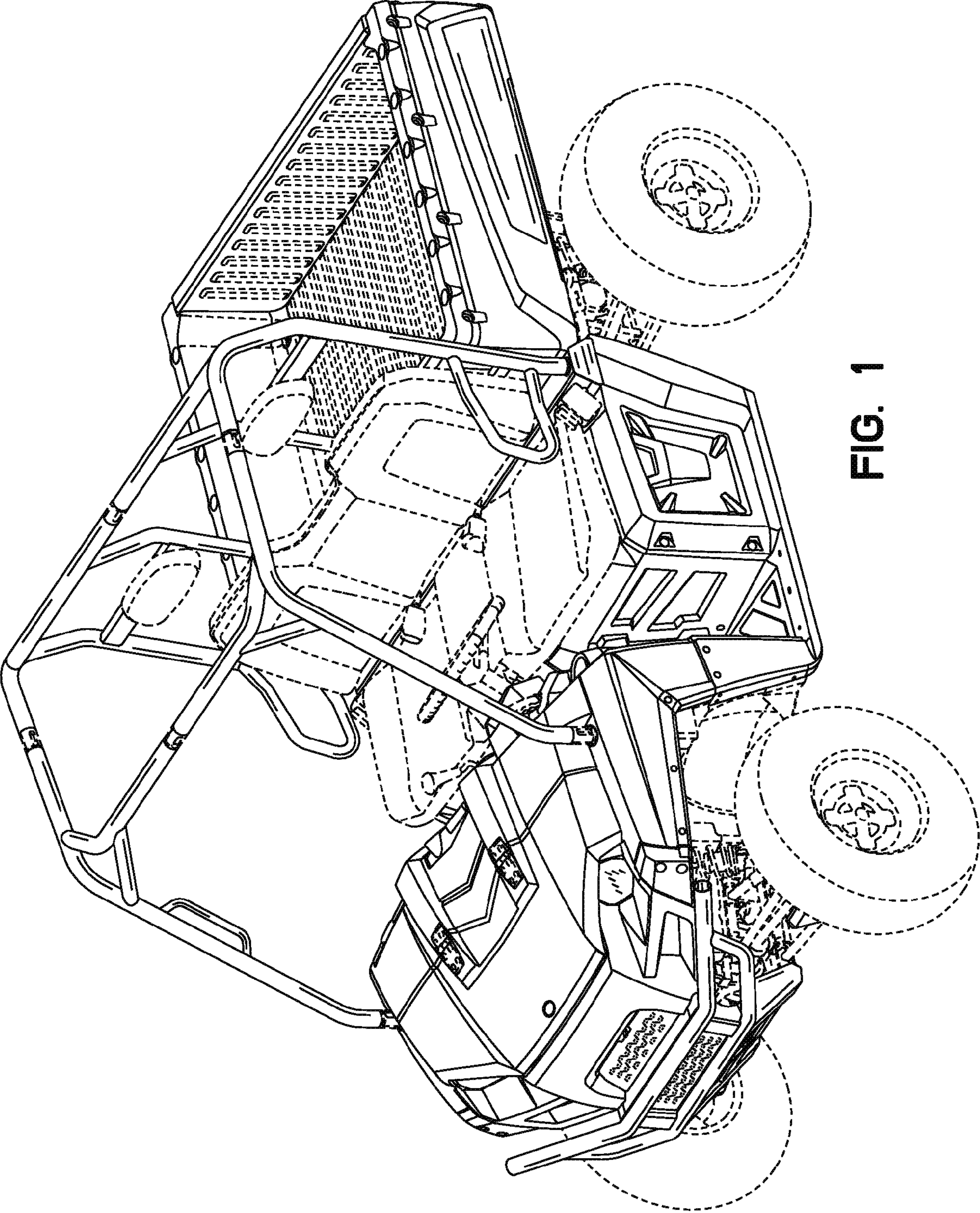
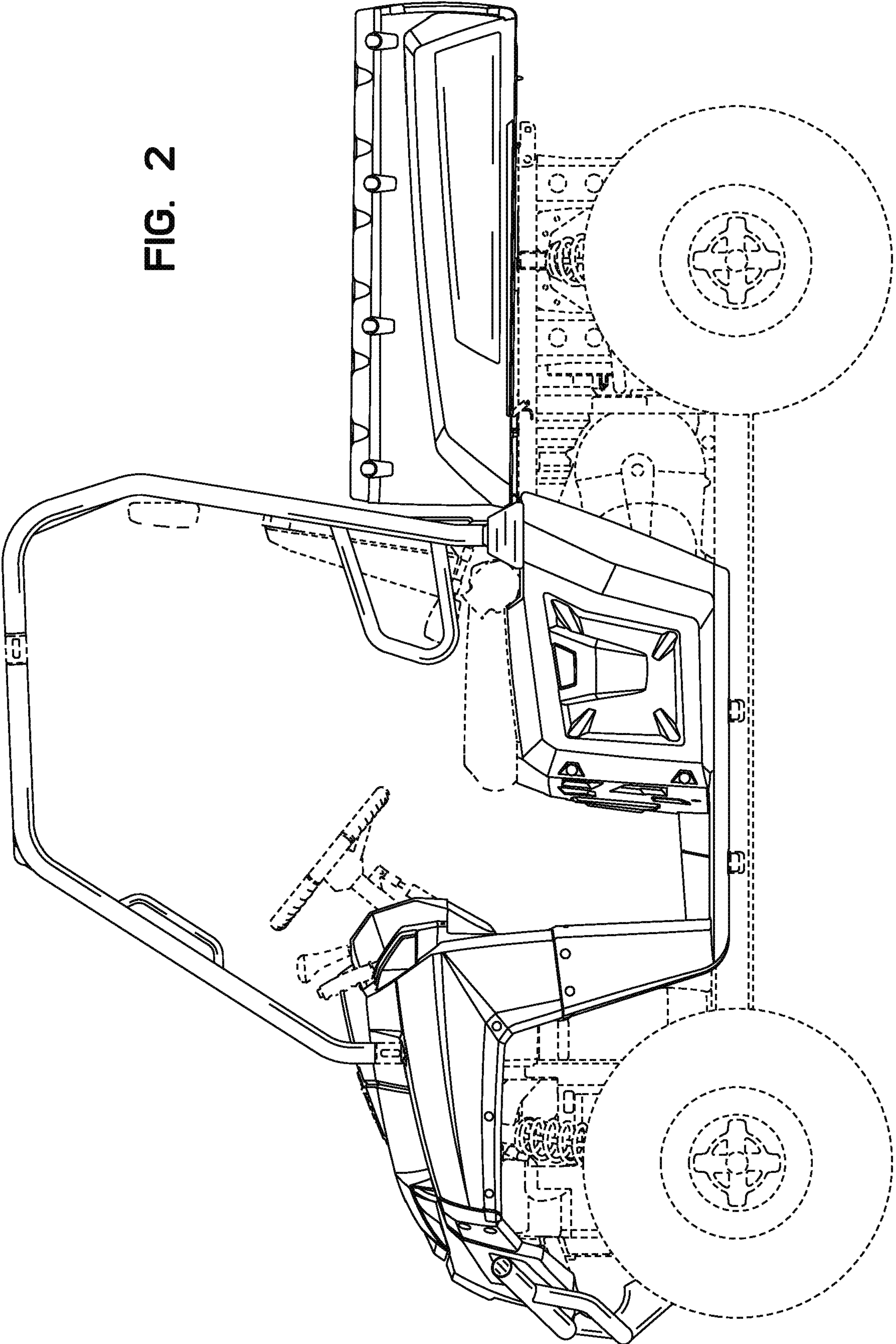


FIG. 1

FIG. 2



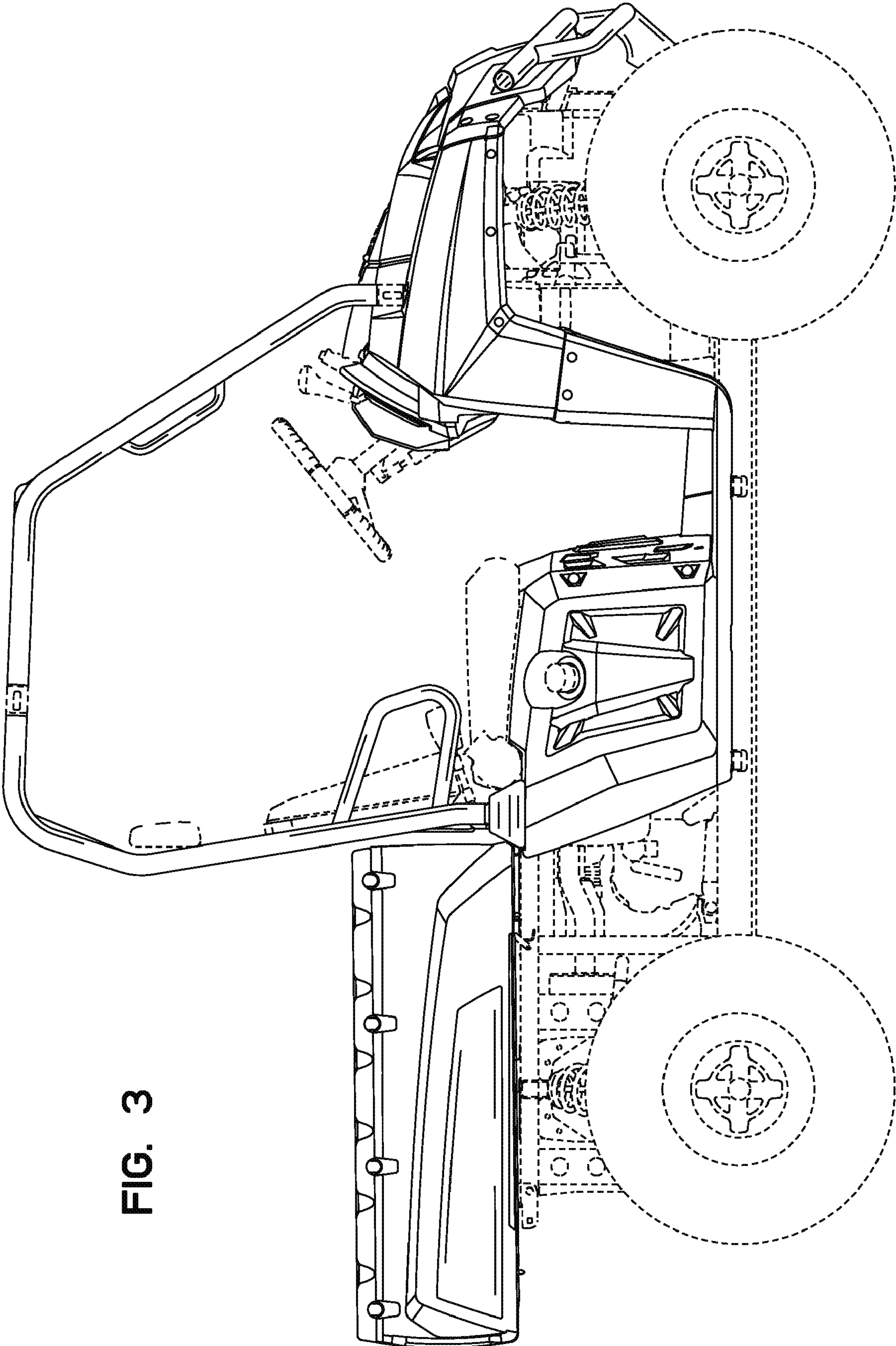


FIG. 3

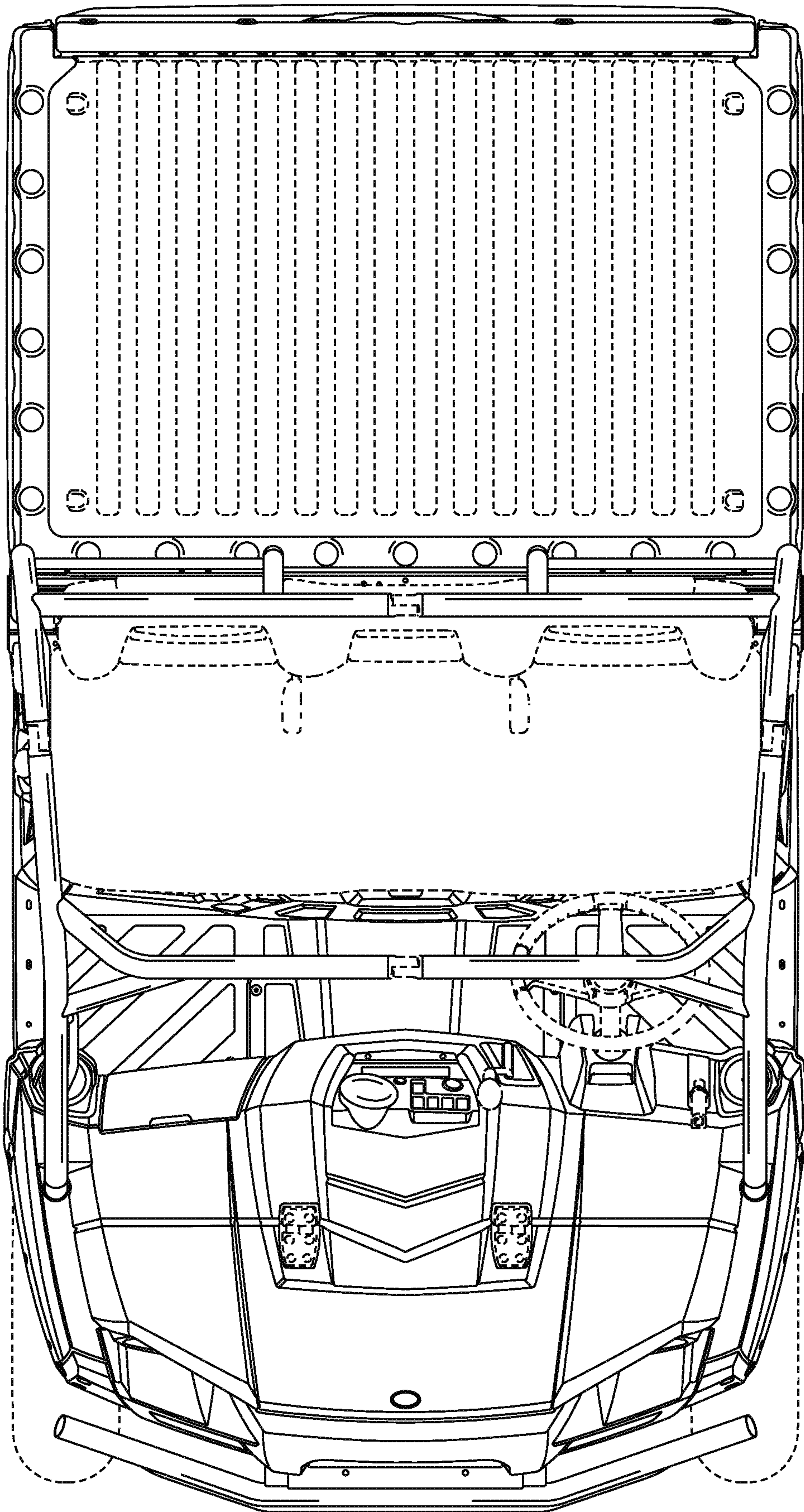


FIG. 4

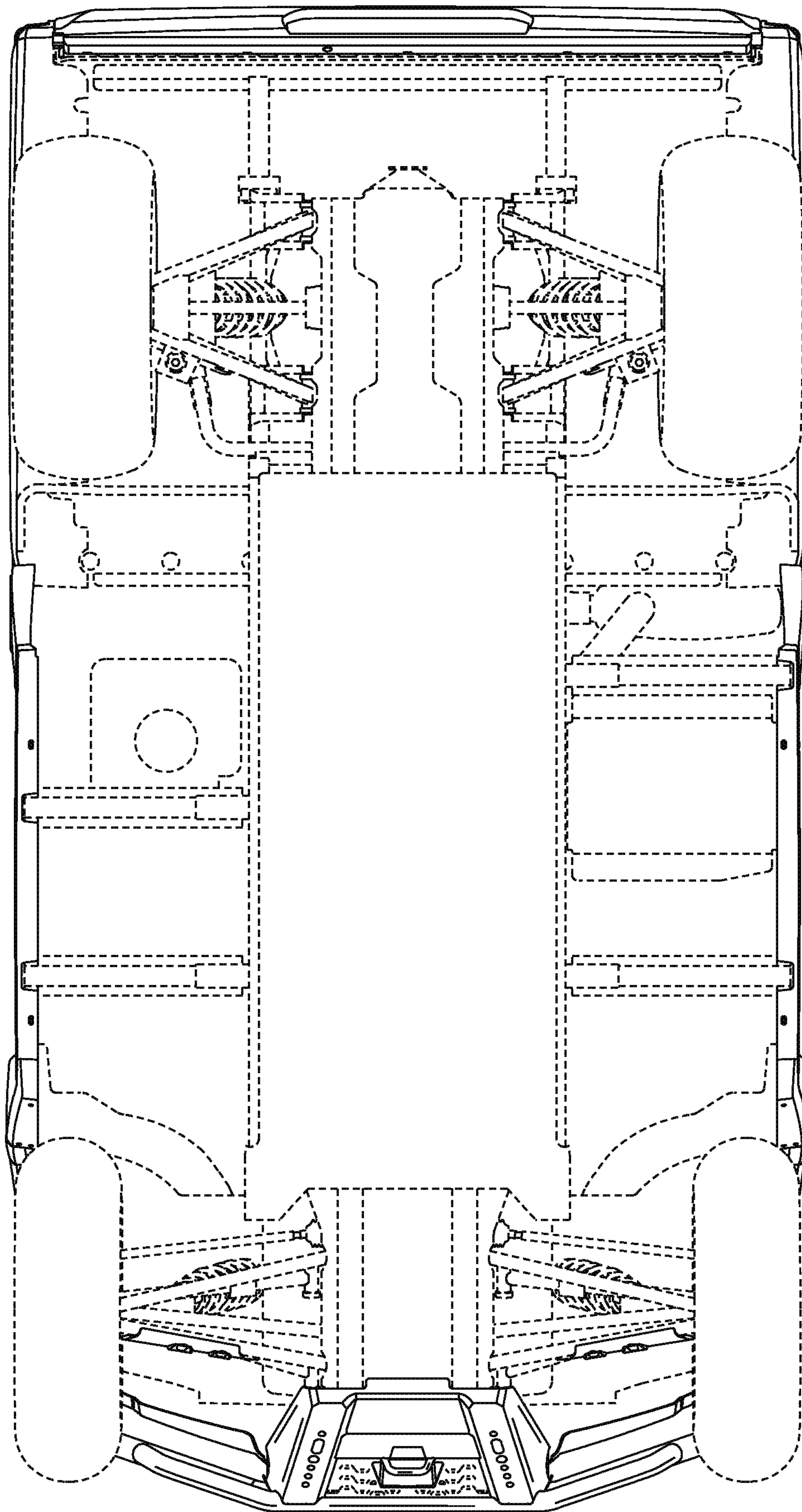


FIG. 5

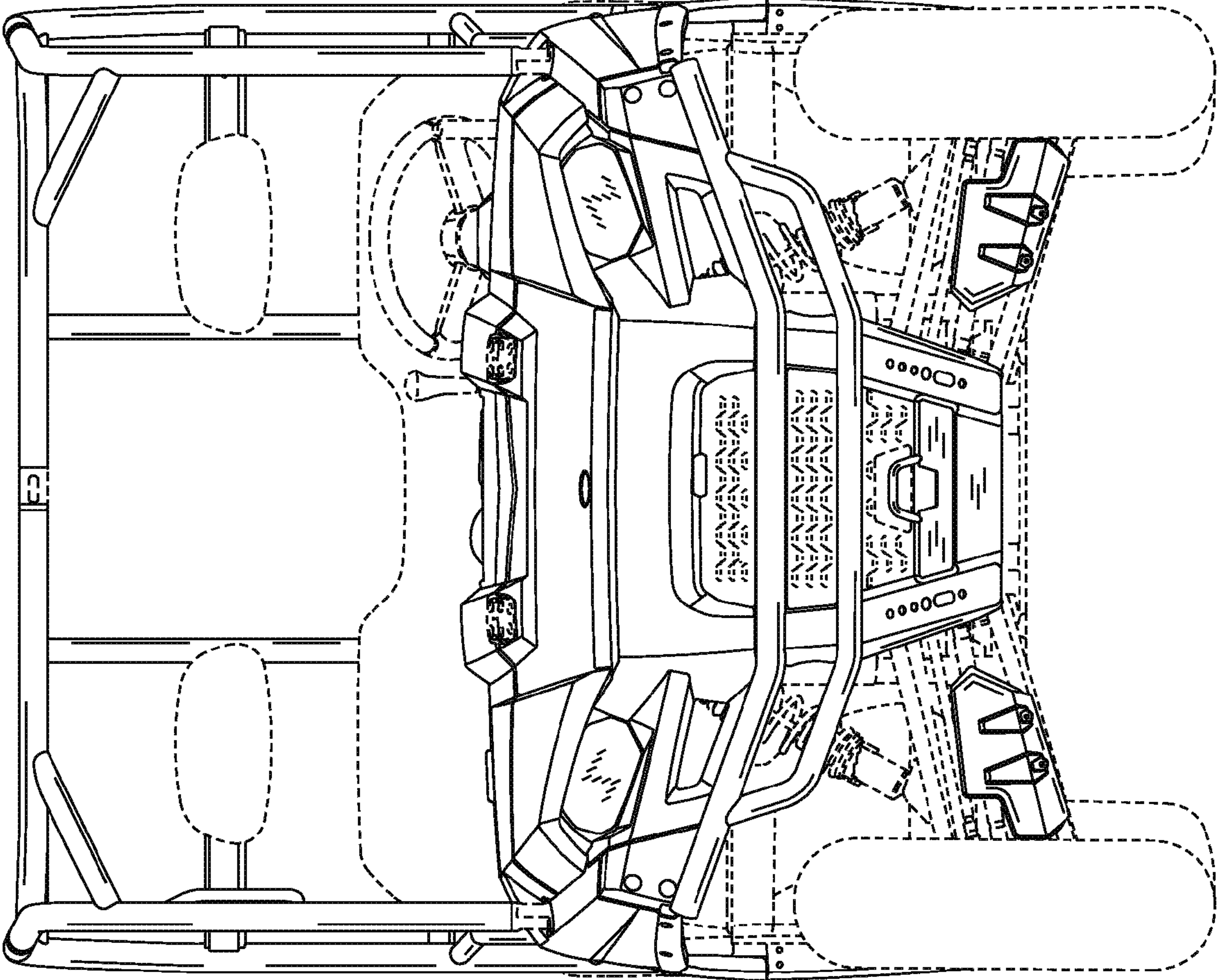


FIG. 6

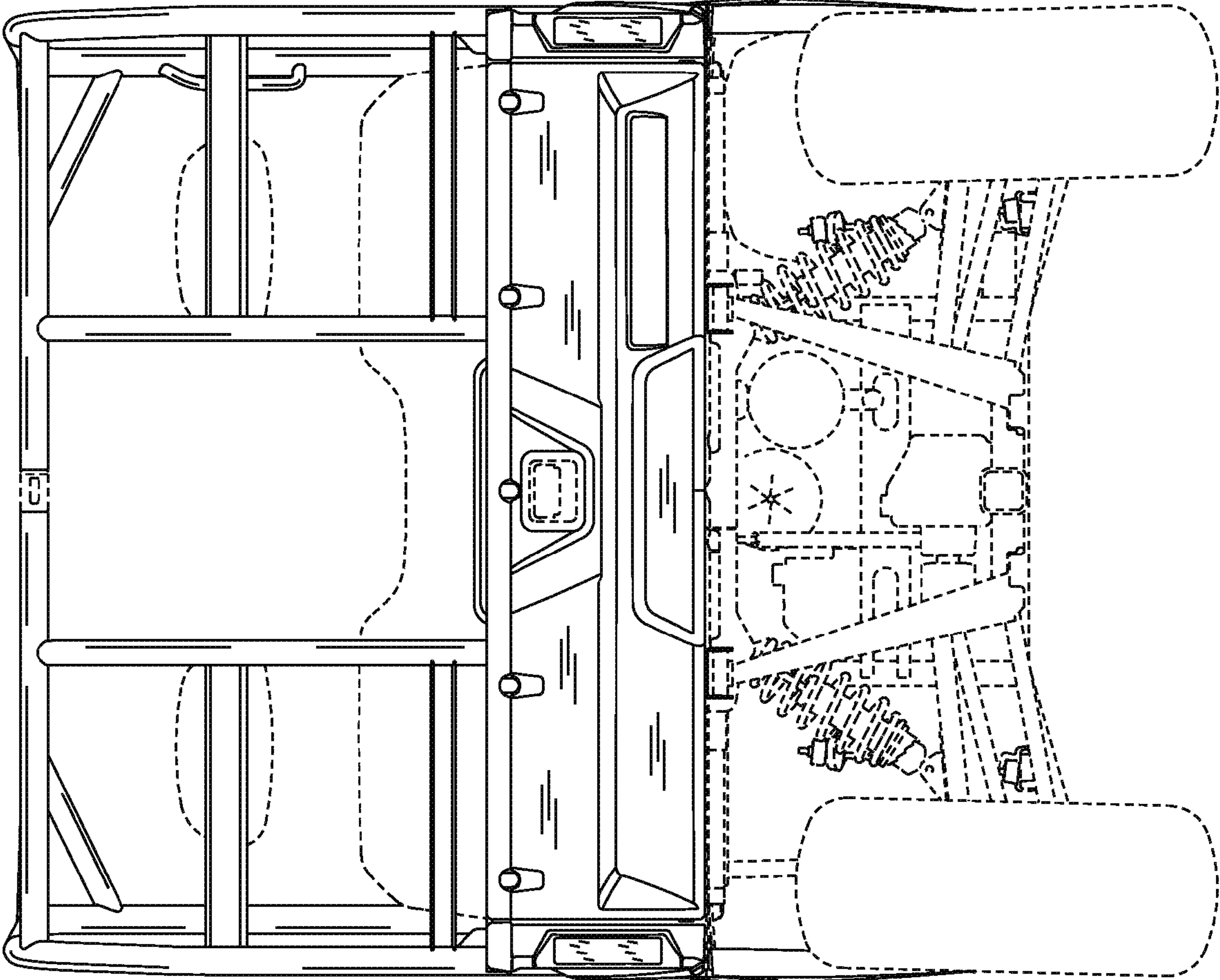


FIG. 7