



US00D631392S

(12) **United States Design Patent**
Lawson

(10) **Patent No.:** **US D631,392 S**

(45) **Date of Patent:** **** *Jan. 25, 2011**

(54) **SIDE RELEASE BUCKLE**

(75) Inventor: **Thomas M. Lawson**, Bentonville, AR (US)

(73) Assignee: **Stout Stuff, LLC**, Bentonville, AR (US)

(**) Term: **14 Years**

(21) Appl. No.: **29/355,274**

(22) Filed: **Feb. 4, 2010**

(51) **LOC (9) Cl.** **02-07**

(52) **U.S. Cl.** **D11/213**

(58) **Field of Classification Search** D11/1-2,
D11/200-201, 206-210, 214-218; 24/163 R,
24/169-171, 173, 177-179, 191, 194-195,
24/197, 200

See application file for complete search history.

(56) **References Cited**

U.S. PATENT DOCUMENTS

4,150,464 A	4/1979	Tracy	
4,672,725 A	6/1987	Kasai	
4,800,629 A	1/1989	Ikeda	
4,831,694 A	5/1989	Kong	
5,222,279 A	6/1993	Frano et al.	
D359,464 S *	6/1995	Grasso et al. D11/216
5,456,213 A	10/1995	Beauchamp	

D421,669 S	3/2000	Moehring	
D433,650 S *	11/2000	Gable D11/200
D519,409 S	4/2006	Sporn	

* cited by examiner

Primary Examiner—Ralf Seifert

(74) *Attorney, Agent, or Firm*—Larkin Hoffman Daly & Lindgren Ltd.; Thomas J. Oppold

(57) **CLAIM**

The ornamental design for a side release buckle, as shown and described.

DESCRIPTION

FIG. 1 is a perspective view of the buckle of the present design.

FIG. 2 is a top plan view of the buckle of FIG. 1.

FIG. 3 is a bottom plan view of the buckle of FIG. 1.

FIG. 4 is a left side elevation view of the buckle of FIG. 1.

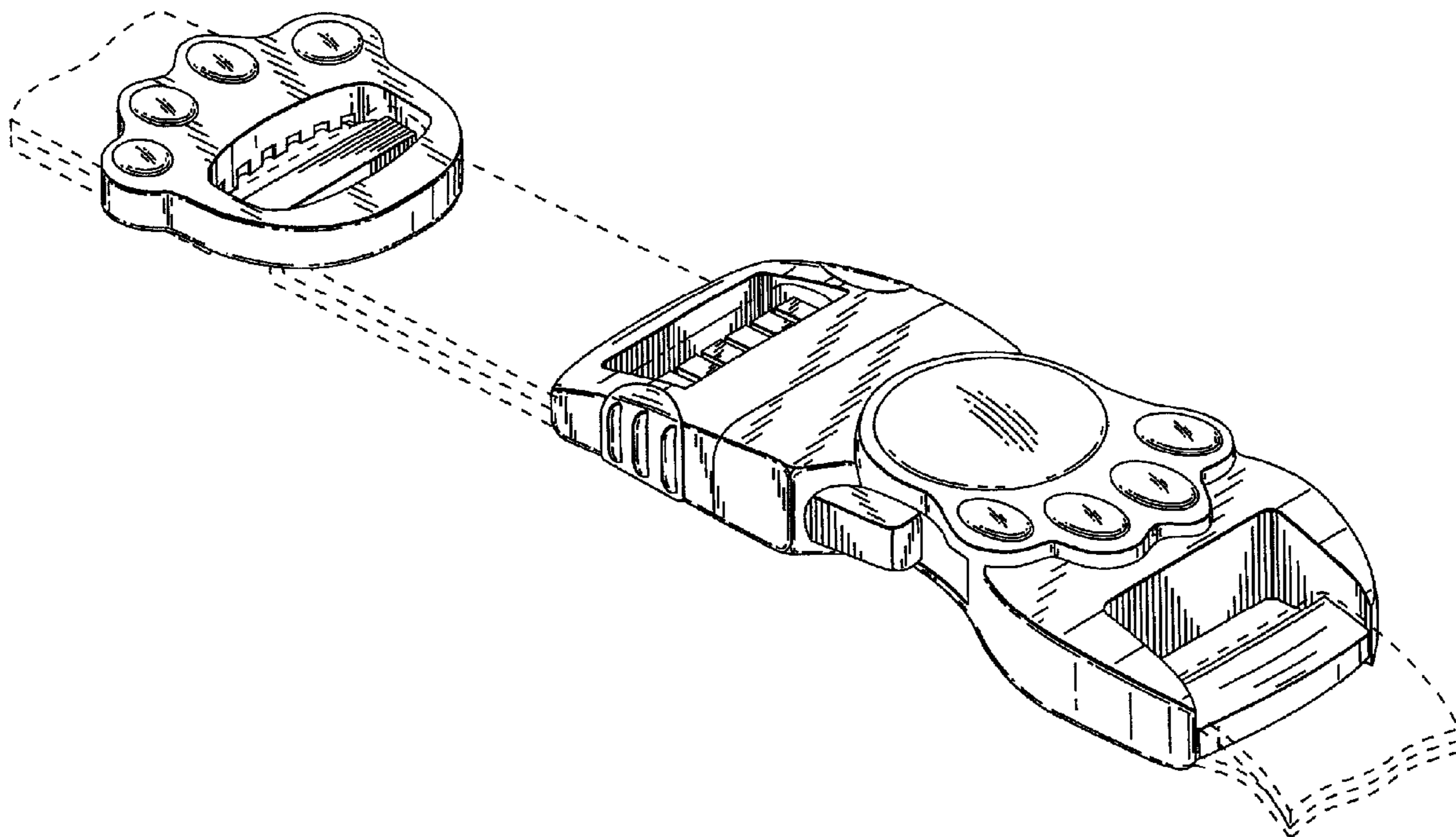
FIG. 5 is a right side elevation view of the buckle of FIG. 1.

FIG. 6 is a front elevation view of the buckle of FIG. 1; and,

FIG. 7 is a rear elevation view of the buckle of FIG. 1.

The broken line showing of a strap is included for the purpose of illustrating environmental matter and forms no part of the claimed design.

1 Claim, 4 Drawing Sheets



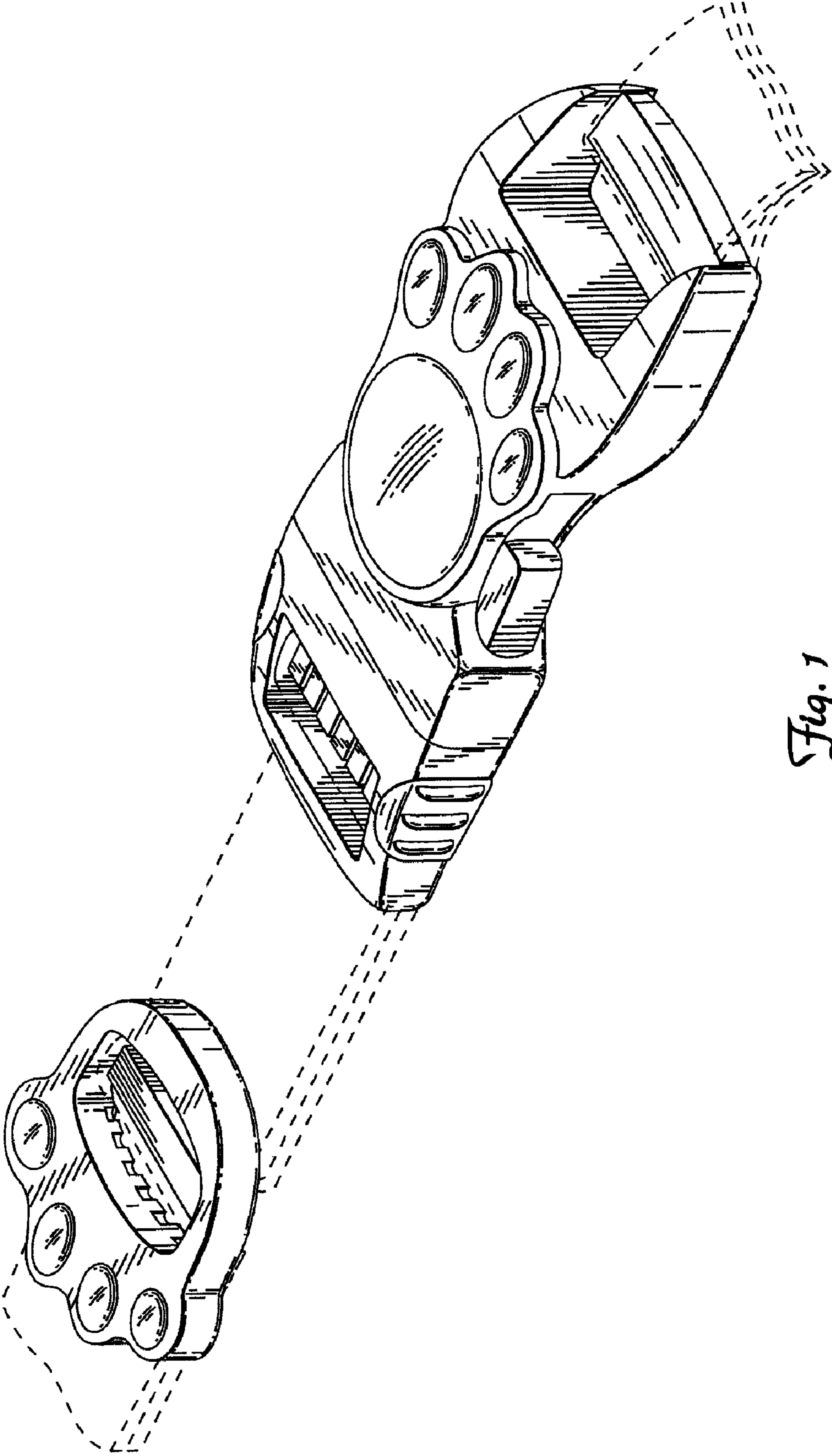


Fig. 1

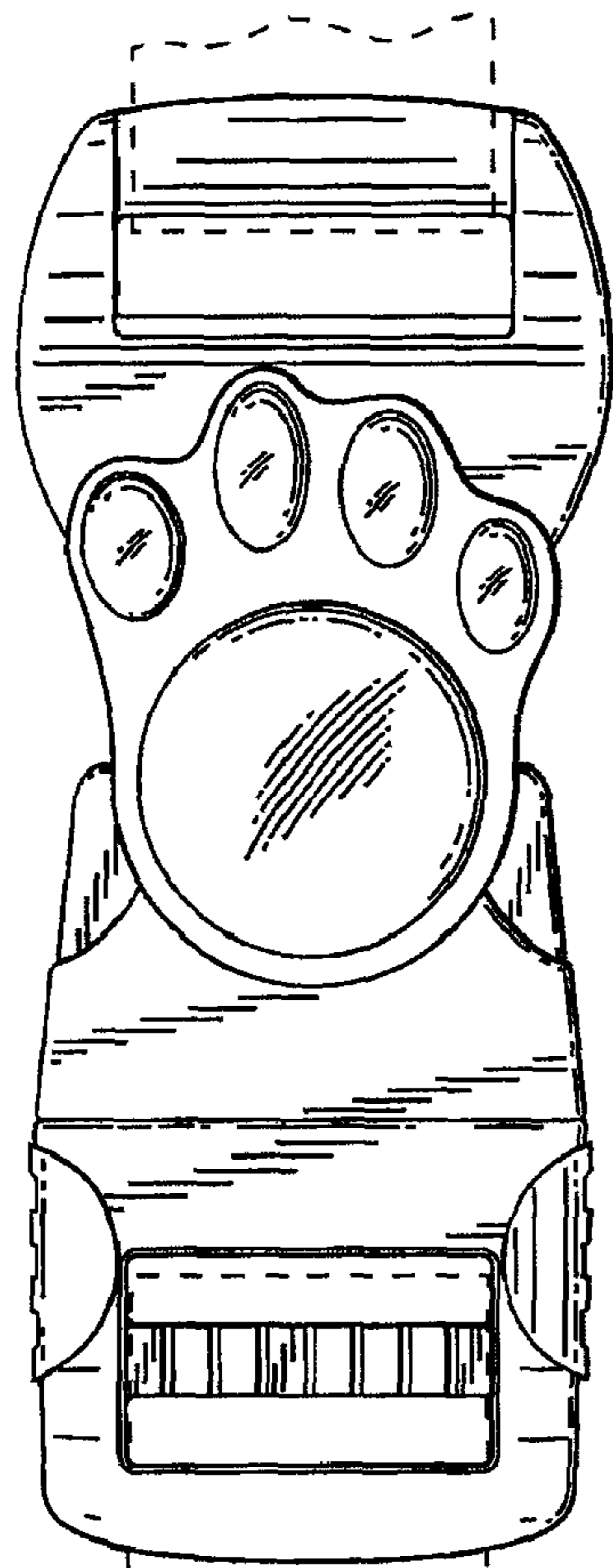


Fig. 2

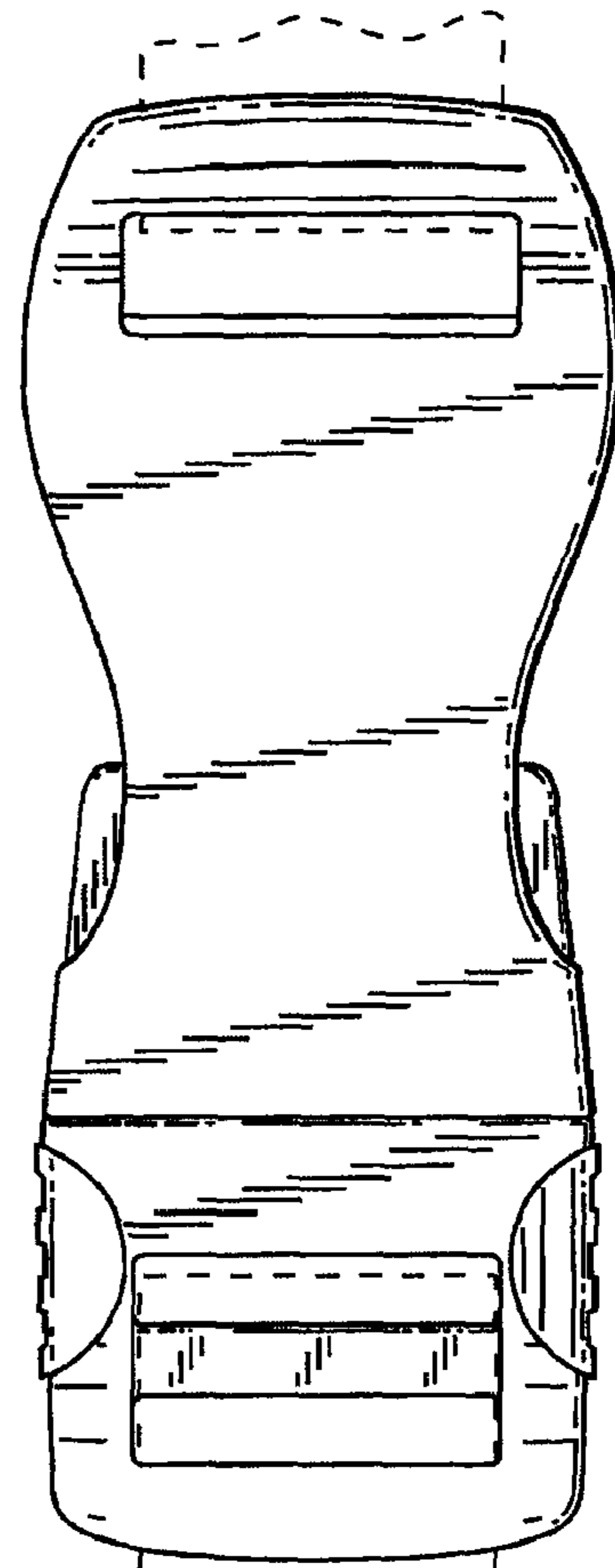
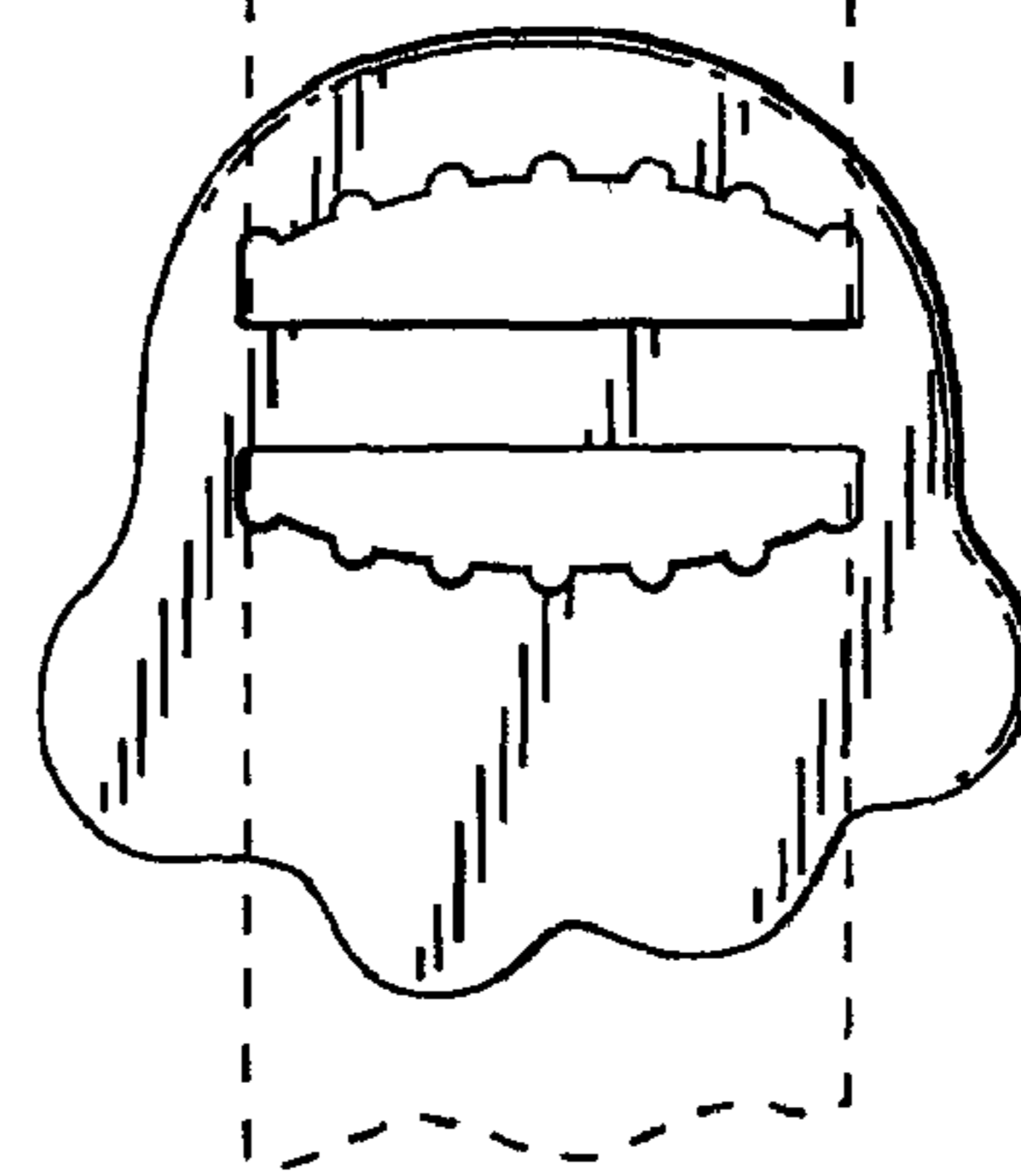
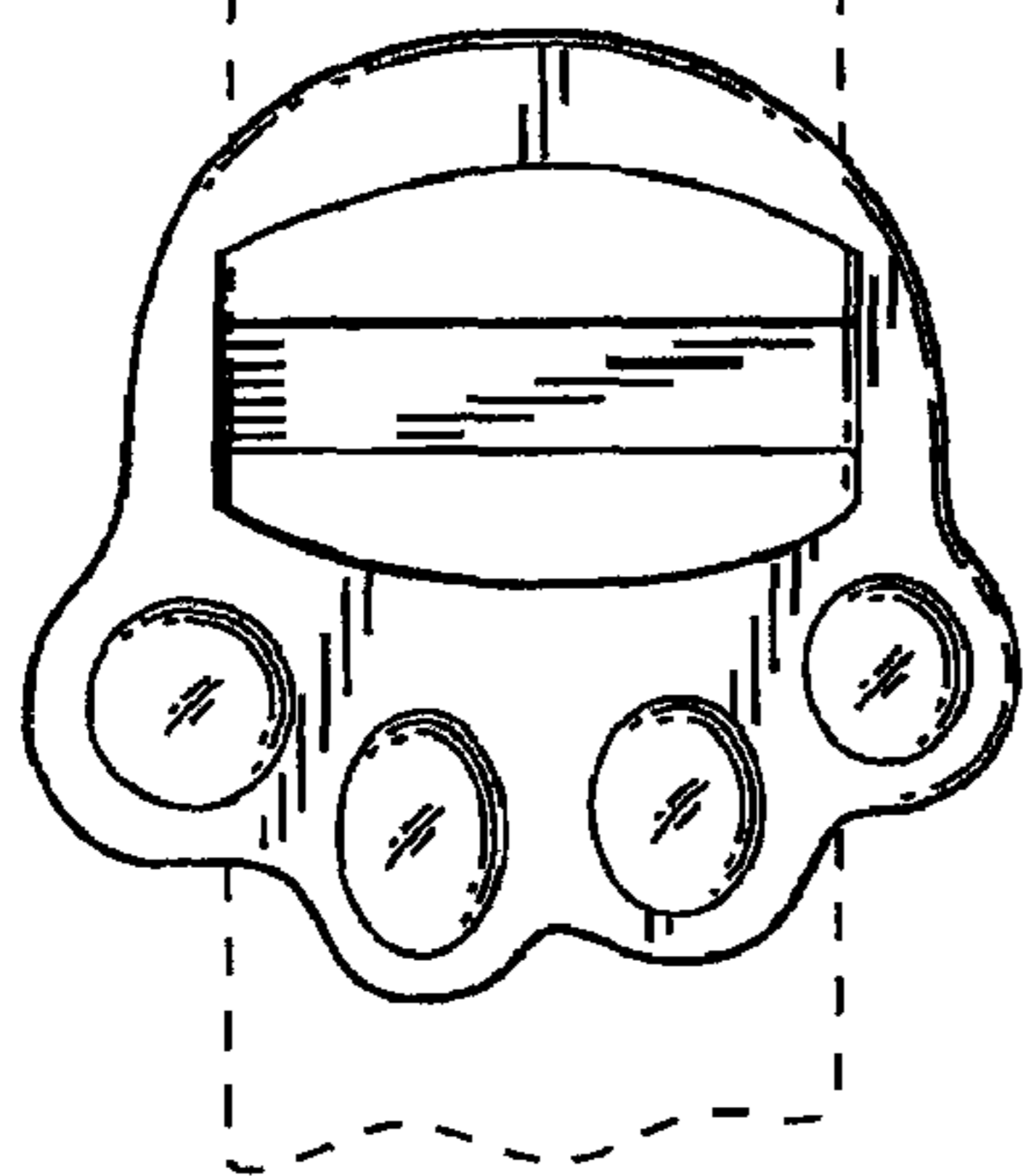
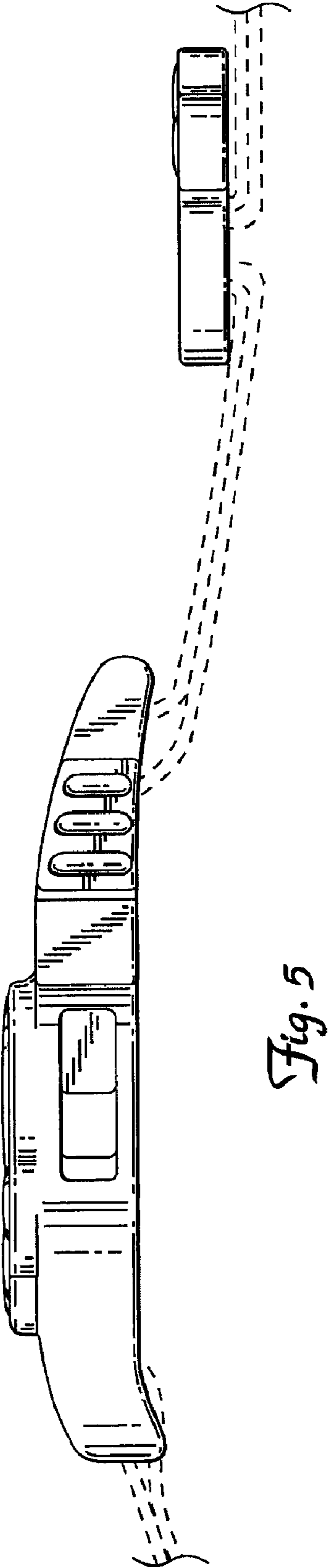
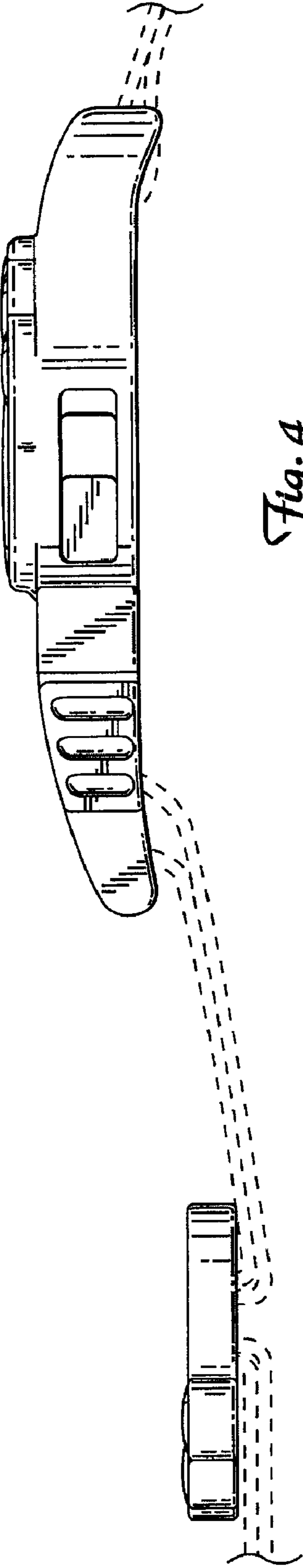


Fig. 3





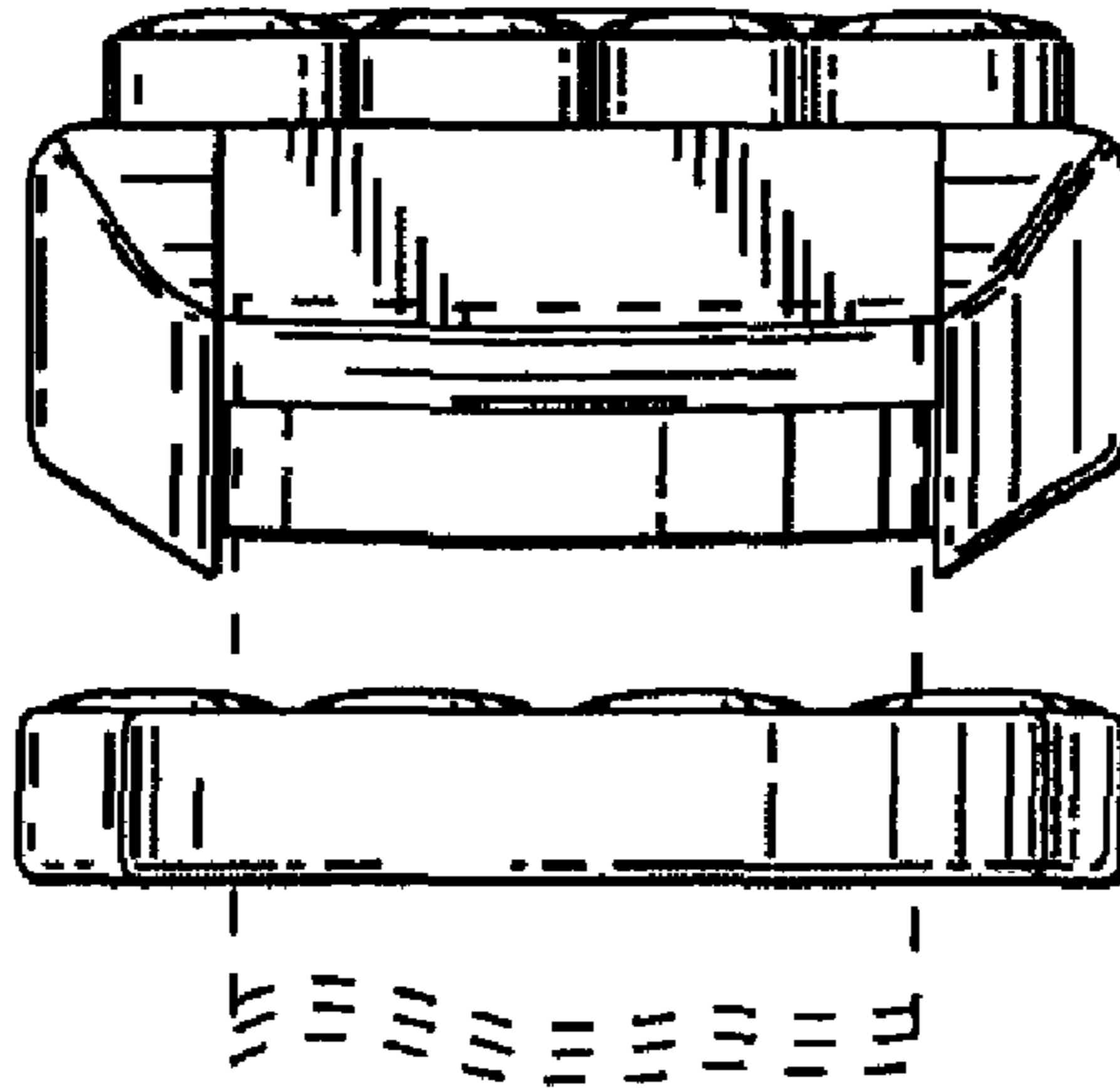


Fig. 6

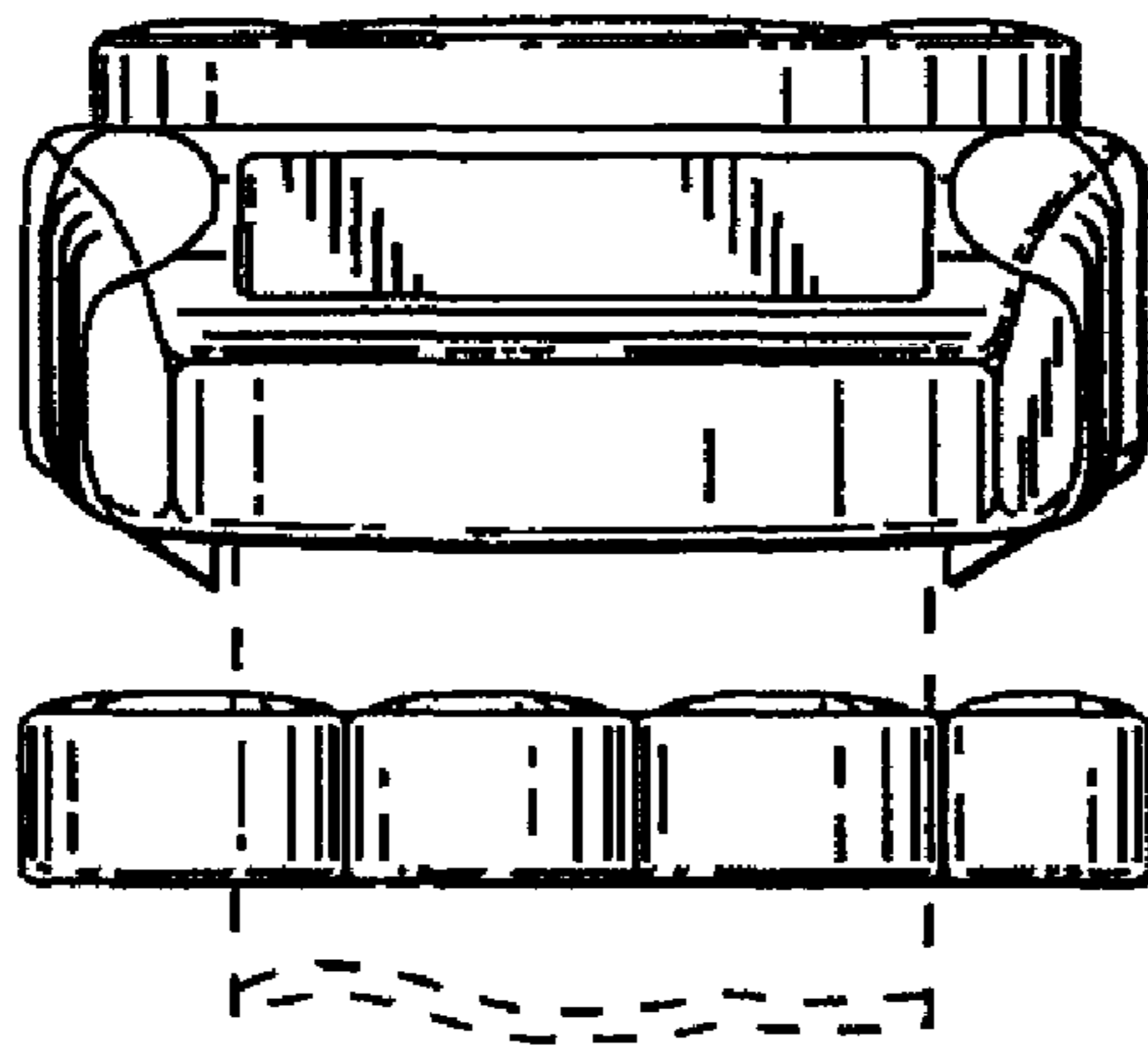


Fig. 7