



US00D631391S

(12) **United States Design Patent**
Aoyama

(10) **Patent No.:** **US D631,391 S**
(45) **Date of Patent:** **** Jan. 25, 2011**

(54) **PLANT POT**
(75) Inventor: **Matsuo Aoyama**, Aichi (JP)
(73) Assignee: **Kaneyama Co., Ltd.**, Chita-gun (JP)
(**) Term: **14 Years**
(21) Appl. No.: **29/361,946**
(22) Filed: **May 18, 2010**

D557,174 S * 12/2007 Aoyama D11/152
D577,630 S * 9/2008 Schmidt D11/152
D594,775 S * 6/2009 Moreau D11/152
D604,665 S * 11/2009 Aoyama D11/152
D611,384 S * 3/2010 Biegel D11/152

* cited by examiner

Primary Examiner—Garth Rademaker
(74) *Attorney, Agent, or Firm*—Burr & Brown

(51) **LOC (9) Cl.** **11-02**
(52) **U.S. Cl.** **D11/152**
(58) **Field of Classification Search** D6/403–405,
D6/556–558; D8/1; D11/143–156, 164;
D19/77, 80, 81; D26/9–11, 16; D34/1, 2,
D34/4–6; D99/5, 19; 47/32.4, 32.5, 32.7,
47/33, 41.01, 41.1, 41.11–41.15, 44–47,
47/65, 65.5, 65.9, 66.6, 66.7, 67–71
See application file for complete search history.

(57) **CLAIM**

The ornamental design for a plant pot, as shown and described.

DESCRIPTION

FIG. 1 is a front view of a plant pot illustrating my new design;
FIG. 2 is a top plan view thereof;
FIG. 3 is a bottom plan view thereof;
FIG. 4 is a cross section view thereof, taken through line 4—4 of FIG. 1;
FIG. 5 is a cross section view thereof, taken along line 5—5 of FIG. 2; and,
FIG. 6 is a top perspective view thereof.

(56) **References Cited**

U.S. PATENT DOCUMENTS

D237,731 S * 11/1975 Box D11/149
D361,956 S * 9/1995 Moore D11/152
D364,112 S * 11/1995 Dickinson et al. D11/152
D489,286 S * 5/2004 Rogers D11/143

1 Claim, 4 Drawing Sheets

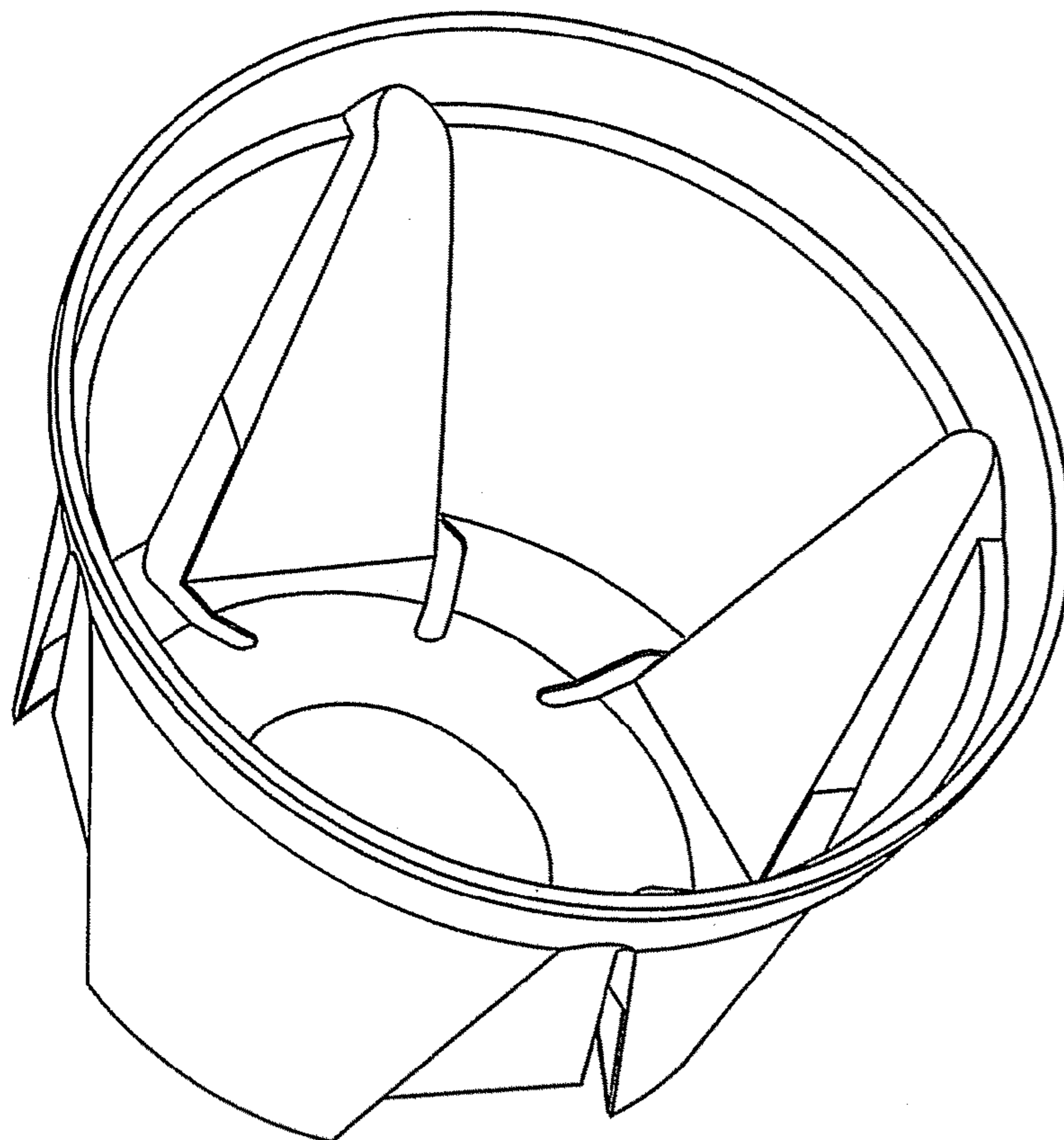


Fig. 1

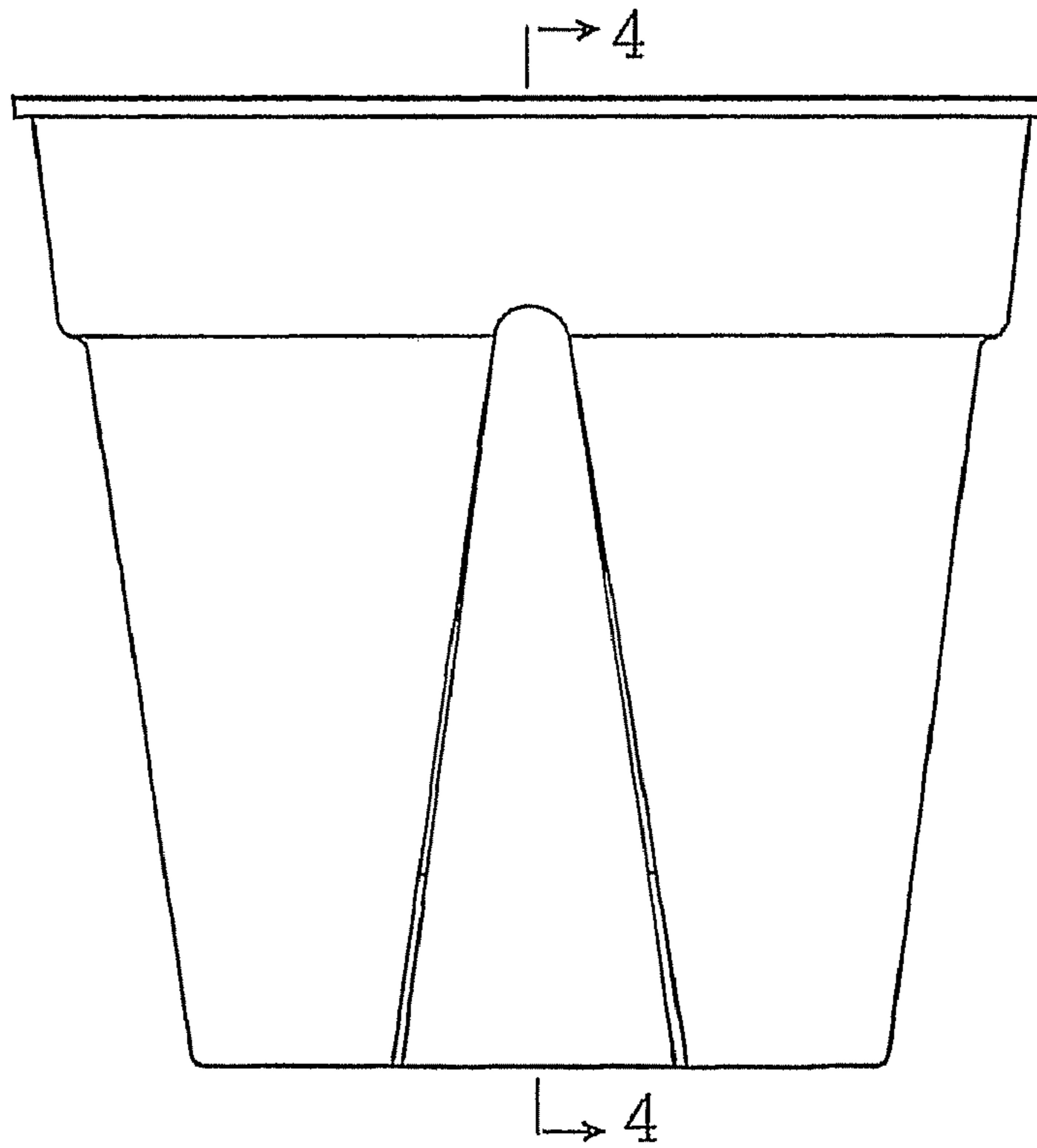


Fig. 2

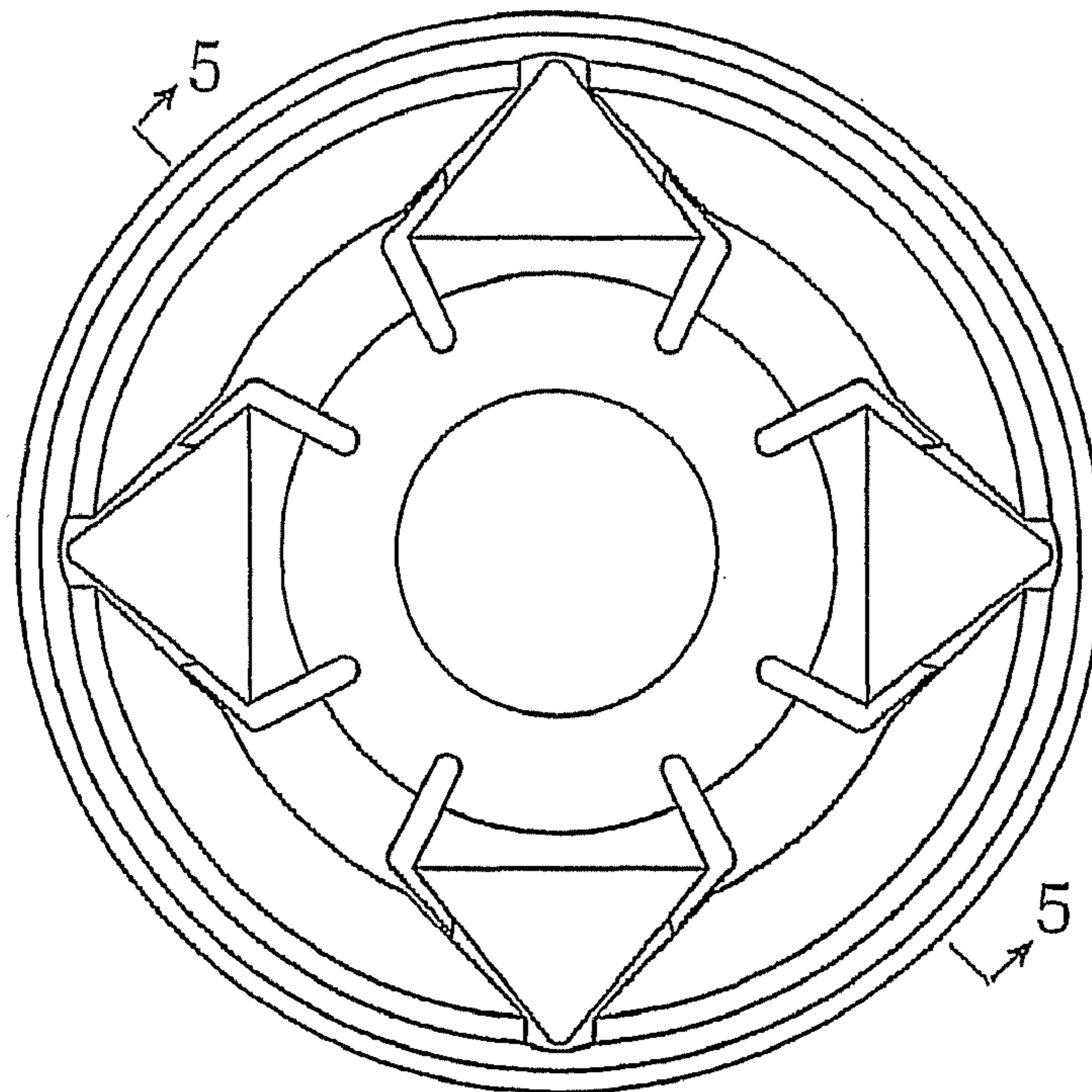


Fig. 3

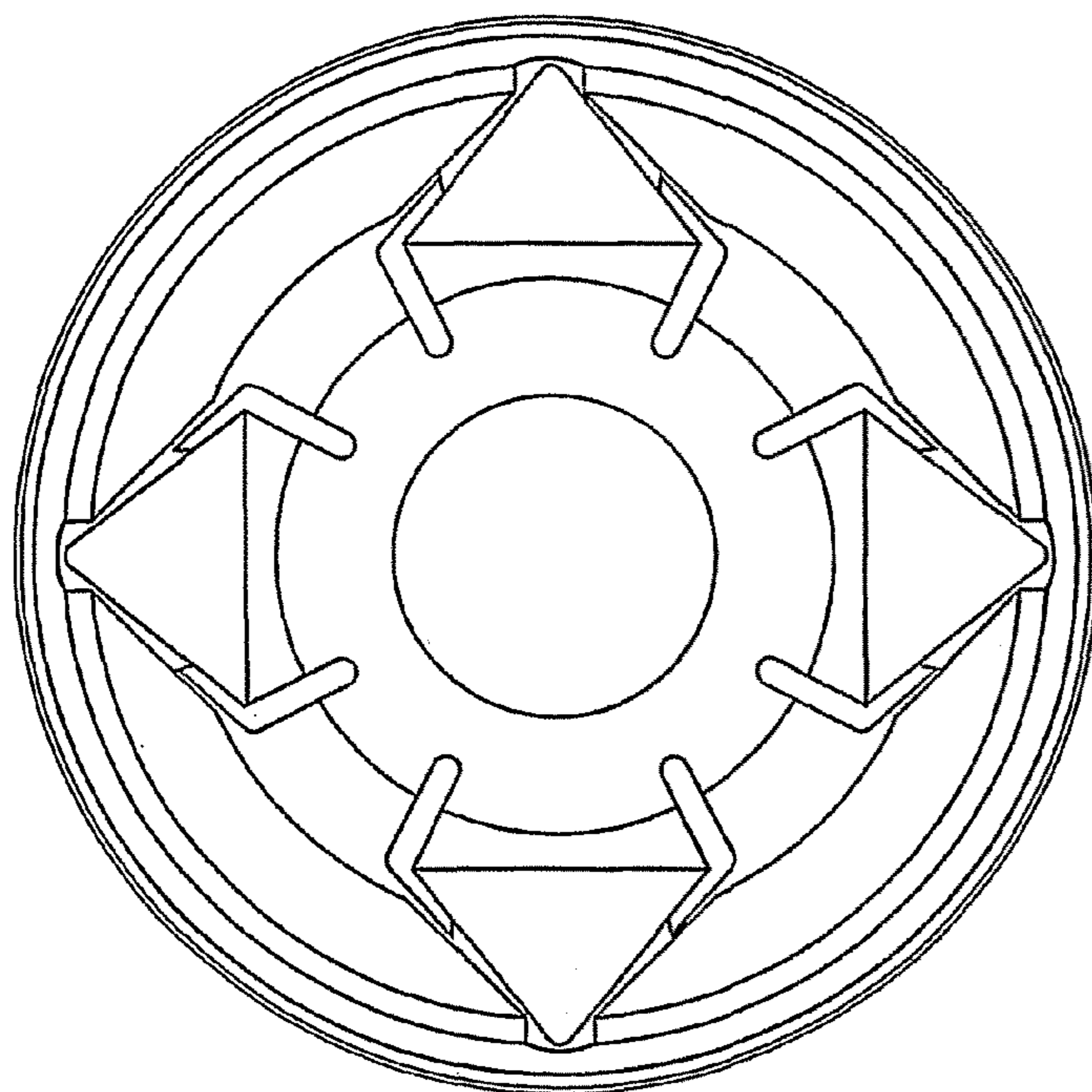


Fig. 4

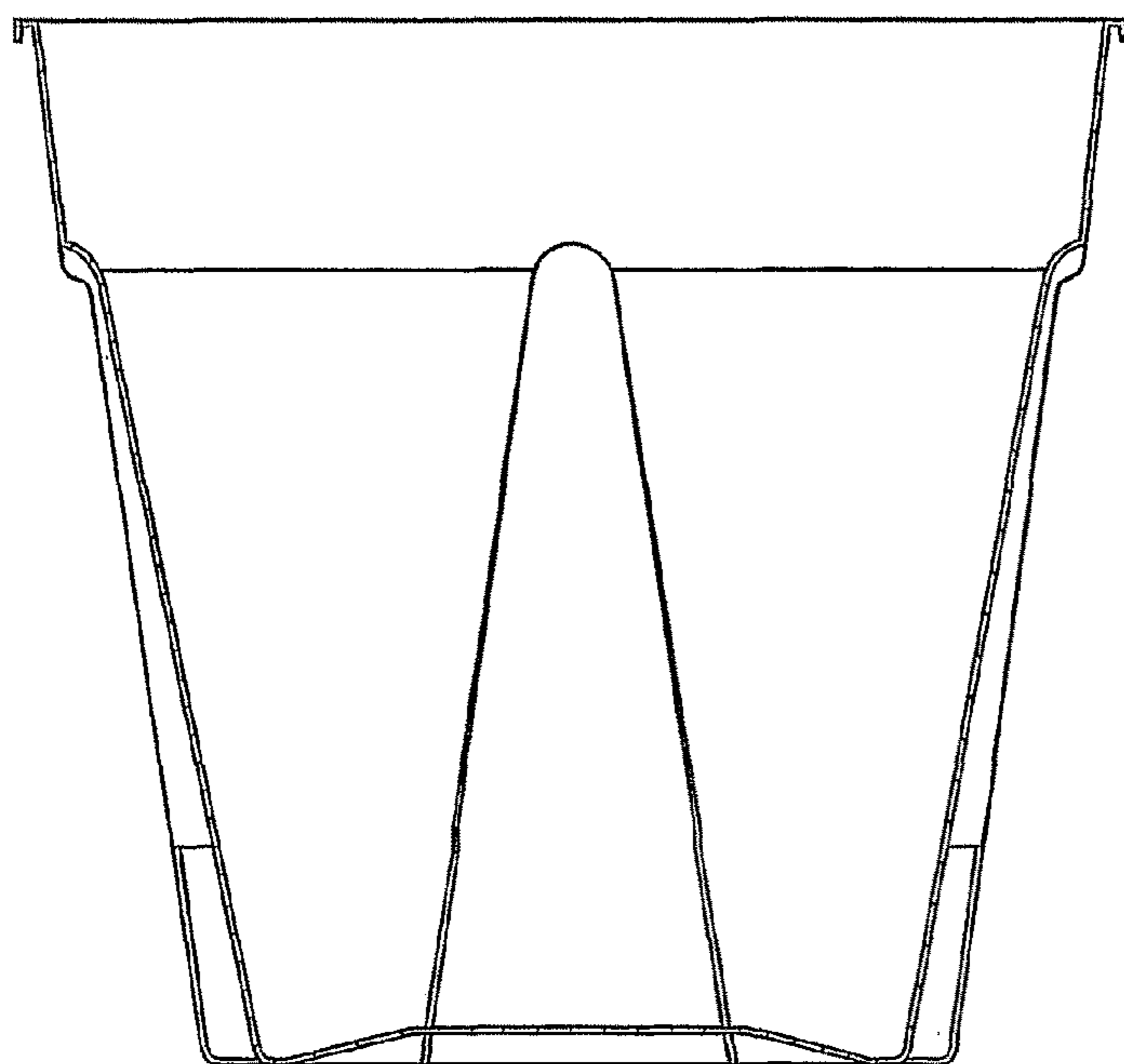


Fig. 5

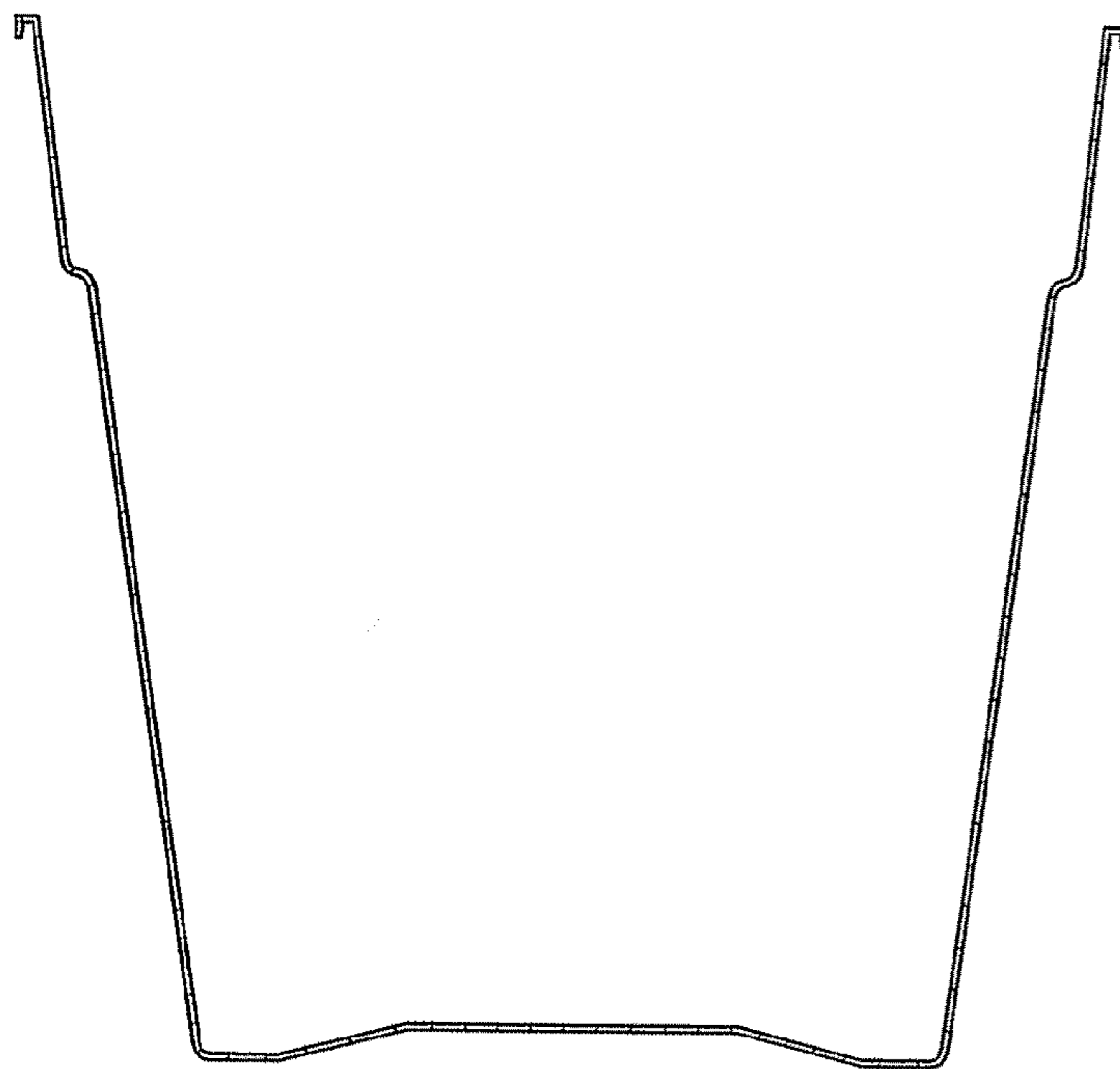


Fig. 6

