



US00D631390S

(12) **United States Design Patent**  
**Izardel**

(10) **Patent No.:** **US D631,390 S**  
(45) **Date of Patent:** **\*\* Jan. 25, 2011**

(54) **PLANTER POST**

(75) Inventor: **Lazar Izardel**, Tel Aviv (IL)

(73) Assignee: **Gamasonic Industries (H.K.) Ltd.**,  
Harbour, Tsimshatsul, Kowloon (HK)

(\*\*) Term: **14 Years**

(21) Appl. No.: **29/367,157**

(22) Filed: **Aug. 4, 2010**

(51) **LOC (9) Cl.** ..... **11-02**

(52) **U.S. Cl.** ..... **D11/144; D26/67**

(58) **Field of Classification Search** ..... D6/403-405,  
D6/556-558; D8/1; D11/143-156, 164;  
D19/77, 80, 81, 84; D25/100; D26/9-11,  
D26/16, 19, 67, 68, 85, 86; D34/1, 2, 4-6;  
D99/5, 19; 47/17, 32.4, 32.5, 32.7, 33, 39,  
47/41.01, 41.1, 41.11-41.15, 44-47, 65,  
47/65.5, 65.9, 66.1, 66.2, 66.6, 66.7, 67-71

See application file for complete search history.

(56) **References Cited**

**U.S. PATENT DOCUMENTS**

- D6,348 S \* 1/1873 Jackson ..... D26/68
- 884,924 A \* 4/1908 Helmschmied ..... 47/66.6
- D154,231 S \* 6/1949 Banker ..... D26/9
- D179,244 S \* 11/1956 Dorman ..... D11/144
- D195,568 S \* 7/1963 Gleitsman ..... D6/412

- 4,715,144 A \* 12/1987 Lee ..... 47/66.6
- D340,204 S \* 10/1993 Grosfillex ..... D11/155
- D397,476 S \* 8/1998 Gween ..... D11/144
- 6,098,338 A \* 8/2000 Tilton ..... 47/66.6
- D432,252 S \* 10/2000 Liu ..... D26/23
- D466,243 S \* 11/2002 Chen ..... D26/67
- D483,138 S \* 12/2003 Chen ..... D26/67
- 6,789,916 B2 \* 9/2004 Ruggles ..... 47/66.6
- D507,068 S \* 7/2005 Chen ..... D26/67
- D508,581 S \* 8/2005 Cheong et al. .... D26/68
- 2008/0115414 A1 \* 5/2008 Hogan ..... 47/66.6

\* cited by examiner

*Primary Examiner*—Garth Rademaker

(74) *Attorney, Agent, or Firm*—Dekel Patent Ltd.; David Klein

(57) **CLAIM**

The ornamental design for a planter post, as shown and described.

**DESCRIPTION**

FIG. 1 is a front view of a planter post, showing my new design;

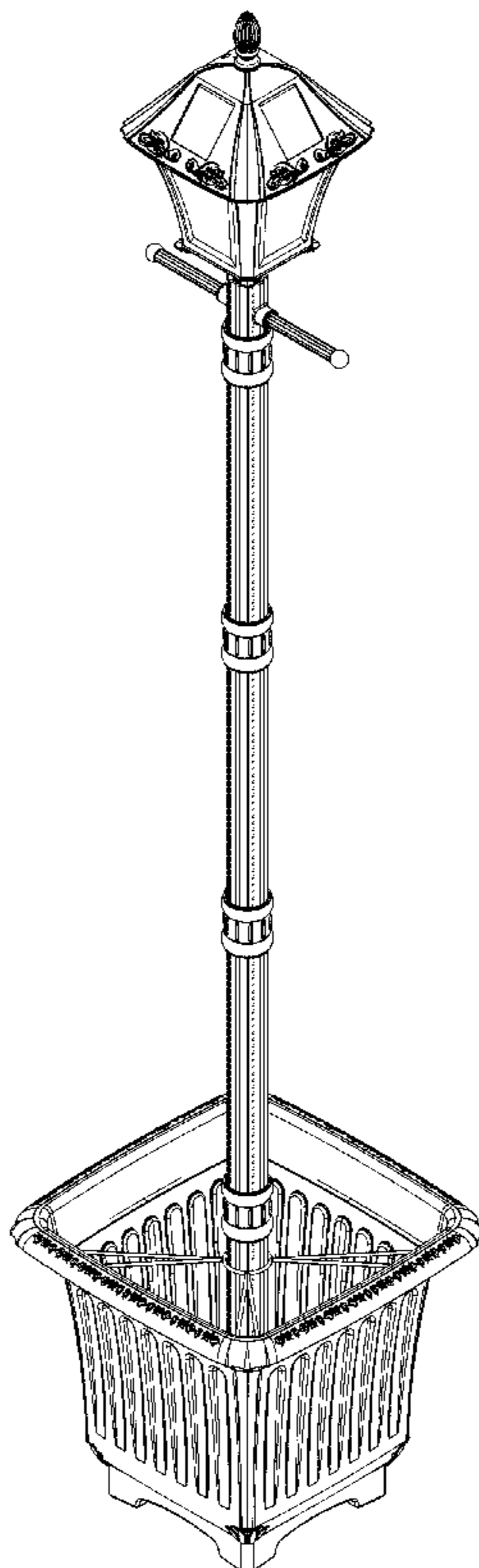
FIG. 2 is a side view thereof;

FIG. 3 is a top view thereof;

FIG. 4 is a lower perspective view thereof; and,

FIG. 5 is an upper perspective view thereof.

**1 Claim, 2 Drawing Sheets**



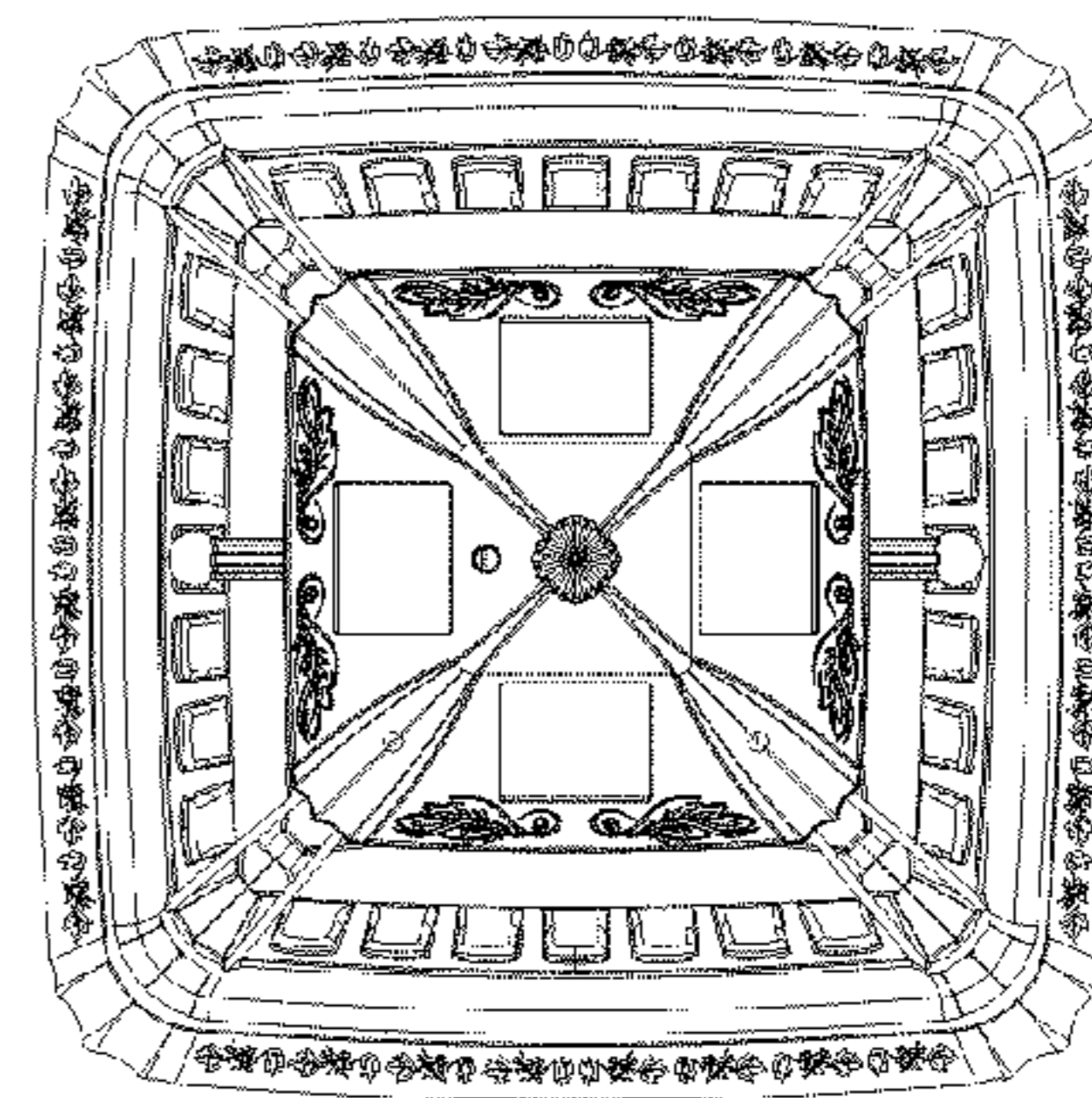
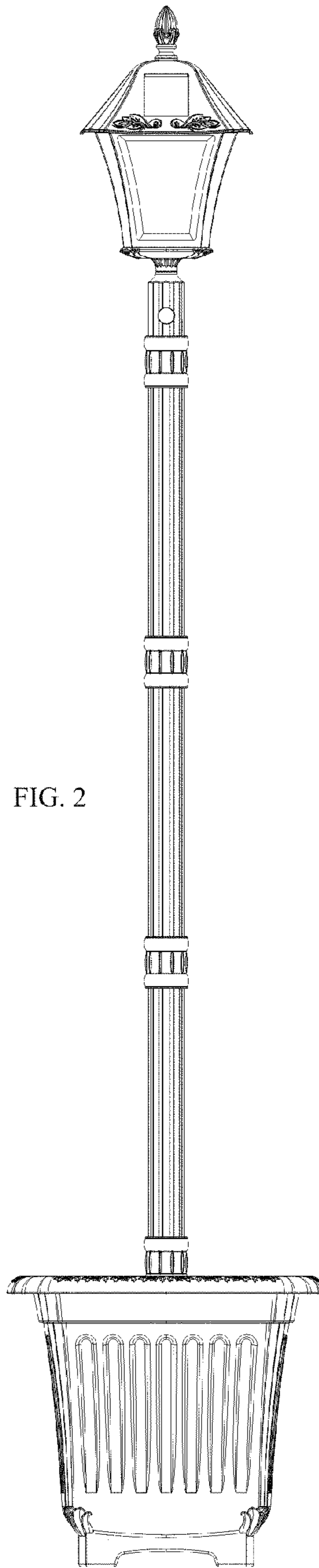
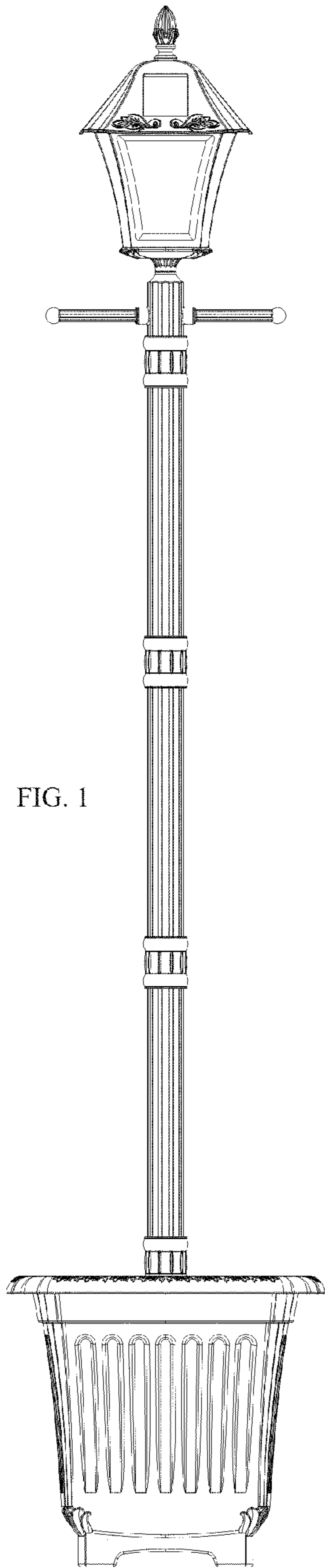


FIG. 1

FIG. 2

FIG. 3

