



US00D631378S

(12) **United States Design Patent**
Campbell et al.

(10) **Patent No.:** **US D631,378 S**

(45) **Date of Patent:** **** Jan. 25, 2011**

(54) **WIRELESS SOIL SENSOR**

7,788,970 B2 * 9/2010 Hitt et al. 73/73
2009/0007706 A1 * 1/2009 Hitt et al. 73/866

(75) Inventors: **Jeffrey Campbell**, Boise, ID (US);
Clayton R. Karmel, San Diego, CA
(US); **John Hubble**, San Diego, CA
(US)

* cited by examiner

Primary Examiner—Antoine D Davis

(73) Assignee: **Green Badge, LLC**, King of Prussia, PA
(US)

(74) *Attorney, Agent, or Firm*—Clause Eight IPS; Michael
Catania

(**) Term: **14 Years**

(57) **CLAIM**

(21) Appl. No.: **29/346,644**

The ornamental design for a wireless soil sensor, as shown
and described.

(22) Filed: **Nov. 3, 2009**

DESCRIPTION

(51) **LOC (9) Cl.** **10-04**

FIG. 1 is a perspective view of a wireless soil sensor of the
present invention.

(52) **U.S. Cl.** **D10/56**

FIG. 2 is a first side view of the wireless soil sensor of FIG. 1.

(58) **Field of Classification Search** D10/52,
D10/53, 56; 73/170.17–170.23, 866, 73;
137/78.3; 340/540, 539.13, 573.2, 870.01;
343/895; 361/730; 362/253; 370/280, 338,
370/509

FIG. 3 is an opposing side view of the wireless soil sensor of
FIG. 1.

See application file for complete search history.

FIG. 4 is top plan view of the wireless soil sensor of FIG. 1.

FIG. 5 is a bottom plan view of a wireless soil sensor of FIG.
1; and,

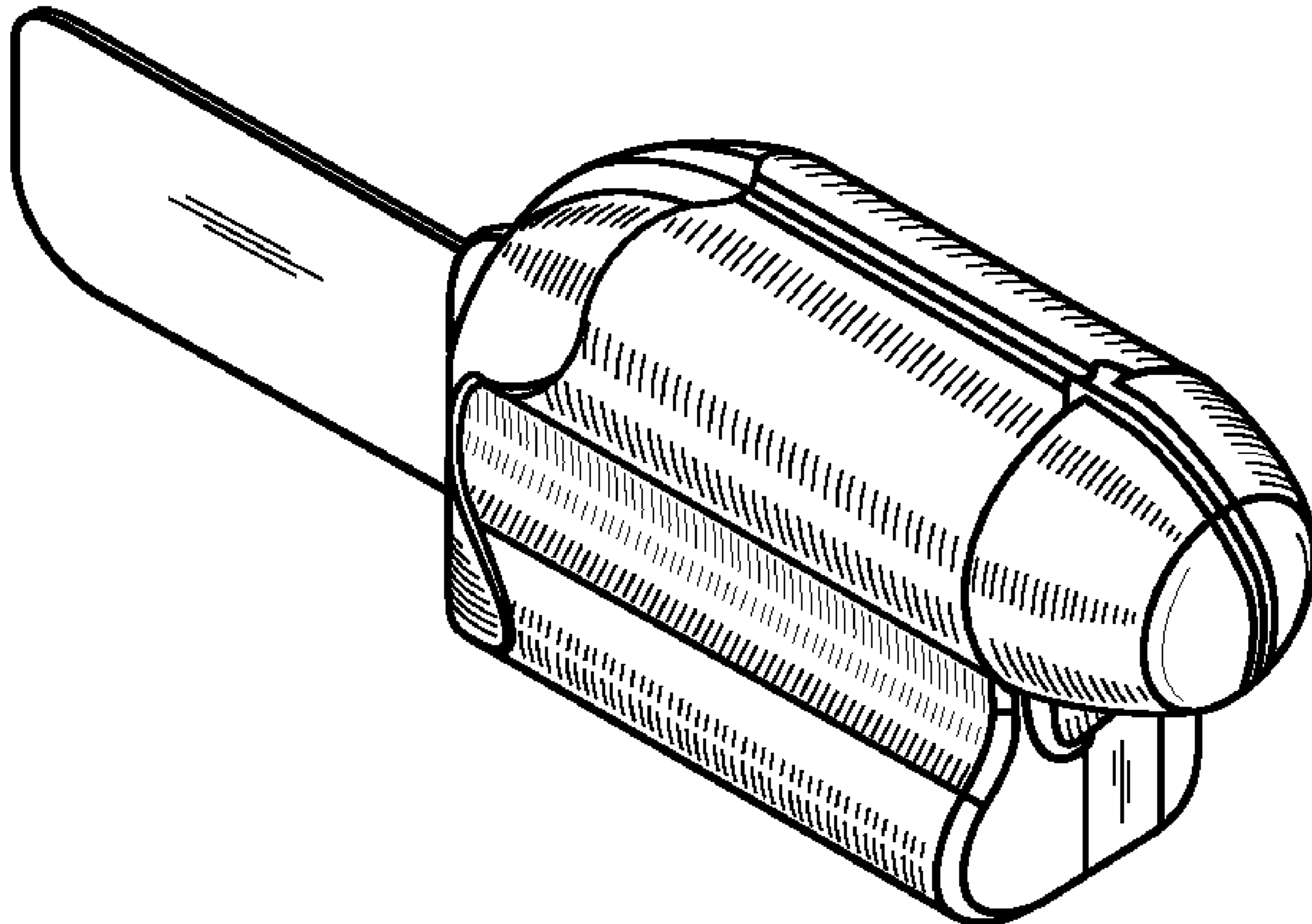
(56) **References Cited**

FIG. 6 is a front view of the wireless soil sensor of FIG. 1.

U.S. PATENT DOCUMENTS

D606,427 S * 12/2009 Campbell et al. D10/56

1 Claim, 2 Drawing Sheets



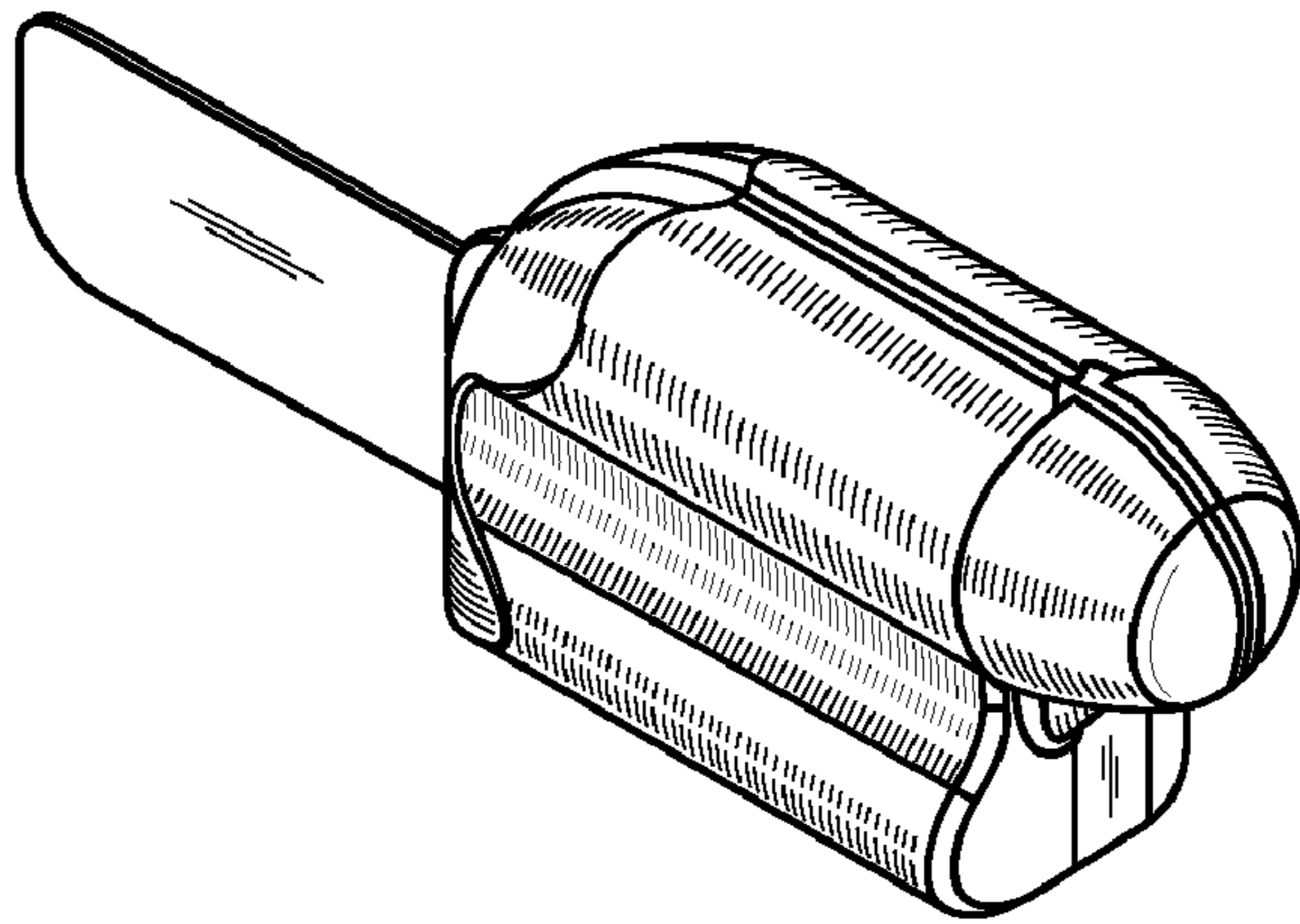


FIG. 1

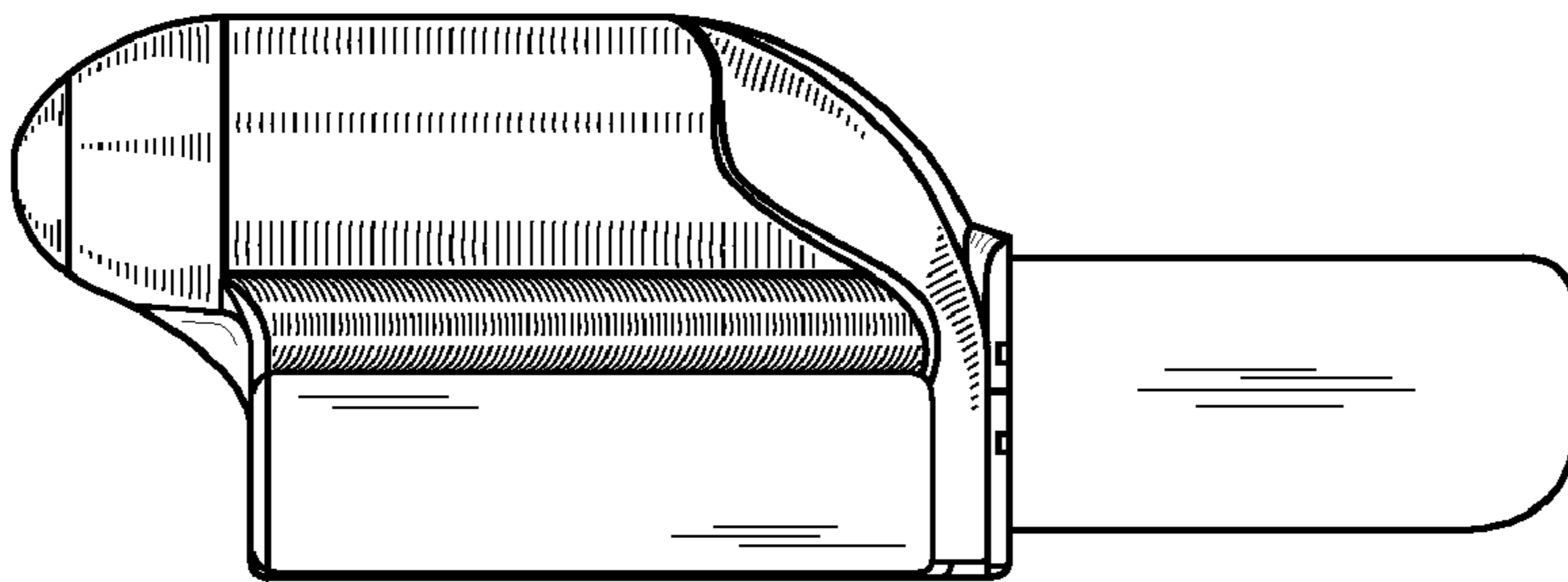


FIG. 2

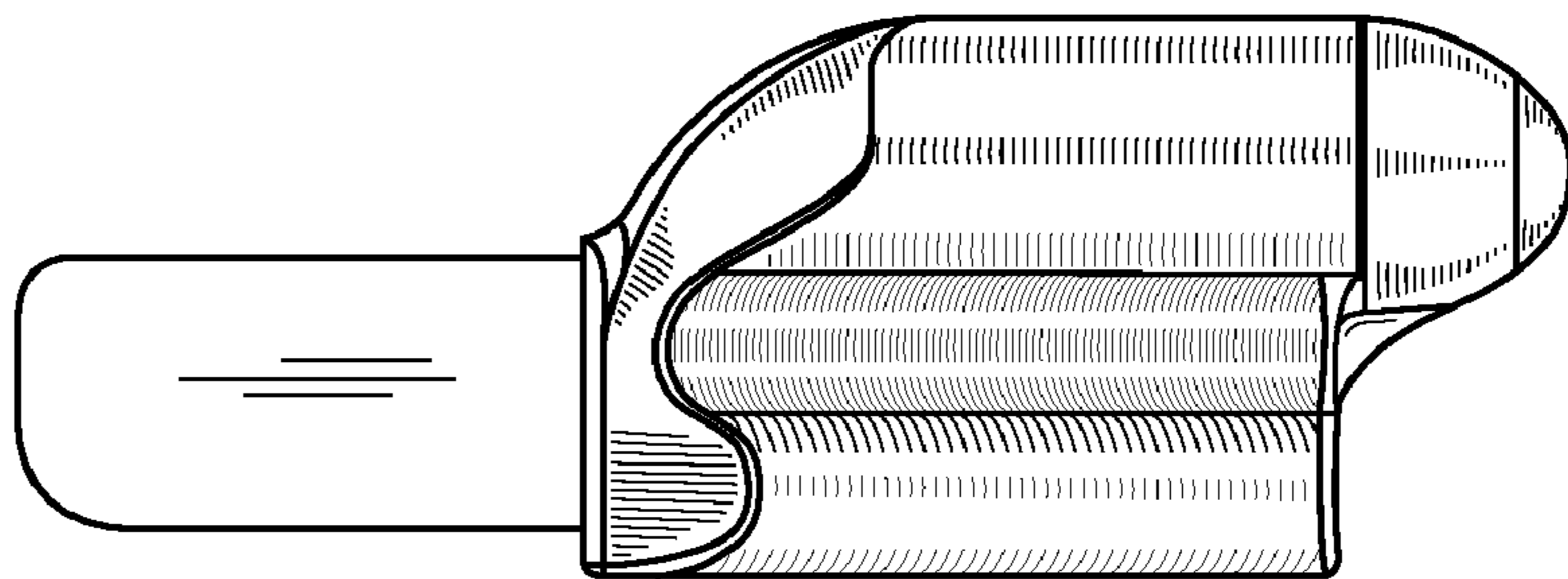


FIG. 3

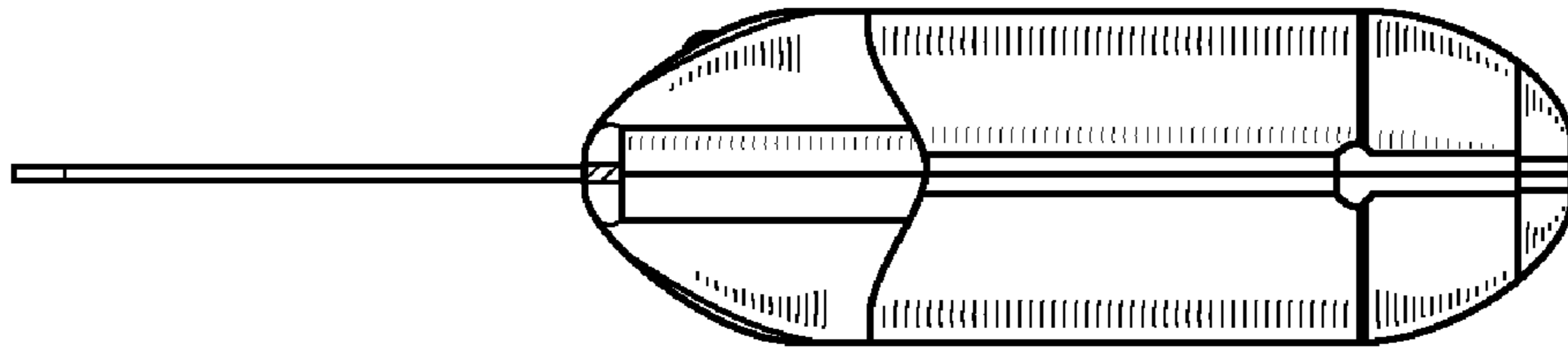


FIG. 4

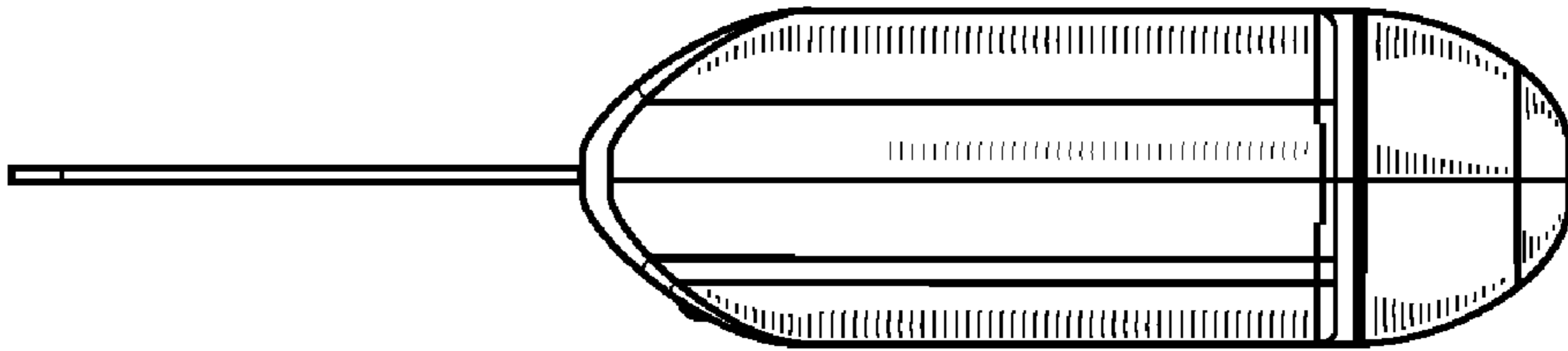


FIG. 5

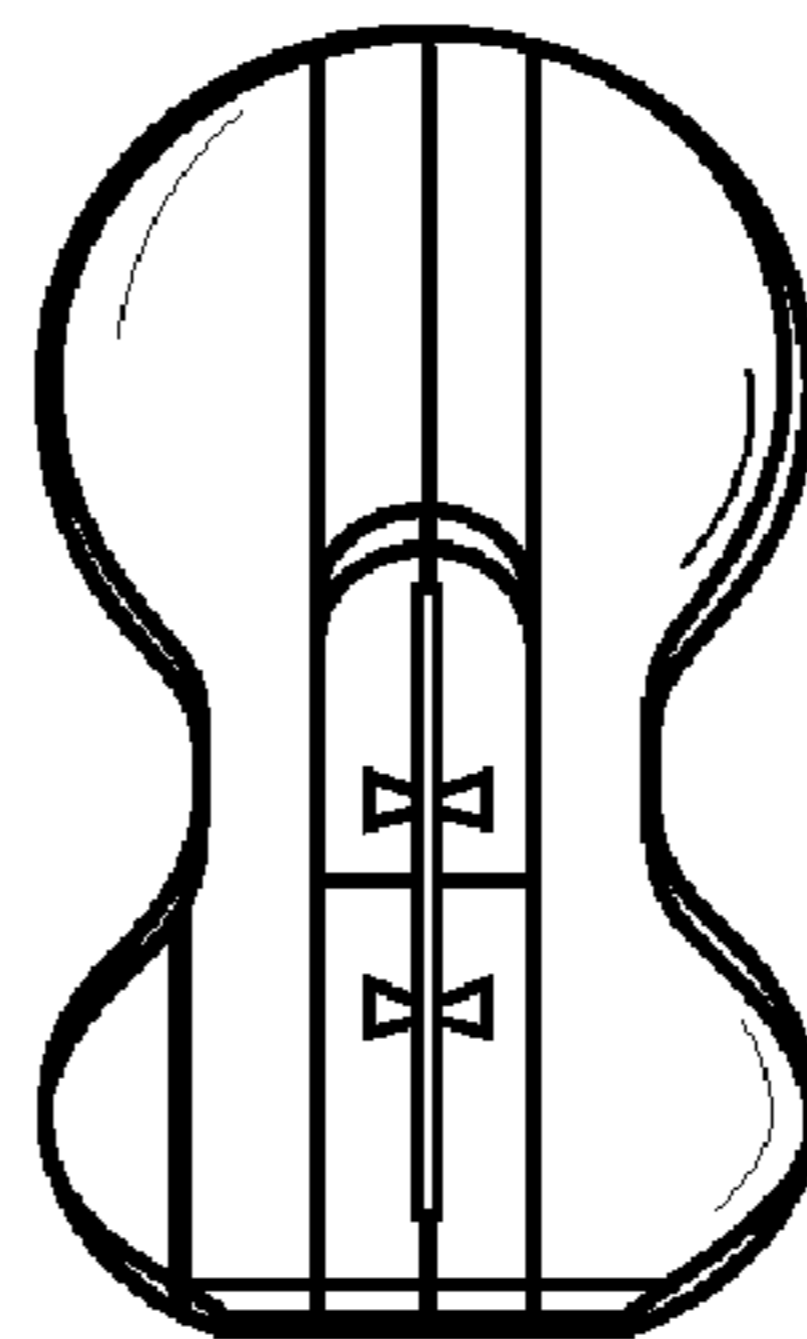


FIG. 6