



US00D631376S

(12) **United States Design Patent**  
**Fasciano**

(10) **Patent No.:** **US D631,376 S**  
(45) **Date of Patent:** **\*\* \*Jan. 25, 2011**

(54) **WATCH**

(75) Inventor: **Giovanni Fasciano**, Lugano (IT)

(73) Assignee: **Global Watch Industries Srl**, Modugno BA (IT)

(\* ) Notice: This patent is subject to a terminal disclaimer.

(\*\*) Term: **14 Years**

(21) Appl. No.: **29/278,178**

(22) Filed: **Mar. 21, 2007**

(30) **Foreign Application Priority Data**

Sep. 21, 2006 (EM) ..... 592555

(51) **LOC (9) Cl.** ..... **10-02**

(52) **U.S. Cl.** ..... **D10/39**

(58) **Field of Classification Search** ..... D10/30-39,  
D10/122-132; 368/276, 281, 282, 285, 308,  
368/319, 223, 228, 232, 80  
See application file for complete search history.

(56) **References Cited**

**U.S. PATENT DOCUMENTS**

|           |     |         |                   |       |         |
|-----------|-----|---------|-------------------|-------|---------|
| 1,675,675 | A * | 7/1928  | Wadsworth         | ..... | 368/281 |
| D77,296   | S * | 12/1928 | Conant            | ..... | D10/38  |
| 1,981,047 | A * | 11/1934 | Irelan            | ..... | 368/295 |
| 1,996,276 | A * | 4/1935  | Cowen             | ..... | 224/178 |
| D151,301  | S * | 10/1948 | Tuffo             | ..... | D10/31  |
| D404,320  | S   | 1/1999  | Chodat            |       |         |
| D420,293  | S * | 2/2000  | Parmigiani        | ..... | D10/30  |
| D432,439  | S   | 10/2000 | Lassigne          |       |         |
| D444,406  | S   | 7/2001  | Hysek             |       |         |
| D453,690  | S   | 2/2002  | D'Origny          |       |         |
| D456,283  | S * | 4/2002  | Baumann           | ..... | D10/32  |
| D474,117  | S * | 5/2003  | Dubois            | ..... | D10/30  |
| D475,638  | S * | 6/2003  | Modolo            | ..... | D10/39  |
| D485,767  | S * | 1/2004  | Lalo              | ..... | D10/30  |
| D486,403  | S   | 2/2004  | Baumann           |       |         |
| D487,403  | S * | 3/2004  | Geockeritz et al. | ..... | D10/39  |
| D487,404  | S * | 3/2004  | Dubarry           | ..... | D10/39  |

|          |     |         |           |       |        |
|----------|-----|---------|-----------|-------|--------|
| D488,077 | S * | 4/2004  | Bitetto   | ..... | D10/39 |
| D489,272 | S   | 5/2004  | Messmer   |       |        |
| D490,000 | S * | 5/2004  | Lassigne  | ..... | D10/32 |
| D491,473 | S * | 6/2004  | Afshar    | ..... | D10/32 |
| D491,820 | S * | 6/2004  | Bitetto   | ..... | D10/39 |
| D493,111 | S * | 7/2004  | Afshar    | ..... | D10/32 |
| D494,072 | S * | 8/2004  | Bitetto   | ..... | D10/39 |
| D494,477 | S * | 8/2004  | Lalo      | ..... | D10/30 |
| D495,613 | S * | 9/2004  | Ellia     | ..... | D10/39 |
| D496,591 | S * | 9/2004  | Yurman    | ..... | D10/32 |
| D503,121 | S   | 3/2005  | Bitetto   |       |        |
| D505,340 | S * | 5/2005  | Lalo      | ..... | D10/30 |
| D510,707 | S * | 10/2005 | Cheng     | ..... | D10/30 |
| D524,173 | S   | 7/2006  | Mouquet   |       |        |
| D540,699 | S * | 4/2007  | Niculescu | ..... | D10/39 |
| D558,615 | S * | 1/2008  | Sirmakes  | ..... | D10/39 |
| D560,124 | S * | 1/2008  | Sirmakes  | ..... | D10/32 |

(Continued)

*Primary Examiner*—Lucy Lieberman

(74) *Attorney, Agent, or Firm*—Panitch Schwarze Belisario & Nadel LLP

(57)

**CLAIM**

The ornamental design for a watch, as shown and described.

**DESCRIPTION**

FIG. 1 is a front perspective view of a watch in accordance with my new design;

FIG. 2 is a front elevational view thereof;

FIG. 3 is a right side elevational view thereof;

FIG. 4 is a left side elevational view thereof;

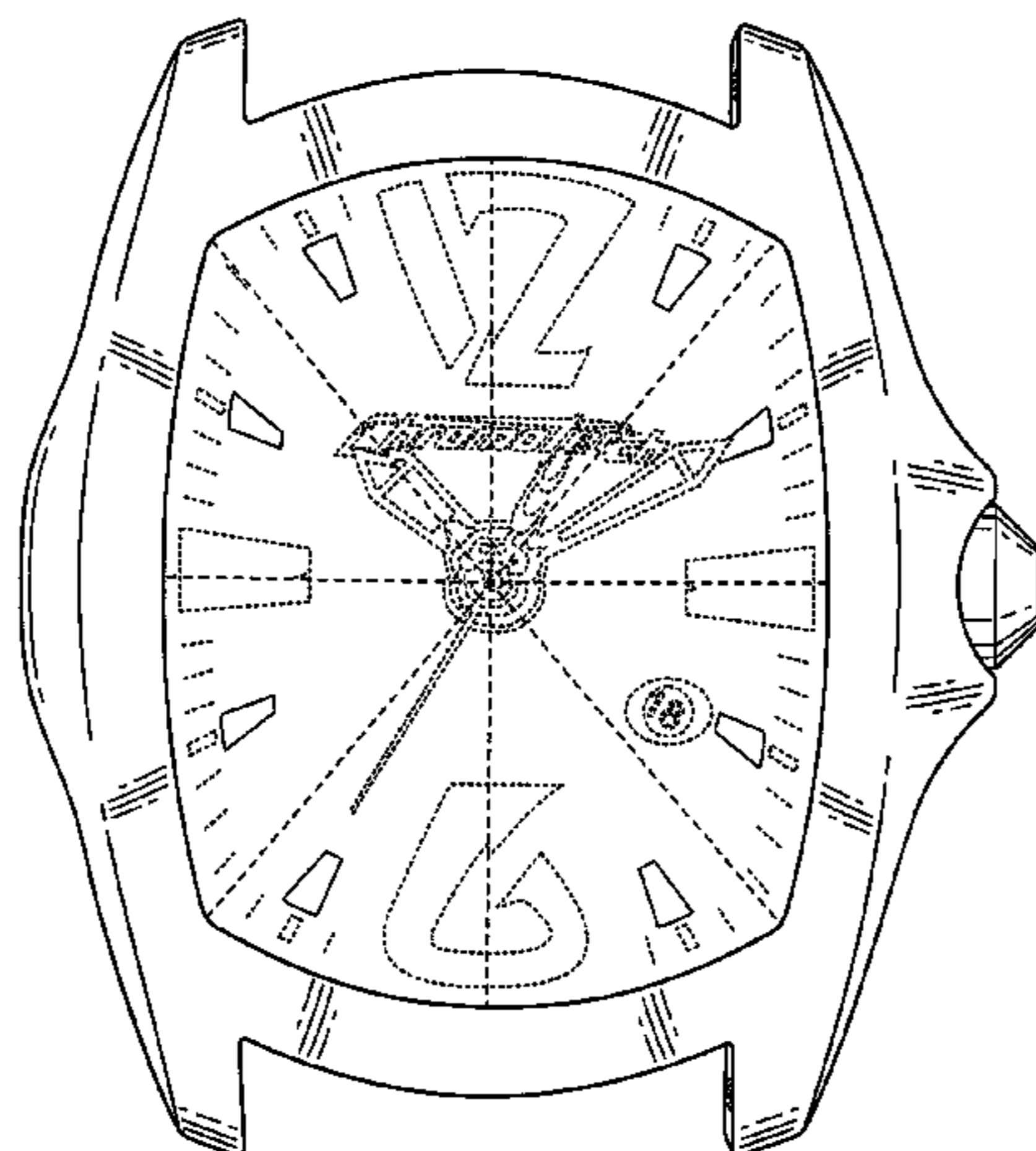
FIG. 5 is a bottom plan view thereof; and,

FIG. 6 is a top plan view thereof.

The broken lines in the figures are for illustrative purposes only and form no part of the claimed design.

The rear elevation view of the watch is not shown in the drawings or described in the specification and, therefore, forms no part of the claimed design.

**1 Claim, 3 Drawing Sheets**



# US D631,376 S

Page 2

---

## U.S. PATENT DOCUMENTS

|              |        |             |       |        |              |        |          |       |        |
|--------------|--------|-------------|-------|--------|--------------|--------|----------|-------|--------|
| D564,370 S * | 3/2008 | Bove et al. | ..... | D10/38 | D574,265 S * | 8/2008 | Fasciano | ..... | D10/39 |
| D567,115 S * | 4/2008 | Bulgari     | ..... | D10/32 | D588,941 S * | 3/2009 | Fasciano | ..... | D10/38 |
| D574,264 S * | 8/2008 | Fasciano    | ..... | D10/39 | D588,942 S * | 3/2009 | Fasciano | ..... | D10/38 |
|              |        |             |       |        | D588,943 S * | 3/2009 | Fasciano | ..... | D10/38 |

\* cited by examiner

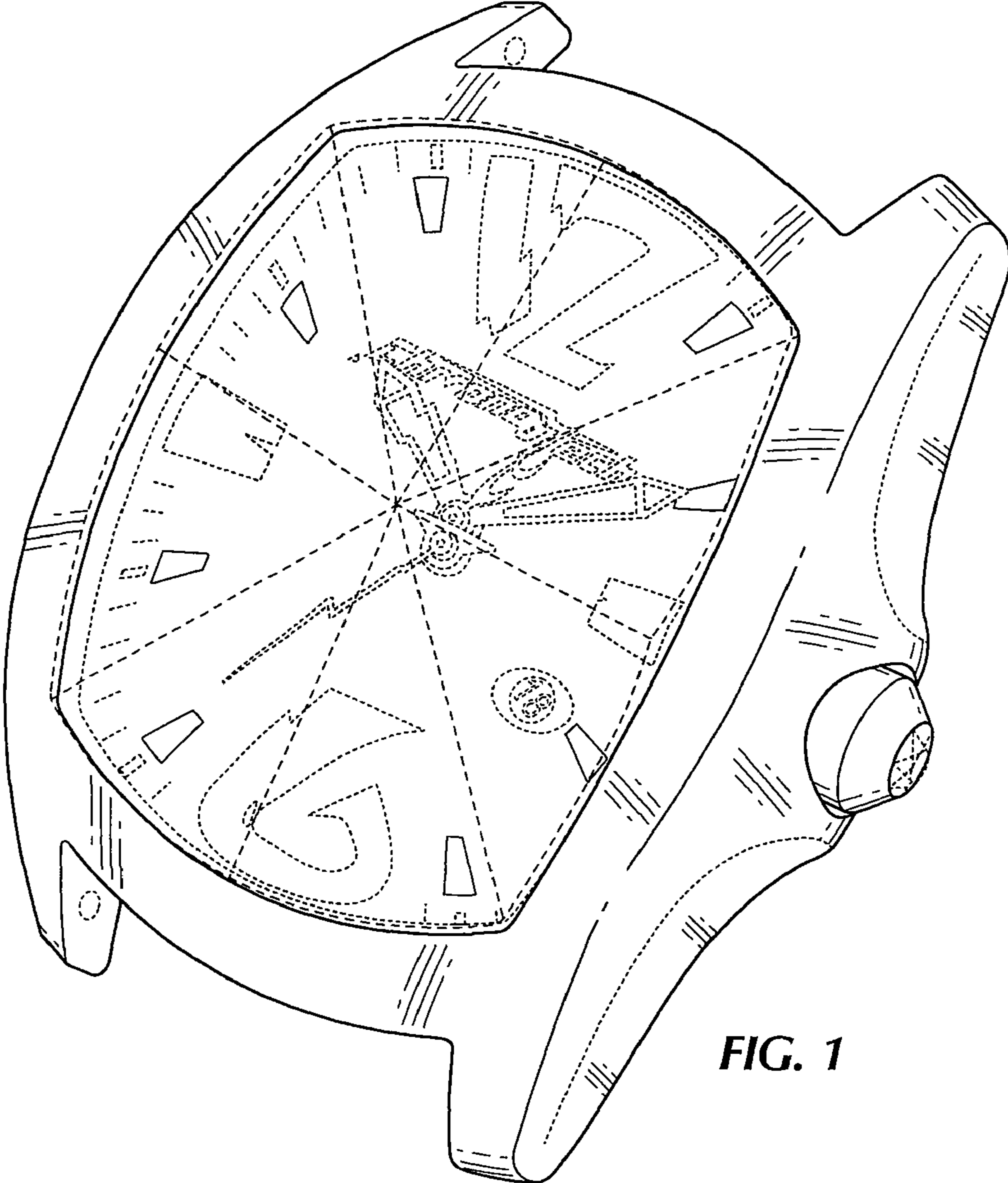


FIG. 1

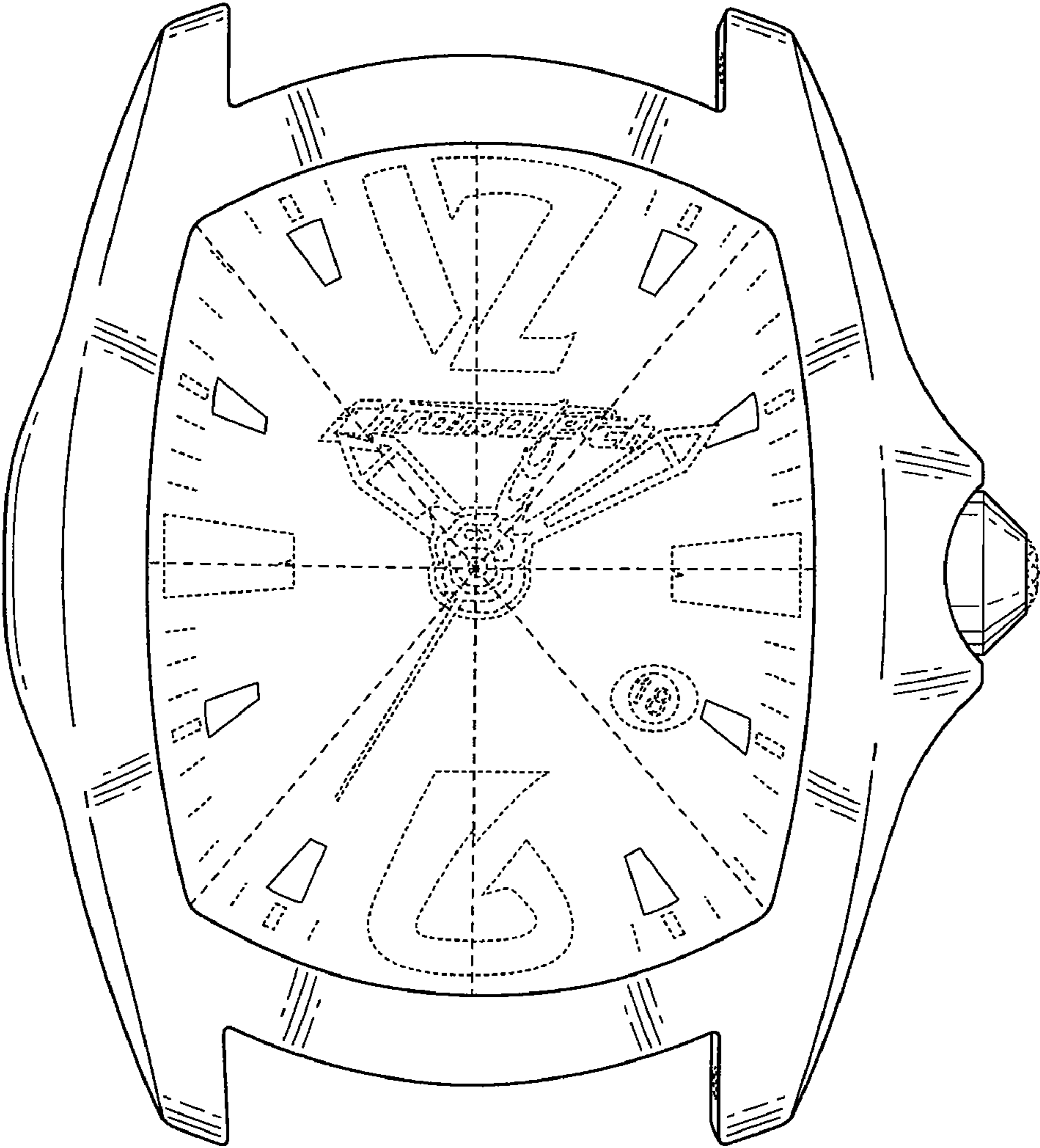


FIG. 2

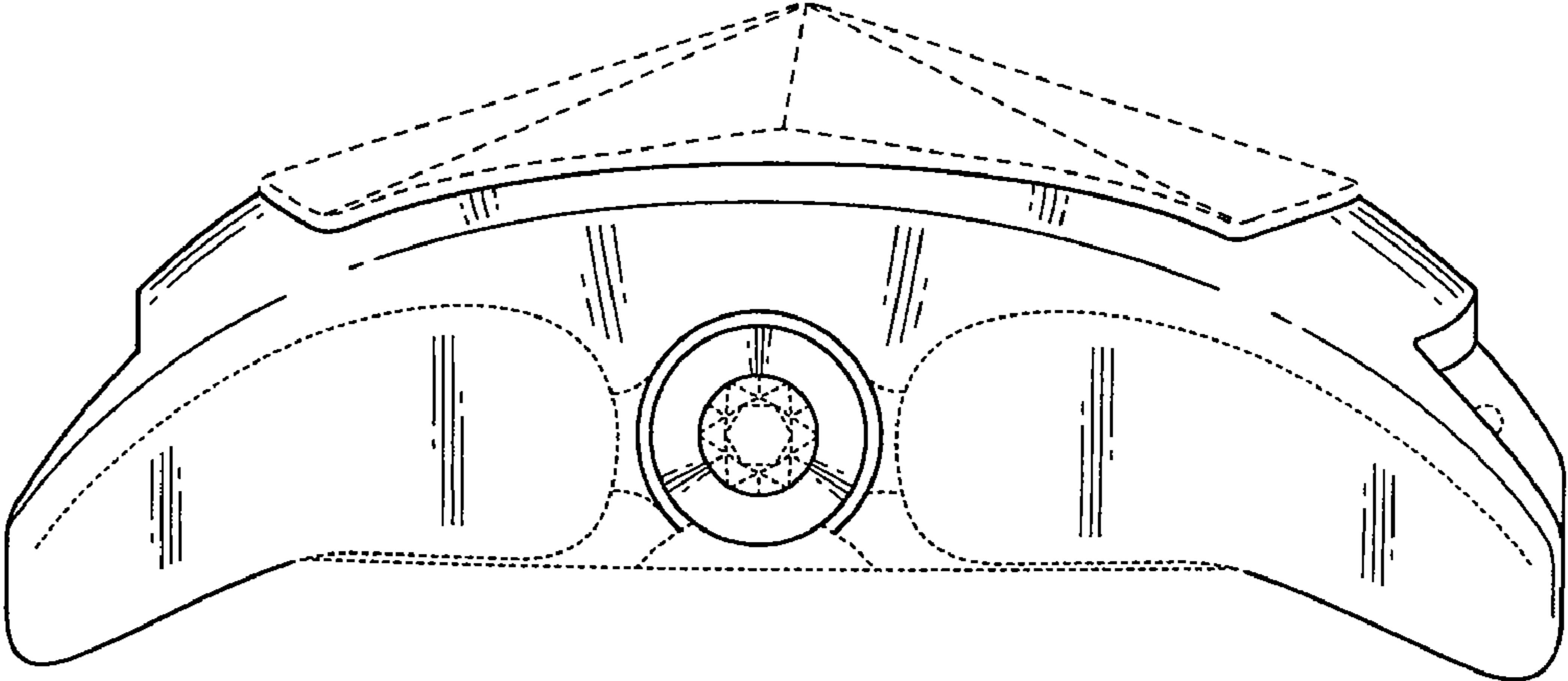
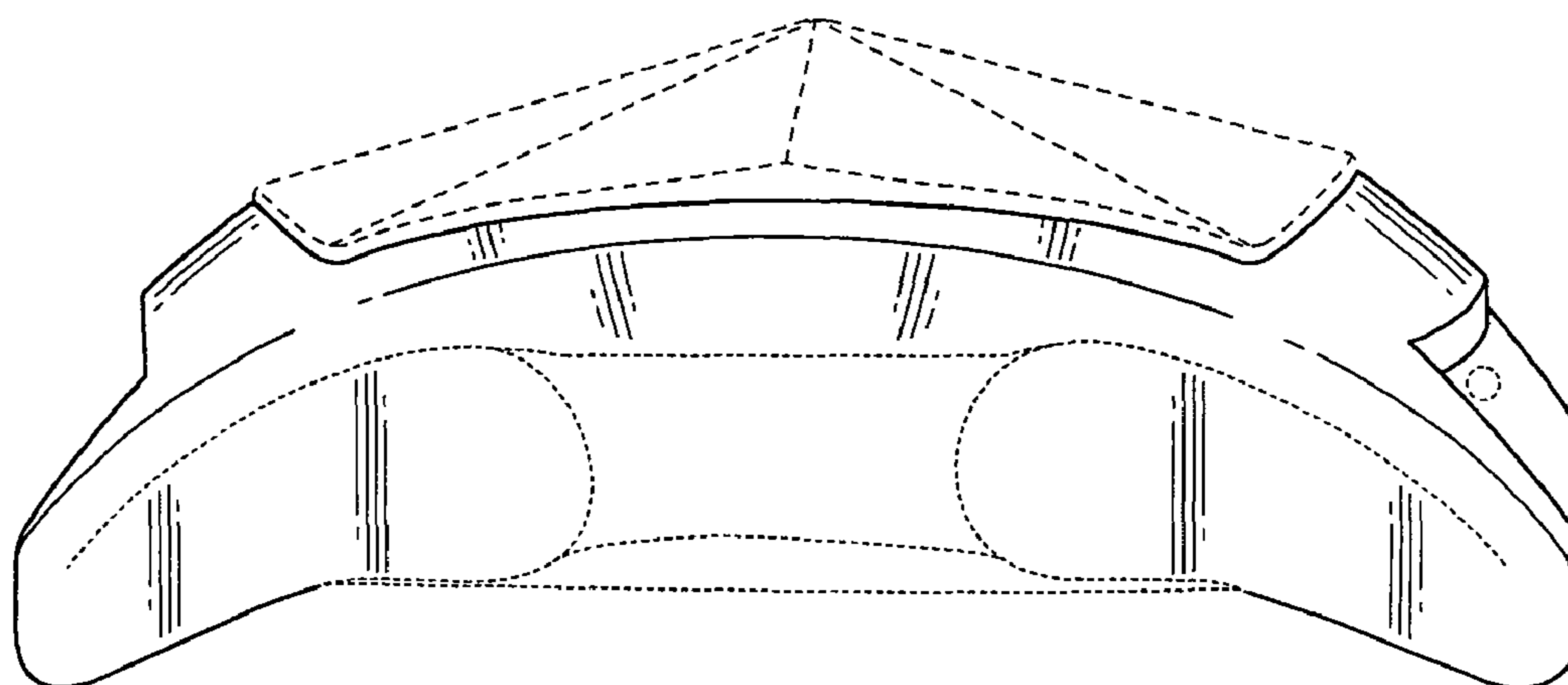
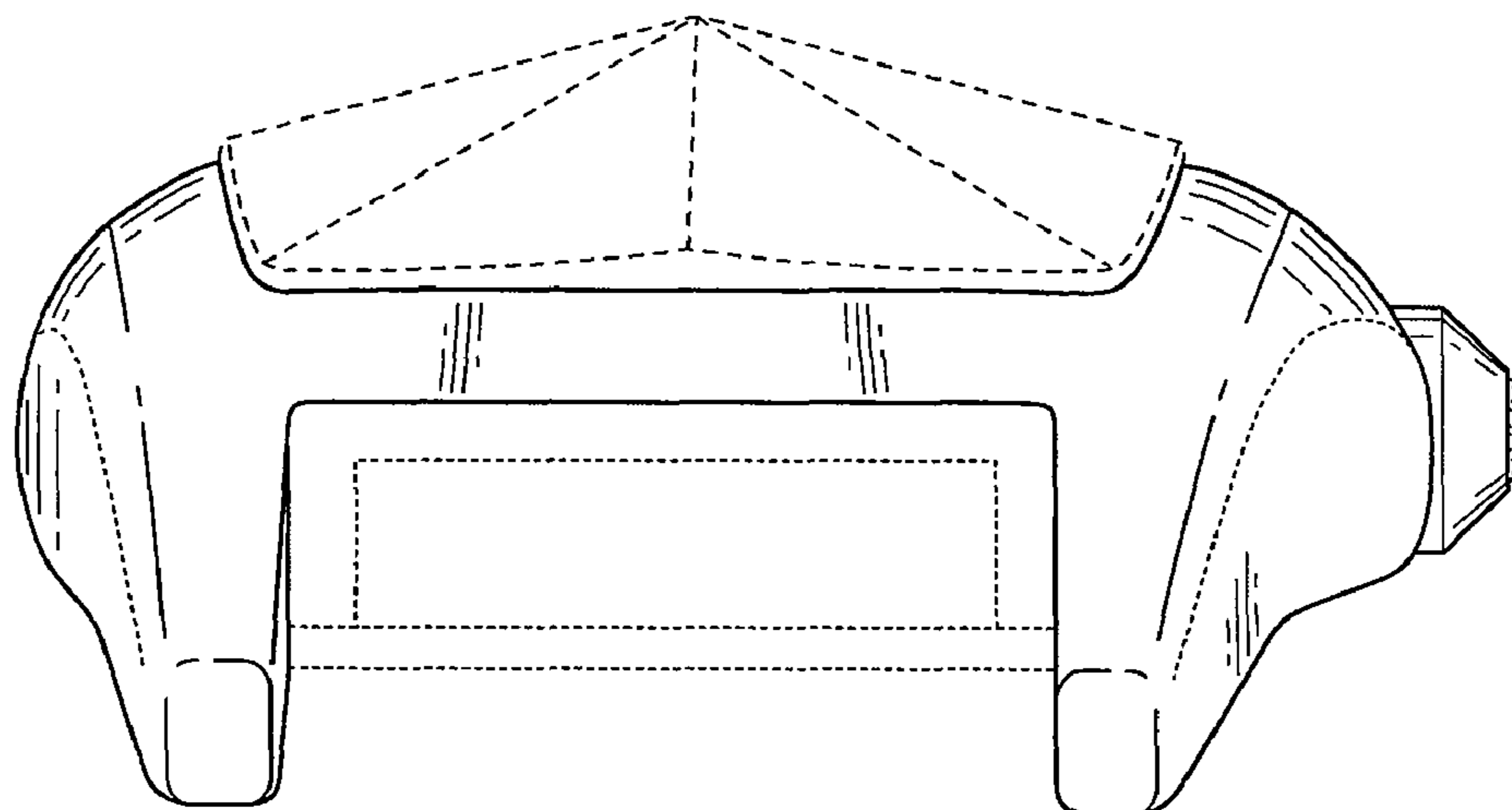


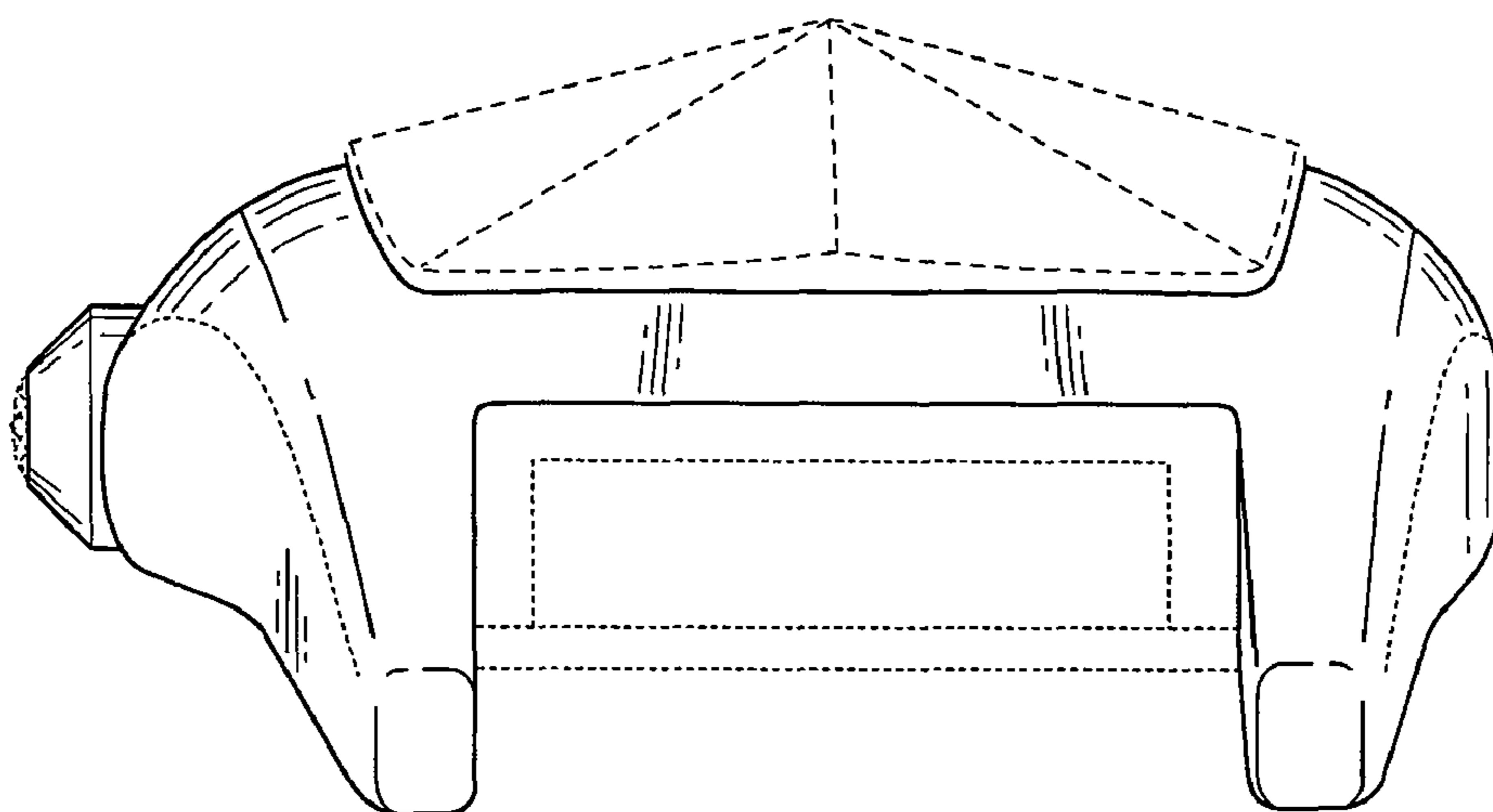
FIG. 3



**FIG. 4**



**FIG. 5**



**FIG. 6**