



US00D631375S

(12) **United States Design Patent**
Wilbur

(10) **Patent No.:** **US D631,375 S**
(45) **Date of Patent:** **** Jan. 25, 2011**

(54) **WATCH**

(75) Inventor: **Jason M. Wilbur**, Beverly Hills, CA
(US)

(73) Assignee: **Devon Works, LLC**, Beverly Hills, CA
(US)

(**) Term: **14 Years**

(21) Appl. No.: **29/361,799**

(22) Filed: **May 14, 2010**

(51) **LOC (9) Cl.** **10-02**

(52) **U.S. Cl.** **D10/38**

(58) **Field of Classification Search** D10/30-39,
D10/1, 15; 368/276, 281, 282, 220, 228,
368/223, 232, 239

See application file for complete search history.

(56) **References Cited**

U.S. PATENT DOCUMENTS

D113,771	S *	3/1939	Stegeman	D10/38
2,930,183	A	3/1960	Guillaume		
2,952,967	A	9/1960	Guillaume		
3,024,590	A	3/1962	Wynne		
3,162,007	A *	12/1964	Parmentier	368/281
3,270,928	A *	9/1966	Brunet	224/164
3,979,898	A	9/1976	Werres		
D241,725	S *	10/1976	Bailey	D10/15
4,022,015	A *	5/1977	Bailey	368/40
4,162,609	A	7/1979	Oishi et al.		
4,357,691	A	11/1982	Goodchild		
D337,531	S *	7/1993	Braisted	D10/38
5,757,731	A *	5/1998	Rosenberg	368/242
6,219,307	B1 *	4/2001	Chitturi	368/223
D457,816	S *	5/2002	Guye	D10/32
D513,195	S *	12/2005	Gruosi	D10/38

D530,225	S *	10/2006	Wunderman	D10/32
D545,232	S *	6/2007	Waldman	D10/125
D554,004	S *	10/2007	Kraft	D10/38
7,376,052	B2 *	5/2008	Sela	368/82
D576,892	S *	9/2008	Gruosi	D10/38
D588,938	S *	3/2009	Blonder	D10/1
D600,570	S *	9/2009	Zinder	D10/31
D605,532	S *	12/2009	Gruosi	D10/38
D606,887	S *	12/2009	Landman et al.	D10/38
D618,116	S *	6/2010	Garcia	D10/1
D624,439	S *	9/2010	Wunderman	D10/32
2005/0083787	A1 *	4/2005	Perez et al.	368/223
2005/0122844	A1	6/2005	Ruchonnet		
2009/0161496	A1	6/2009	Gerber et al.		

* cited by examiner

Primary Examiner—Lucy Lieberman

(74) *Attorney, Agent, or Firm*—Connolly Bove Lodge & Hutz
LLP

(57) **CLAIM**

The ornamental design for a watch, as shown and described.

DESCRIPTION

FIG. 1 is a front perspective view of my new, original and ornamental design for a watch;

FIG. 2 is a top view thereof;

FIG. 3 is a bottom view thereof;

FIG. 4 is a left side view thereof;

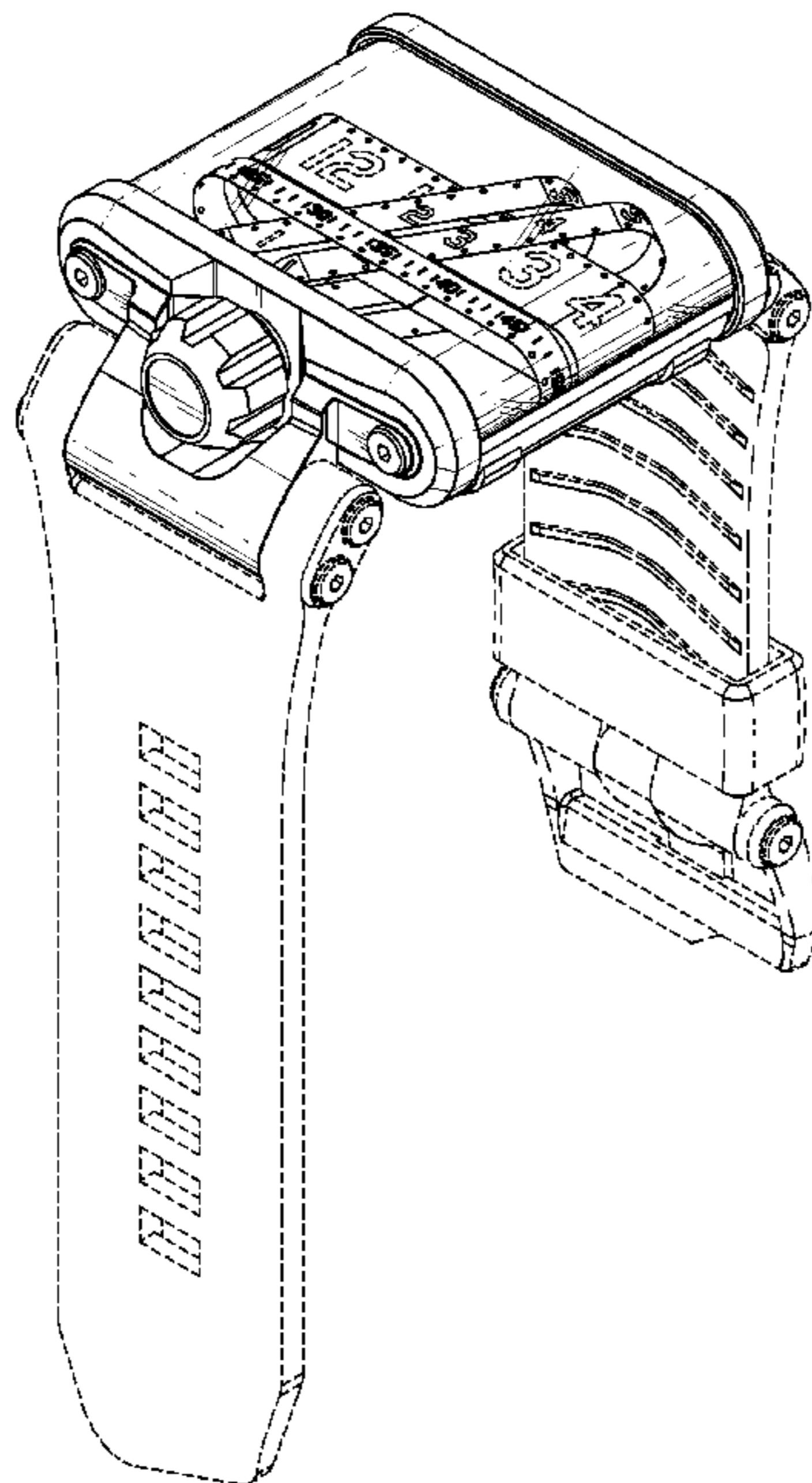
FIG. 5 is a right side view thereof;

FIG. 6 is a front view thereof; and,

FIG. 7 is a rear view thereof.

The broken lines in FIGS. 1 to 7 are used to show portions of the watch that do not form part of the claimed design.

1 Claim, 7 Drawing Sheets



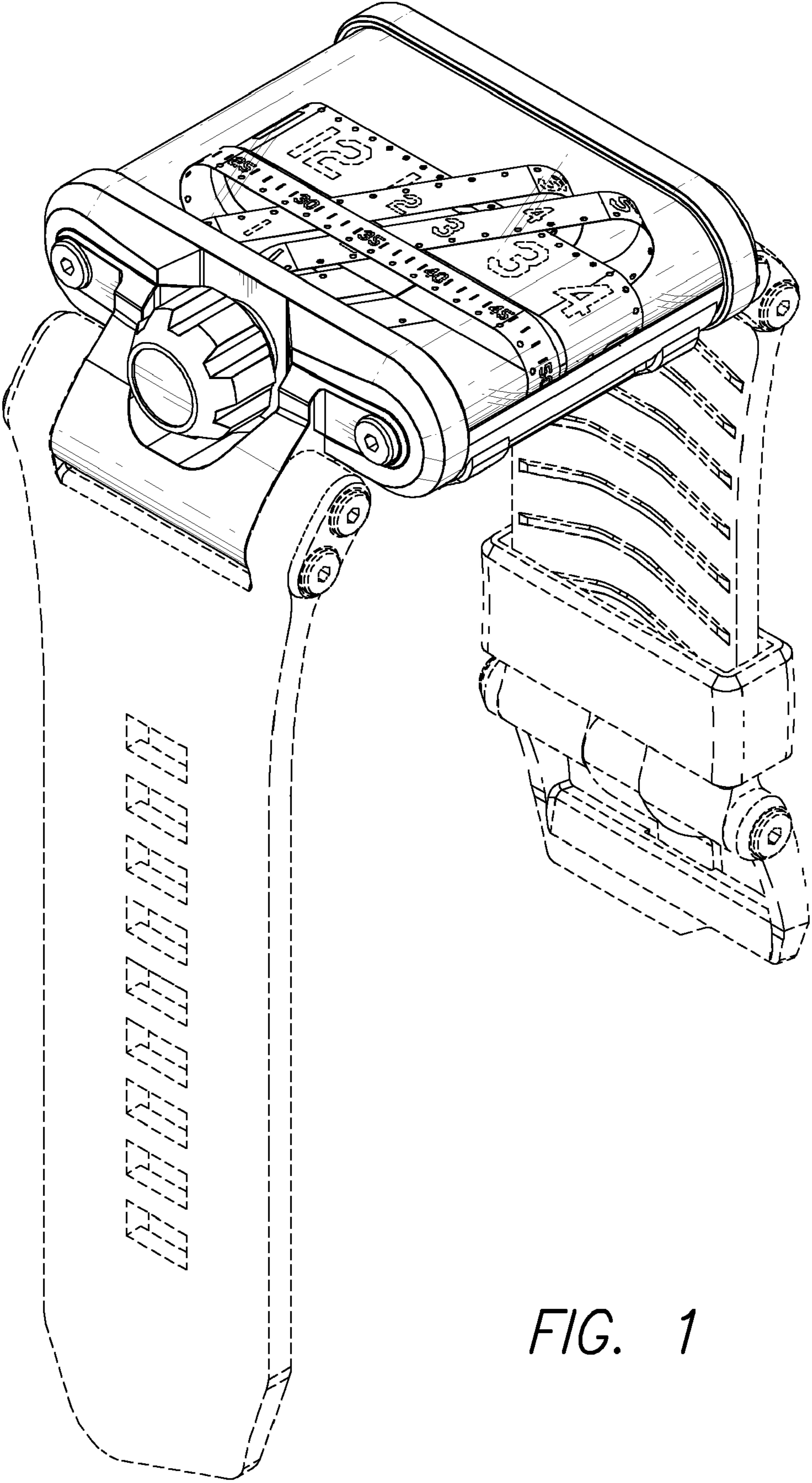


FIG. 1

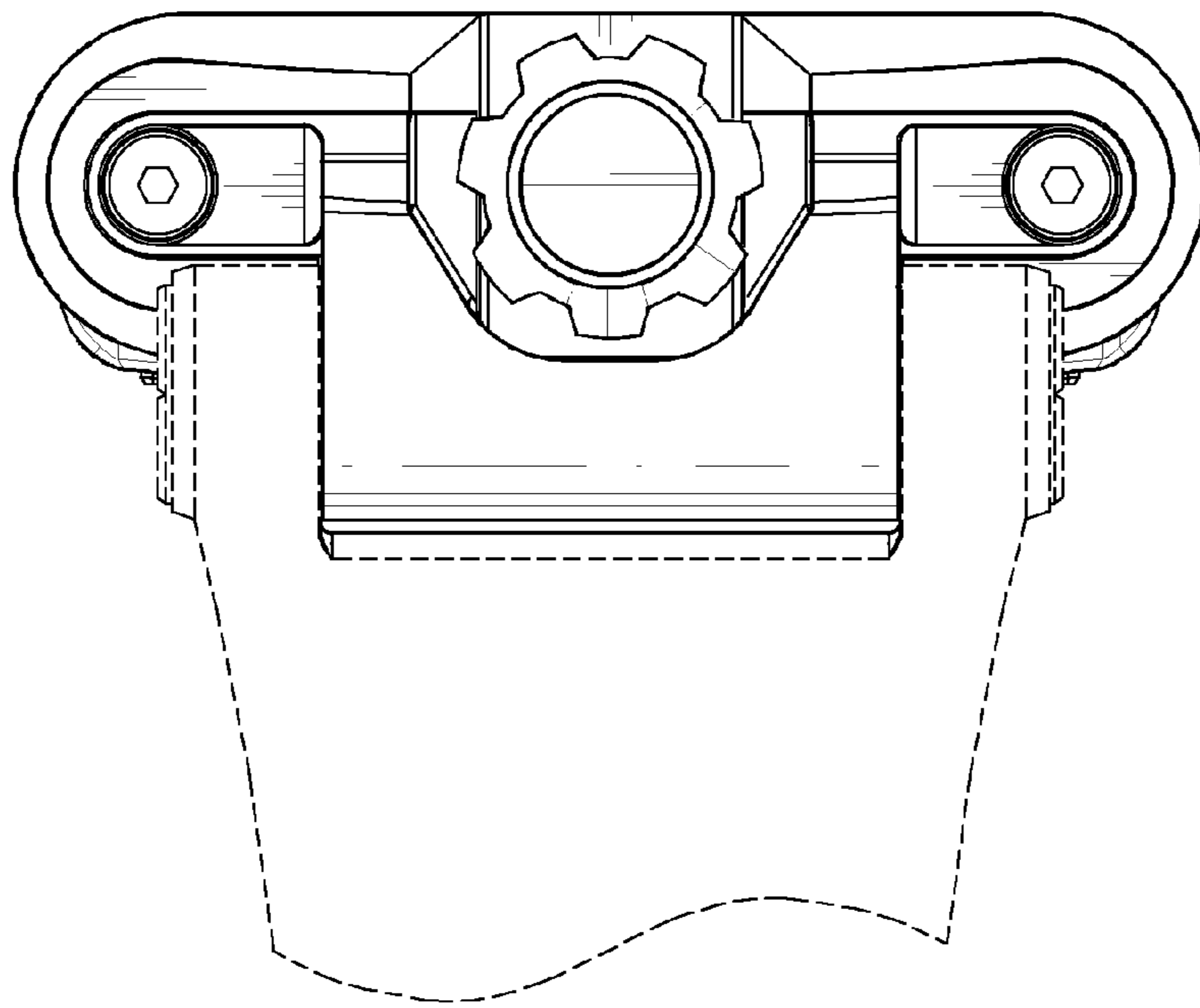


FIG. 2

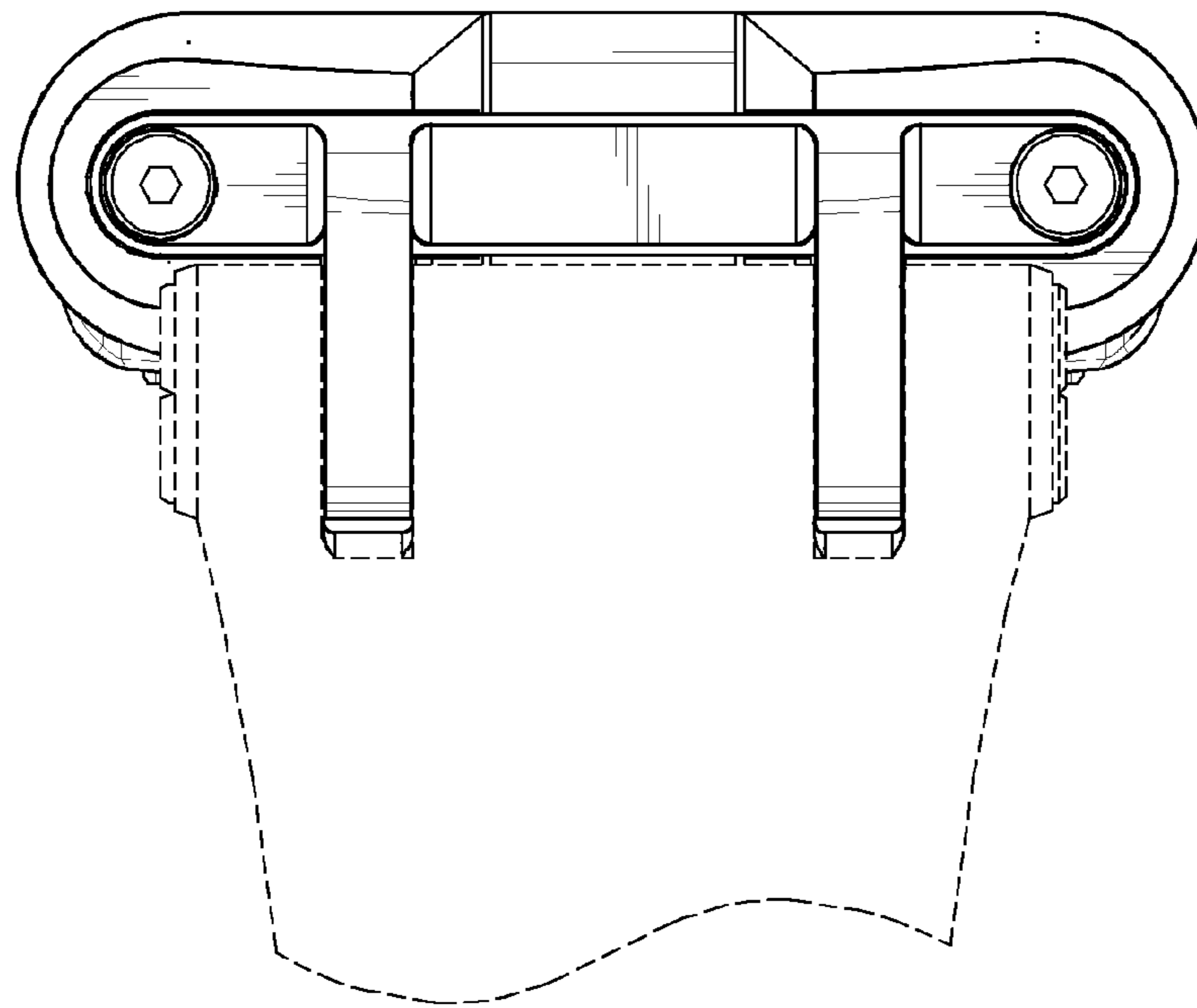


FIG. 3

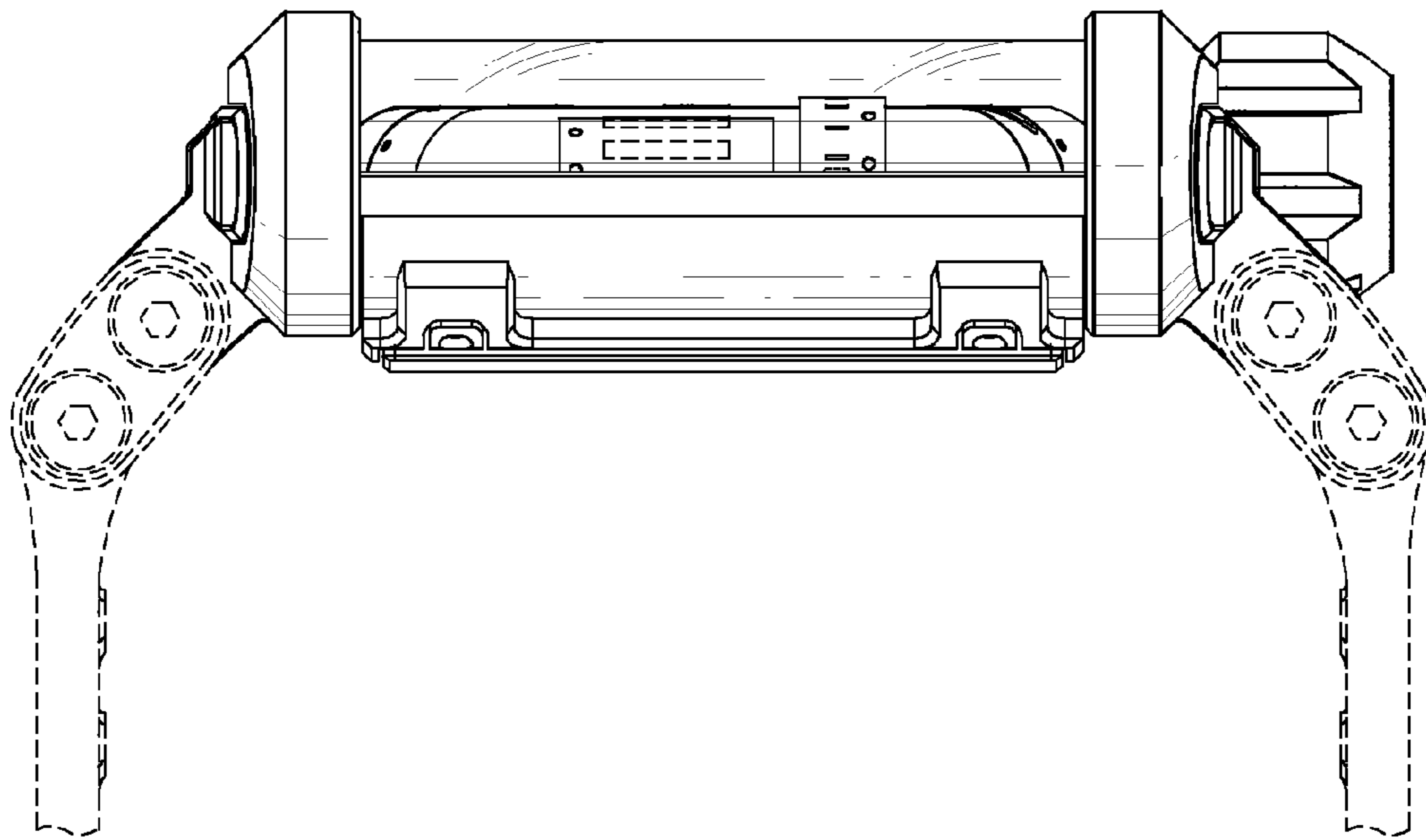


FIG. 4

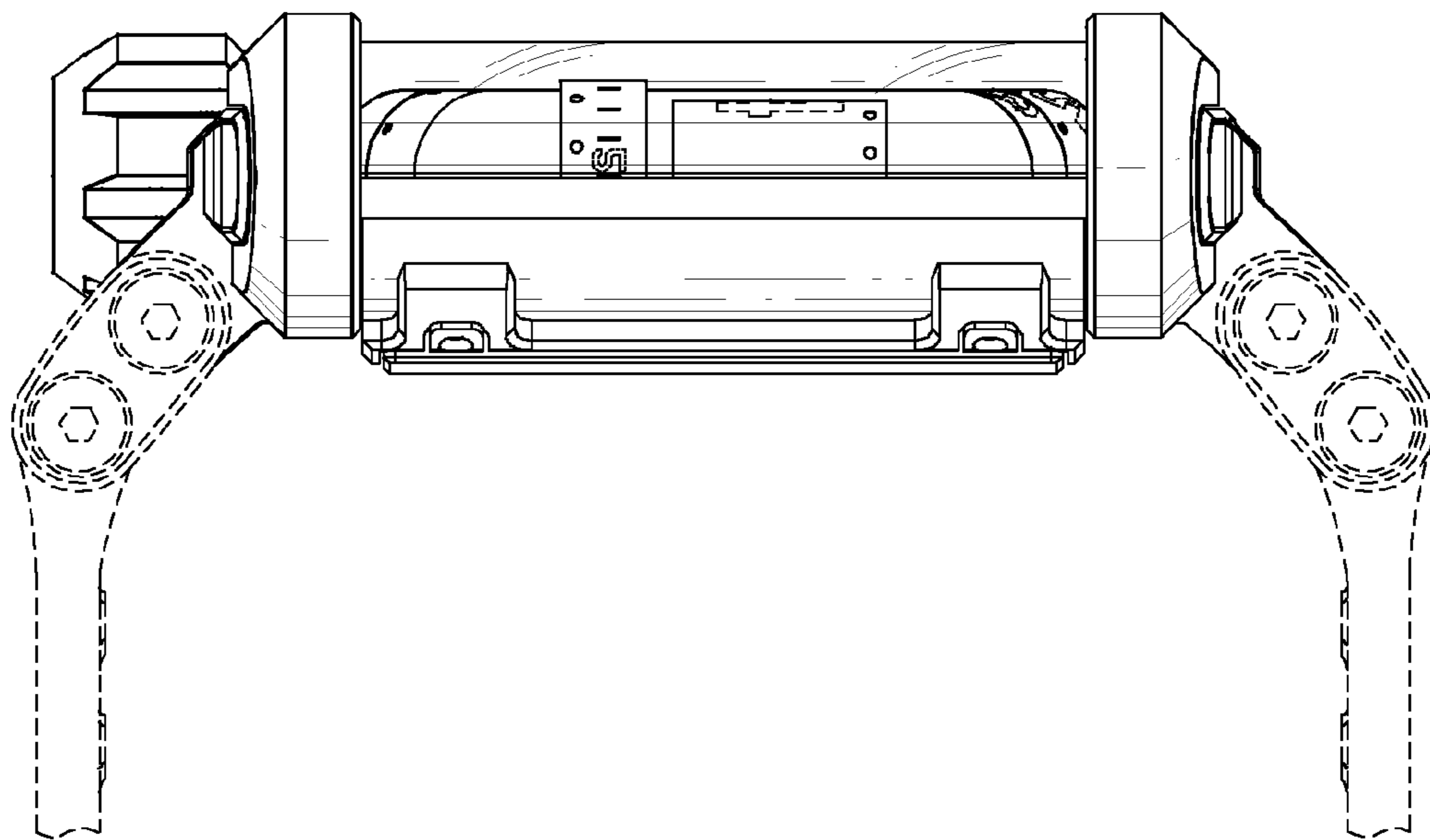


FIG. 5

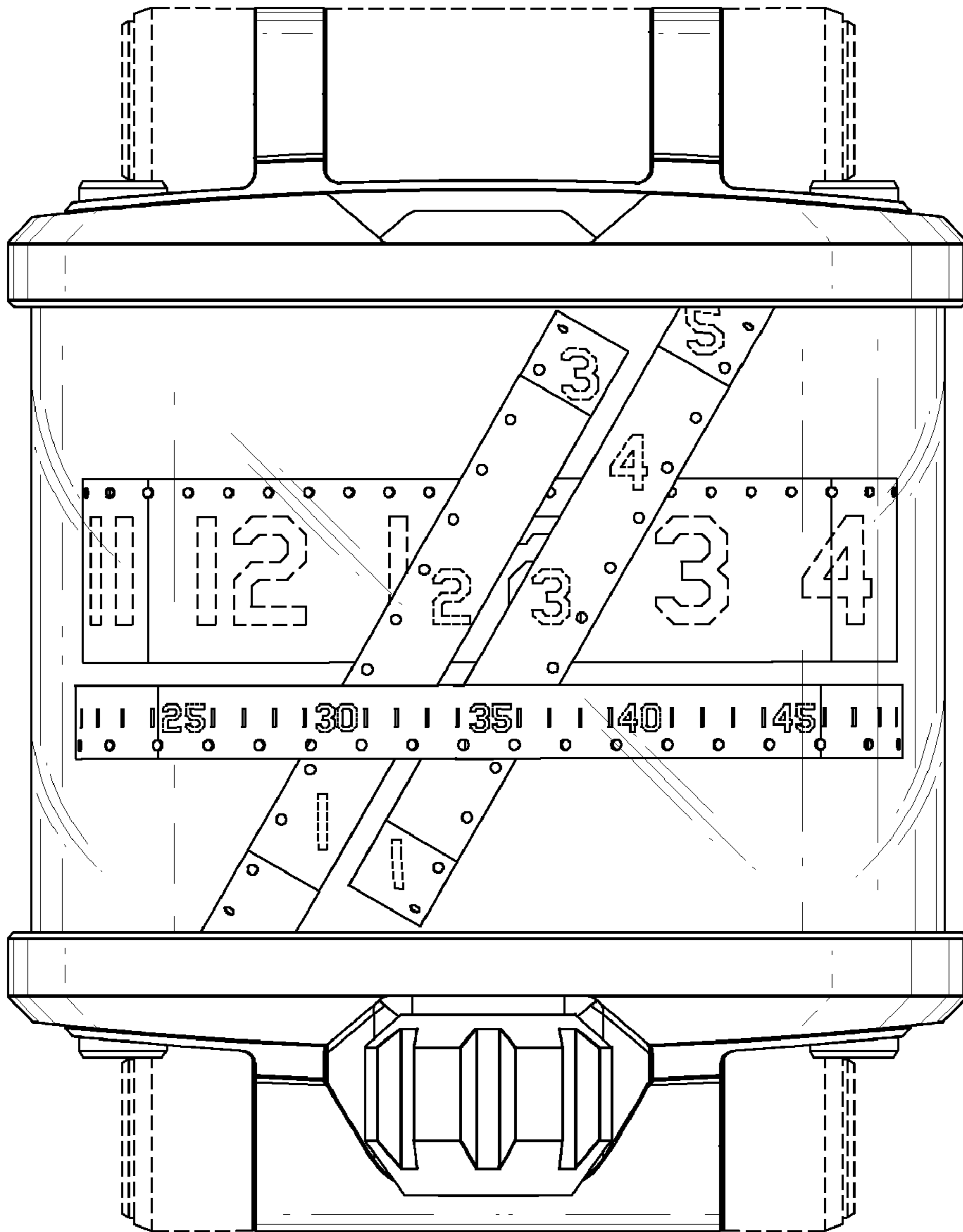


FIG. 6

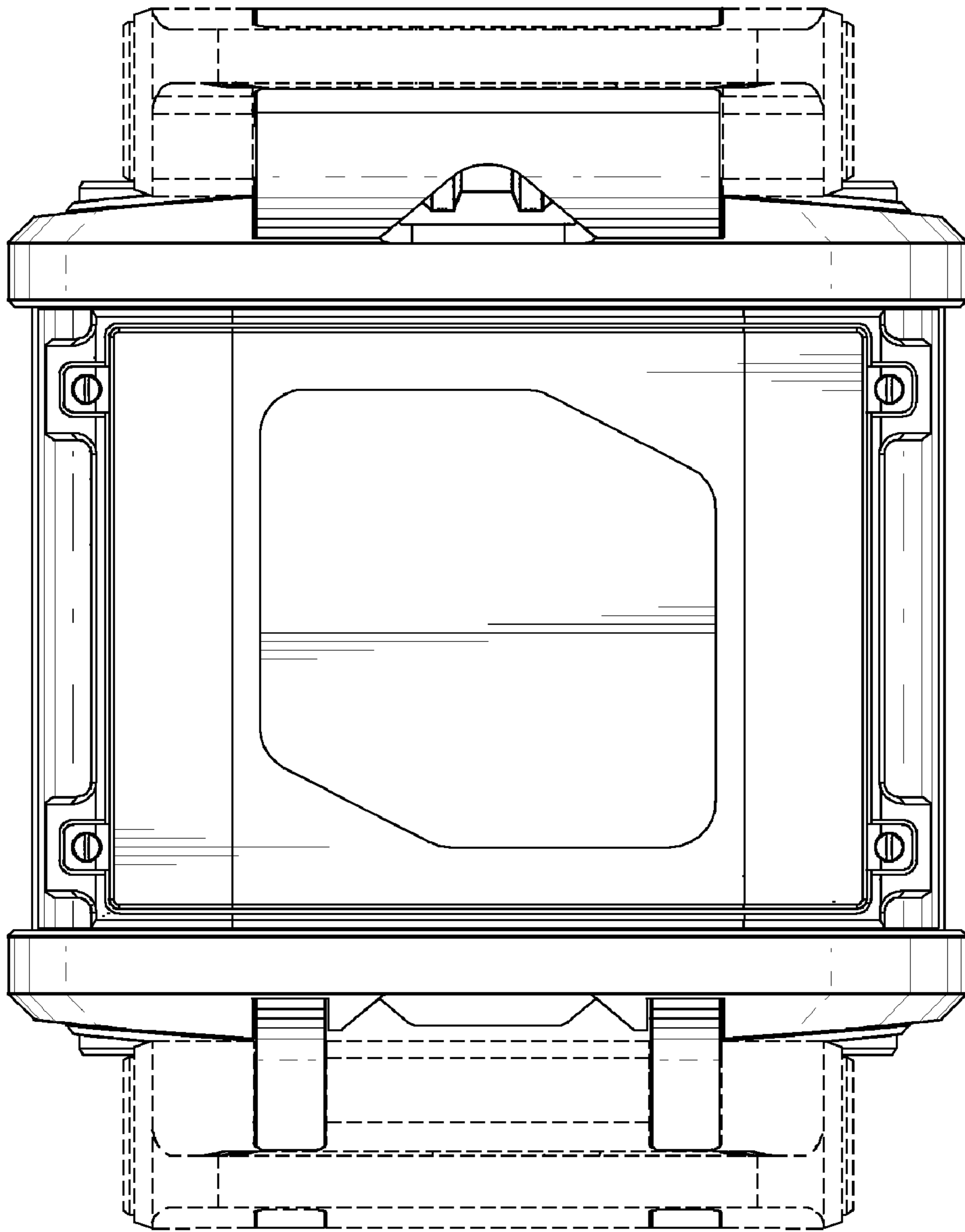


FIG. 7