



US00D631374S

(12) **United States Design Patent**
Hegi

(10) **Patent No.:** **US D631,374 S**
(45) **Date of Patent:** **** *Jan. 25, 2011**

- (54) **WATCH CASE**
- (75) Inventor: **Matthieu Hegi**, Troinex (CH)
- (73) Assignee: **Richemont International SA**, Villars-sur-Glane (CH)
- (*) Notice: This patent is subject to a terminal disclaimer.
- (**) Term: **14 Years**
- (21) Appl. No.: **29/306,630**
- (22) Filed: **Apr. 14, 2008**

Related U.S. Application Data

- (62) Division of application No. 29/245,747, filed on Dec. 29, 2005, now Pat. No. Des. 581,291.

(30) **Foreign Application Priority Data**

Jul. 1, 2005 (WO) DM/066 852

- (51) **LOC (9) Cl.** **10-02**
- (52) **U.S. Cl.** **D10/38**
- (58) **Field of Classification Search** D10/30-39, D10/122-132; 368/276, 281, 282, 285, 294, 368/295

See application file for complete search history.

(56) **References Cited**

U.S. PATENT DOCUMENTS

- 2,062,891 A 12/1936 Kousin
- 2,566,741 A 9/1951 Newhouse
- 3,911,668 A 10/1975 Beguin
- D251,897 S * 5/1979 Davidson D10/39
- D260,494 S * 9/1981 Dinh Van D10/39
- D260,615 S 9/1981 Maroni
- D262,692 S 1/1982 Kurowsky
- D267,478 S * 1/1983 Kanoui D10/32
- 4,506,992 A * 3/1985 Bonnet 368/282
- 4,706,857 A * 11/1987 Aellen et al. 224/164
- 4,855,973 A 8/1989 Crocco
- 4,855,974 A * 8/1989 Steinmann 368/282

- D310,034 S 8/1990 Braun et al.
- D324,828 S 3/1992 Wunderman
- D329,020 S 9/1992 Iwata
- D340,650 S 10/1993 Iwamura
- D353,107 S 12/1994 Ricci
- D362,396 S 9/1995 Chester
- D368,664 S 4/1996 Schick et al.
- D390,131 S * 2/1998 Brezinski D10/32
- D400,445 S * 11/1998 Voegeli D10/32
- D405,016 S * 2/1999 Bach D10/32
- D407,028 S * 3/1999 Luscher D10/32
- D416,814 S * 11/1999 Welsh D10/31
- D420,920 S 2/2000 Bach
- 6,036,359 A 3/2000 Pantet
- D423,950 S * 5/2000 Bulgari D10/32
- D433,949 S * 11/2000 Helleu D10/30
- D479,137 S * 9/2003 Kauffmann D10/39
- D505,086 S 5/2005 Fernandez
- D507,974 S * 8/2005 Strasser D10/30
- D526,218 S 8/2006 Krieger
- 7,134,784 B1 11/2006 Marin

(Continued)

Primary Examiner—Lucy Lieberman
(74) *Attorney, Agent, or Firm*—Young & Thompson

(57) **CLAIM**

The ornamental design for a watch case, as shown and described.

DESCRIPTION

FIG. 1 is a front perspective view of a watch case showing my new design;

FIG. 2 is a left side view thereof;

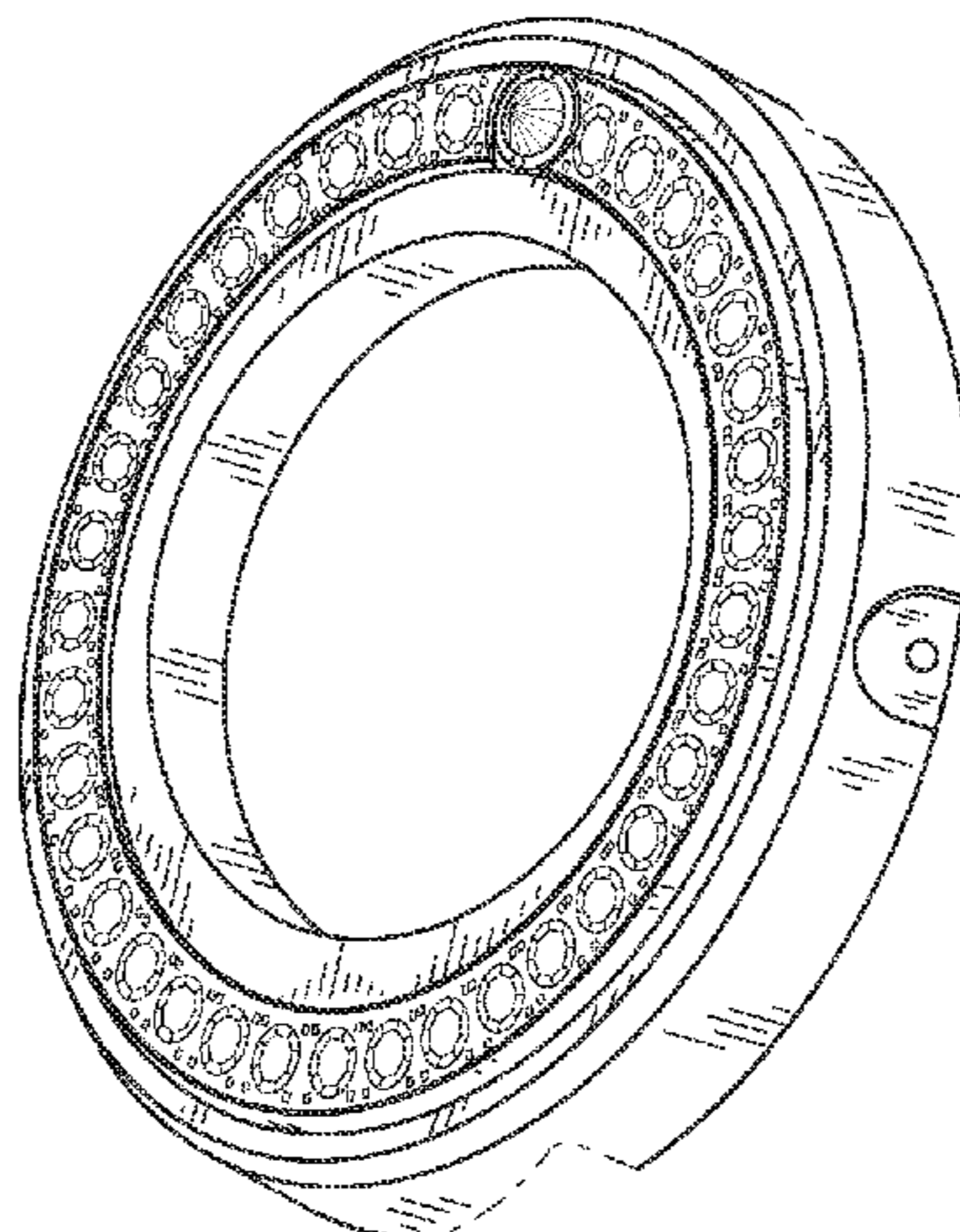
FIG. 3 is a right side view thereof;

FIG. 4 is a bottom view thereof; and,

FIG. 5 is a top view thereof.

The material shown in broken lines is not part of the claimed design.

1 Claim, 3 Drawing Sheets



US D631,374 S

Page 2

U.S. PATENT DOCUMENTS

D555,015 S 11/2007 Pamigiani
D555,520 S 11/2007 Strasser

D581,291 S * 11/2008 Hegi D10/38

* cited by examiner

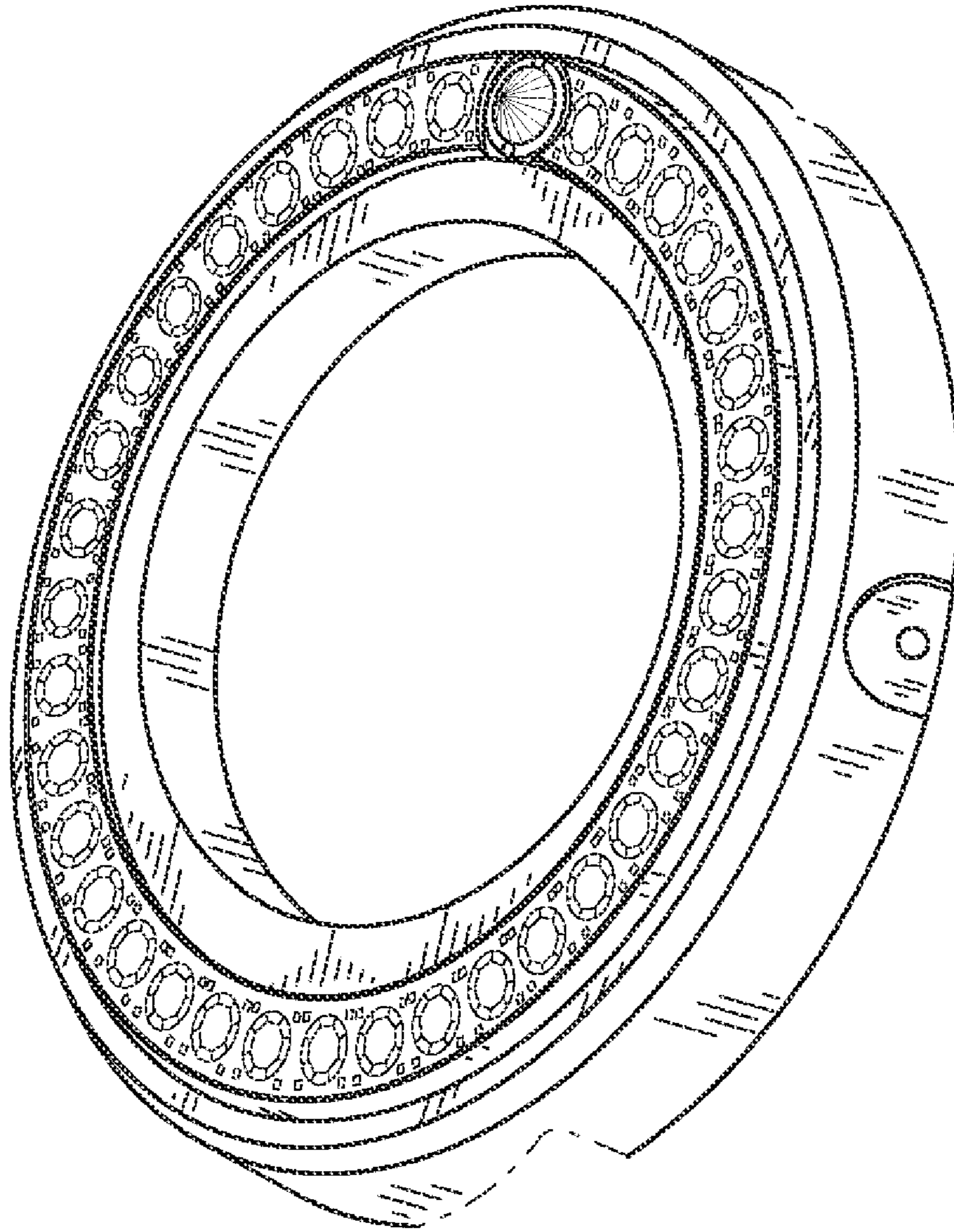


fig. 1

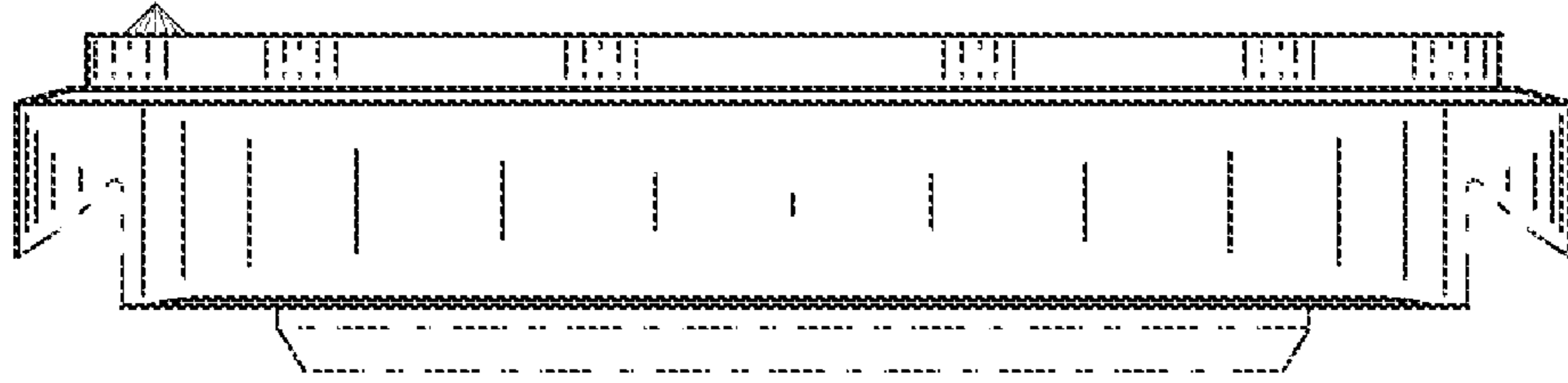


fig. 2

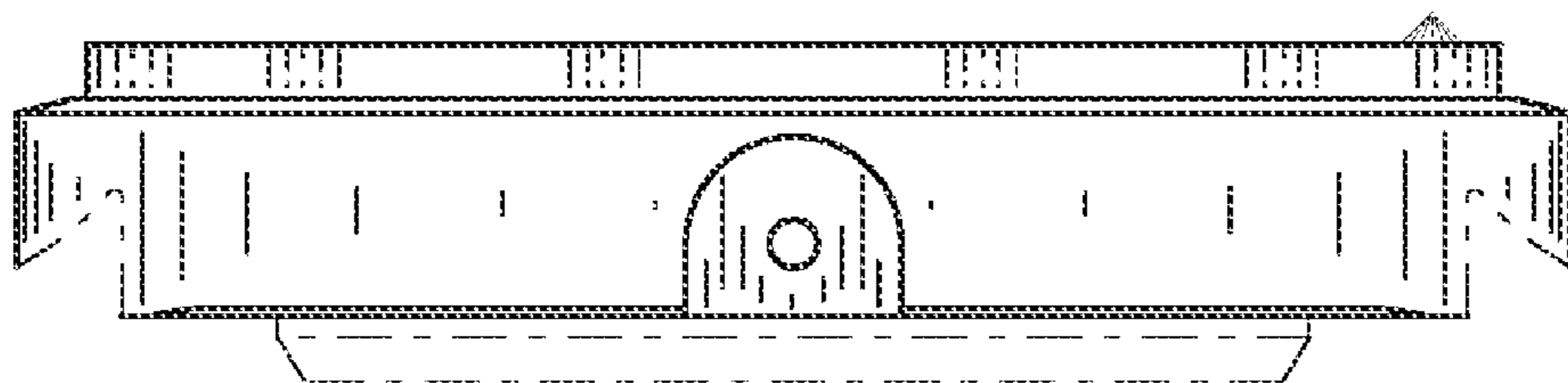


fig. 3

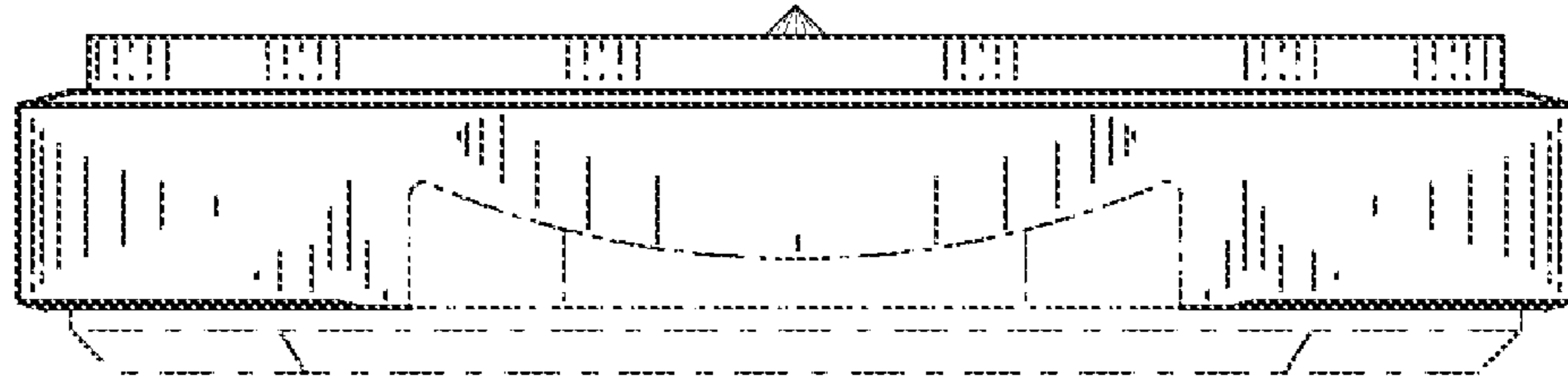


fig. 4

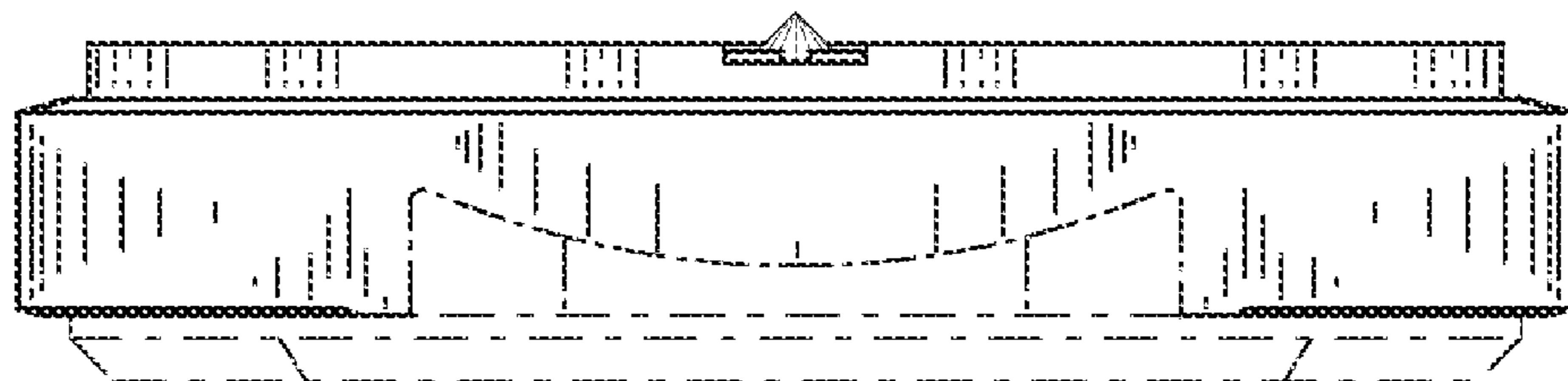


fig. 5