



US00D631364S

(12) **United States Design Patent**
Da Vinci et al.

(10) **Patent No.:** **US D631,364 S**
(45) **Date of Patent:** **** Jan. 25, 2011**

(54) **PERFUME BOTTLE**

(75) Inventors: **Platine Da Vinci**, 8816 Canyon Springs Dr., Las Vegas, NV (US) 89117; **James H. Muir**, Indialantic, FL (US)

(73) Assignee: **Platine Da Vinci**, Las Vegas, NV (US)

(**) Term: **14 Years**

(21) Appl. No.: **29/370,538**

(22) Filed: **Aug. 2, 2010**

(51) **LOC (9) Cl.** **21-01**

(52) **U.S. Cl.** **D9/600; D9/564; D9/573**

(58) **Field of Classification Search** D9/600,
D9/636, 681, 694, 516, 560, 564, 572-575;
206/457-458, 527; 220/890; D99/28
See application file for complete search history.

(56) **References Cited**

U.S. PATENT DOCUMENTS

D257,954 S * 1/1981 Grodin D9/564

D261,728 S * 11/1981 Khula et al. D9/600
D314,406 S * 2/1991 Lerch D21/519
D549,589 S * 8/2007 Lavigne D9/573
D571,218 S * 6/2008 Wagner D9/573

* cited by examiner

Primary Examiner—Sandra Morris

(74) *Attorney, Agent, or Firm*—William M. Hobby, III

(57) **CLAIM**

The ornamental design for a perfume bottle, as shown.

DESCRIPTION

FIG. 1 is a right front perspective view of my new perfume bottle;

FIG. 2 is a right side elevation view;

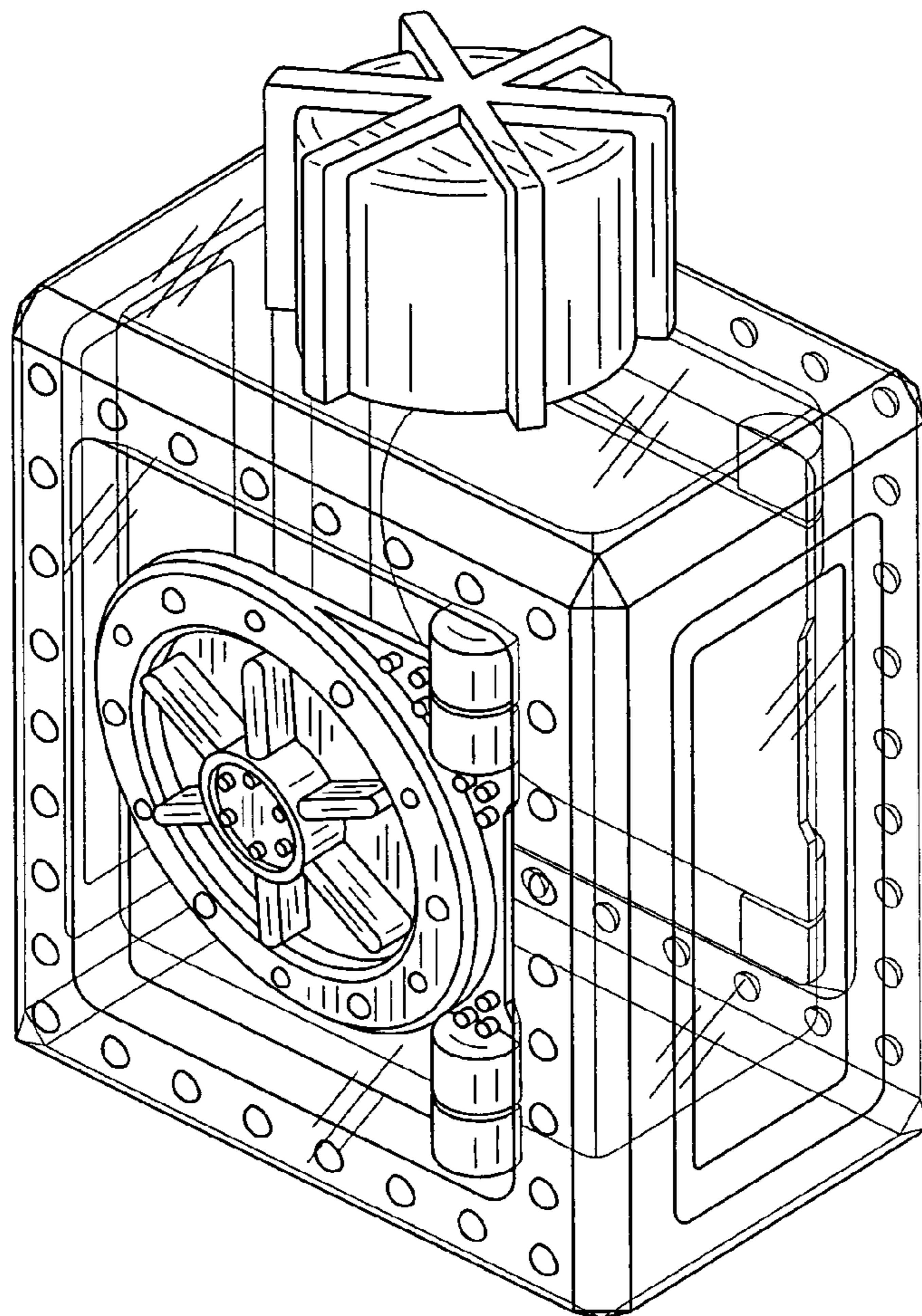
FIG. 3 is a front elevation view;

FIG. 4 is a left side elevation view;

FIG. 5 is a top plan view; and,

FIG. 6 is a bottom plan view.

1 Claim, 3 Drawing Sheets



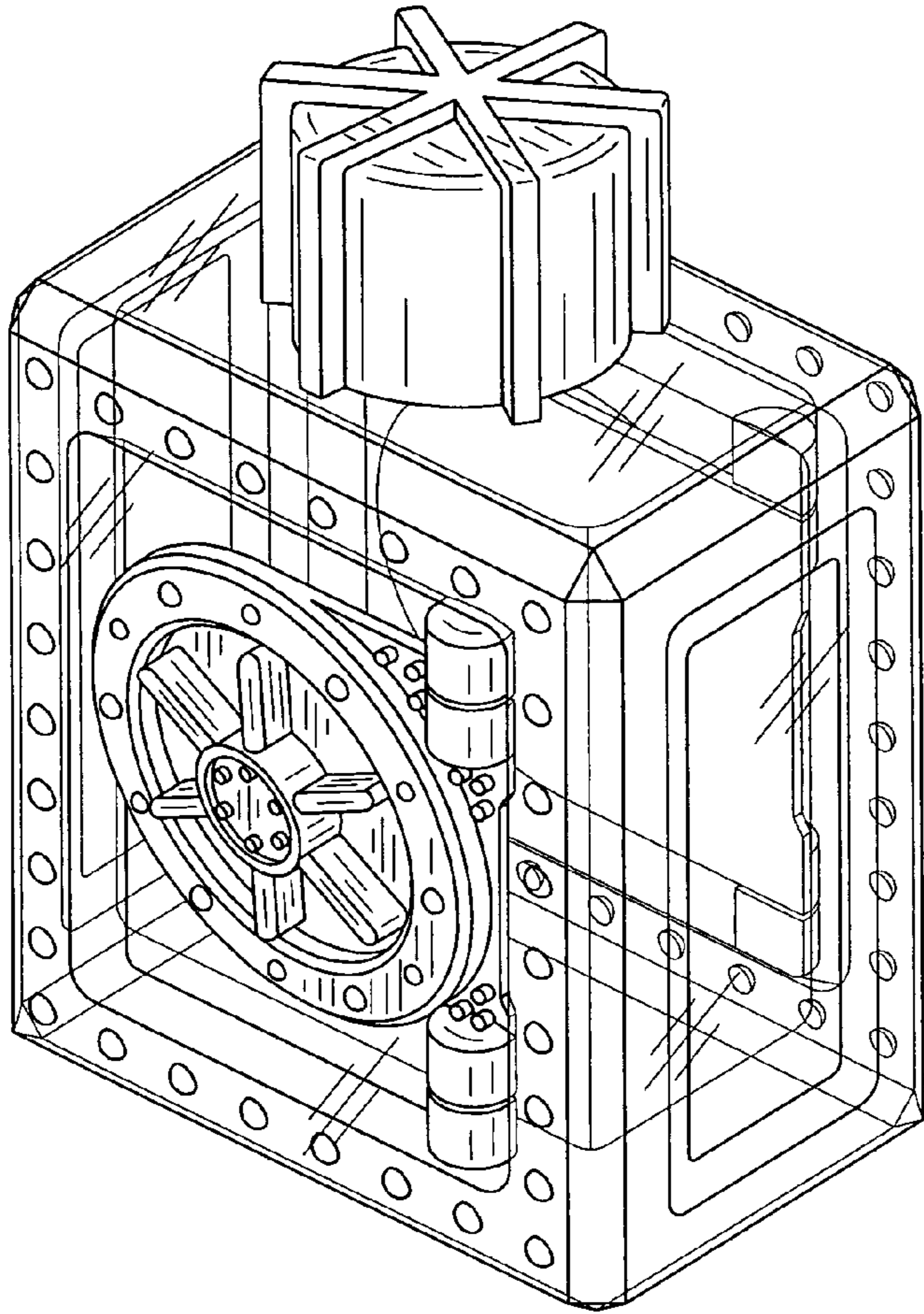


FIG. 1

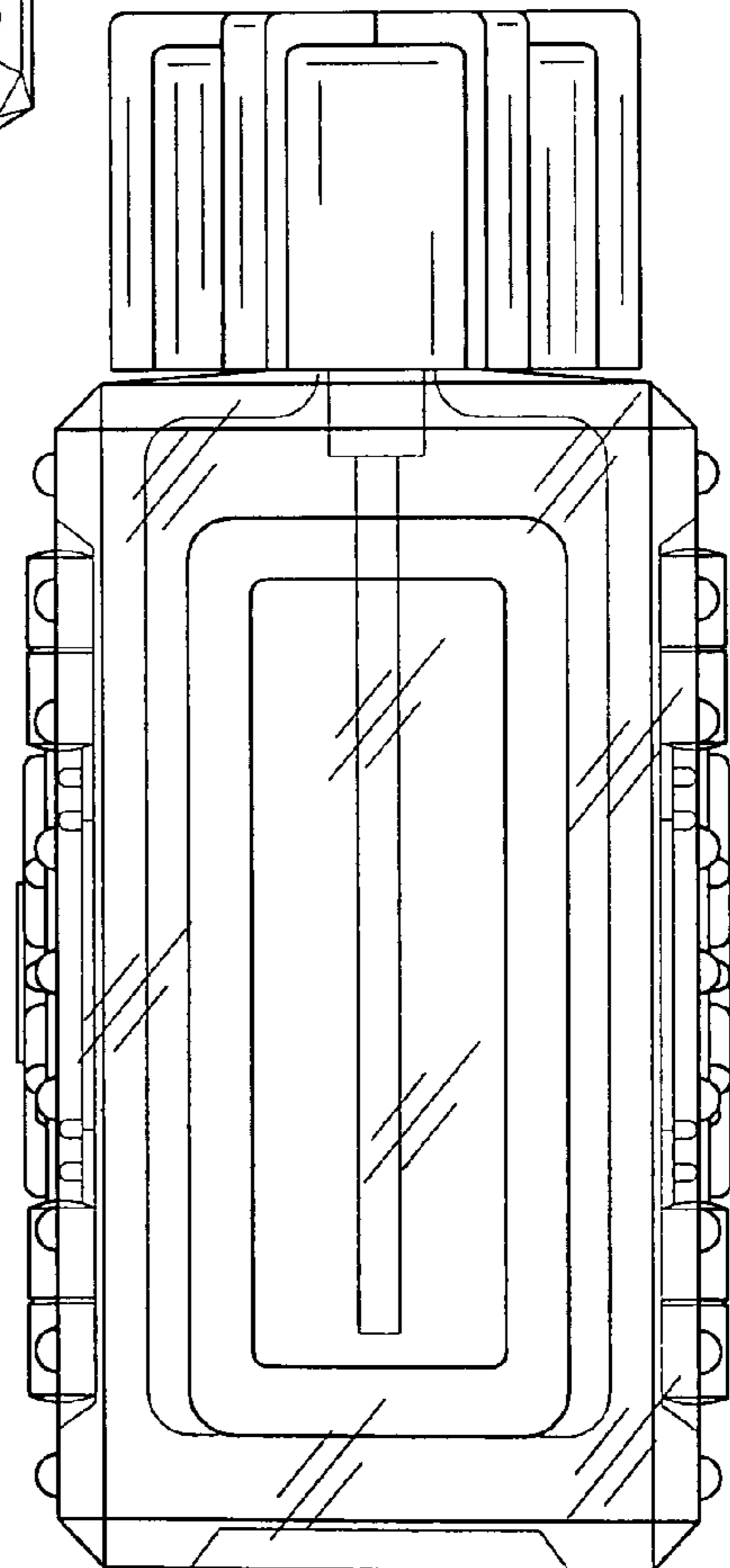


FIG. 2

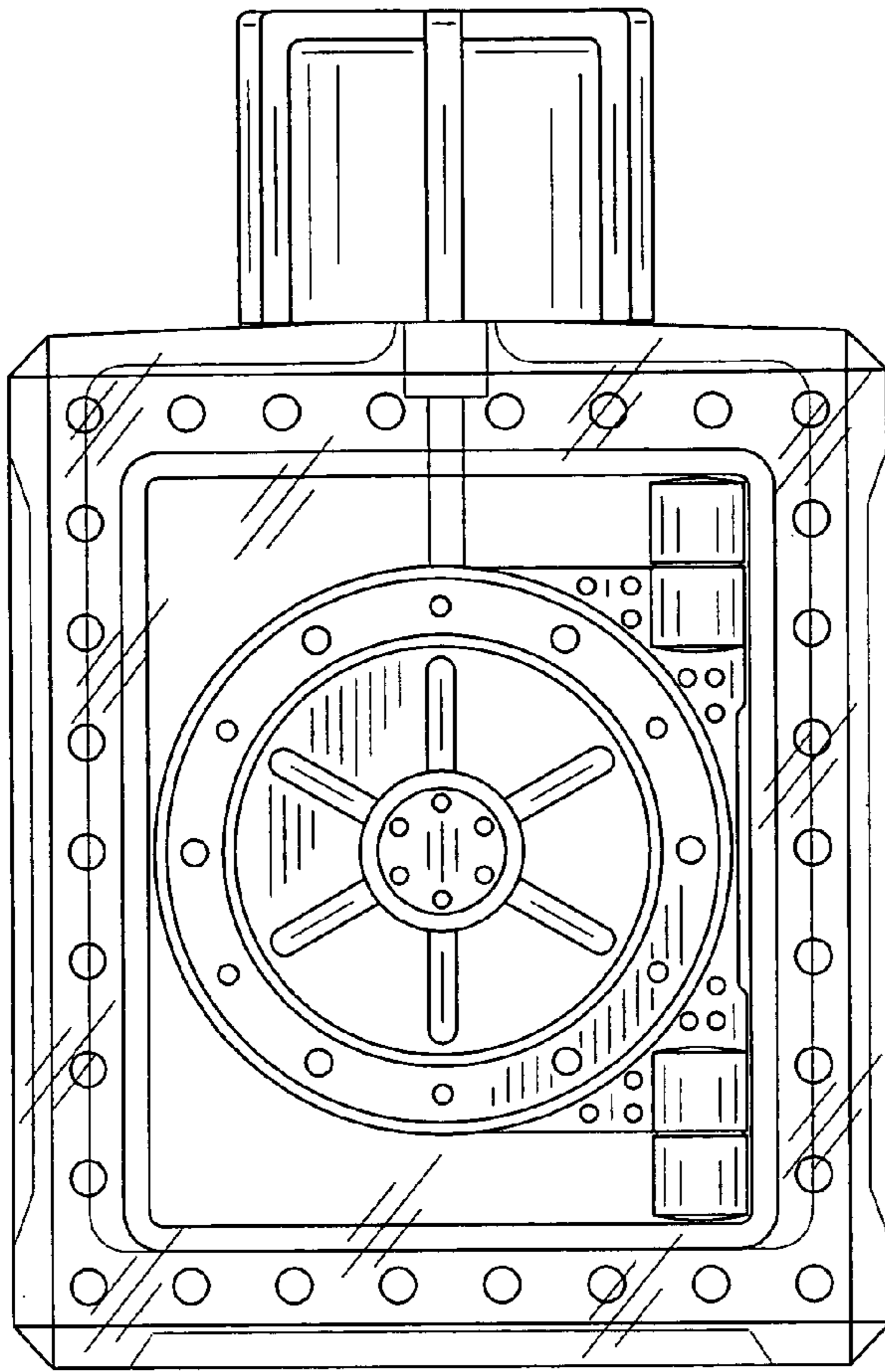


FIG. 3

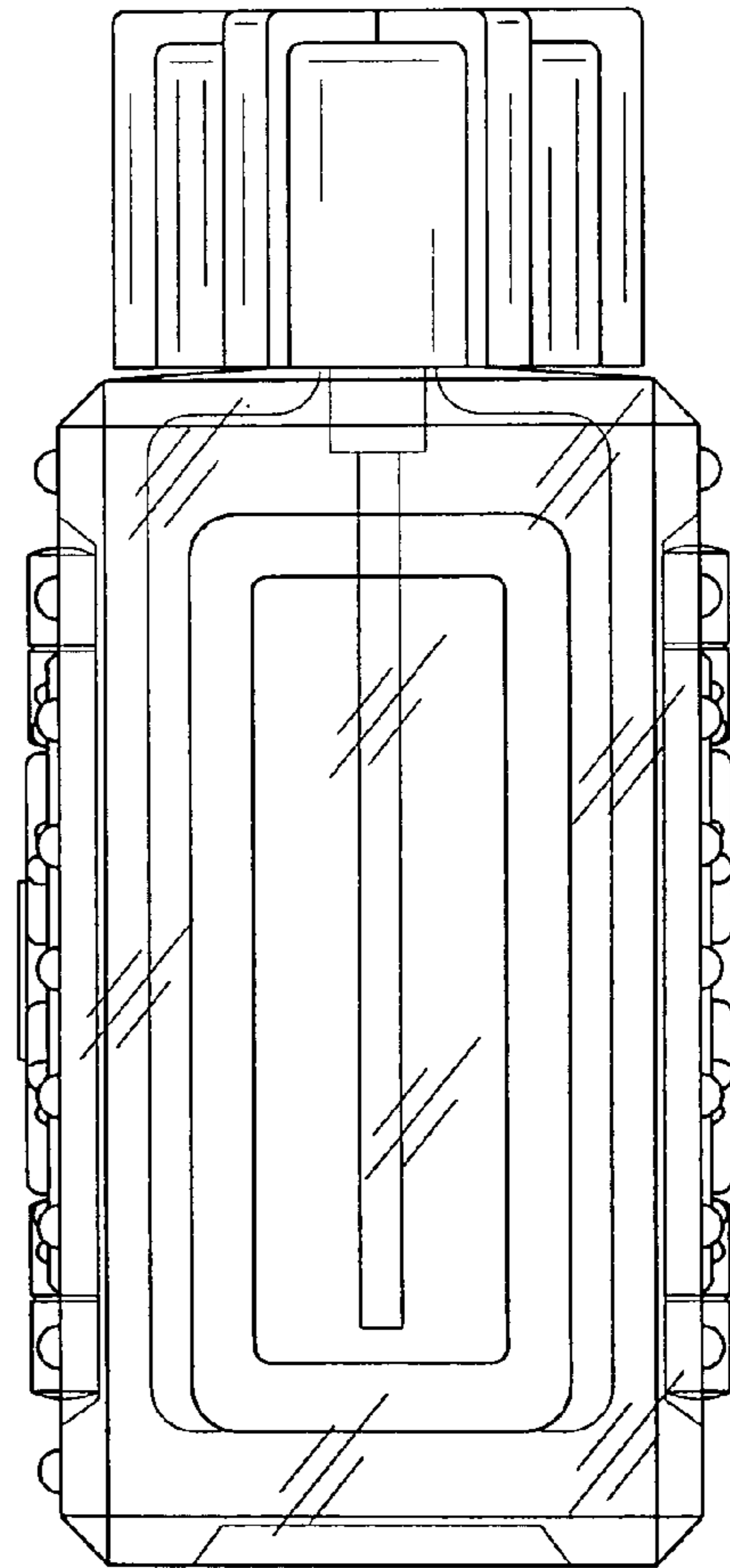


FIG. 4

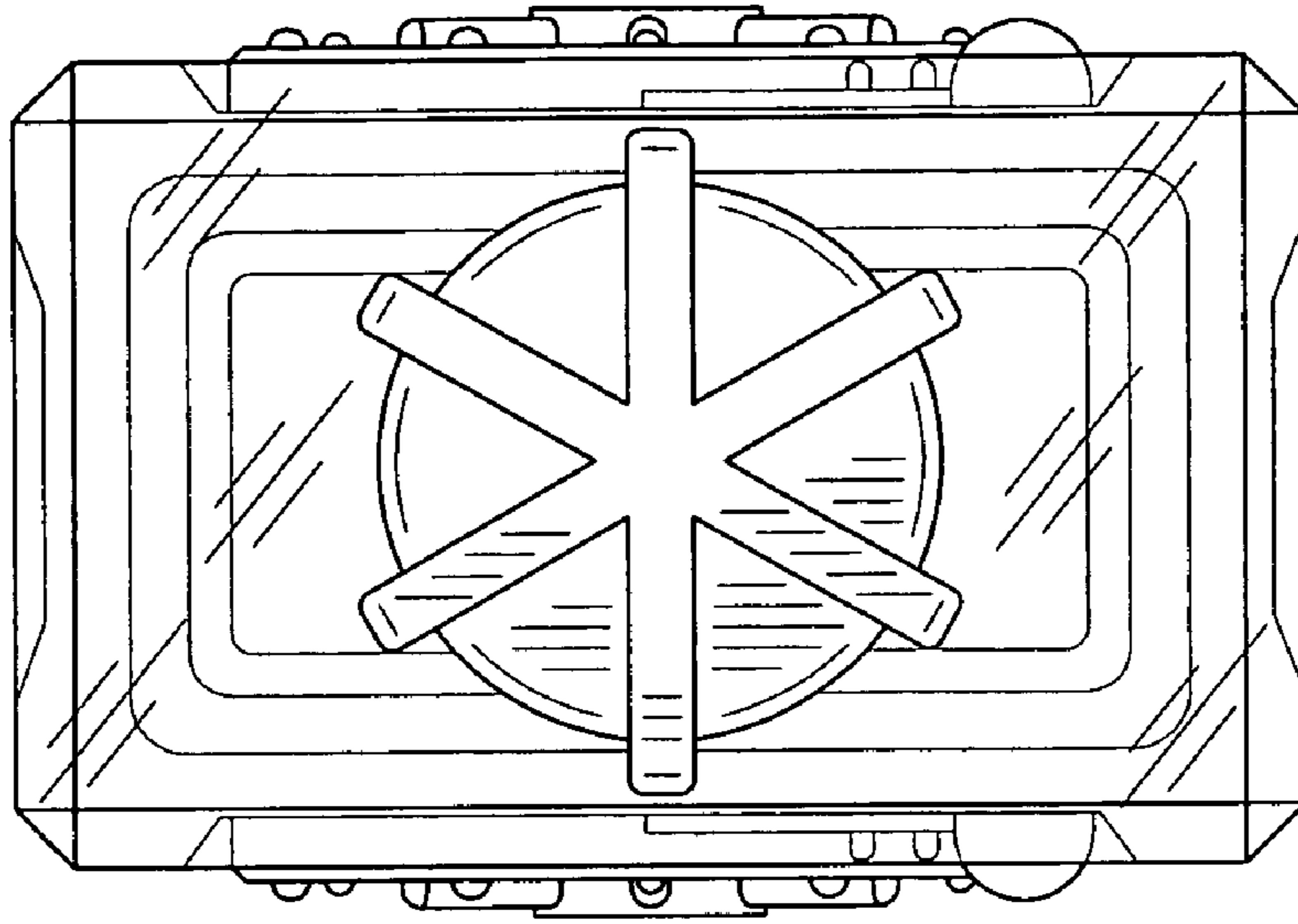


FIG. 5

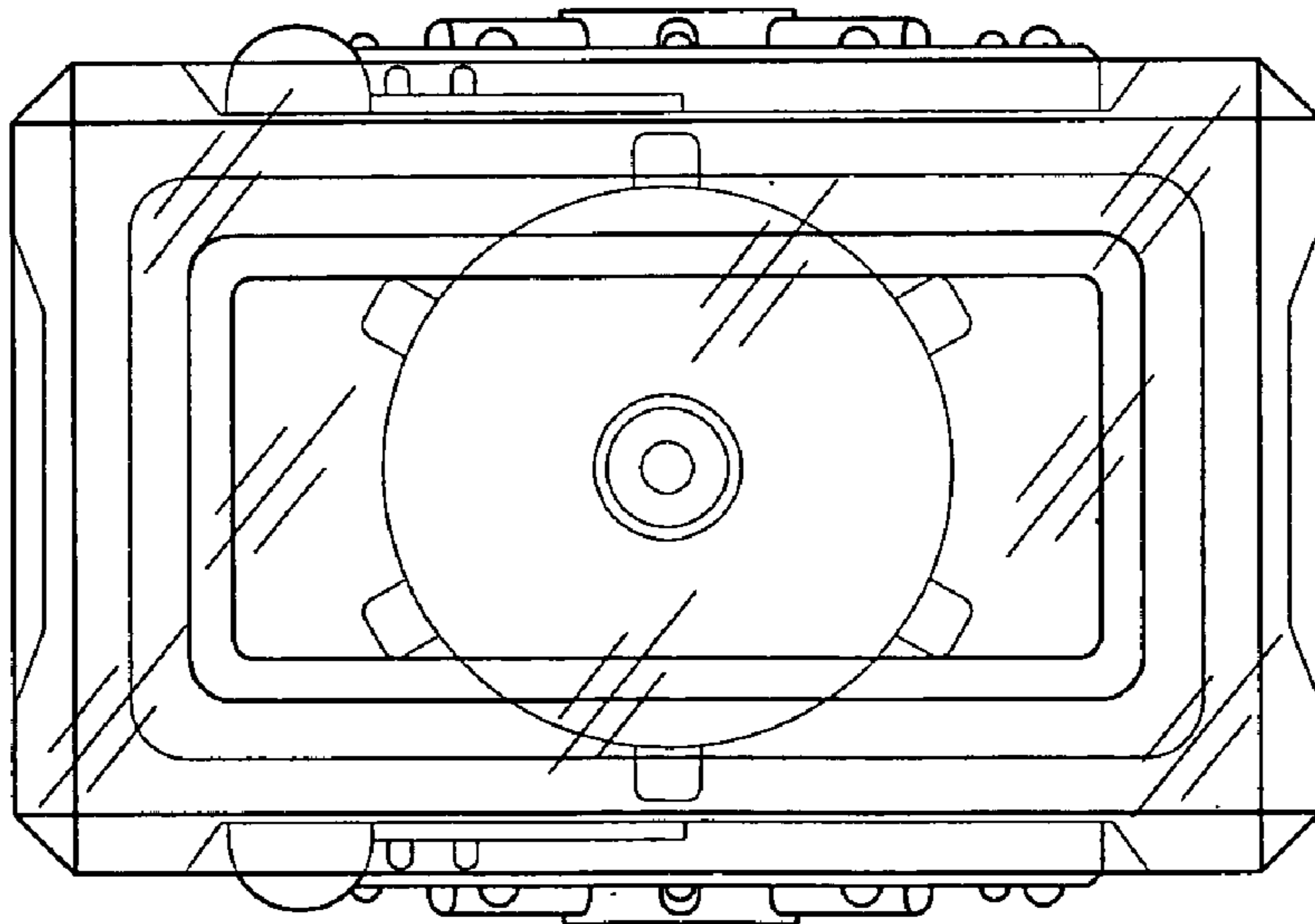


FIG. 6