



US00D631357S

(12) **United States Design Patent**  
**Pagliario**

(10) **Patent No.:** **US D631,357 S**

(45) **Date of Patent:** **\*\* Jan. 25, 2011**

(54) **BOTTLE AND CAP**

(75) Inventor: **Joseph B. Pagliario**, Branford, CT (US)

(73) Assignee: **Diageo North America, Inc.**, Norwalk, CT (US)

(\*\*) Term: **14 Years**

(21) Appl. No.: **29/358,333**

(22) Filed: **Mar. 25, 2010**

(51) **LOC (9) Cl.** ..... **09-01**

(52) **U.S. Cl.** ..... **D9/502; D9/503; D7/300.1**

(58) **Field of Classification Search** ..... D9/500,  
D9/502-505, 516, 537-540, 545-546, 549-550,  
D9/557-558, 574-575, 682, 686, 688-692,  
D9/763-764, 772-773, 776-777, 905; D7/300,  
D7/300.1, 589, 591, 597-598, 601, 605, 608;  
215/379, 381-384; 220/660, 662, 669-673,  
220/675

See application file for complete search history.

(56) **References Cited**

**U.S. PATENT DOCUMENTS**

1,094,712 A \* 4/1914 Gale ..... 220/568  
1,450,279 A \* 4/1923 Chick ..... 220/8  
D198,054 S \* 4/1964 Lowry ..... D9/504  
D258,199 S \* 2/1981 Torongo, Jr. .... D9/726

D463,734 S \* 10/2002 Gobe ..... D9/691  
D473,460 S \* 4/2003 Whitworth ..... D9/716  
D477,230 S \* 7/2003 Takaichi ..... D9/538  
D483,982 S \* 12/2003 Irvine ..... D7/300.1  
D484,401 S \* 12/2003 Dretzka ..... D9/691  
D510,497 S \* 10/2005 Hou ..... D7/300.1  
D536,976 S \* 2/2007 Ciulla et al. .... D9/500  
D555,489 S \* 11/2007 Corrado ..... D9/547  
D592,061 S \* 5/2009 Rica ..... D9/500

\* cited by examiner

*Primary Examiner*—Charles A Rademaker

*Assistant Examiner*—Dana L Sipos

(74) *Attorney, Agent, or Firm*—Morgan, Lewis & Bockius LLP

(57) **CLAIM**

The ornamental design for a bottle and cap, as shown.

**DESCRIPTION**

FIG. 1 is a top perspective view of a bottle and cap showing my new design;

FIG. 2 is a bottom perspective view thereof;

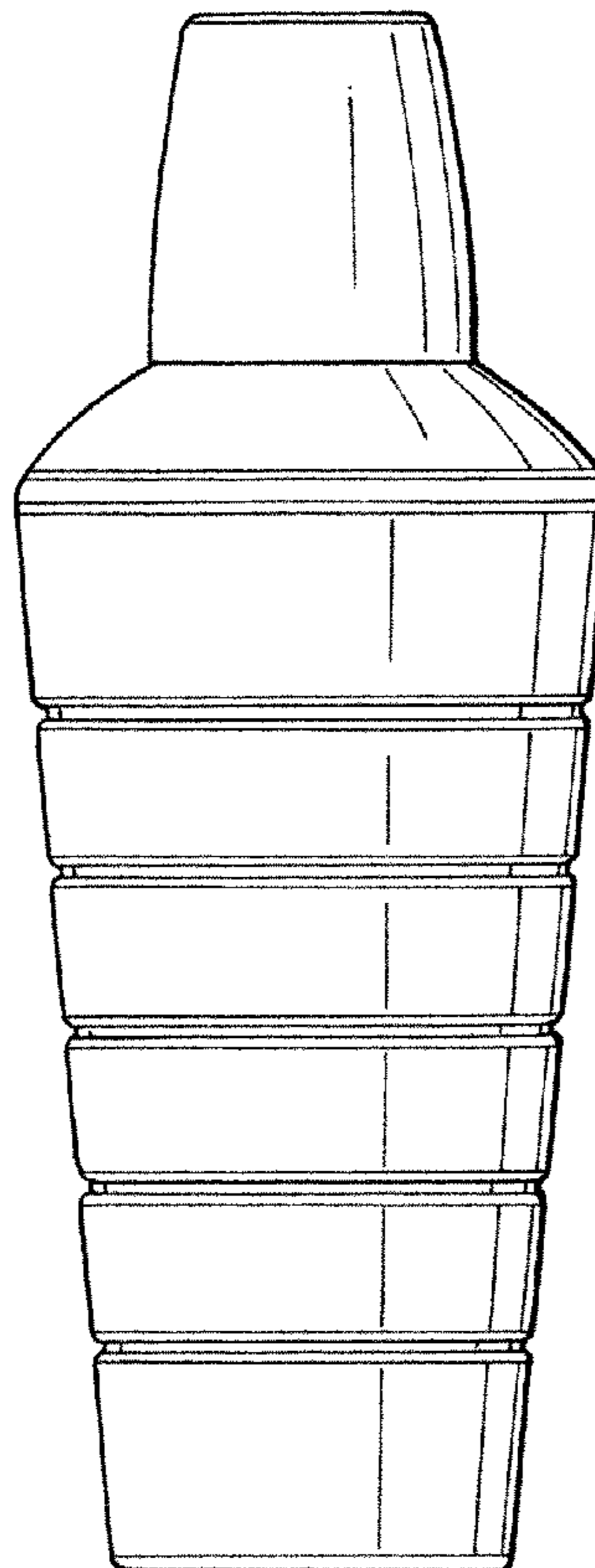
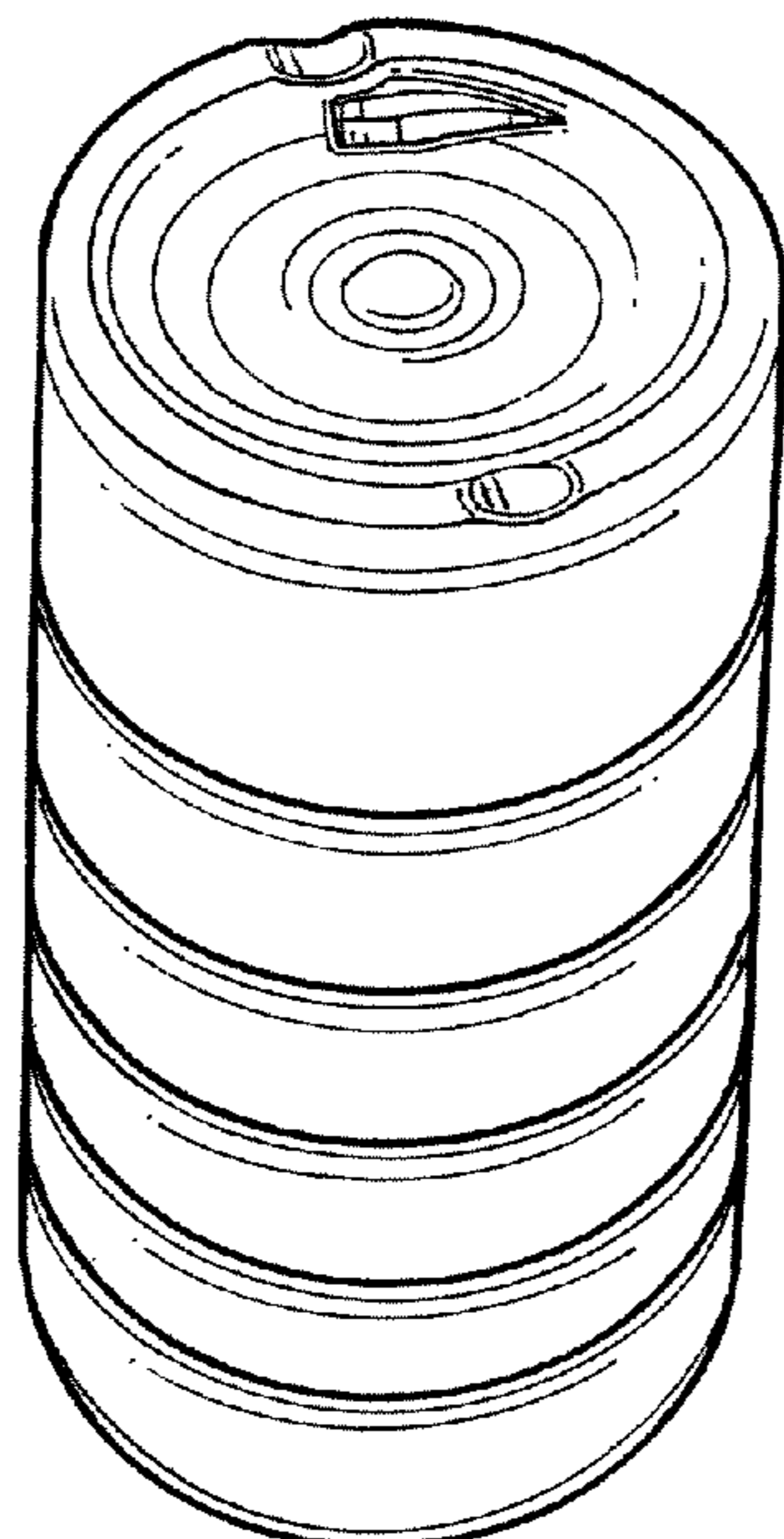
FIG. 3 is a front elevation view thereof;

FIG. 4 is a top plan view thereof;

FIG. 5 is a bottom plan view thereof; and,

FIG. 6 is a side elevation view thereof.

**1 Claim, 3 Drawing Sheets**



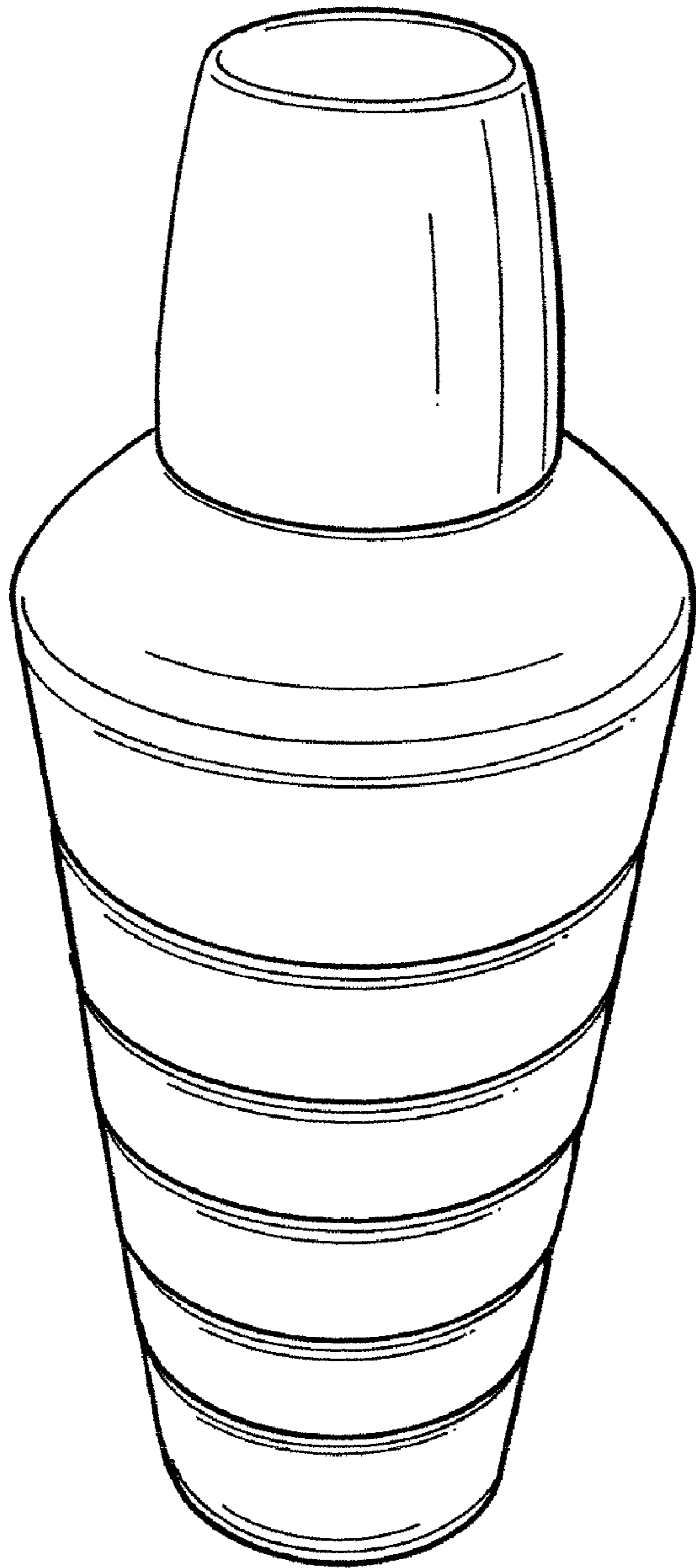


FIG. 1

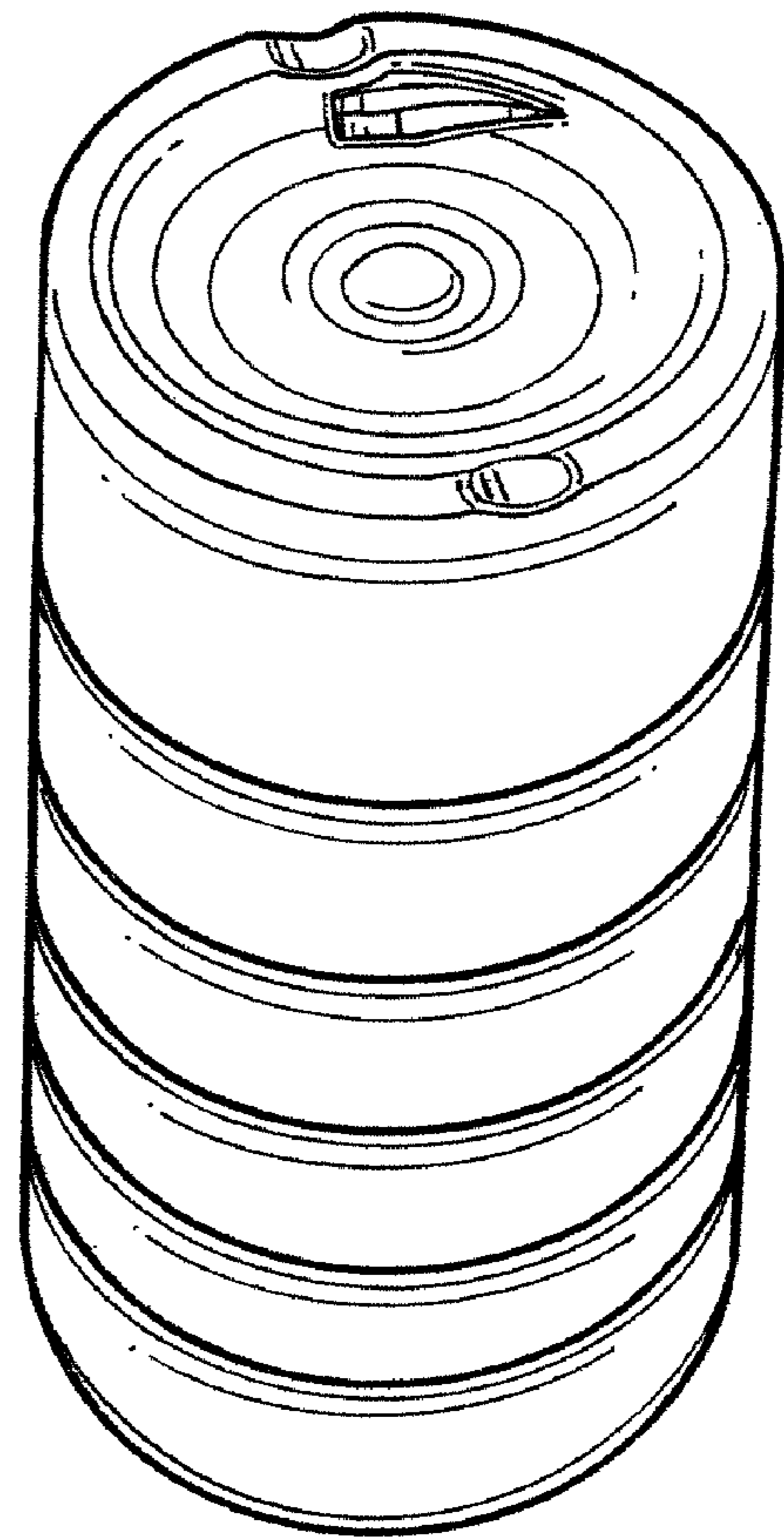
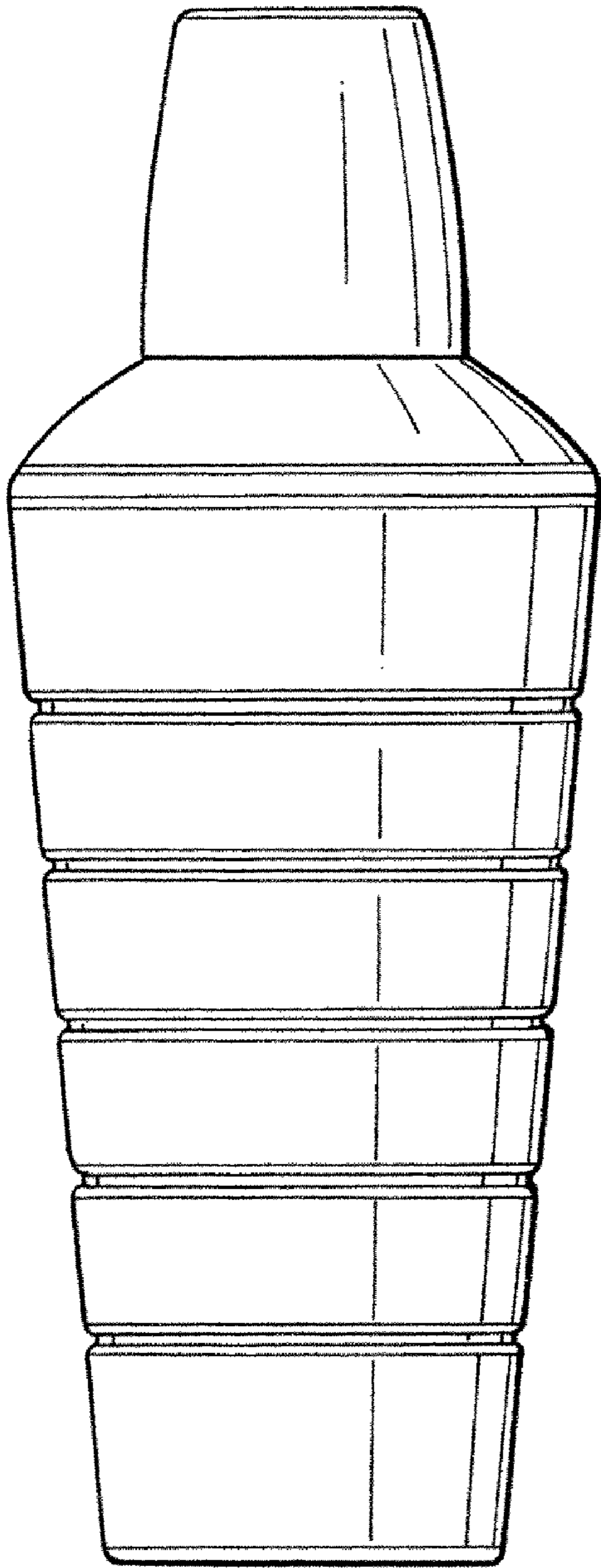
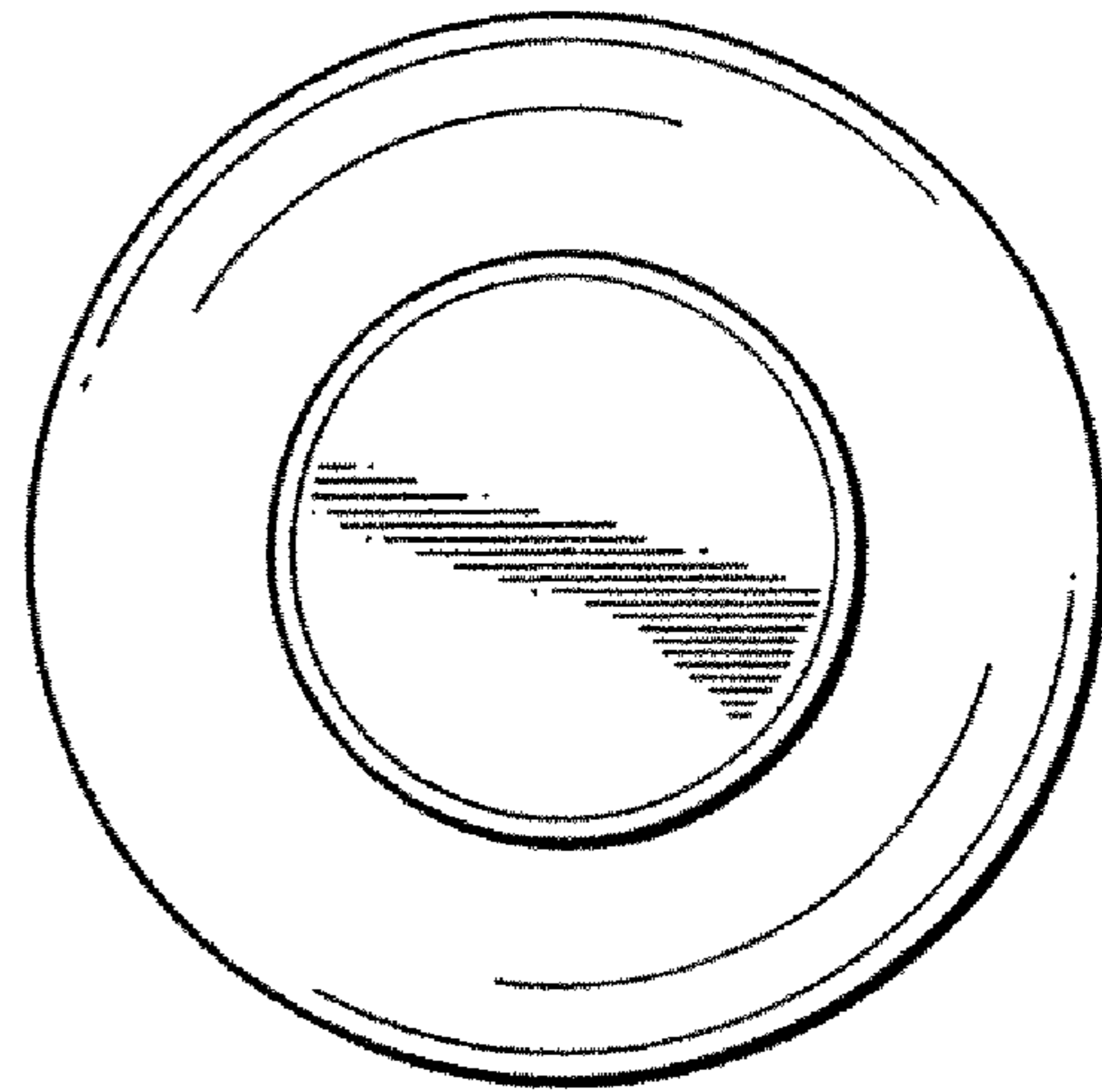


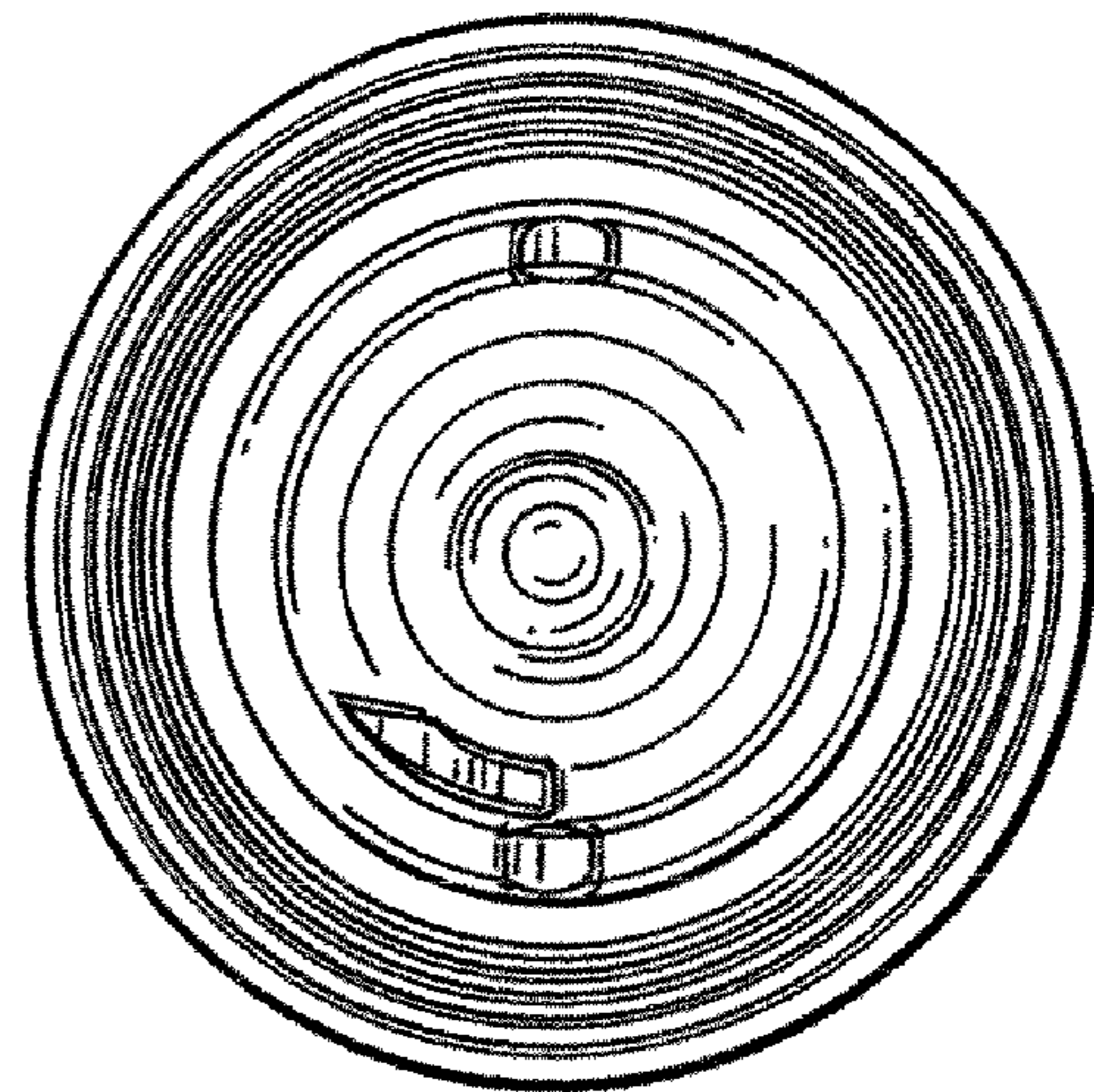
FIG. 2



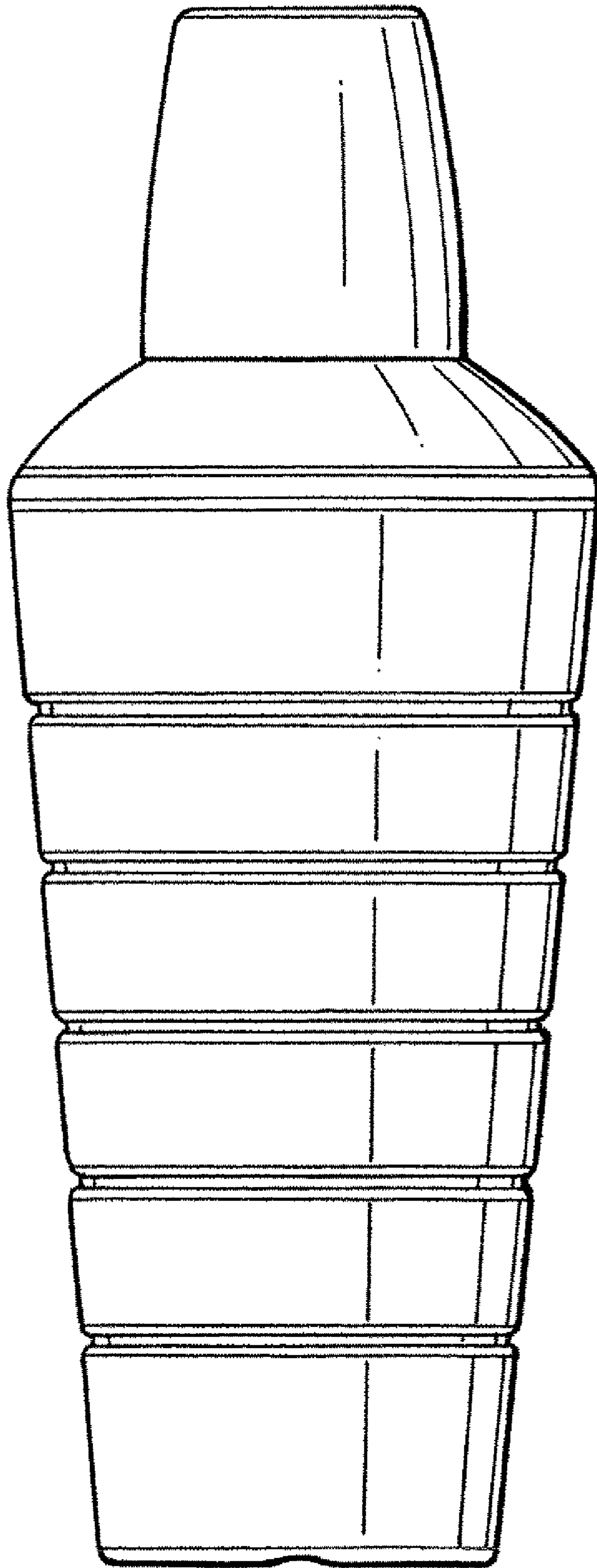
**FIG. 3**



**FIG. 4**



**FIG. 5**



**FIG. 6**