



US00D631356S

(12) **United States Design Patent**  
**Barsoumian**

(10) **Patent No.:** **US D631,356 S**  
(45) **Date of Patent:** **\*\* Jan. 25, 2011**

- (54) **BOTTLE**
  - (75) Inventor: **Maral Barsoumian**, Camarillo, CA (US)
  - (73) Assignee: **Jamara Licensing, LLC**, Camarillo, CA (US)
  - (\*\*) Term: **14 Years**
  - (21) Appl. No.: **29/348,130**
  - (22) Filed: **Dec. 2, 2009**
  - (51) **LOC (9) Cl.** ..... **09-01**
  - (52) **U.S. Cl.** ..... **D9/500**
  - (58) **Field of Classification Search** ..... D9/500, D9/502-505, 516, 537-540, 545-546, 549-550, D9/557-558, 574-575, 682, 686, 688-692, D9/763-764, 772-773, 776-777, 905; D99/5; D11/143, 152-154; D7/300, 300.1, 589, D7/591, 598, 601, 605, 608; 215/379, 381-384; 220/660, 662, 669-673, 675
- See application file for complete search history.

- 4,872,764 A 10/1989 McClean
- D330,859 S \* 11/1992 Schaeffer ..... D9/503
- D365,759 S \* 1/1996 Otani et al. .... D9/504
- D384,236 S 9/1997 Douer
- D424,444 S 5/2000 Lefebvre
- D429,593 S 8/2000 Thuma
- D473,460 S 4/2003 Whitworth
- D480,590 S 10/2003 Linz et al.
- D483,982 S 12/2003 Irvine
- D500,678 S \* 1/2005 Park et al. .... D9/502
- D505,591 S \* 5/2005 Bodum ..... D7/507
- 6,913,165 B2 7/2005 Linz et al.
- D517,923 S 3/2006 Iturriza

(56) **References Cited**  
U.S. PATENT DOCUMENTS

- 300,867 A 6/1884 Hauck
- 324,173 A 8/1885 Seips
- D23,892 S \* 12/1894 Gulden ..... D9/500
- 1,042,751 A 10/1912 Barker
- 1,094,712 A \* 4/1914 Gale ..... 220/568
- 1,201,284 A 10/1916 Gilchrist
- 1,568,691 A 1/1926 Pierson
- 1,657,927 A 1/1928 Heinzen
- 1,740,223 A 12/1929 Burvenick
- 1,744,328 A 1/1930 Morley
- 1,765,129 A 6/1930 Cooke
- D83,427 S \* 2/1931 Byfield ..... D9/500
- 2,013,615 A 9/1935 Fontan
- 2,090,998 A 8/1937 Gessler
- 2,500,611 A 3/1950 Kereluck
- D230,954 S 3/1974 Gregoriette
- D291,523 S 8/1987 Minuti
- D297,308 S 8/1988 Lyons

(Continued)

**OTHER PUBLICATIONS**

Williams-Sonoma, Inc., "Insulated Cocktail Shaker", photograph of stainless steel cocktail shaker and packaging carton therefor, copyright 2006.

*Primary Examiner*—Charles A Rademaker  
*Assistant Examiner*—Dana L Sipos  
(74) *Attorney, Agent, or Firm*—David Weiss

(57) **CLAIM**

The ornamental design for a bottle, as shown and described.

**DESCRIPTION**

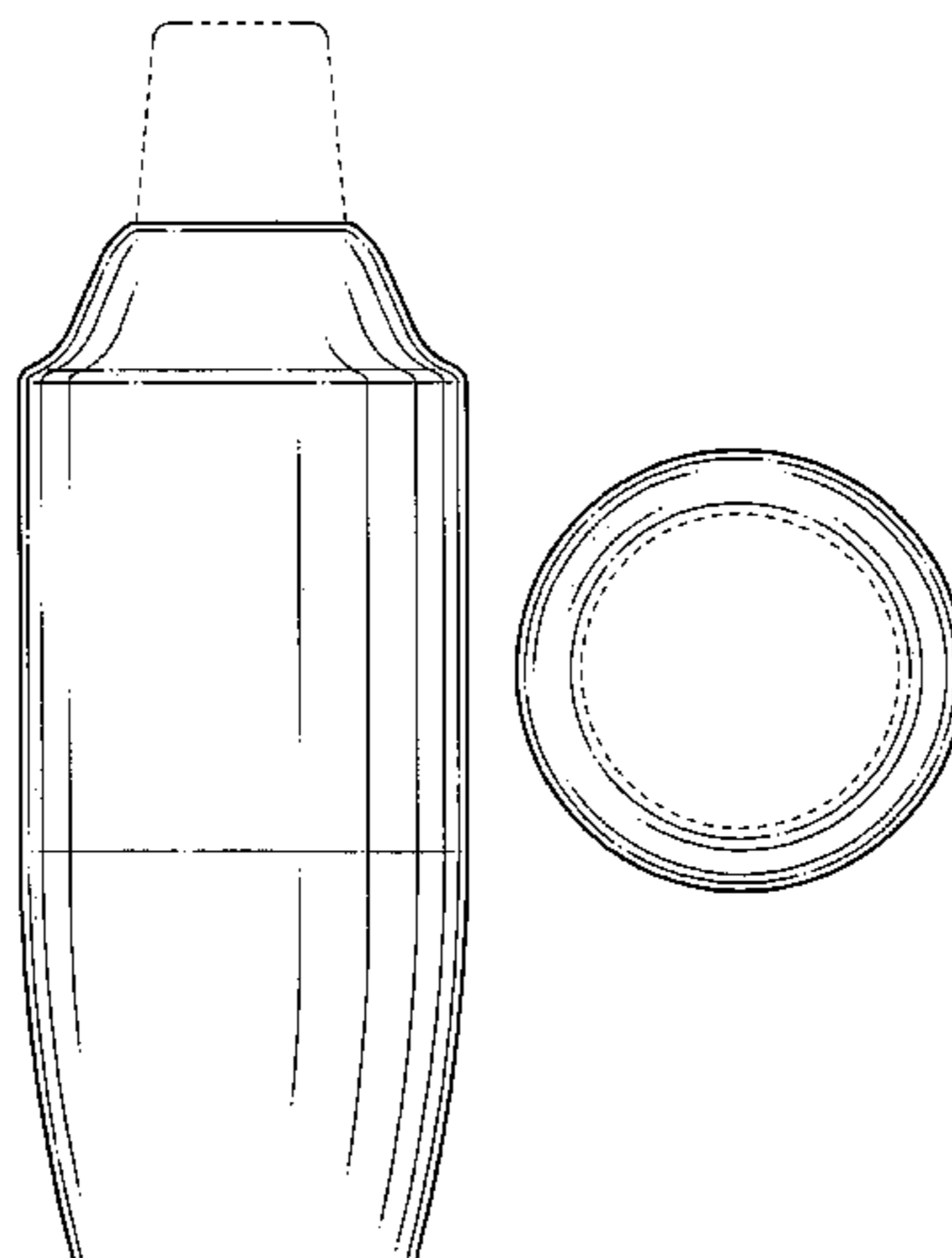
FIG. 1 is a front elevation view of a bottle showing my new design, the rear, left side and right side elevation views being mirror images;

FIG. 2 is a top plan view thereof; and,

FIG. 3 is a bottom plan view thereof.

The dashed lines in FIGS. 1, 2 and 3 are shown for illustrative purposes and form no part of the claimed design.

**1 Claim, 2 Drawing Sheets**



# US D631,356 S

Page 2

---

## U.S. PATENT DOCUMENTS

D536,976 S *	2/2007	Ciulla et al. ....	D9/500	
D536,986 S *	2/2007	Nix et al. ....	D9/551	* cited by examiner
				D592,061 S * 5/2009 Rica ..... D9/500

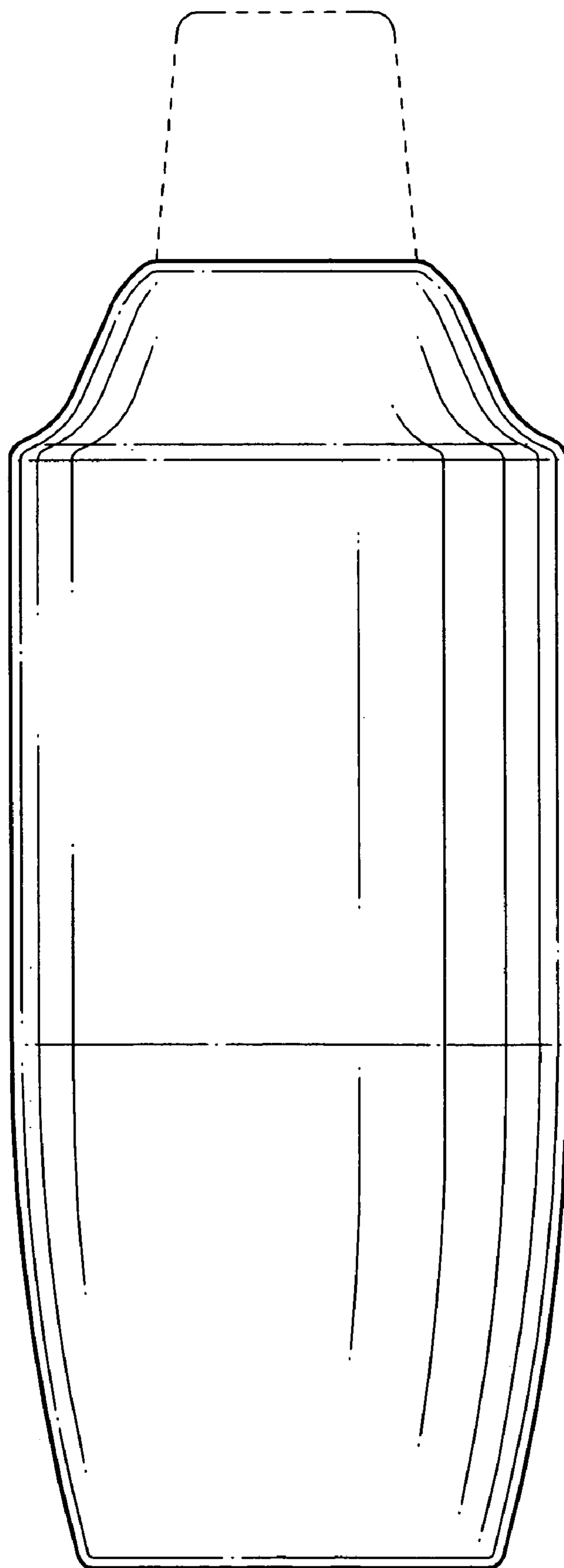


FIG. 1

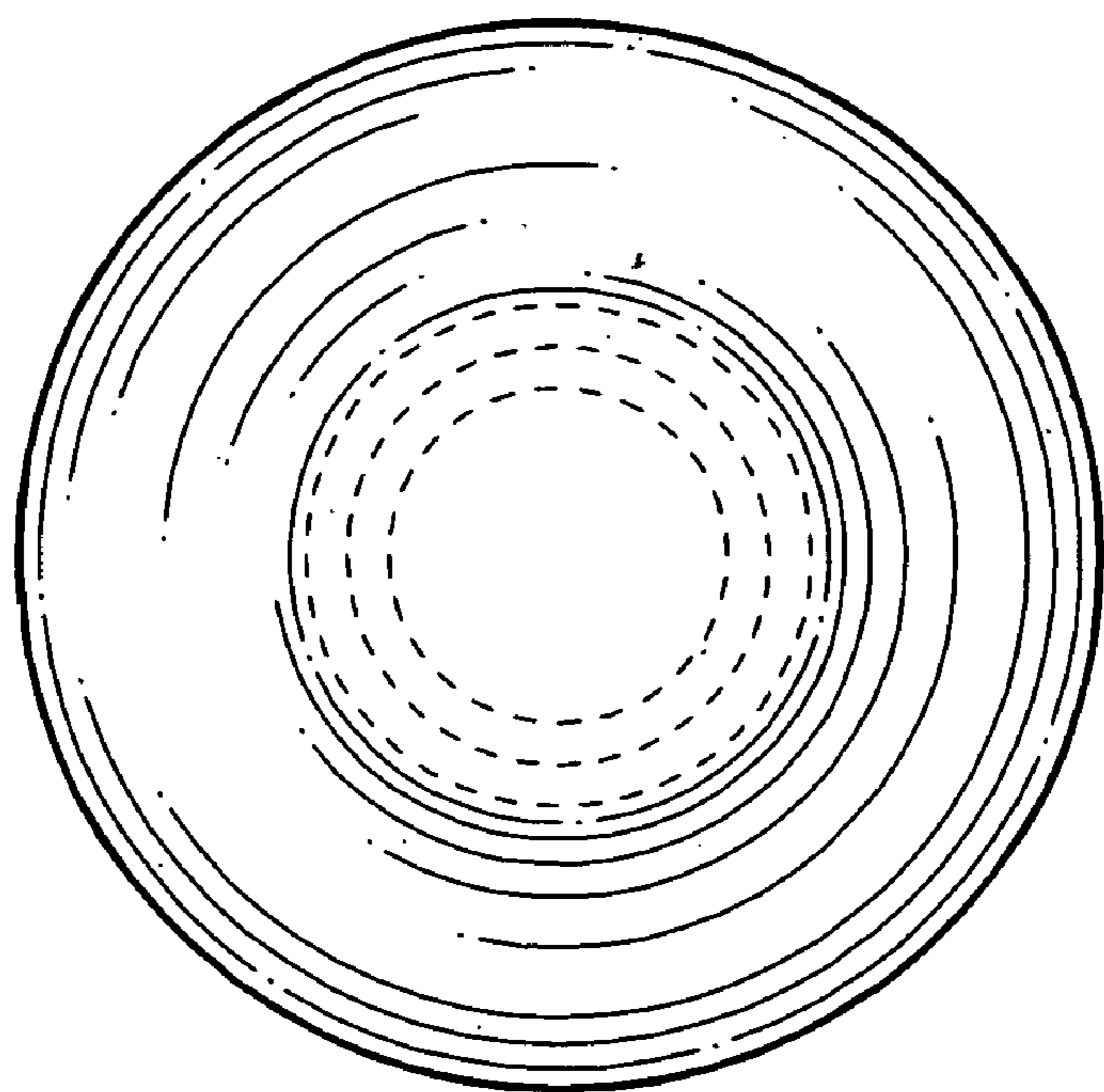


FIG. 2

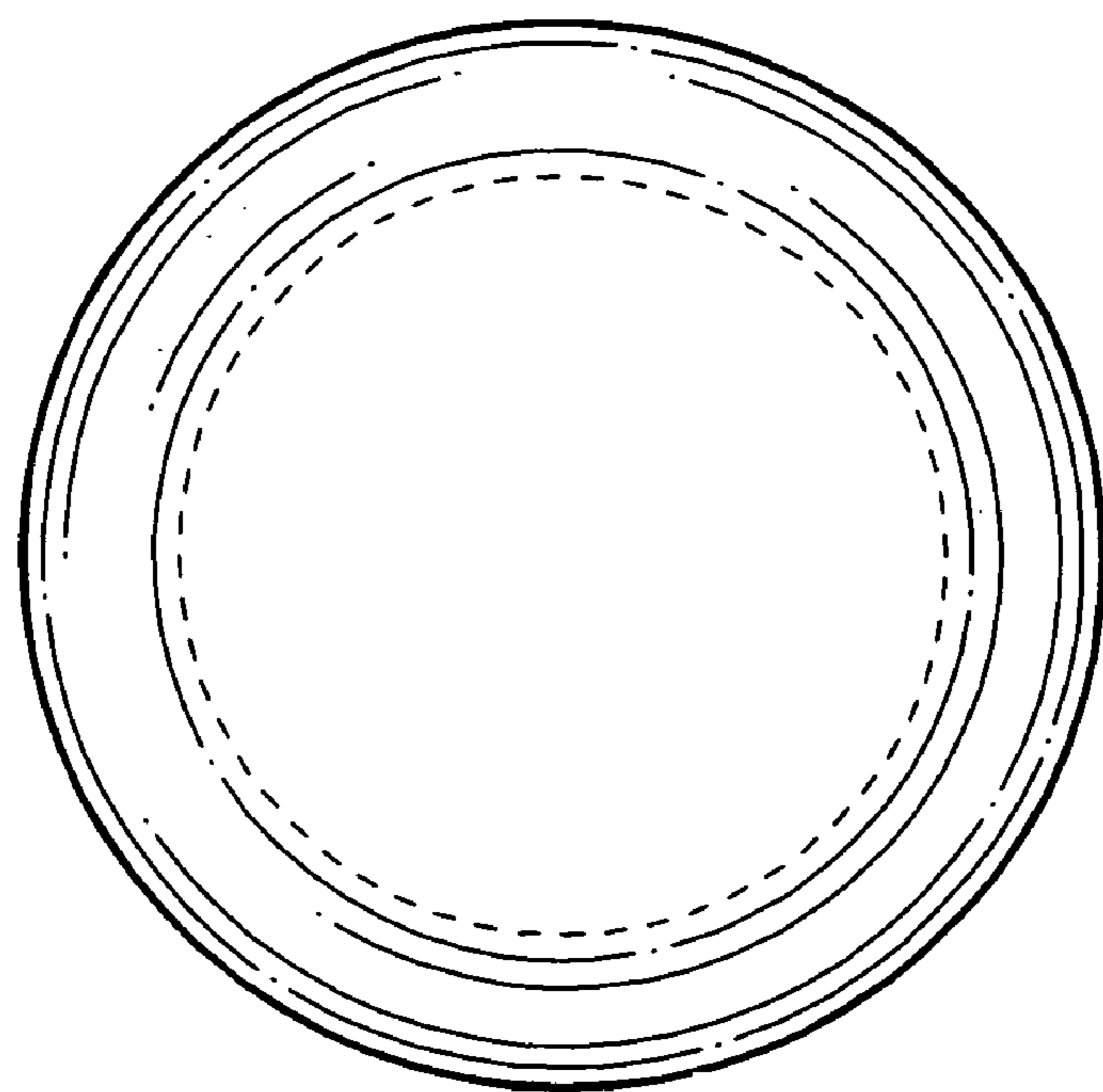


FIG. 3