



US00D631355S

(12) **United States Design Patent**
Barsoumian

(10) **Patent No.:** **US D631,355 S**
(45) **Date of Patent:** **** Jan. 25, 2011**

(54) **BOTTLE**
(75) Inventor: **Maral Barsoumian**, Camarillo, CA
(US)
(73) Assignee: **Jamara Licensing, LLC**, Camarillo, CA
(US)
(**) Term: **14 Years**
(21) Appl. No.: **29/348,129**
(22) Filed: **Dec. 2, 2009**

D230,954 S 3/1974 Gregoriette
D238,750 S * 2/1976 Coffy D9/500
D291,523 S 8/1987 Minuti
D297,308 S 8/1988 Lyons
4,872,764 A 10/1989 McClean
D384,236 S 9/1997 Douer
D401,152 S * 11/1998 DeVore et al. D9/500
D424,444 S 5/2000 Lefebvre
D429,593 S 8/2000 Thuma
D473,460 S 4/2003 Whitworth
D480,590 S 10/2003 Linz et al.
D483,982 S 12/2003 Irvine
6,913,165 B2 7/2005 Linz et al.
D517,923 S 3/2006 Iturriza
D574,710 S * 8/2008 Gangrade D9/504

(51) **LOC (9) Cl.** **09-01**
(52) **U.S. Cl.** **D9/500**
(58) **Field of Classification Search** D9/500,
D9/502-505, 516, 537-540, 545-546, 549-550,
D9/557-558, 574-575, 682, 686, 688-692,
D9/763-764, 772-773, 776-777, 905; D7/300,
D7/300.1, 589, 591, 598, 601, 605, 608;
215/379, 381-384; 220/660, 662, 669-673,
220/675; D28/4, 9, 73, 76, 83, 91
See application file for complete search history.

OTHER PUBLICATIONS

Williams-Sonoma, Inc., "Insulated Cocktail Shaker", photograph of stainless steel cocktail shaker and packaging carton therefor, copyright 2006.

* cited by examiner

Primary Examiner—Charles A Rademaker
Assistant Examiner—Dana L Sipos
(74) *Attorney, Agent, or Firm*—David Weiss

(56) **References Cited**

U.S. PATENT DOCUMENTS

300,867 A 6/1884 Hauck
324,173 A 8/1885 Seips
1,042,751 A 10/1912 Barker
1,201,284 A 10/1916 Gilchrist
D60,401 S * 2/1922 Galle D9/500
1,568,691 A 1/1926 Pierson
1,657,927 A 1/1928 Heinzen
1,740,223 A 12/1929 Burvenick
1,744,328 A 1/1930 Morley
1,765,129 A 6/1930 Cooke
2,013,615 A 9/1935 Fontan
2,090,998 A 8/1937 Gessler
2,500,611 A 3/1950 Kereluck

(57) **CLAIM**

The ornamental design for a bottle, as shown and described.

DESCRIPTION

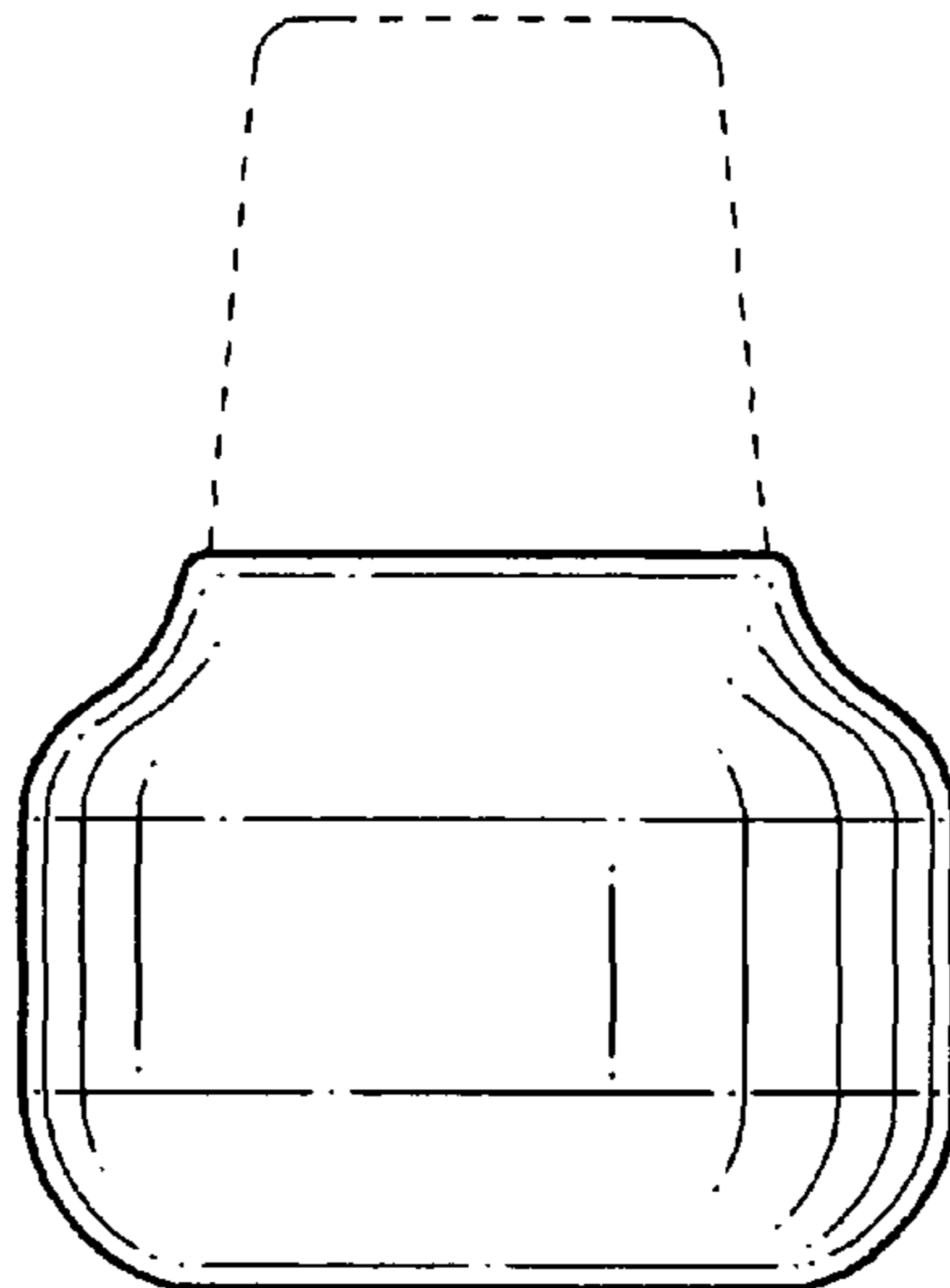
FIG. 1 is a front elevation view of a bottle showing my new design, the rear, left side and right side elevation views being mirror images;

FIG. 2 is a top plan view thereof; and,

FIG. 3 is a bottom plan view thereof.

The dashed lines in FIGS. 1, 2 and 3 are shown for illustrative purposes and form no part of the claimed design.

1 Claim, 1 Drawing Sheet



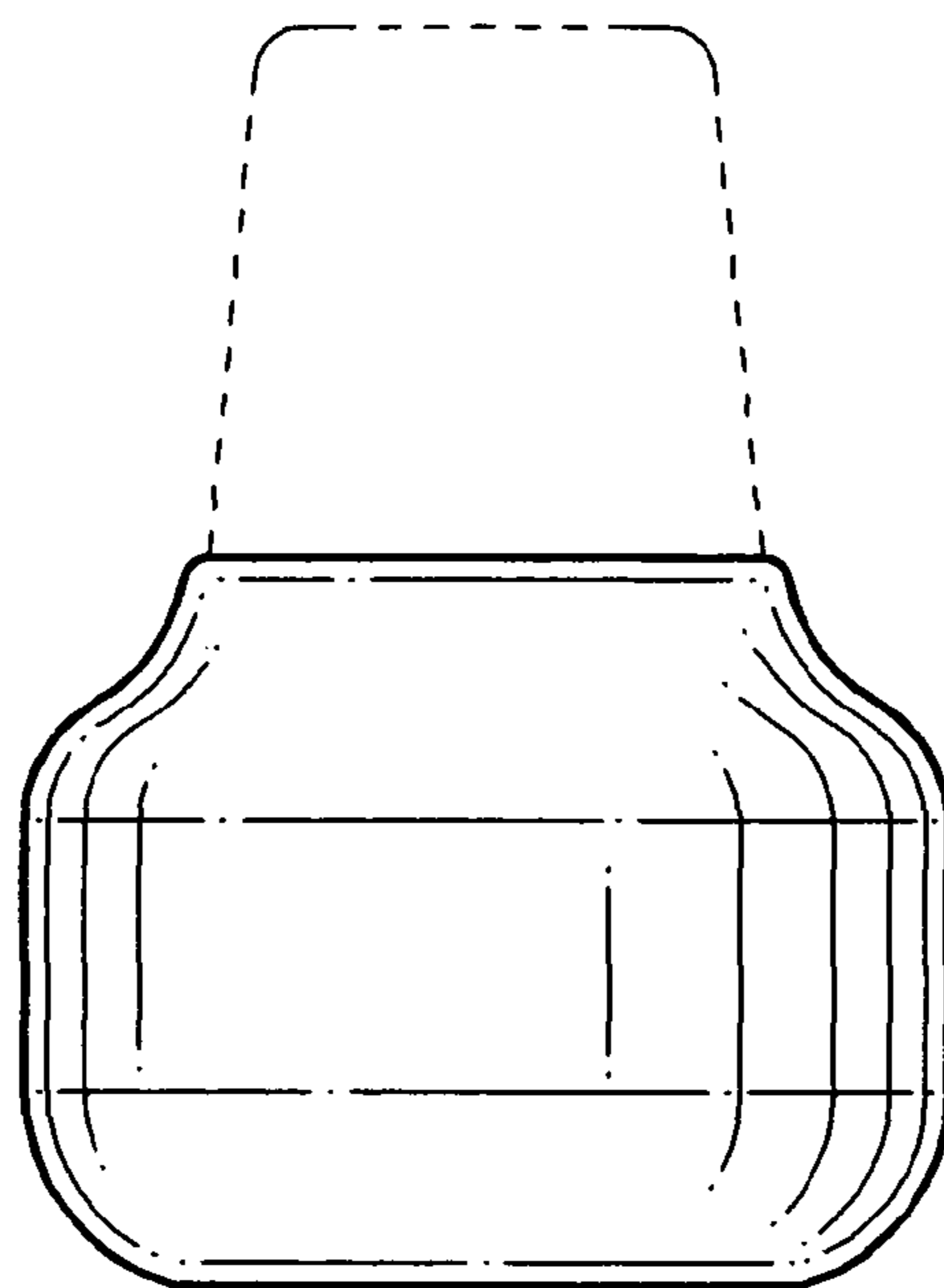


FIG. 1

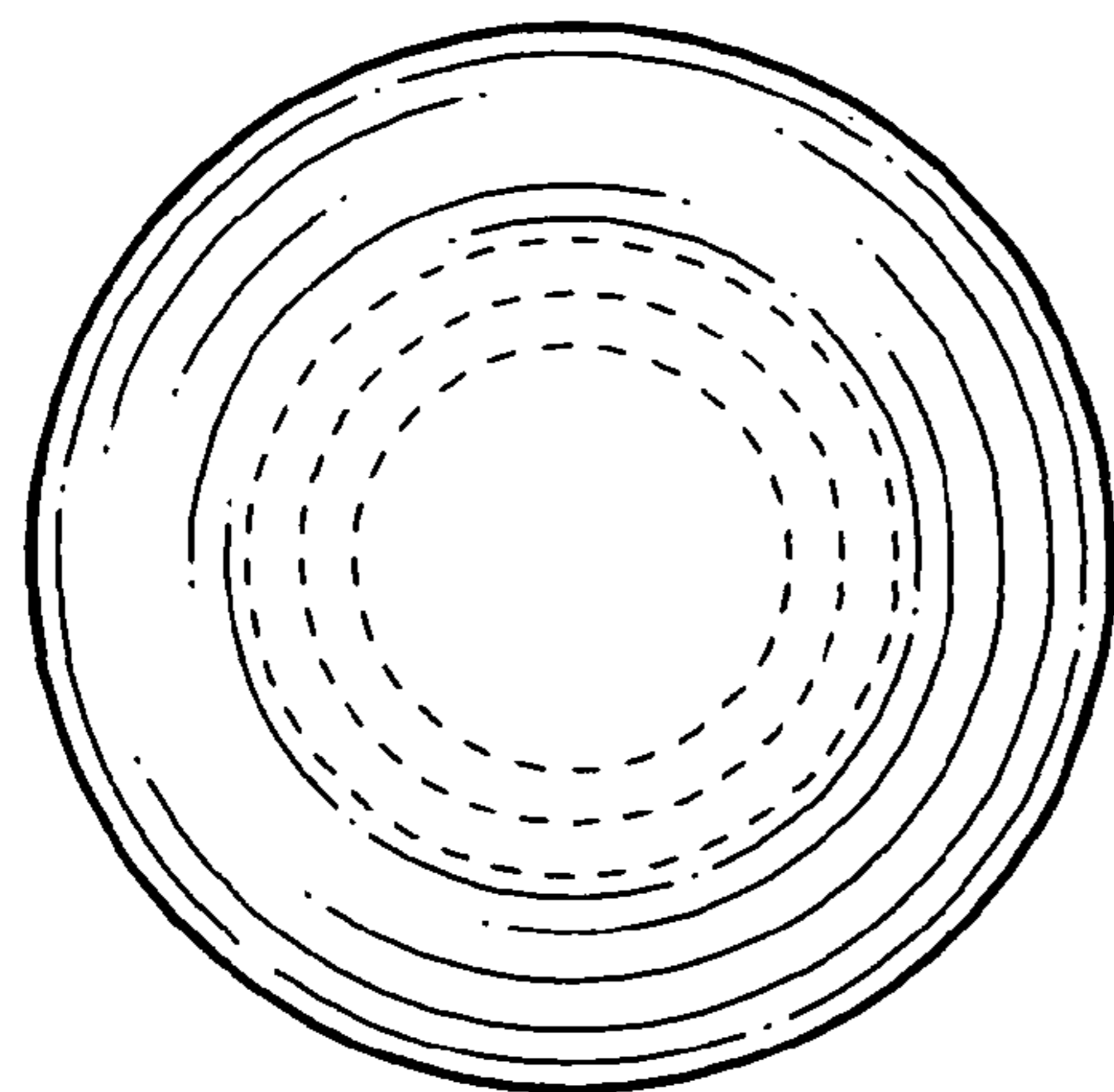


FIG. 2

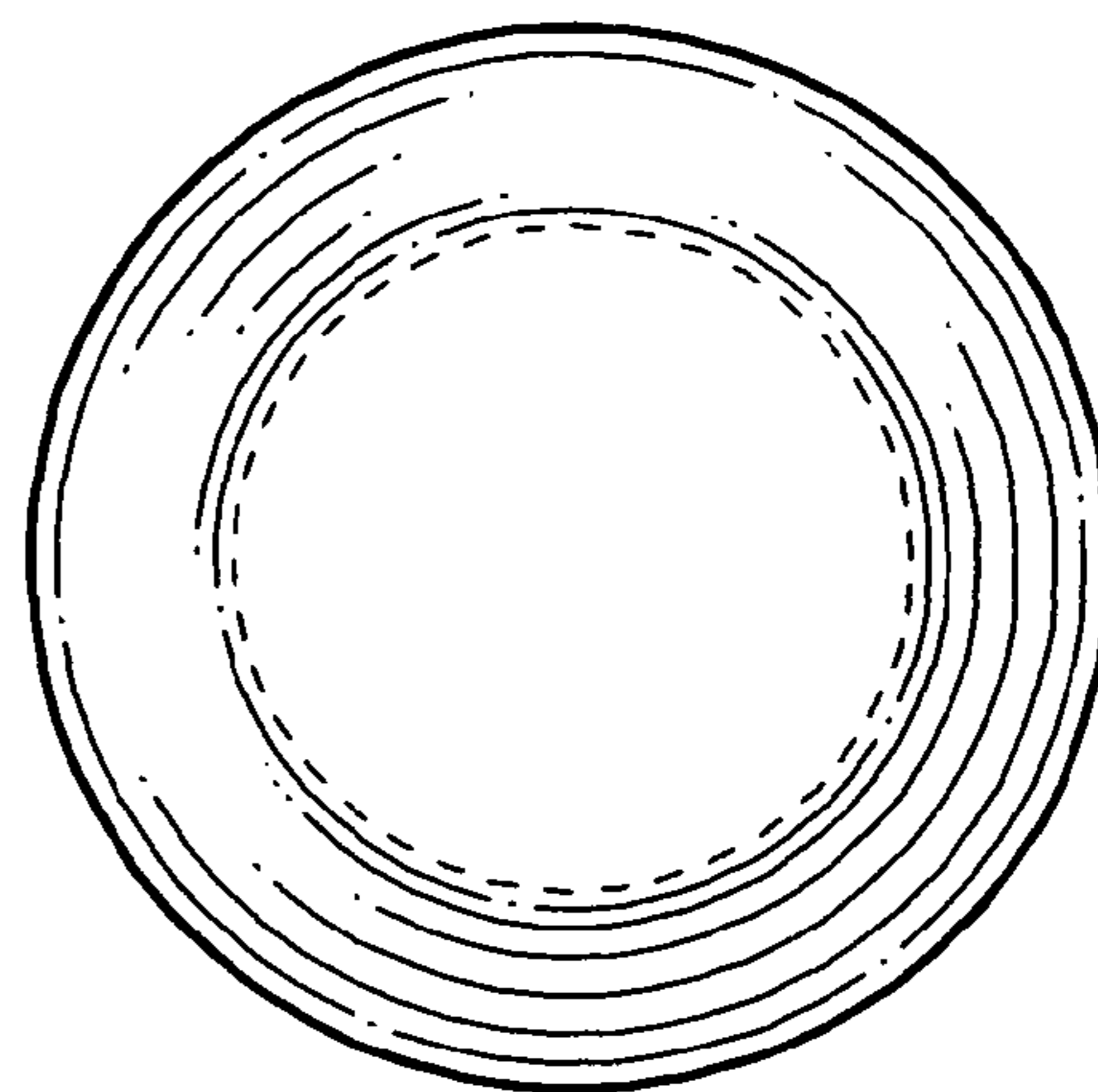


FIG. 3