



US00D631353S

(12) **United States Design Patent**
Gelardi et al.

(10) **Patent No.:** **US D631,353 S**
(45) **Date of Patent:** **** Jan. 25, 2011**

(54) **TRAY ASSEMBLY FOR A DISPENSING CONTAINER**

(75) Inventors: **John A. Gelardi**, Wake Forest, NC (US);
Ryan A. Bailey, Raleigh, NC (US)

(73) Assignee: **RJ Reynolds Tobacco Company**,
Winstom-Salem, NC (US)

(**) Term: **14 Years**

(21) Appl. No.: **29/356,296**

(22) Filed: **Feb. 23, 2010**

(51) **LOC (9) Cl.** **09-07**

(52) **U.S. Cl.** **D9/456; D9/455**

(58) **Field of Classification Search** D9/761,
D9/759, 756, 708, 709, 702, 456, 455, 454,
D9/453, 445, 443, 436, 435, 434, 439; 53/412;
248/146; 229/120; 222/109; 220/4.23;
219/439; 215/305; 206/529, 427; D3/304,
D3/295

See application file for complete search history.

(56) **References Cited**

U.S. PATENT DOCUMENTS

194,197 A	8/1877	Villaret	
536,923 A	4/1895	Mayled	
2,090,530 A	8/1937	Guffy et al.	
D134,249 S *	11/1942	Button D9/761
3,696,917 A	10/1972	Levi	
3,782,584 A	1/1974	Swenson et al.	
3,895,737 A	7/1975	Phillips	
4,057,145 A	11/1977	Wray et al.	
4,154,365 A	5/1979	Lorca	
4,284,204 A	8/1981	Cary, Jr.	
4,437,579 A	3/1984	Obland	
4,561,544 A	12/1985	Reeve	
4,572,376 A	2/1986	Wrennall	
4,611,727 A	9/1986	Graff	
4,705,165 A	11/1987	Thieke	
D307,555 S *	5/1990	Haenni et al. D9/447
5,108,006 A	4/1992	Tieke et al.	
5,174,471 A	12/1992	Kozlowski et al.	

5,275,291 A	1/1994	Sledge	
5,657,901 A	8/1997	Farside	
5,729,955 A *	3/1998	Yamada 53/412
D393,591 S *	4/1998	Baryshyan D9/756
5,782,359 A	7/1998	McAllister et al.	
5,816,441 A	10/1998	Farside	
5,897,025 A	4/1999	Flewitt et al.	
5,909,822 A	6/1999	George et al.	
5,915,560 A	6/1999	George et al.	
6,131,765 A	10/2000	Barry et al.	
6,155,454 A	12/2000	George et al.	
D444,058 S *	6/2001	Hampshire et al. D9/761

(Continued)

FOREIGN PATENT DOCUMENTS

CH 180218 A 10/1935

(Continued)

Primary Examiner—Susan Bennett Hattan
(74) *Attorney, Agent, or Firm*—Womble Carlyle Sandridge & Rice, PLLC

(57) **CLAIM**

The ornamental design for a tray assembly for a dispensing container, as shown and described.

DESCRIPTION

FIG. 1 is a top front perspective view of a tray assembly for a dispensing container in accordance with the present design, the tray assembly having an opaque cover portion;

FIG. 2 is a top side perspective view thereof;

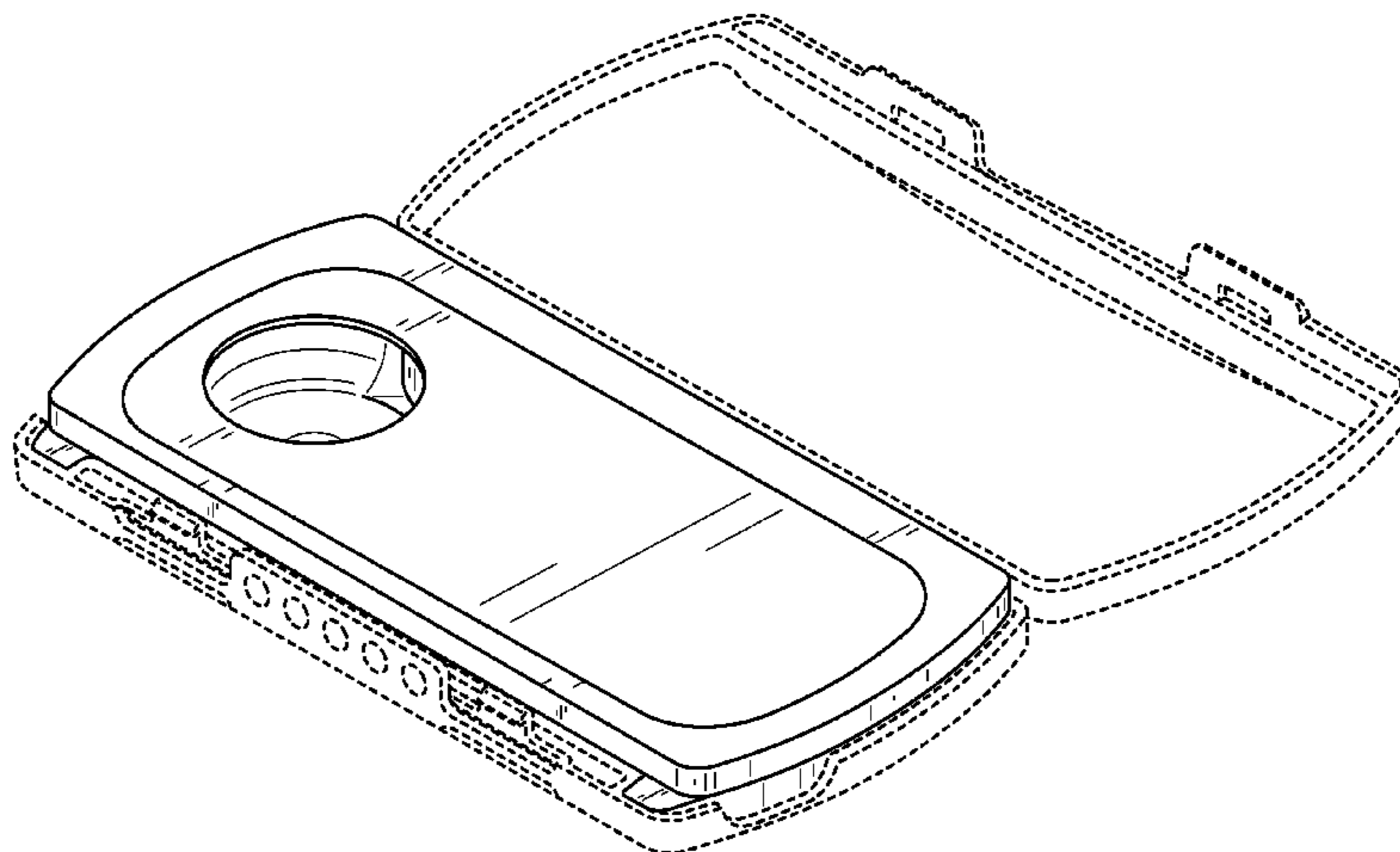
FIG. 3 is a top plan view thereof;

FIG. 4 is an exploded front view thereof; and,

FIG. 5 is an exploded side view thereof.

The broken lines shown herein depict environmental subject matter only and form no part of the claimed design.

1 Claim, 5 Drawing Sheets



US D631,353 S

Page 2

U.S. PATENT DOCUMENTS

6,267,265 B1 7/2001 Issa
6,460,693 B1 10/2002 Harrold
6,527,138 B2 3/2003 Pawlo et al.
6,758,338 B2 7/2004 Lien
D495,545 S * 9/2004 Niehues D6/518
6,863,175 B2 3/2005 Gelardi
6,913,149 B2 7/2005 Gelardi et al.
6,976,576 B2 12/2005 Intini
D531,499 S * 11/2006 Zaidman D9/434
7,159,720 B2 1/2007 Pearson
7,216,776 B2 5/2007 Gelardi
7,288,745 B2 * 10/2007 Colonna 219/439
7,353,969 B2 4/2008 McHutchinson
D572,588 S * 7/2008 Osborn et al. D9/456
D589,798 S * 4/2009 Liipola D9/456
7,565,969 B2 7/2009 He
7,588,149 B2 9/2009 Gelardi
D608,593 S * 1/2010 Follansbee et al. D7/553.5
7,712,630 B2 5/2010 He
2002/0096517 A1 * 7/2002 Gelardi 220/4.23
2002/0175195 A1 11/2002 Cole
2004/0217024 A1 11/2004 Arnarp et al.
2005/0173272 A1 8/2005 Lemmons, IV
2006/0060480 A1 3/2006 Budd
2006/0118589 A1 6/2006 Arnarp et al.

2006/0124658 A1 6/2006 Coe et al.
2006/0243611 A1 11/2006 Wu
2007/0068960 A1 3/2007 Valentine et al.
2007/0163911 A1 7/2007 Gelardi
2007/0277299 A1 12/2007 Kroon
2008/0029110 A1 2/2008 Dube et al.
2008/0029116 A1 2/2008 Robinson et al.
2008/0035643 A1 2/2008 Hoffman
2009/0223989 A1 9/2009 Gelardi
2009/0266837 A1 10/2009 Gelardi et al.
2010/0133140 A1 6/2010 Bailey et al.
2010/0264157 A1 10/2010 Bailey et al.

FOREIGN PATENT DOCUMENTS

GB 686 870 2/1953
GB 2 042 476 9/1980
WO WO 99/48391 A 9/1999
WO WO 2004/035404 A1 4/2004
WO WO 2005/016036 A1 2/2005
WO WO 2005/030606 A1 4/2005
WO WO 2005/035390 A1 4/2005
WO WO 2007/017761 A2 2/2007
WO WO 2007/067953 A2 6/2007
WO WO 2007/070867 A2 6/2007
WO WO 2008/070032 A2 6/2008

* cited by examiner

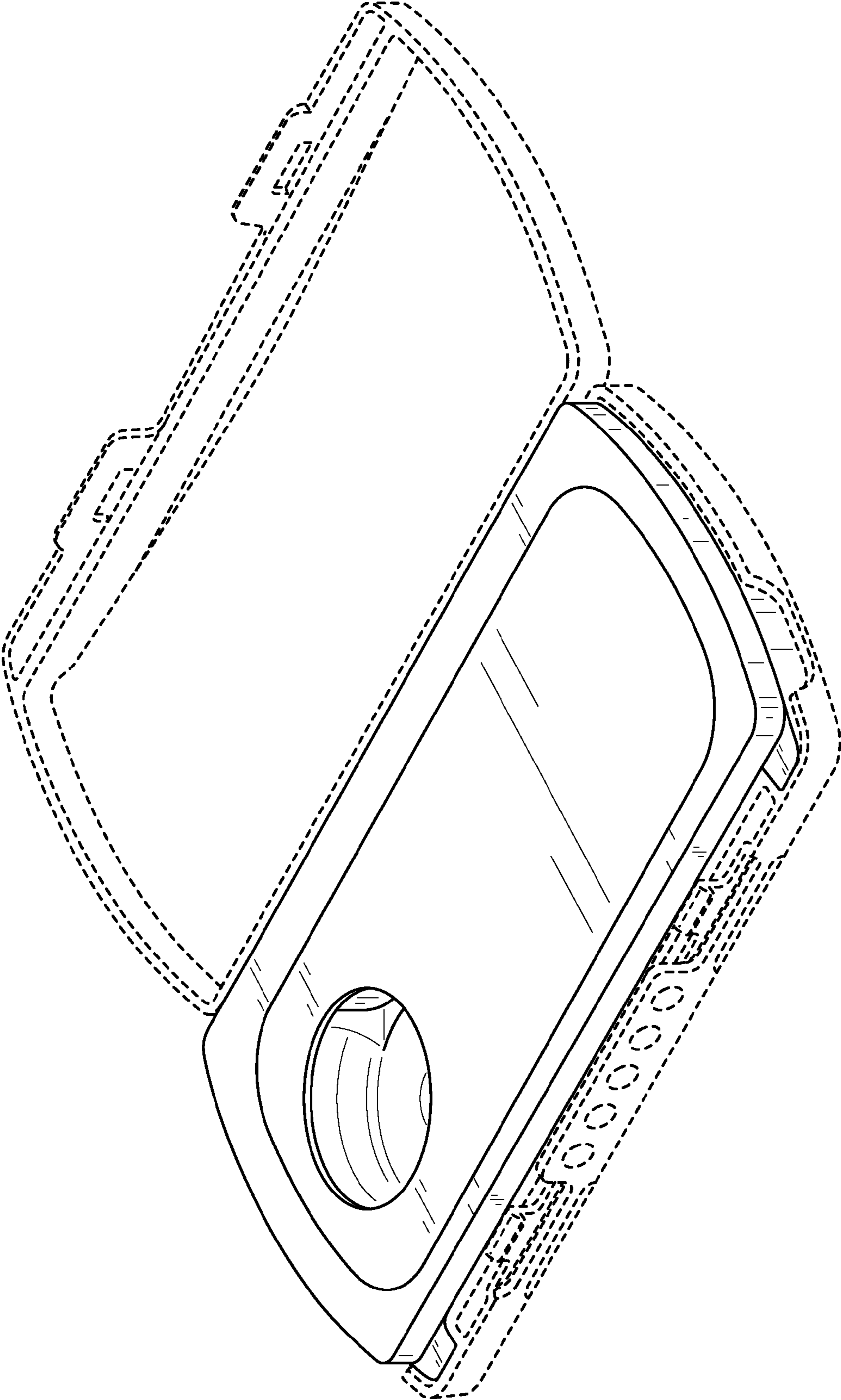


FIG. 1

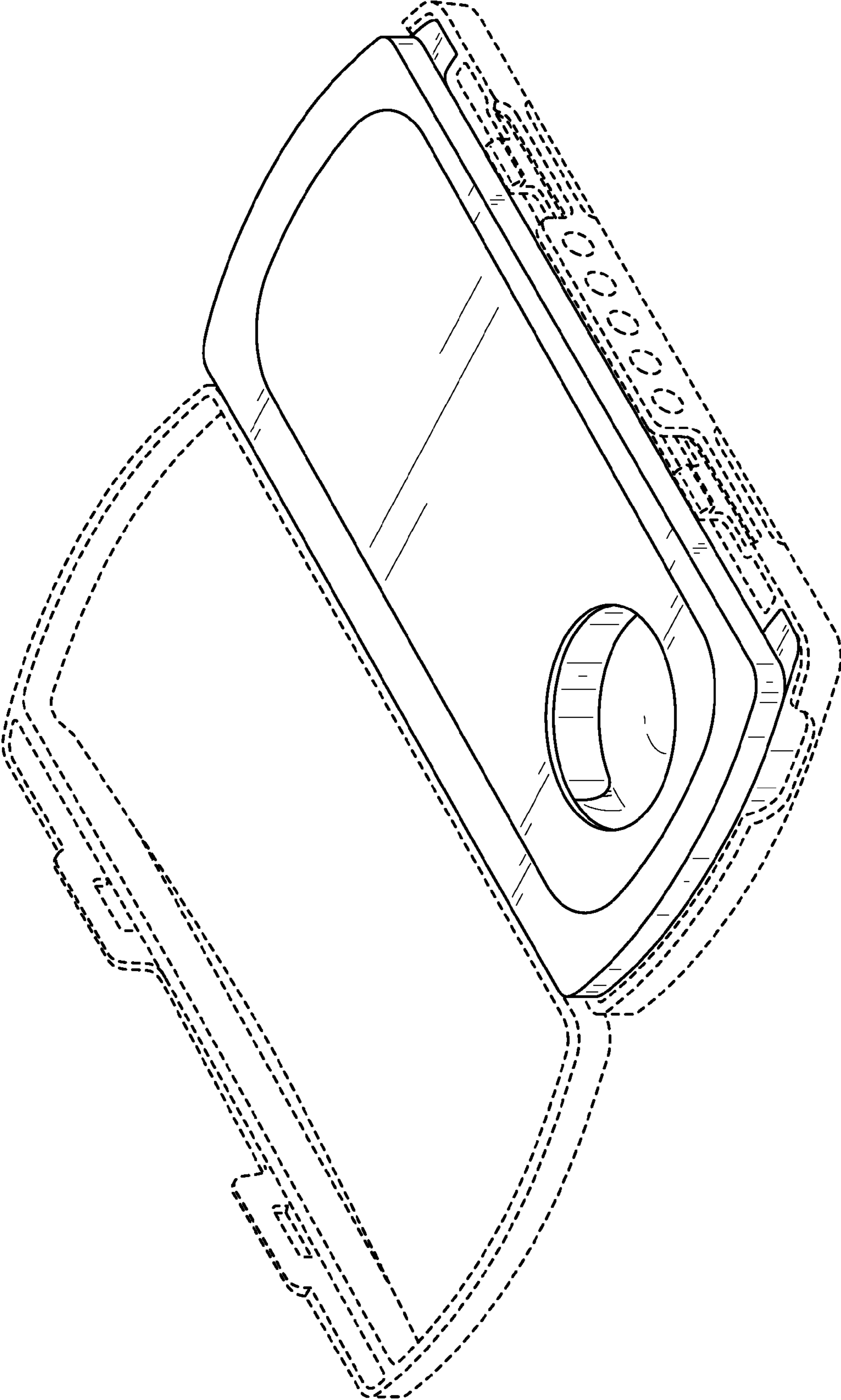


FIG. 2

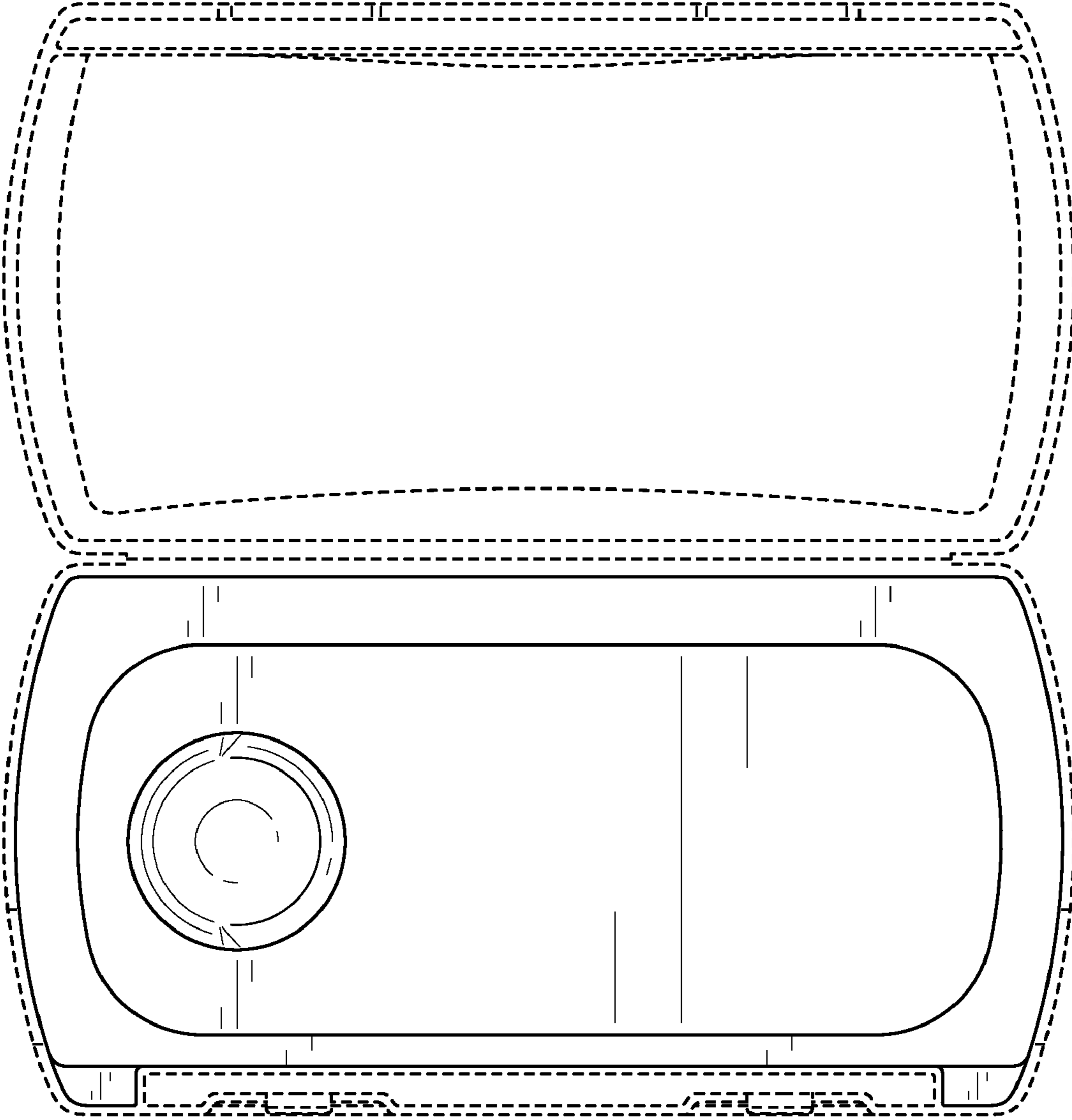


FIG. 3

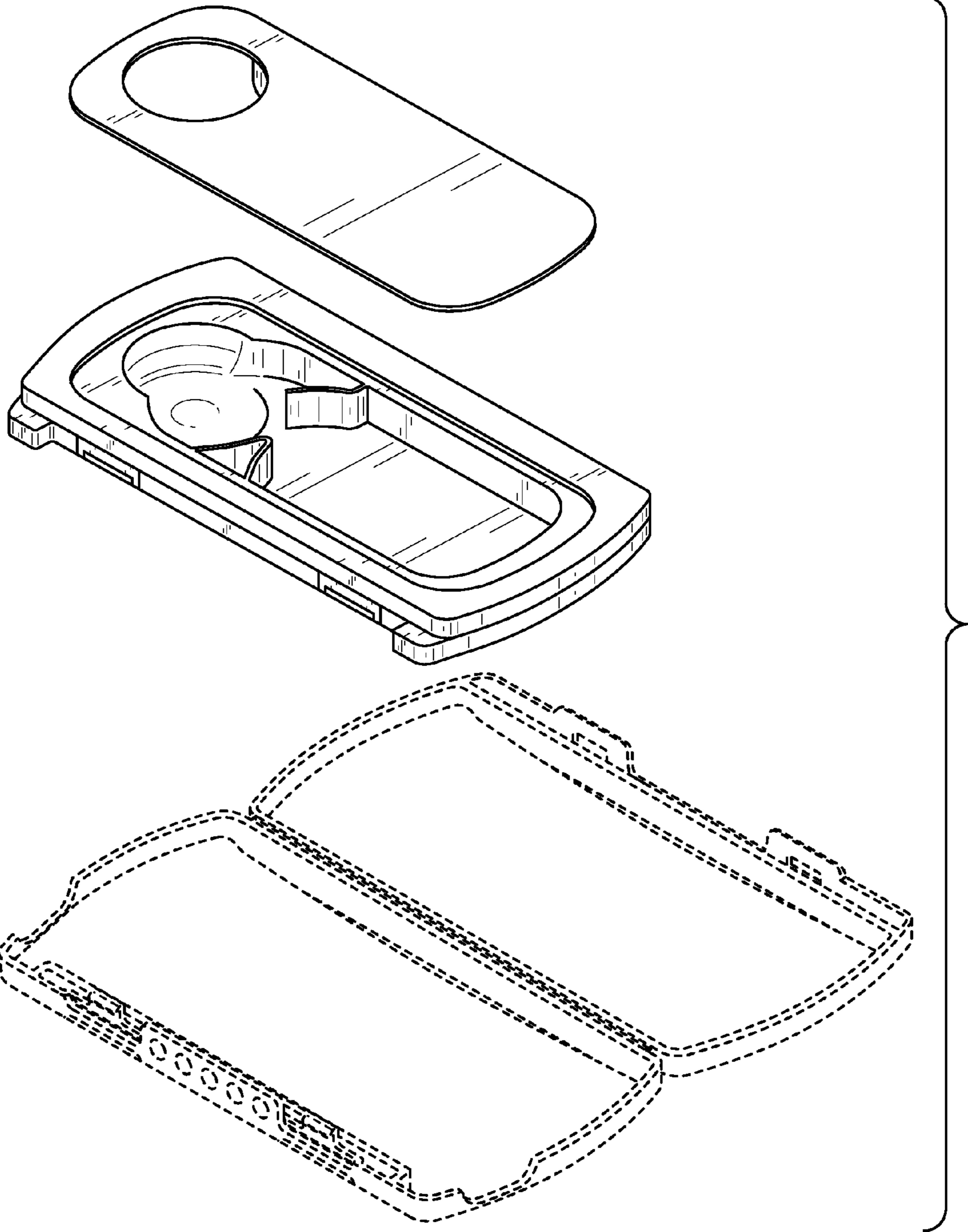


FIG. 4

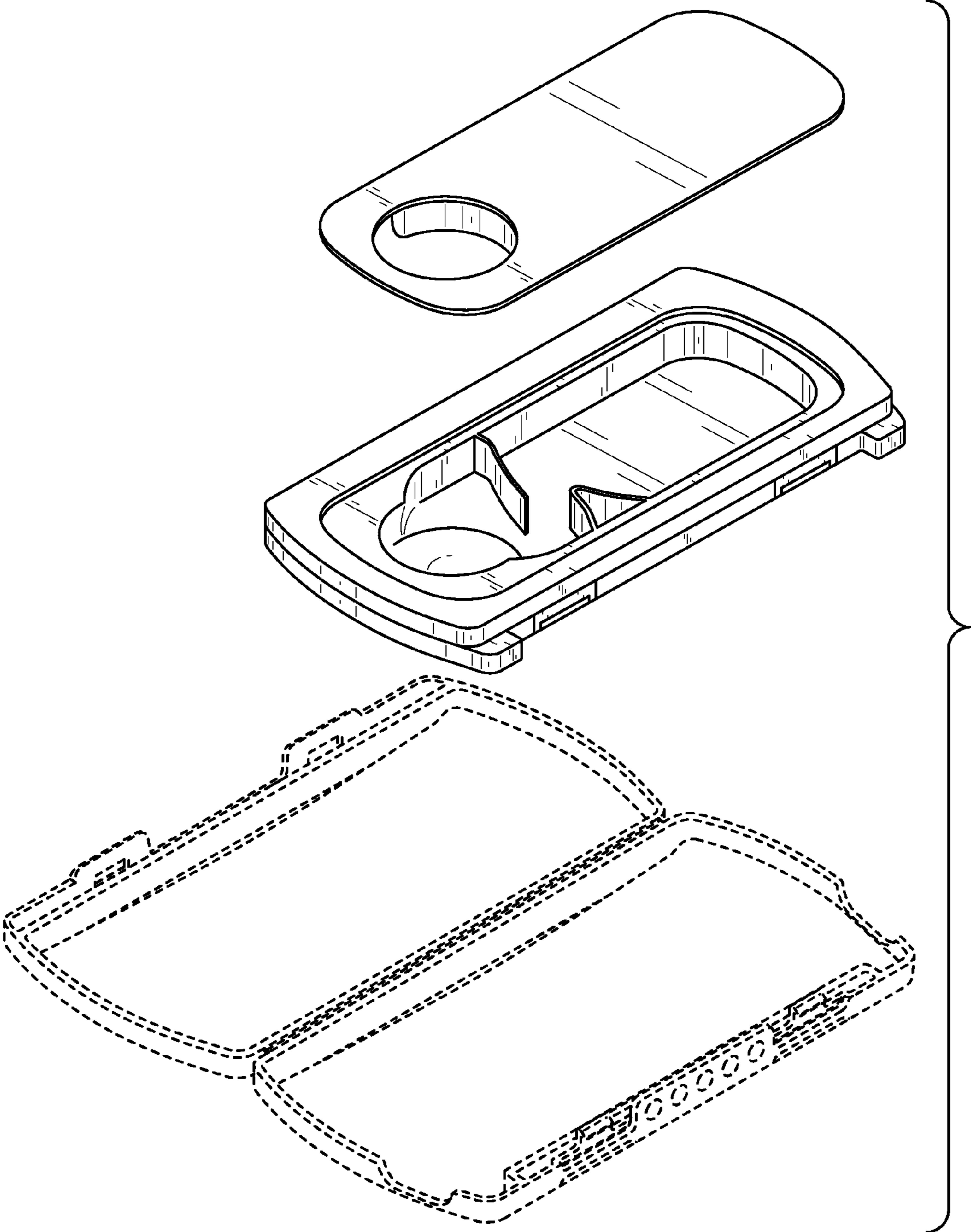


FIG. 5