



US00D631352S

(12) **United States Design Patent**
Gilfert

(10) **Patent No.:** **US D631,352 S**

(45) **Date of Patent:** **** Jan. 25, 2011**

(54) **BOTTLE SHIPPING FOLDING BOTTLE SEPARATOR**

(74) *Attorney, Agent, or Firm*—Duane C. Basch; Basch & Nickerson LLP

(75) Inventor: **James W. Gilfert**, Eldred, PA (US)

(57) **CLAIM**

(73) Assignee: **FiberCel Packaging, LLC**, Portville, NY (US)

The ornamental design for a “bottle shipping folding bottle separator,” as shown and described.

(**) Term: **14 Years**

DESCRIPTION

(21) Appl. No.: **29/341,241**

(22) Filed: **Jul. 31, 2009**

(51) **LOC (9) Cl.** **09-07**

(52) **U.S. Cl.** **D9/456**

(58) **Field of Classification Search** D9/761, D9/759, 756, 708, 709, 702, 456, 455, 454, D9/453, 445, 443, 436, 435, 434; 53/412; 248/146; 229/120; 222/109; 220/4.23; 219/439; 215/305; 206/529, 427

See application file for complete search history.

FIG. 1 is a perspective view of the top, front and right sides of a bottle shipping folding bottle separator;

FIG. 2 is a front elevation view of the bottle shipping folding bottle separator;

FIG. 3 is a right side elevation view of the bottle shipping folding bottle separator;

FIG. 4 is a rear elevation view of the bottle shipping folding bottle separator;

FIG. 5 is a left side elevation view of the bottle shipping folding bottle separator;

FIG. 6 is a top plan view of the bottle shipping folding bottle separator;

FIG. 7 is a bottom plan view of the bottle shipping folding bottle separator;

FIG. 8 is a perspective assembly view of a bottle shipping folding bottle separator having been folded and being placed into a shipping package; and,

FIG. 9 is a perspective view of an interior region of the shipping package of FIG. 8 having a plurality of bottle shipping folding bottle separators therein into which bottles are being inserted.

The broken-lines of FIGS. 1 through 9 depict elements of the environment. These broken line features are depicted for illustrative purposes only, and form no part of the claimed design.

The claimed “bottle shipping folding bottle separator” may be used in conjunction with the packing, storage and shipping of fragile containers such as glass bottles.

(56) **References Cited**

U.S. PATENT DOCUMENTS

871,452 A	11/1907	Smith
1,917,886 A	7/1933	Hogan
1,970,582 A	8/1934	Snyder et al.
2,078,087 A	4/1937	Lincoln
2,094,054 A	9/1937	Bixby
D125,136 S	2/1941	Holmes
D152,683 S	2/1949	Erickson
2,514,651 A	7/1950	Kornfield et al.
2,570,340 A	10/1951	George
2,717,114 A	9/1955	Parnham, Jr.

(Continued)

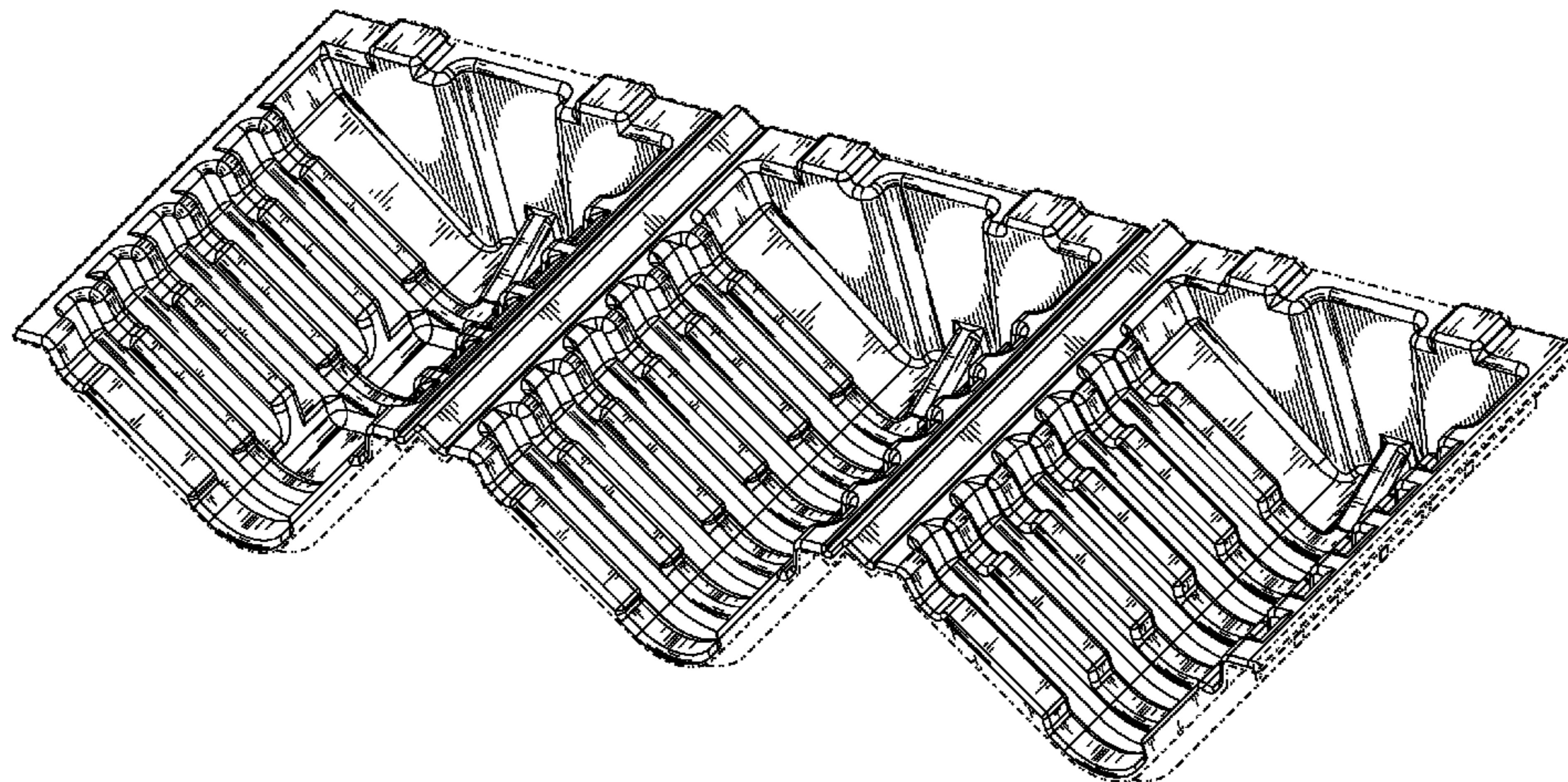
OTHER PUBLICATIONS

U.S. Appl. No. 29/341,240, filed Jul. 31, 2009.

(Continued)

Primary Examiner—Susan Bennett Hattan

1 Claim, 9 Drawing Sheets



US D631,352 S

Page 2

U.S. PATENT DOCUMENTS

2,761,553	A	9/1956	Wheeler				
2,766,921	A	10/1956	Jones et al.				
2,908,383	A *	10/1959	Vogt	206/526			
D214,487	S	6/1969	Reichl				
D219,956	S *	2/1971	Clemens	D9/456			
3,982,057	A	9/1976	Briggs et al.				
4,094,454	A	6/1978	Snyder				
4,382,106	A	5/1983	Royster				
D305,729	S *	1/1990	Bridel	D9/756			
5,000,372	A	3/1991	Hollander et al.				
D327,972	S	7/1992	Apps et al.				
D331,538	S	12/1992	Fabre				
5,213,211	A	5/1993	Umiker				
D356,950	S	4/1995	Apps et al.				
5,429,264	A	7/1995	Hollander et al.				
5,492,267	A	2/1996	Hollander et al.				
5,785,239	A	7/1998	Campbell et al.				
D400,012	S	10/1998	Apps				
6,237,758	B1	5/2001	Hsu				
D445,253	S	7/2001	Hammett				
D461,054	S	8/2002	Hammett				
D461,715	S *	8/2002	Hamada et al.	D9/456			
D461,957	S	8/2002	Hammett				
6,536,654	B2	3/2003	Reynolds et al.				
6,736,289	B2	5/2004	Cook et al.				
D518,720	S *	4/2006	Gratz	D9/456			
D524,651	S	7/2006	Perret				
D529,401	S	10/2006	Aoki				
D535,881	S	1/2007	Liukko				
D540,711	S	4/2007	Howard et al.				
D561,025	S	2/2008	Gilfert				
D561,588	S	2/2008	Gilfert				
D567,672	S	4/2008	Sheu				
D588,934	S *	3/2009	Bailey et al.	D9/756			
D590,715	S	4/2009	Gilfert				
2006/0243784	A1	11/2006	Glaser				
2008/0302691	A1	12/2008	Olson et al.				

OTHER PUBLICATIONS

File wrapper of US Design Patent D561,588.
File wrapper of US Design Patent D590,715.
File wrapper of US Design Patent D561,025.
File wrapper of U.S. Appl. No. 12/025,419.

* cited by examiner

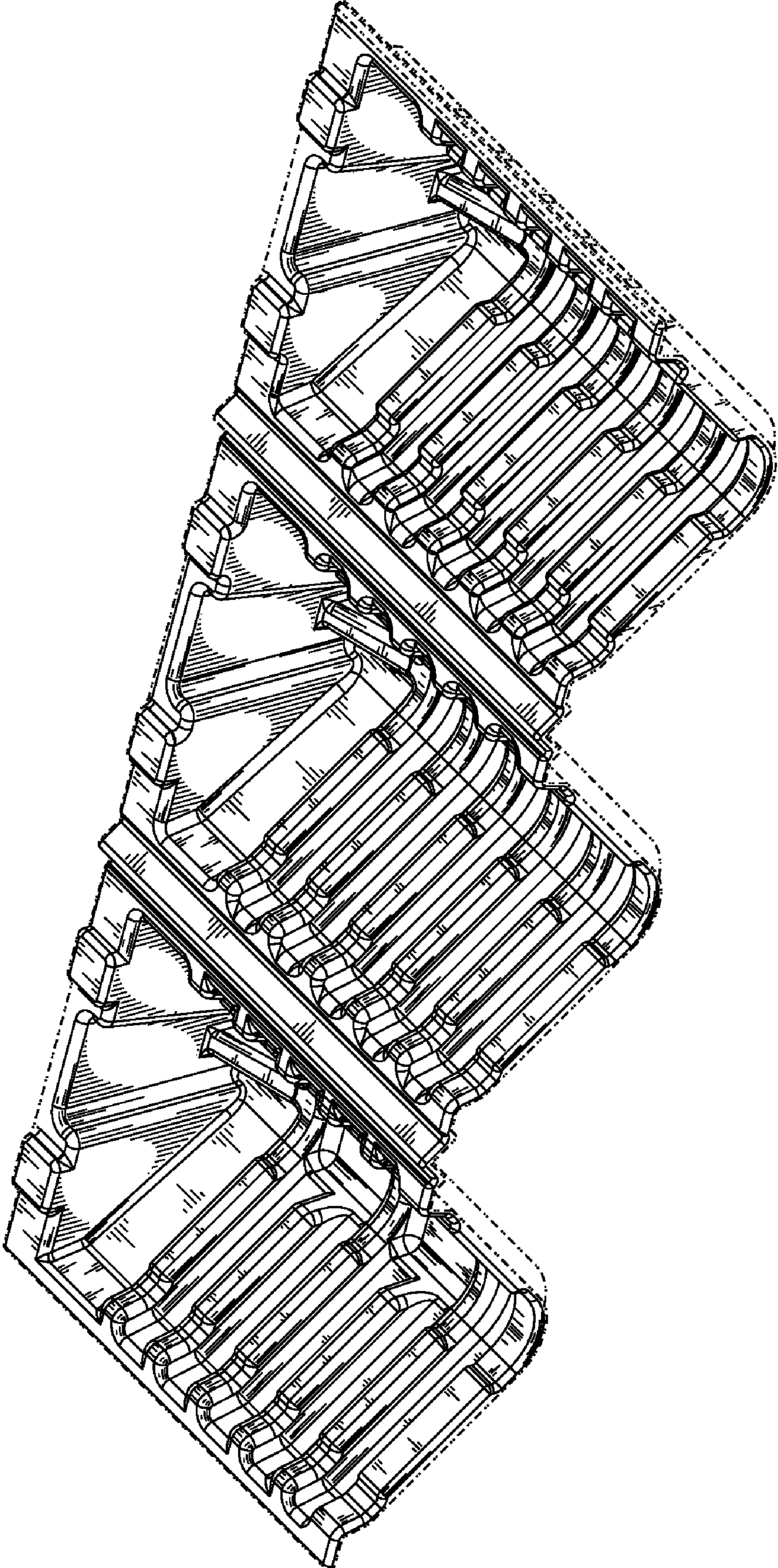


FIG. 1

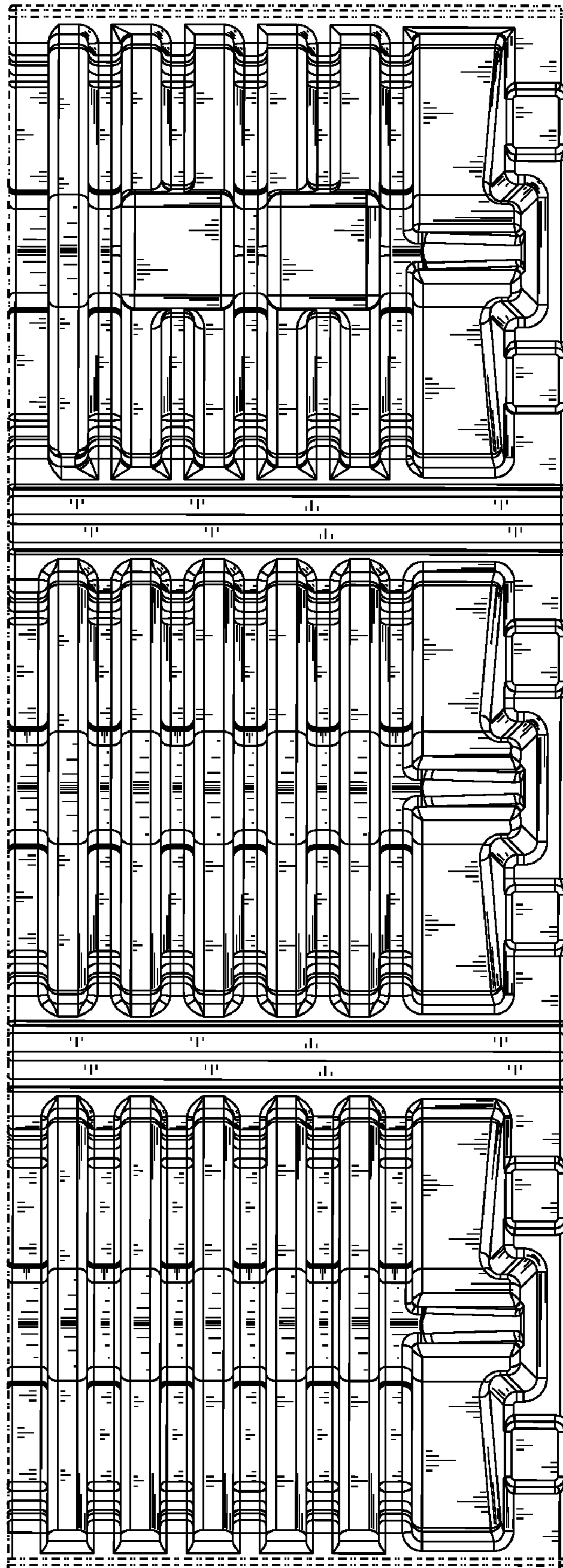


FIG. 2

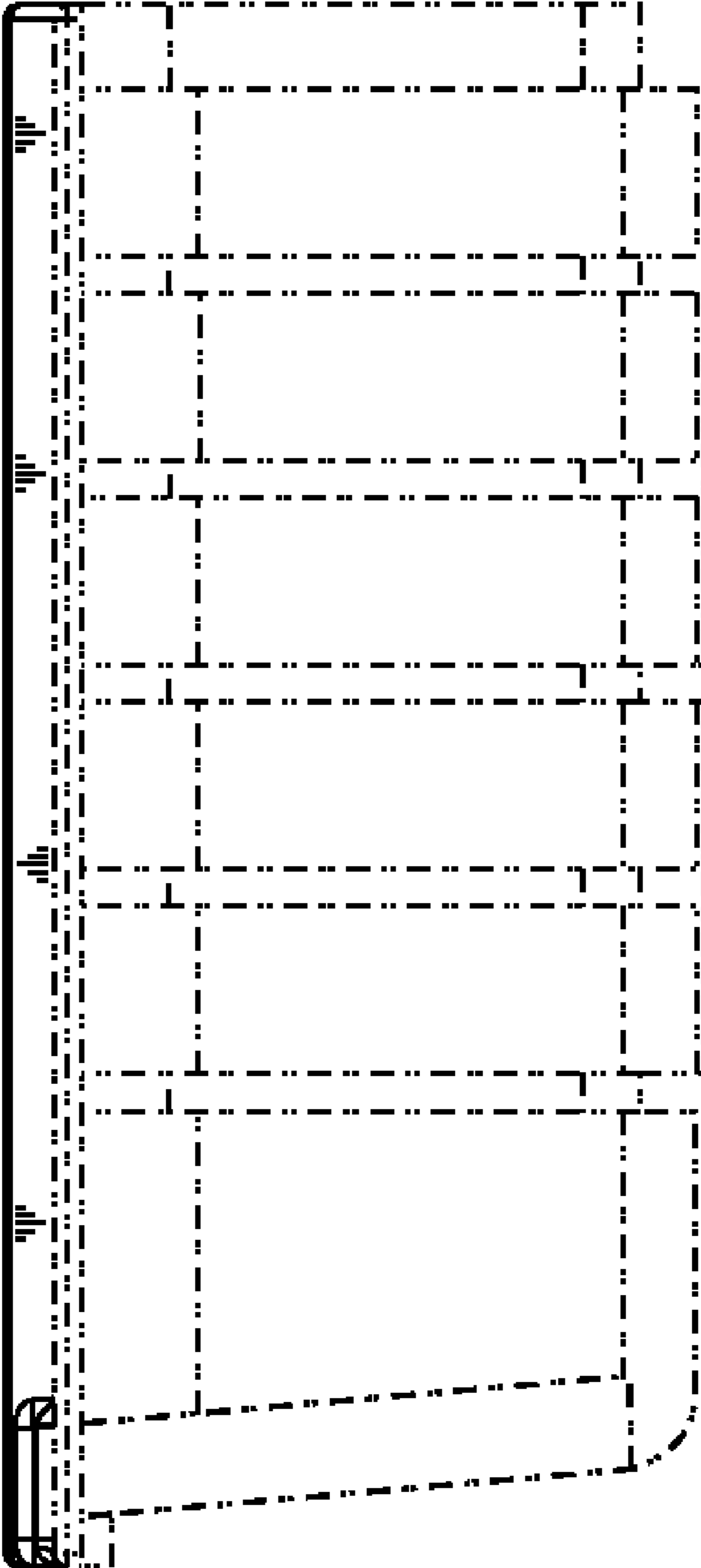


FIG. 3

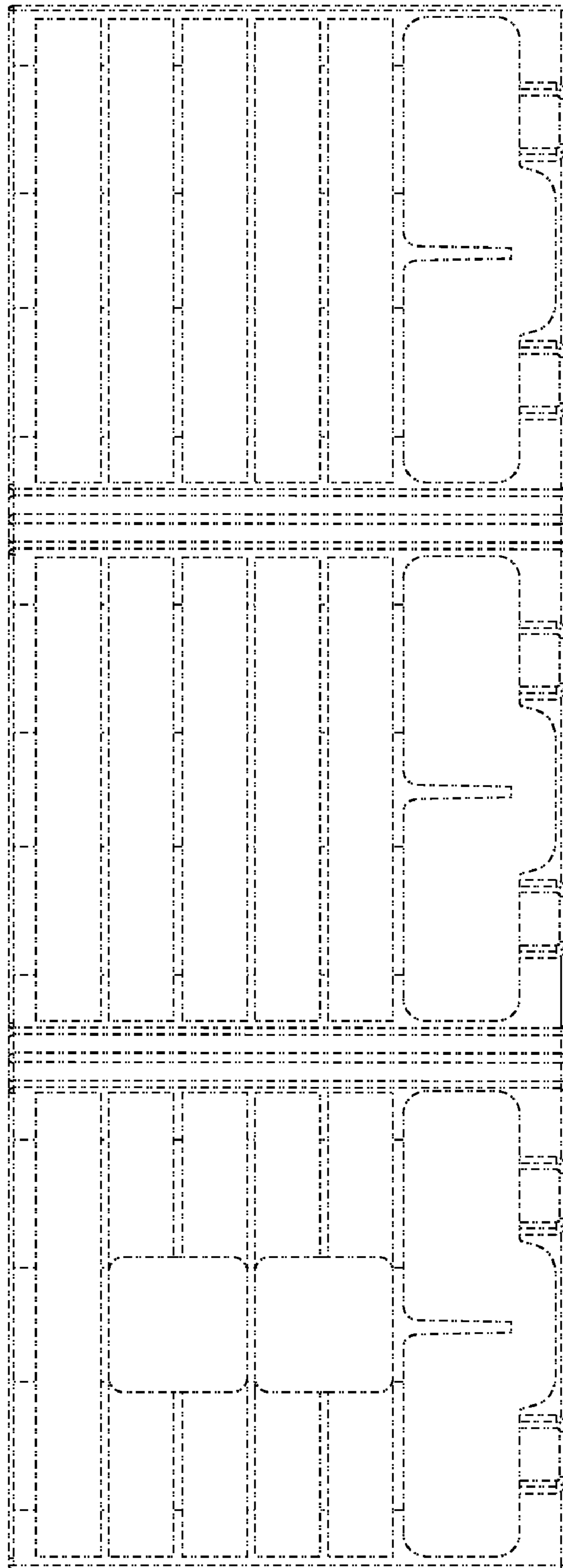


FIG. 4

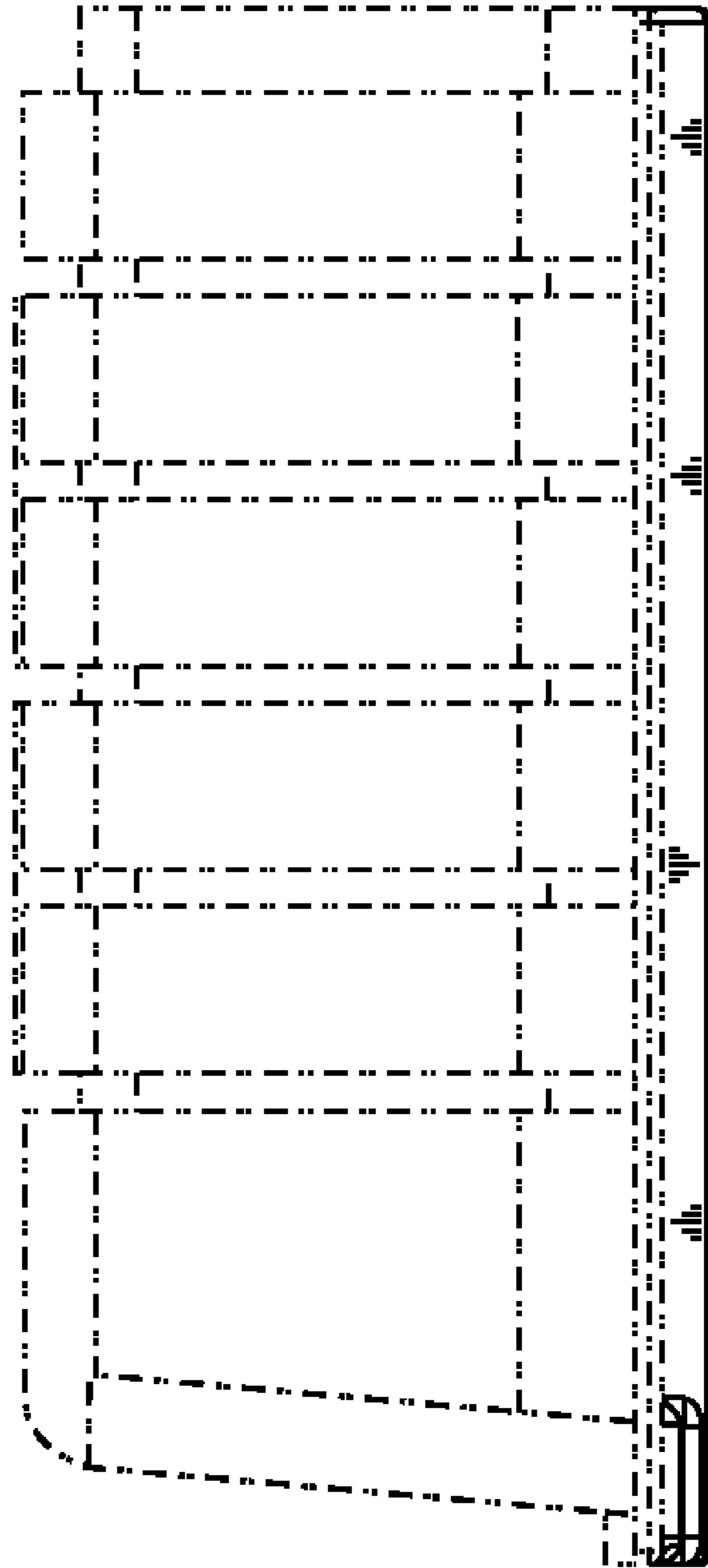


FIG. 5

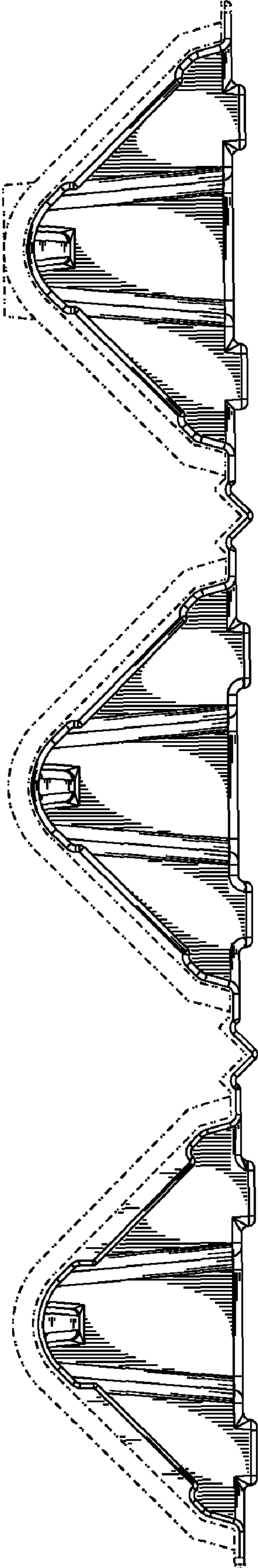


FIG. 6

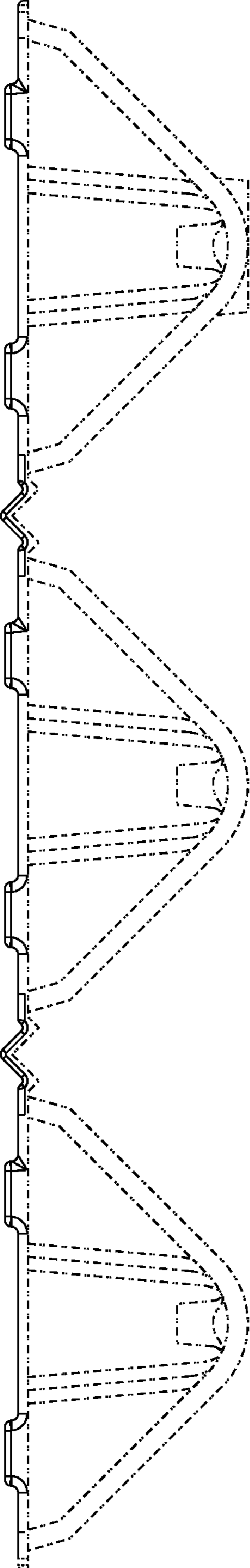


FIG. 7

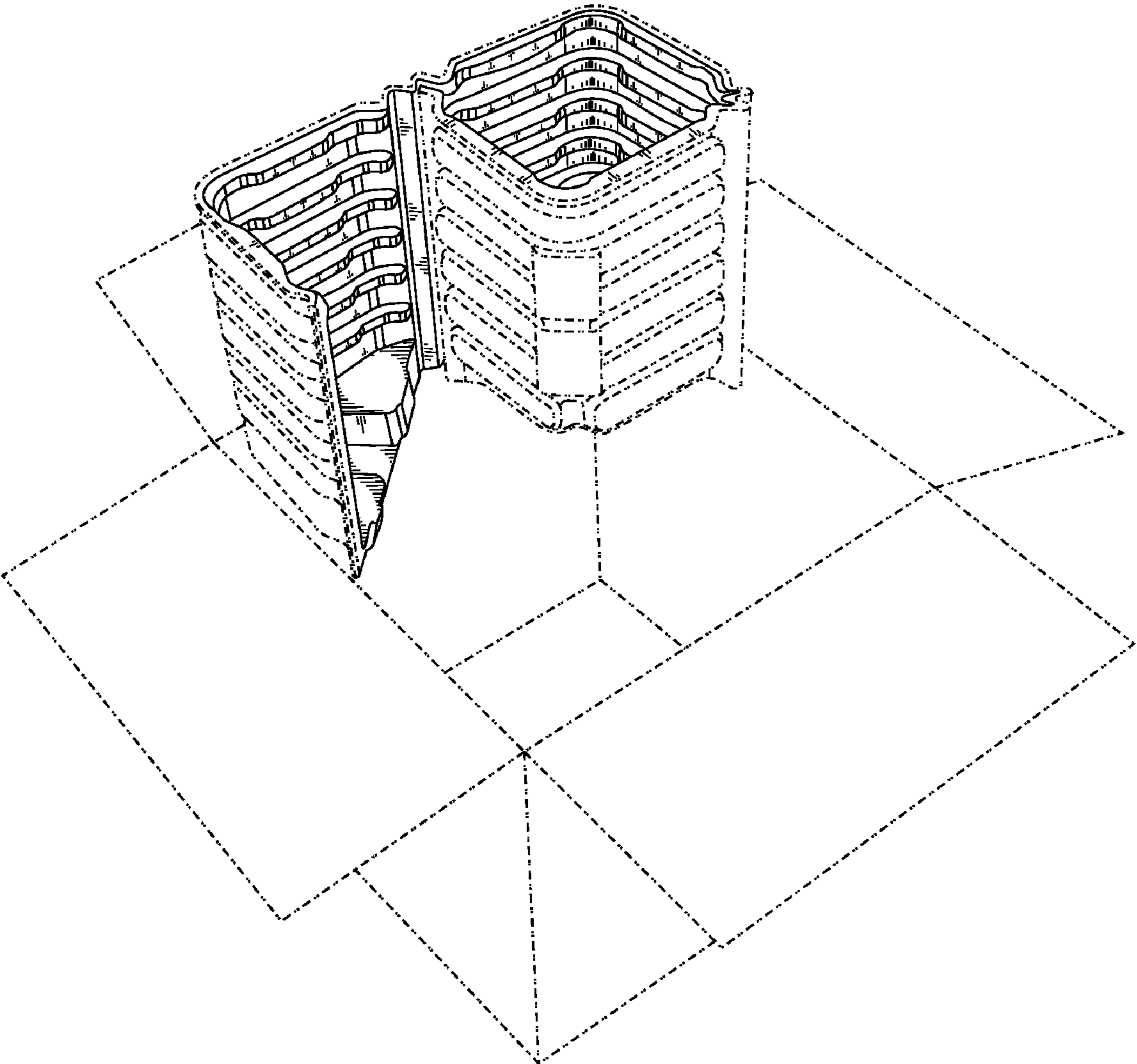


FIG. 8

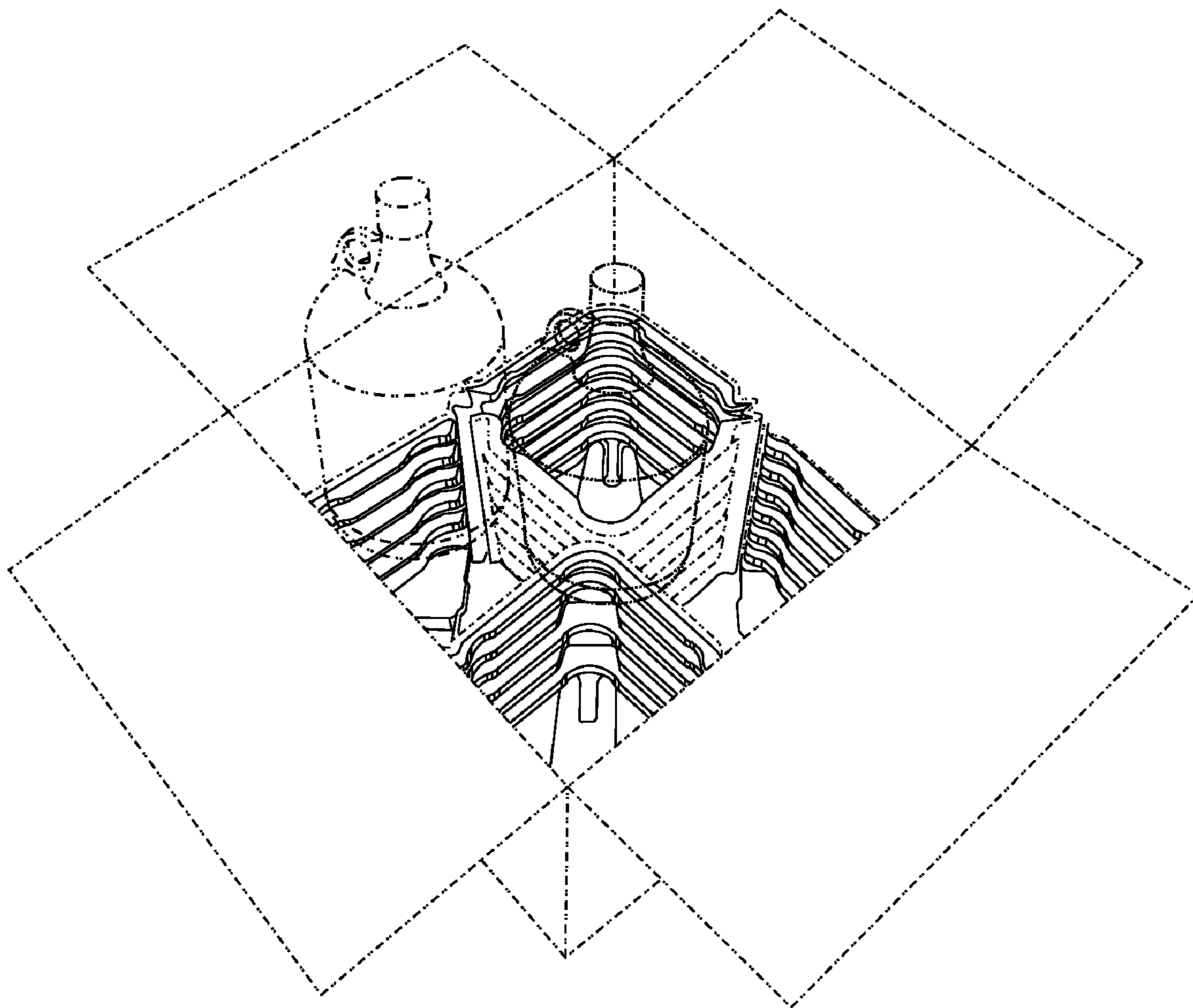


FIG. 9