



US00D631351S

(12) **United States Design Patent**
Coon

(10) **Patent No.:** **US D631,351 S**
(45) **Date of Patent:** **** Jan. 25, 2011**

(54) **DISPENSING CAP FOR A WATER BOTTLE**

D479,995 S * 9/2003 Duceppe D9/444
D501,652 S * 2/2005 Pierson et al. D13/171
6,880,550 B2 4/2005 Miller et al.

(76) **Inventor:** **Darren Coon**, 68 Lacey La., Brockport,
NY (US) 14420

(Continued)

(**) **Term:** **14 Years**

FOREIGN PATENT DOCUMENTS

(21) **Appl. No.:** **29/358,998**

GB 2456059 8/2009

(Continued)

(22) **Filed:** **Apr. 2, 2010**

OTHER PUBLICATIONS

(51) **LOC (9) Cl.** **09-07**

Capable AB, Lift Top Make It Come To Life, webpage, 1 page,
Stockholm, Sweden, <http://www.lifetop.eu/>, CapAble AB.

(52) **U.S. Cl.** **D9/453**

(Continued)

(58) **Field of Classification Search** D9/651,
D9/453, 452, 450, 449, 446, 443, 435; 222/83;
220/277; 215/252, 216, 206, 222, 219
See application file for complete search history.

Primary Examiner—Susan Bennett Hattan
(74) *Attorney, Agent, or Firm*—Tracy P. Jong

(56) **References Cited**

(57) **CLAIM**

U.S. PATENT DOCUMENTS

The ornamental design for a dispensing cap for a water bottle,
as shown.

3,399,796	A *	9/1968	Steiner	215/216
D223,812	S *	6/1972	Long	D9/453
3,970,068	A	7/1976	Sato		
D264,054	S *	4/1982	Kieber	D9/453
4,340,147	A	7/1982	McIntosh		
D284,653	S *	7/1986	Matican	D13/125
5,007,555	A *	4/1991	Beck	220/254.3
5,058,770	A	10/1991	Herold et al.		
5,080,259	A	1/1992	Hadley		
5,255,812	A	10/1993	Hsu		
5,609,262	A *	3/1997	Trout	215/219
5,626,022	A	5/1997	Scudder et al.		
D398,851	S *	9/1998	Gaiser et al.	D9/447
5,809,786	A	9/1998	Scudder et al.		
6,045,004	A	4/2000	Elliott		
6,266,879	B1	7/2001	Scudder et al.		
6,338,252	B1	1/2002	Calderaio		
6,357,627	B1	3/2002	Pasbrig et al.		
6,364,163	B1	4/2002	Mueller		
D461,503	S *	8/2002	Horie	D19/66
6,443,307	B1	9/2002	Burridge		
6,474,506	B2	11/2002	Mawby et al.		
6,533,113	B2	3/2003	Moscovitz		

DESCRIPTION

FIG. 1 is a front perspective view of a dispensing cap for a water bottle cap showing the ornamental design of the exterior surface of the cap.

FIG. 2 is a front orthogonal view of the dispensing cap depicted in FIG. 1.

FIG. 3 is a rear orthogonal view thereof.

FIG. 4 is a left side orthogonal view thereof.

FIG. 5 is a right side orthogonal view thereof.

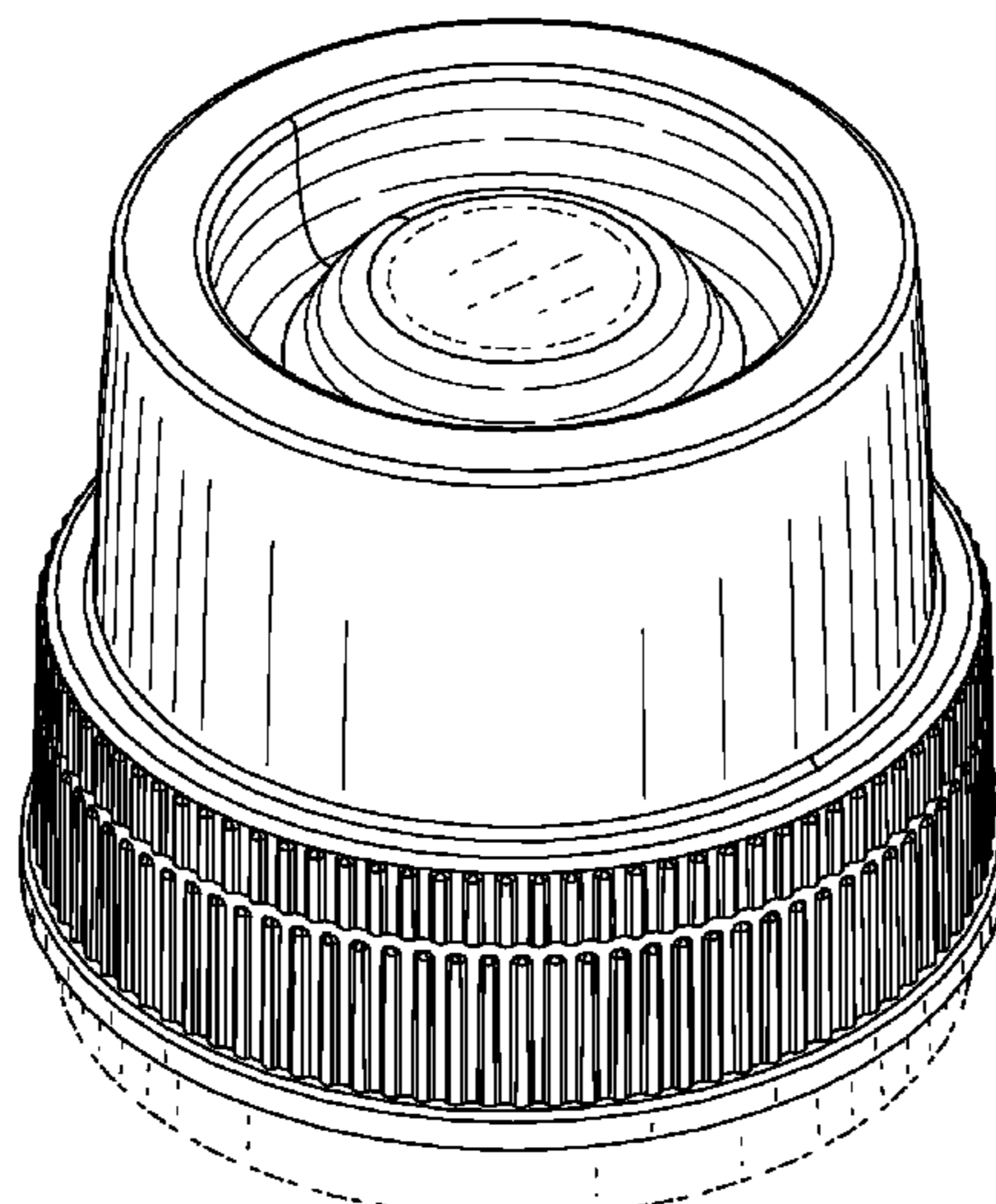
FIG. 6 is a top plan view thereof.

FIG. 7 is a bottom plan view thereof; and,

FIG. 8 is a front perspective view of the dispensing cap depicted in FIG. 1 mounted for use on a water bottle.

The subject matter in broken lines is shown for clarification and forms no part of the claimed design subject matter.

1 Claim, 5 Drawing Sheets



US D631,351 S

Page 2

U.S. PATENT DOCUMENTS

6,908,011 B2 6/2005 Cho
D507,744 S * 7/2005 Hierzer et al. D9/440
6,935,493 B2 8/2005 Cho
7,004,161 B2 2/2006 Kolb
7,017,735 B2 3/2006 Carlson
7,549,558 B2 6/2009 Weist
7,578,386 B2 8/2009 Im
D600,121 S * 9/2009 Marotti et al. D9/454
7,607,549 B2 10/2009 Morini
7,607,555 B2 10/2009 Smith
D604,609 S * 11/2009 Barker D9/447
2002/0066677 A1 6/2002 Moscovitz
2004/0104247 A1 6/2004 Anderson
2005/0198969 A1 9/2005 Scudder et al.
2009/0199843 A1 8/2009 Farone et al.
2009/0236244 A1 9/2009 Frutin
2009/0242561 A1 10/2009 Wellman

2010/0012660 A1 1/2010 Morini et al.

FOREIGN PATENT DOCUMENTS

WO WO9317928 9/1993
WO WO0053507 9/2000
WO WO0105674 1/2001
WO WO0124672 4/2001
WO WO02092440 11/2002
WO WO03036186 5/2003
WO WO2005012133 2/2005
WO WO2009052521 4/2009

OTHER PUBLICATIONS

Blast Cap Technologies, Blast-Cap, webpage, 13 pages, http://www.blastmax.com/Beverage_Blast_Tech.php.
Anton Steeman, More Bottle Caps for Sensitive Vitamins, webpage, Jun. 6, 2009, 4 pages, <http://www.amsteeman.com/?p=1770>.

* cited by examiner

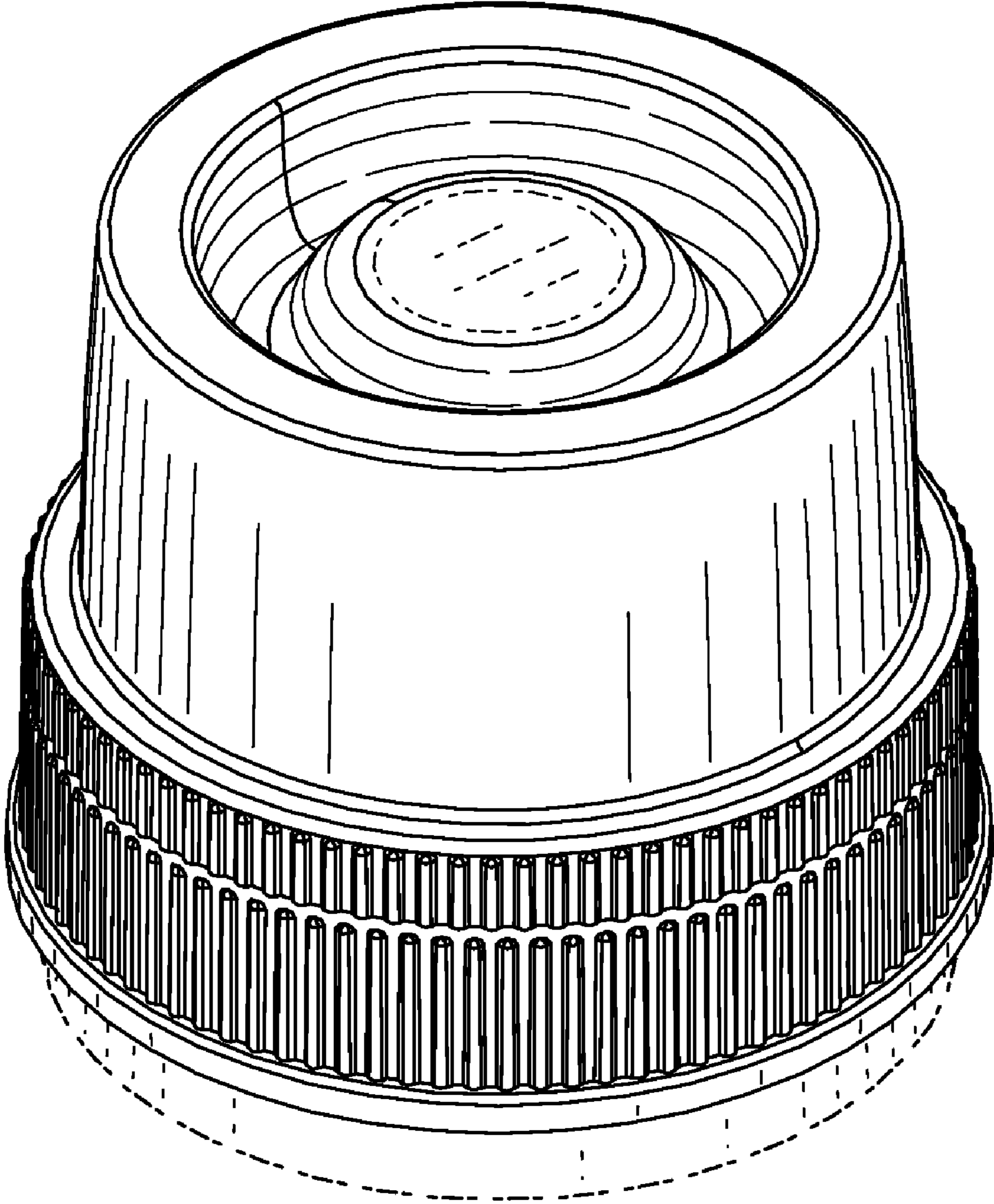


FIG. 1

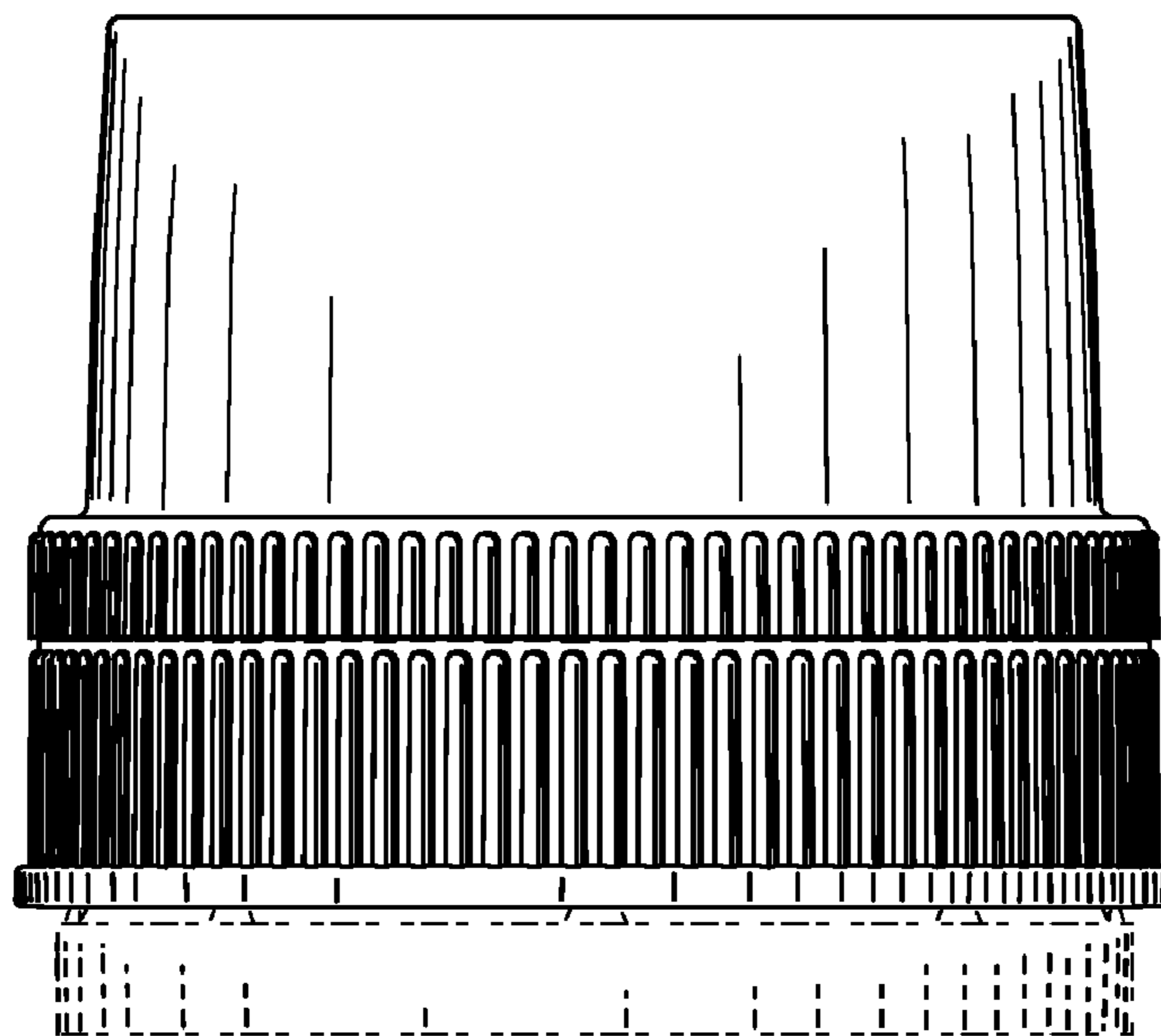


FIG. 2

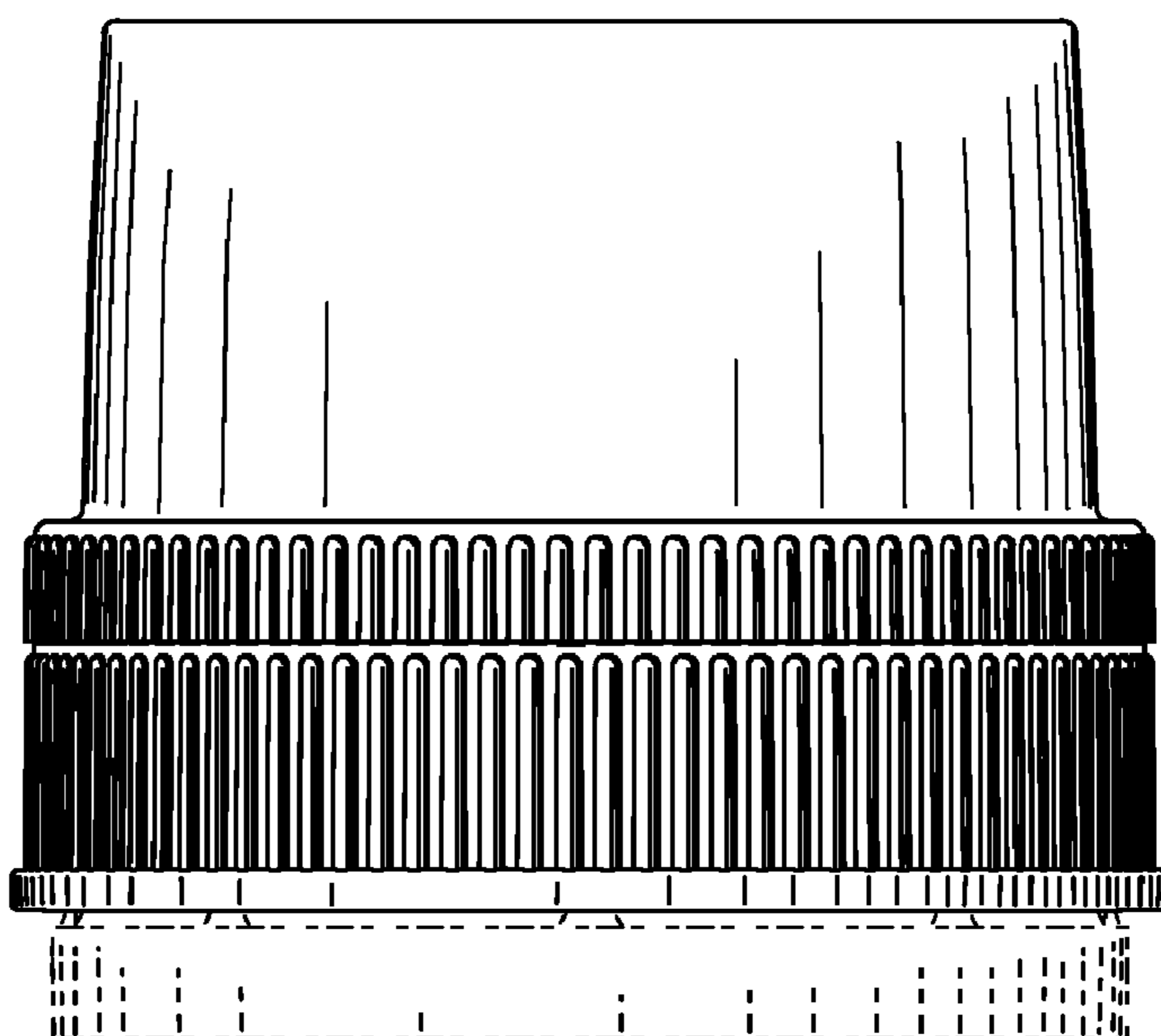


FIG. 3

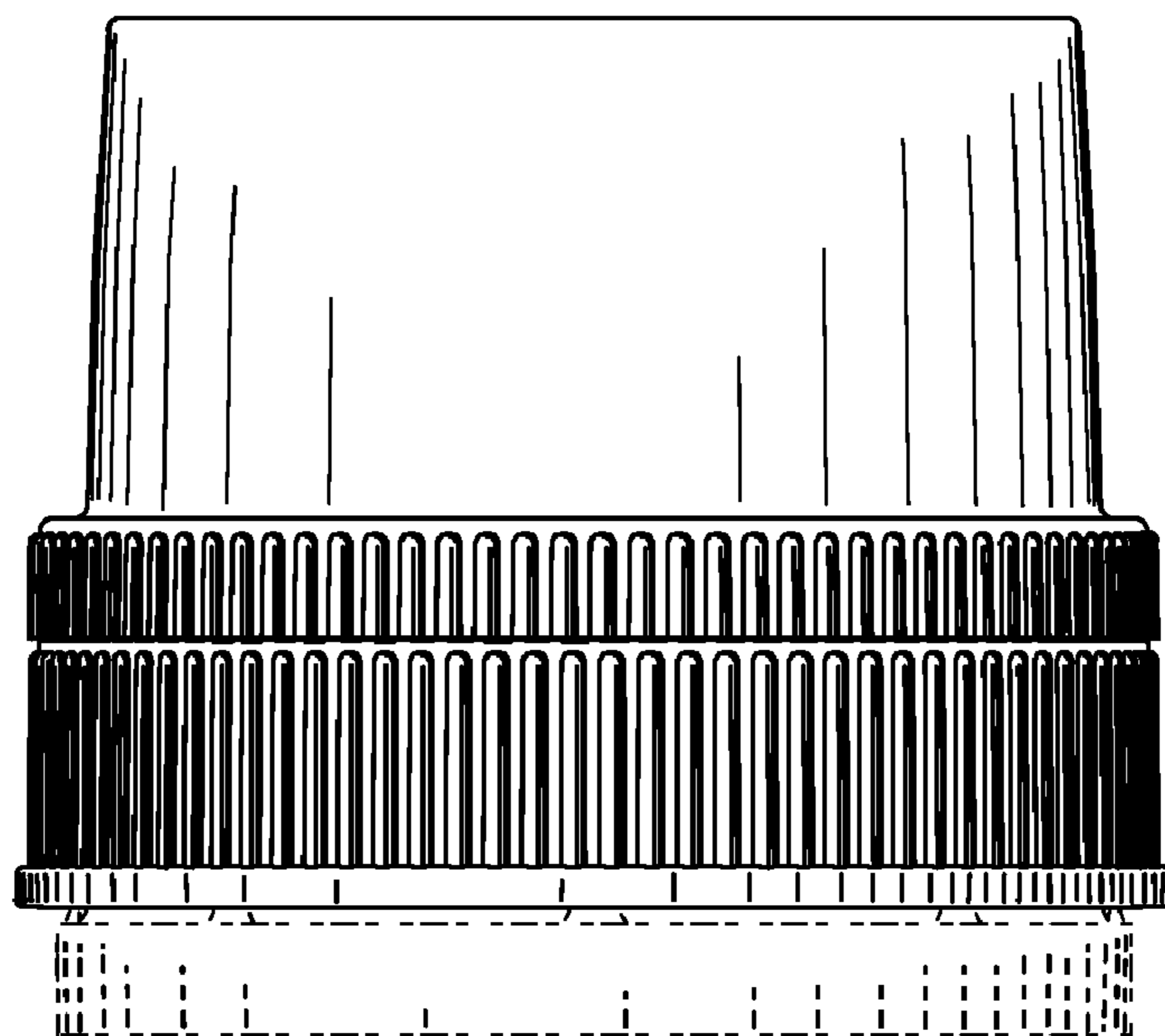


FIG. 4

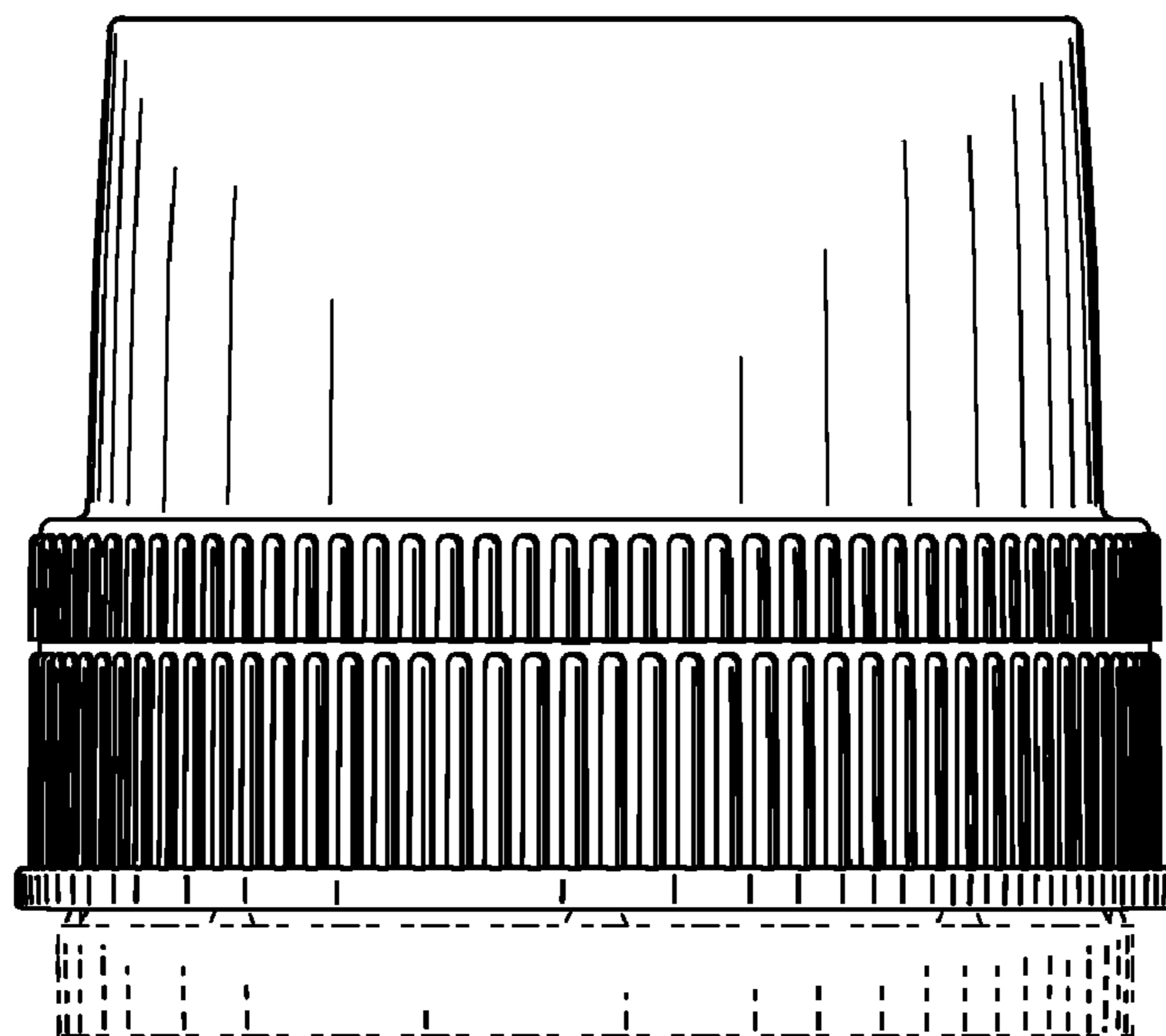


FIG. 5

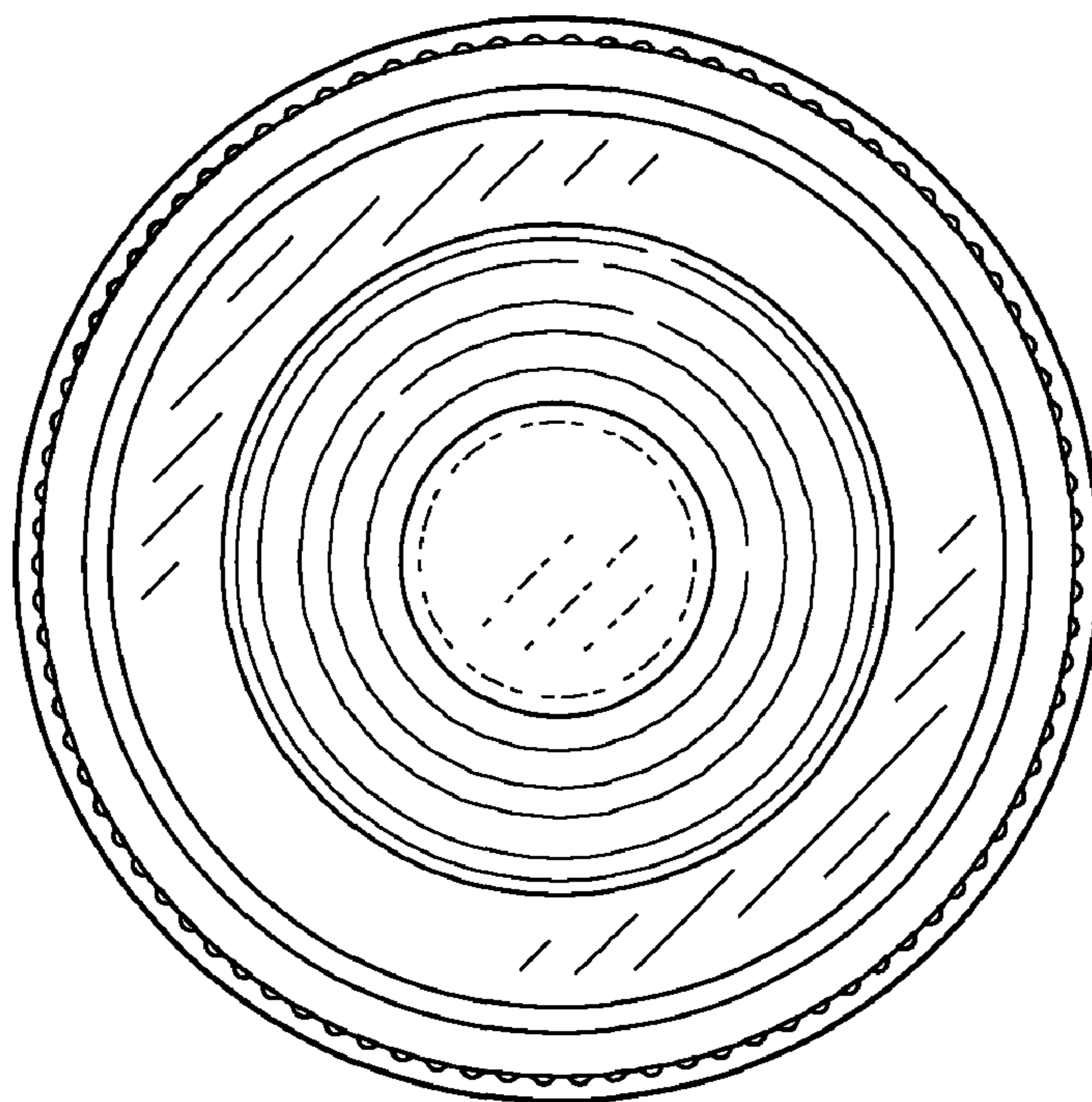


FIG. 6

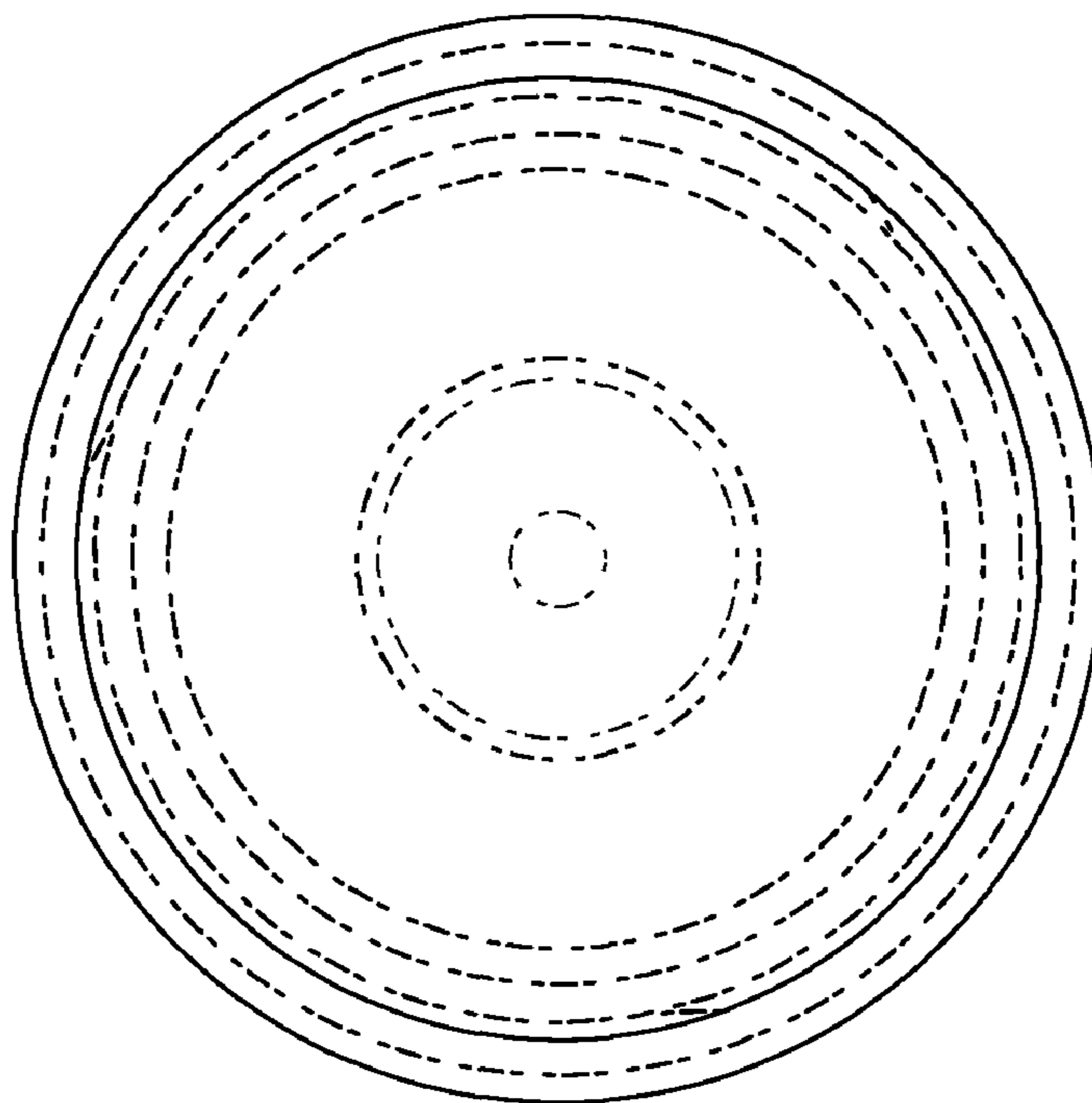


FIG. 7

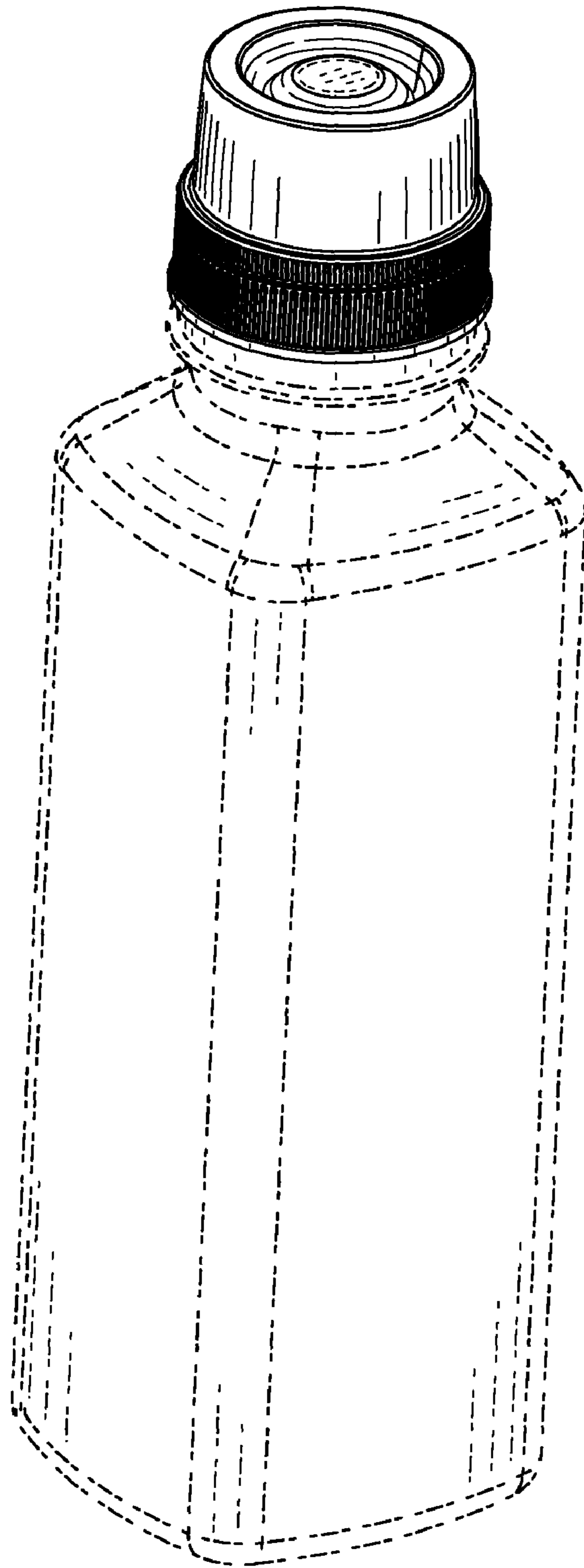


FIG. 8