



US00D631350S

(12) **United States Design Patent**  
**Beach et al.**

(10) **Patent No.:** **US D631,350 S**  
(45) **Date of Patent:** **\*\* Jan. 25, 2011**

(54) **DOUBLE-ENDED CLOSURE**

(75) Inventors: **Michael Beach**, Fitzroy Harbour (CA);  
**Luc Boucher**, Ottawa (CA)

(73) Assignee: **DNA Genotek Inc.**, Kanata (CA)

(\*\*) Term: **14 Years**

(21) Appl. No.: **29/342,799**

(22) Filed: **Sep. 1, 2009**

(51) **LOC (9) Cl.** ..... **09-07**

(52) **U.S. Cl.** ..... **D9/453**

(58) **Field of Classification Search** ..... D9/761,  
D9/759, 756, 708, 709, 702, 456, 455, 454,  
D9/453, 445, 443, 436, 435, 434, 439; 53/412;  
248/146; 229/120; 222/109; 220/4.23, 245.8,  
220/212; 219/439; 215/305, 334, 329; 206/392.6,  
206/392.1, 692, 485; D7/304, 295  
See application file for complete search history.

(56) **References Cited**

**U.S. PATENT DOCUMENTS**

3,199,704 A *	8/1965	Davidson	.....	215/334
D233,138 S *	10/1974	Vogel	.....	D9/453
D274,132 S *	6/1984	Nightingale, III	.....	D9/453
D442,090 S *	5/2001	Jackson et al.	.....	D9/453
D465,731 S *	11/2002	Brant et al.	.....	D9/453
D513,181 S *	12/2005	Bloom et al.	.....	D9/453
D519,030 S *	4/2006	Matsuda et al.	.....	D9/453
D566,555 S *	4/2008	Berman	.....	D9/453
D592,954 S *	5/2009	Capretta et al.	.....	D9/453
D604,612 S *	11/2009	Germann	.....	D9/453

\* cited by examiner

*Primary Examiner*—Susan Bennett Hattan

(74) *Attorney, Agent, or Firm*—Nelson Mullins Riley &  
Scarborough LLP; James H. Velema

(57) **CLAIM**

The ornamental design for a double-ended closure, as shown and described.

**DESCRIPTION**

FIG. 1 is a perspective view showing a double-ended closure according to a first embodiment of our design;

FIG. 2 is a top plan view thereof;

FIG. 3 is a bottom plan view thereof;

FIG. 4 is a side elevation view thereof;

FIG. 5 is a cross-sectional view thereof taken along line 5—5 of FIG. 2;

FIG. 6 is a perspective view of FIG. 5;

FIG. 7 is a side elevation view of the double-ended closure of FIG. 1 with an end of the double-ended closure fastened on a tube shown in broken lines;

FIG. 8 is a side elevation view of the double-ended closure of FIG. 1 with an other end of the double-ended closure fastened on a tube shown in broken lines;

FIG. 9 is a perspective view showing a double-ended closure according to a second embodiment of our design;

FIG. 10 is a top plan view thereof;

FIG. 11 is a bottom plan view thereof;

FIG. 12 is a side elevation view thereof;

FIG. 13 is a cross-sectional view thereof taken along line 13—13 of FIG. 10;

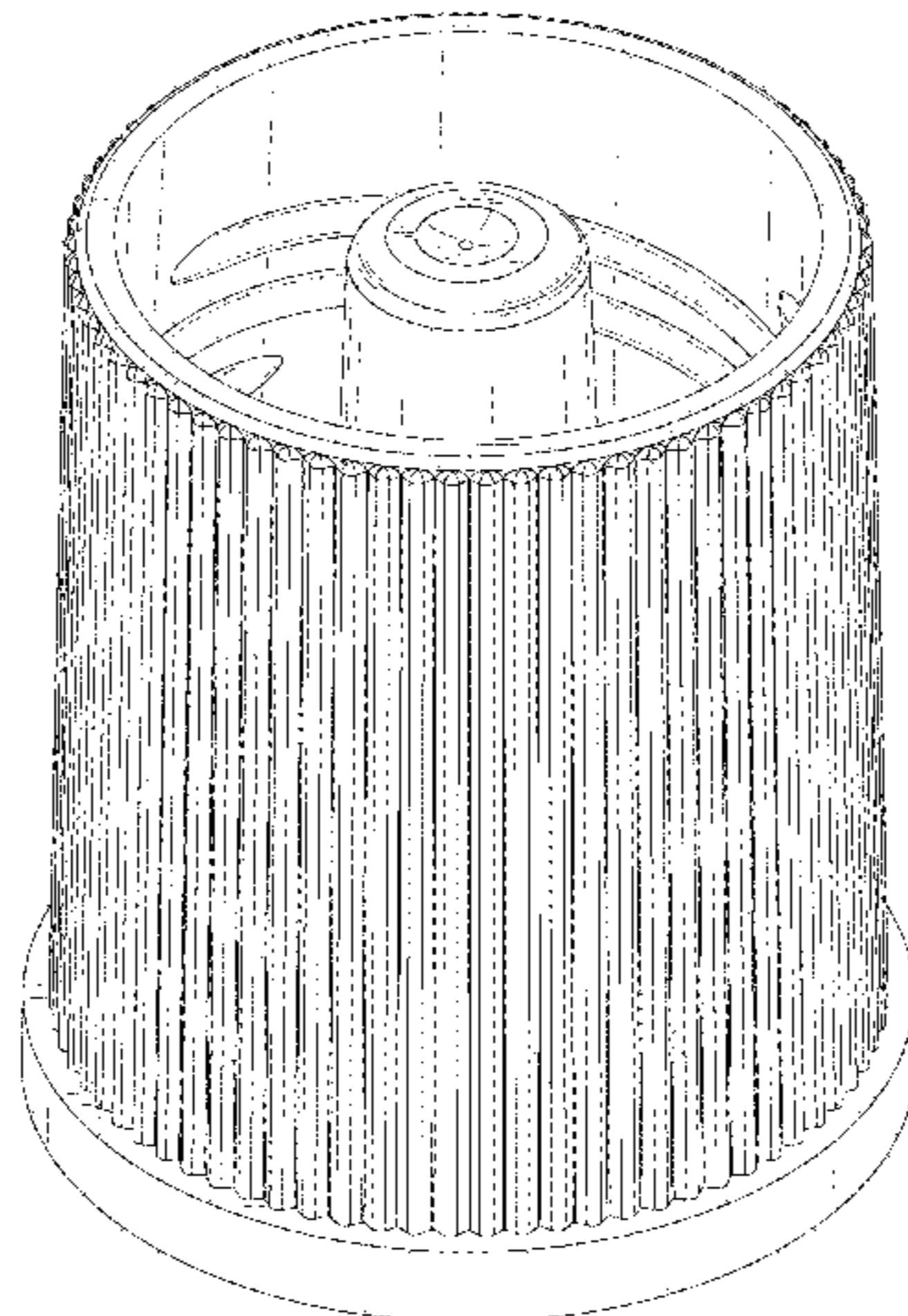
FIG. 14 is a perspective view of FIG. 13;

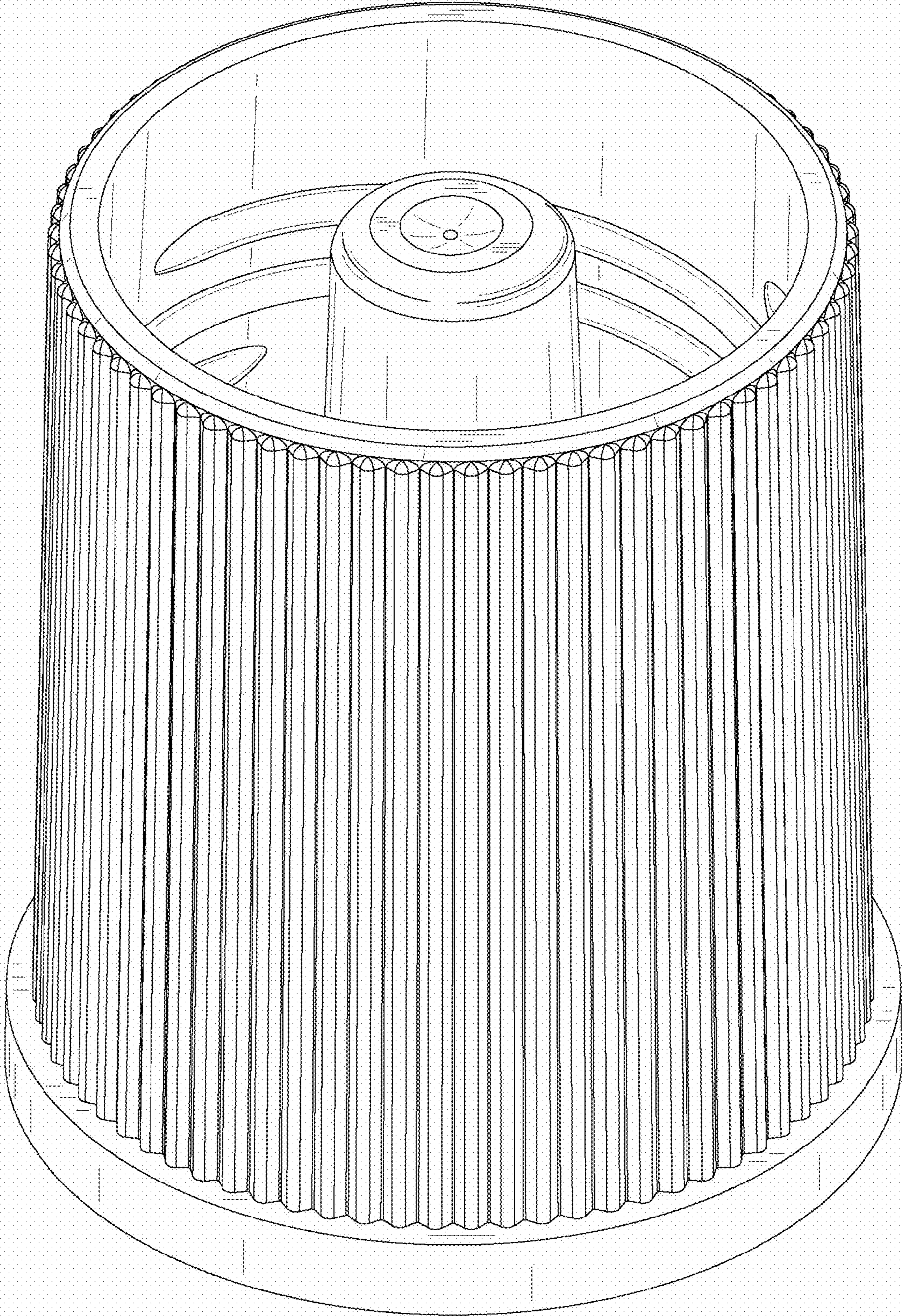
FIG. 15 is a side elevation view of the double-ended closure of FIG. 9 with an end of the double-ended closure fastened on a tube shown in broken lines; and,

FIG. 16 is a side elevation view of the double-ended closure of FIG. 9 with an other end of the double-ended closure fastened on a tube shown in broken lines.

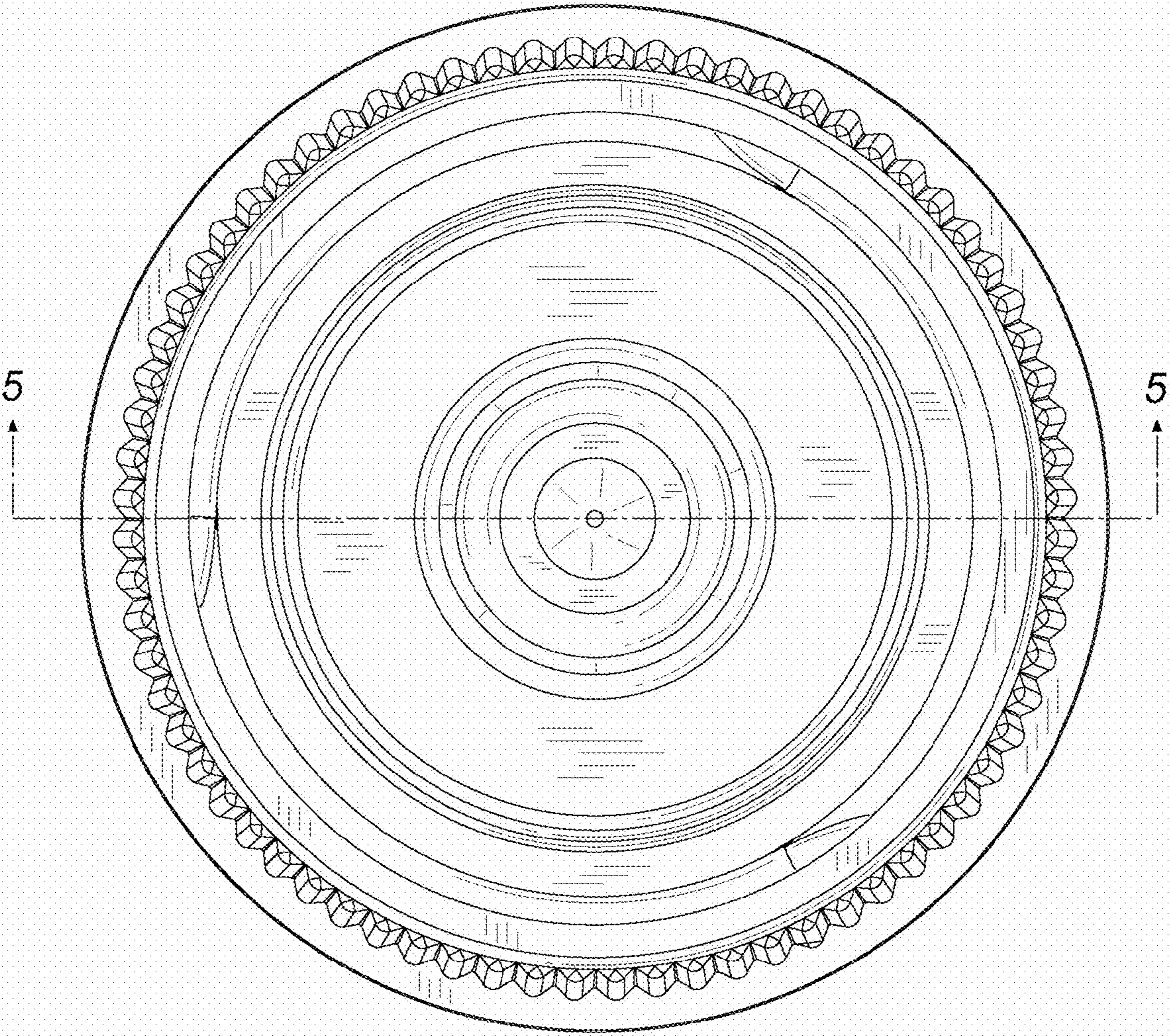
Throughout the Figures, broken lines showing environment or structure are for illustrative purposes only and form no part of the claimed design.

**1 Claim, 16 Drawing Sheets**

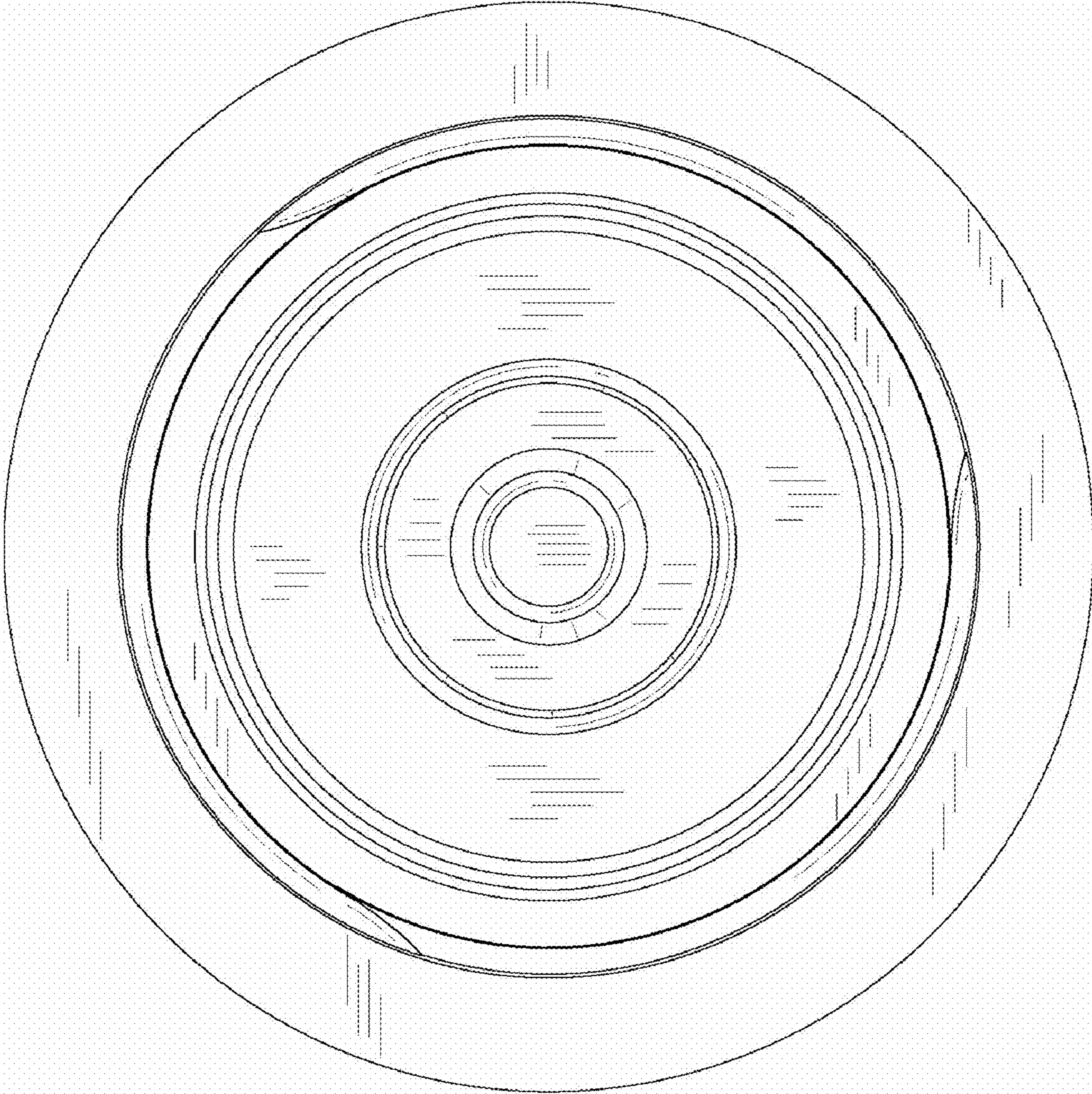




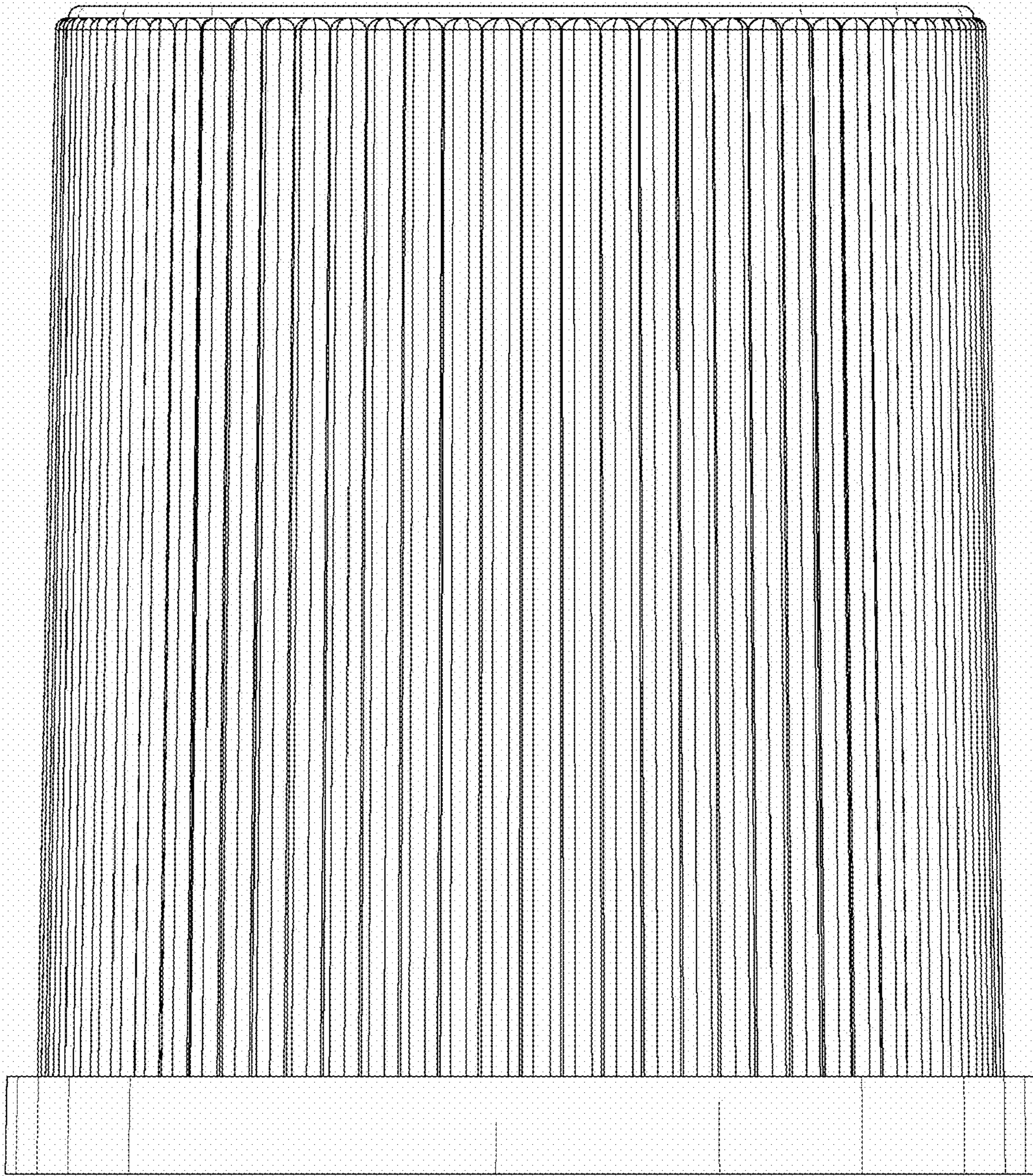
**FIG. 1**



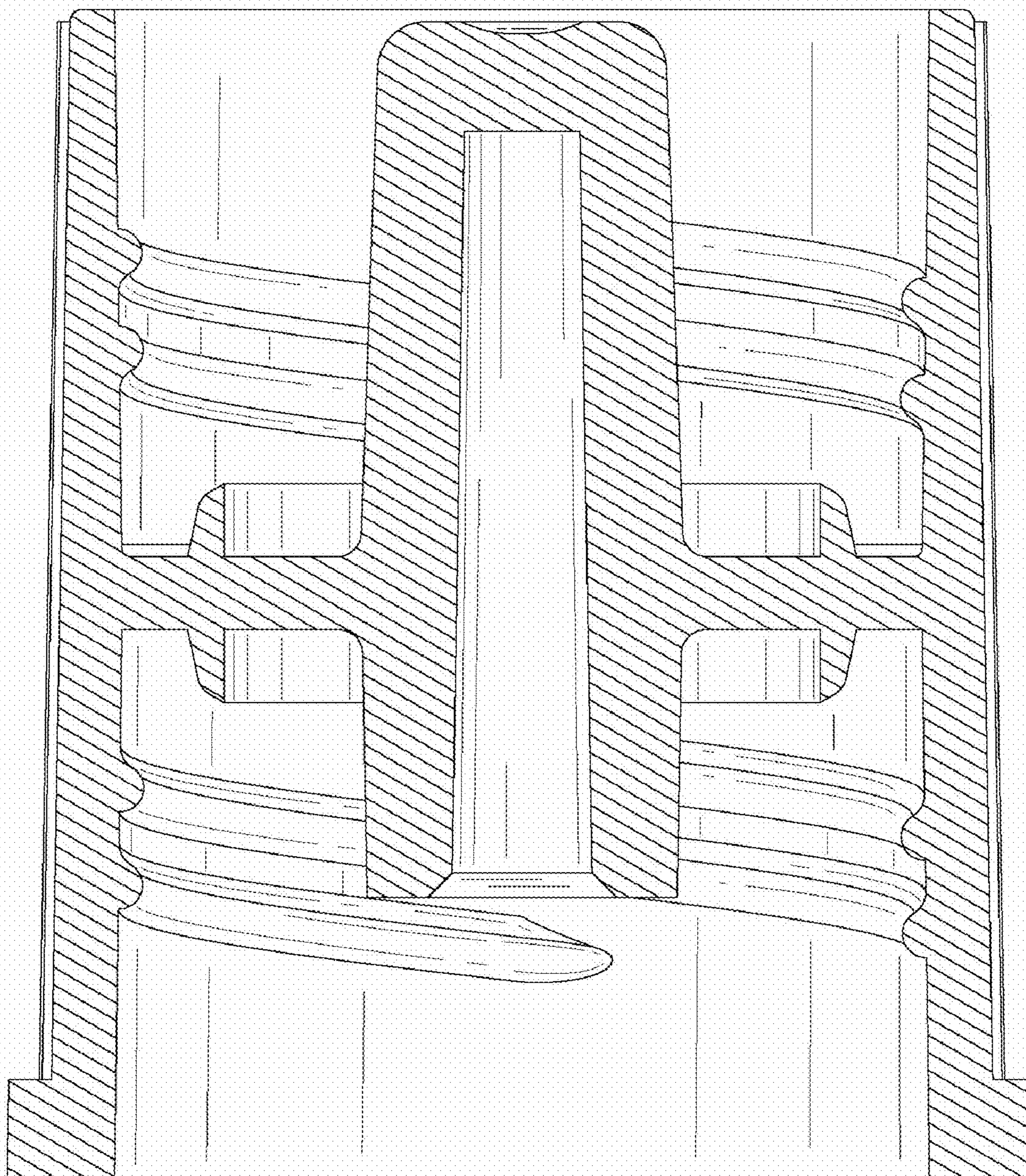
**FIG. 2**



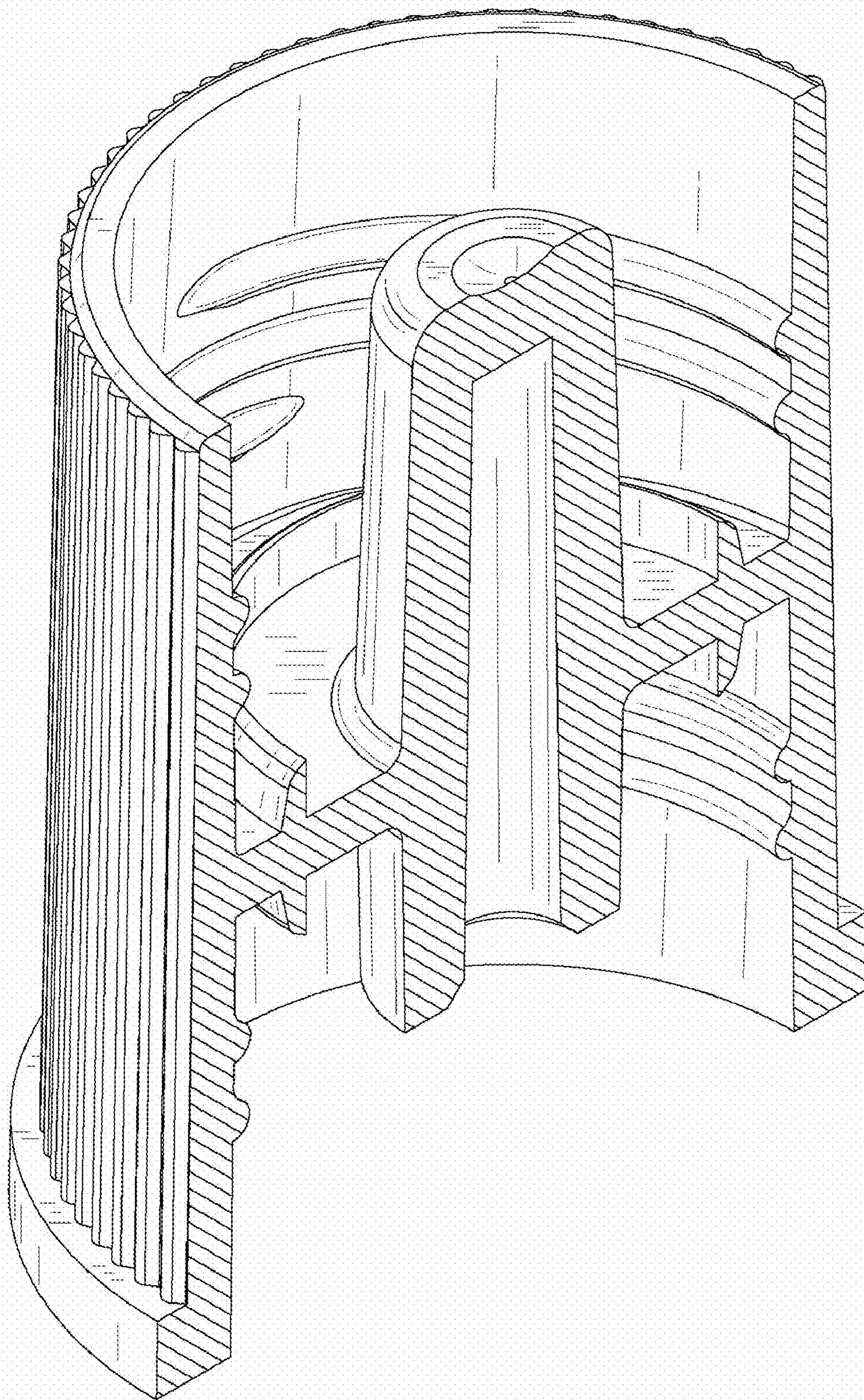
**FIG. 3**



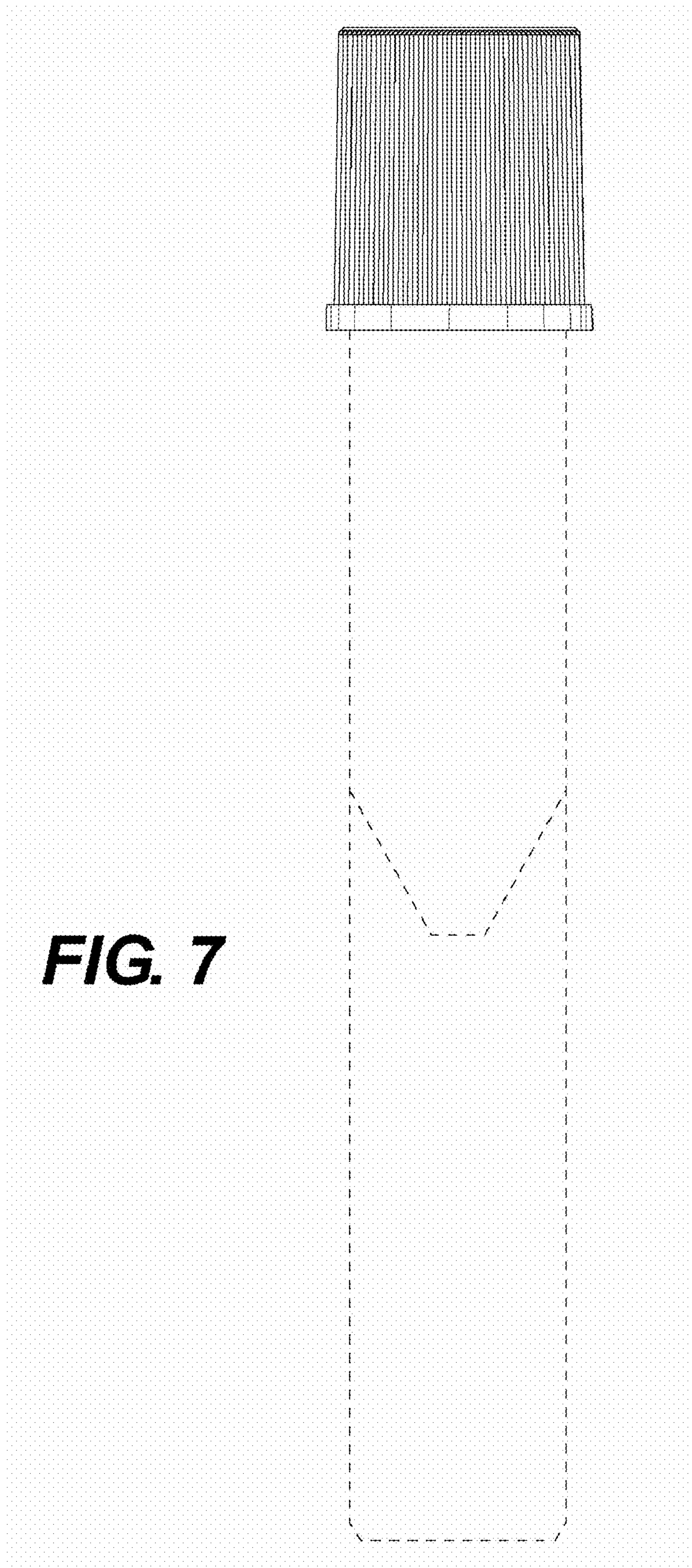
**FIG. 4**



**FIG. 5**



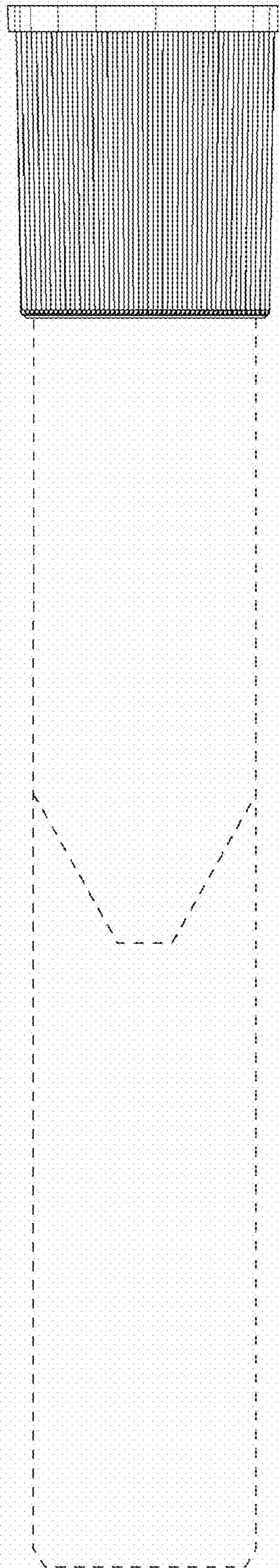
**FIG. 6**

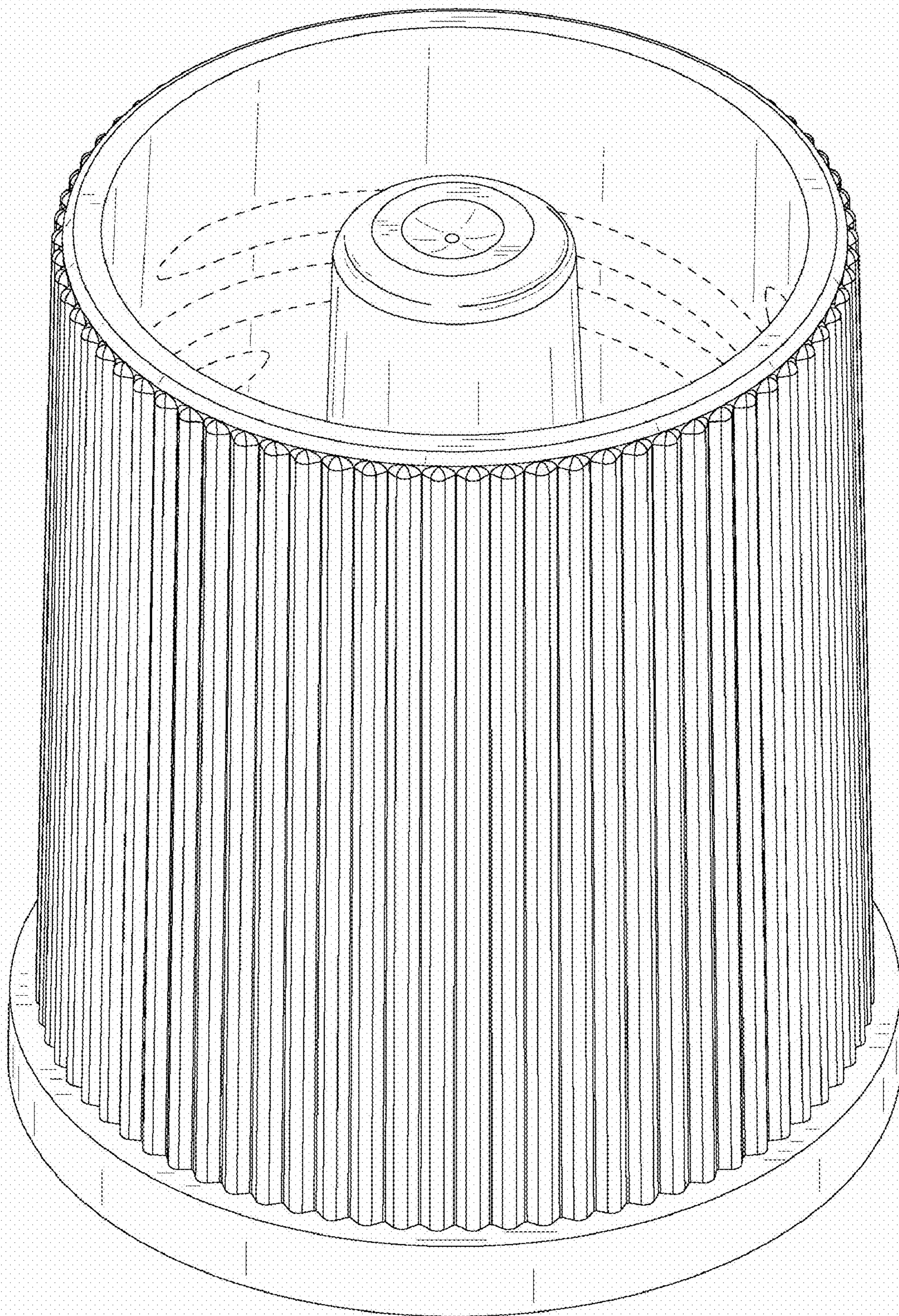


**FIG. 7**

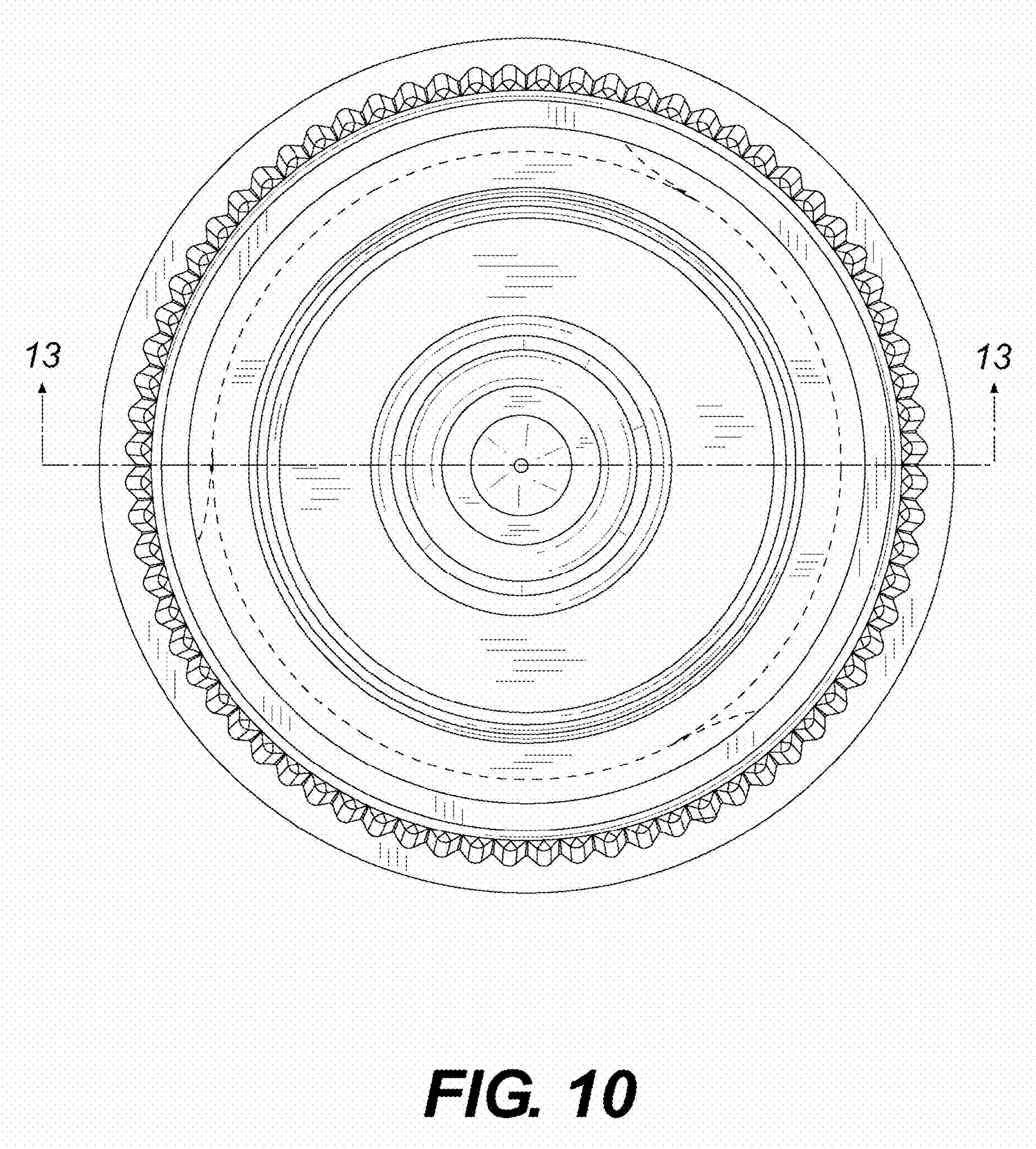


**FIG. 8**

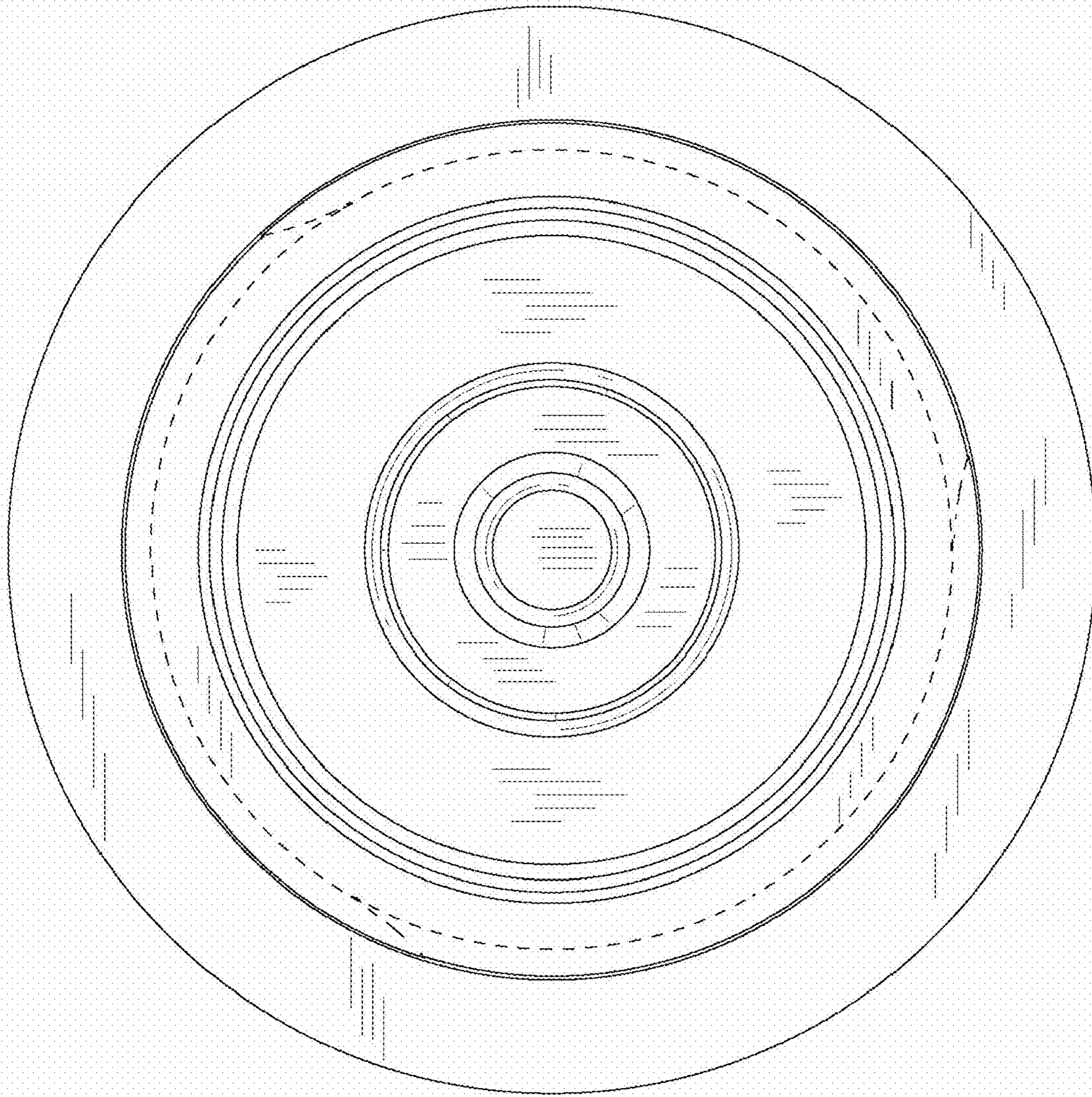




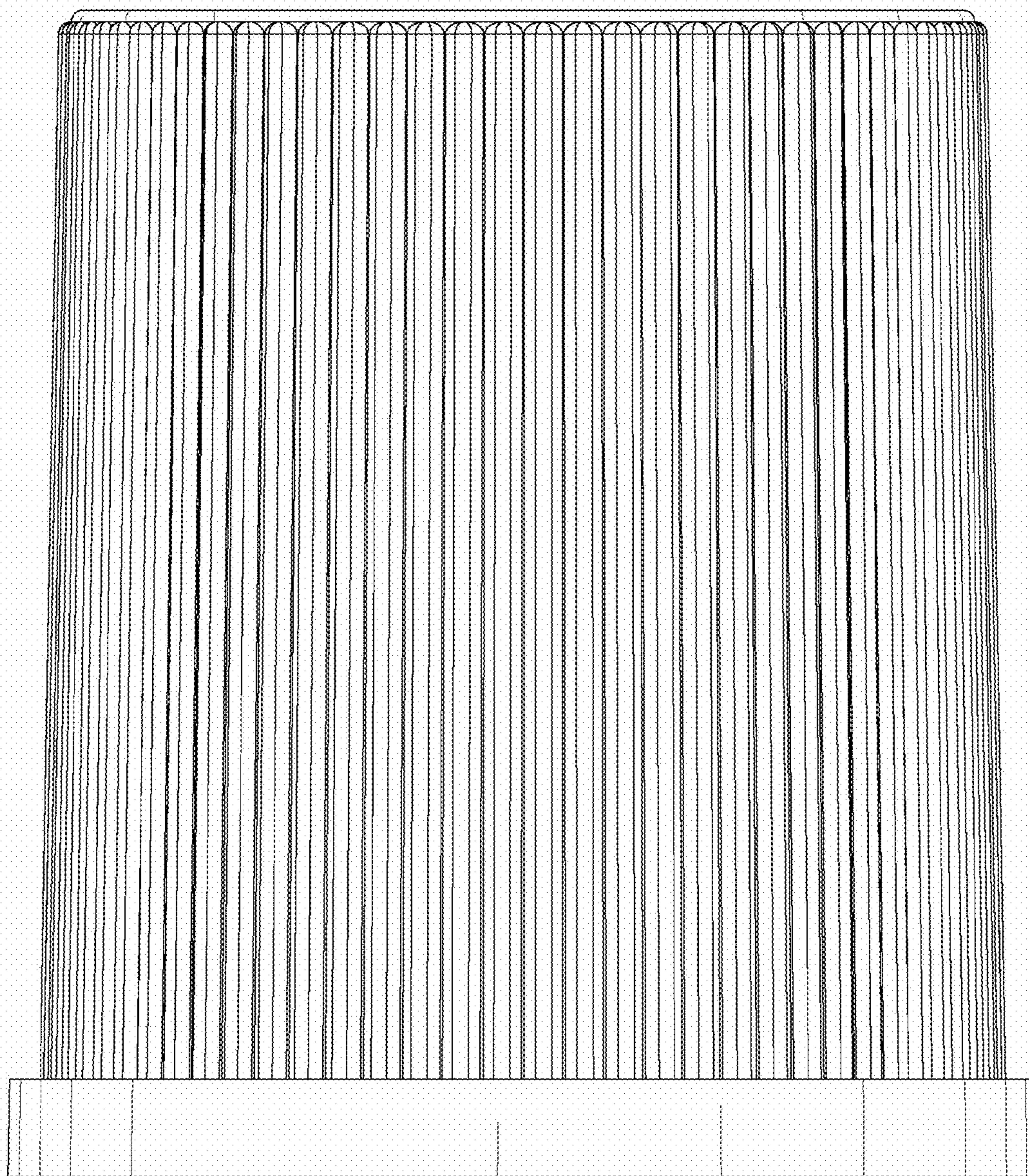
**FIG. 9**



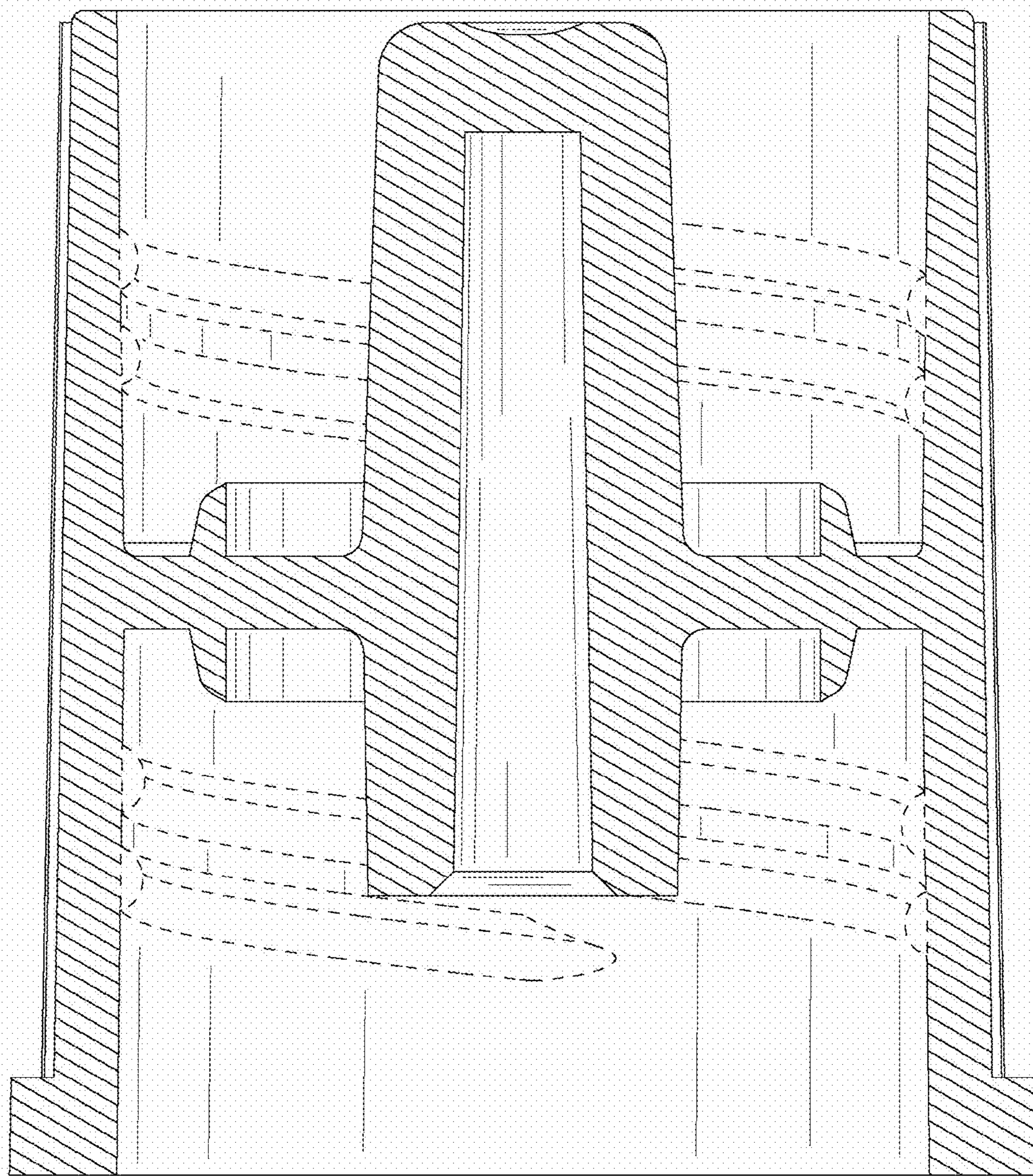
**FIG. 10**



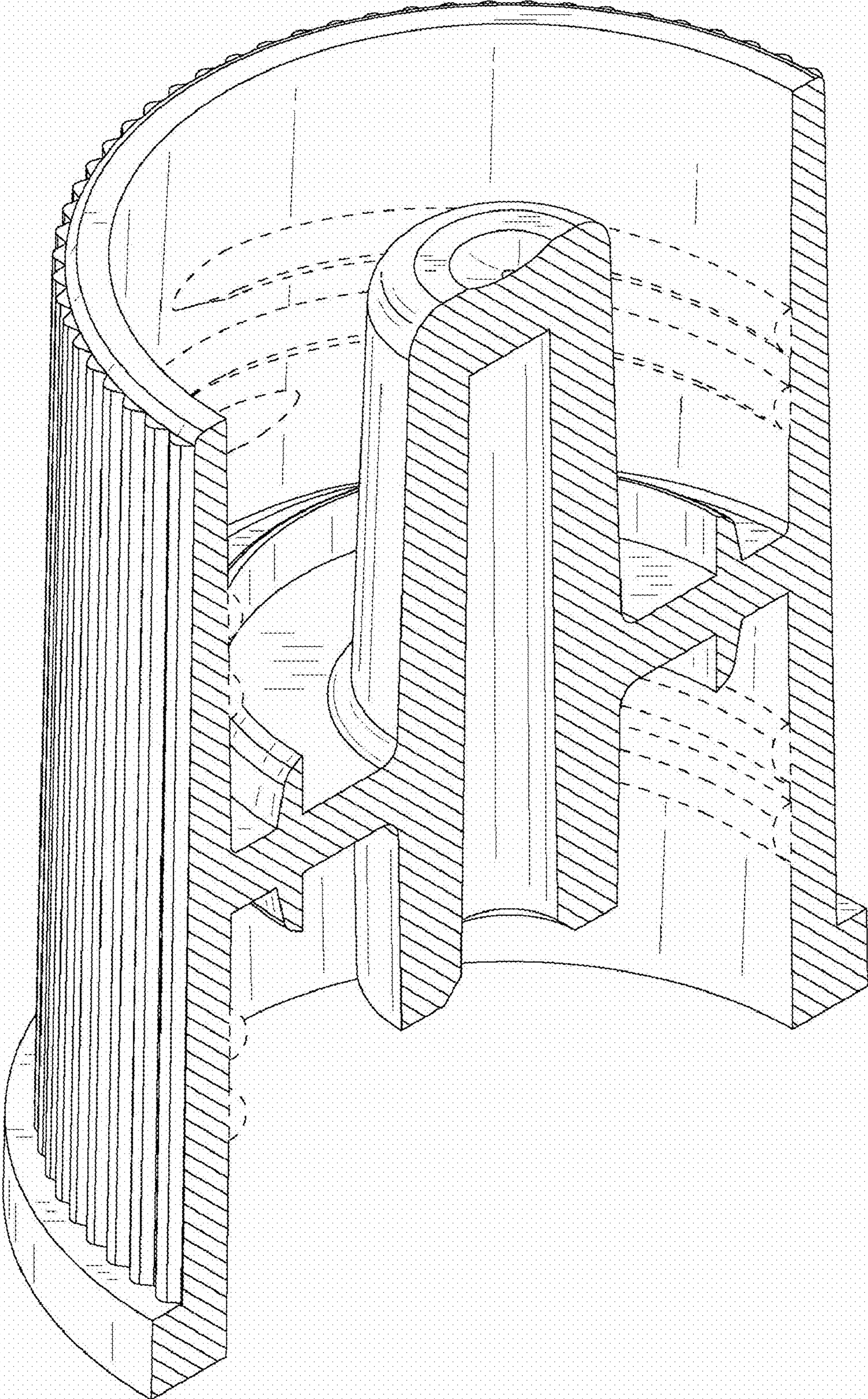
**FIG. 11**



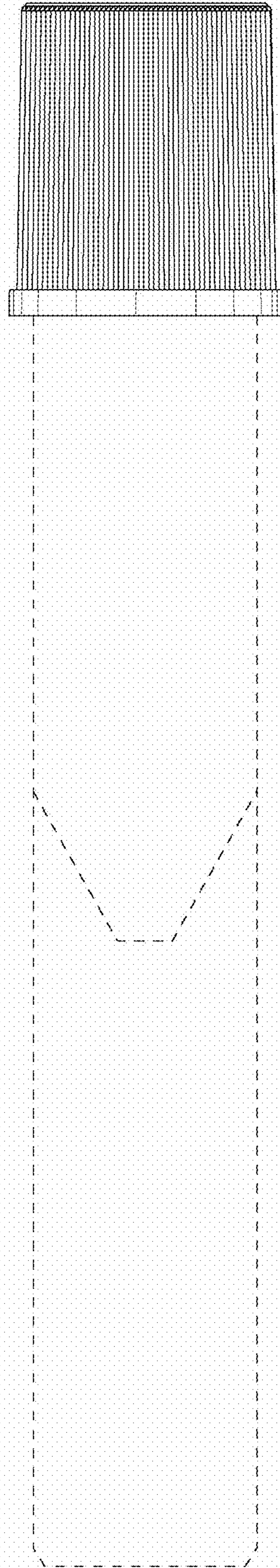
**FIG. 12**



**FIG. 13**

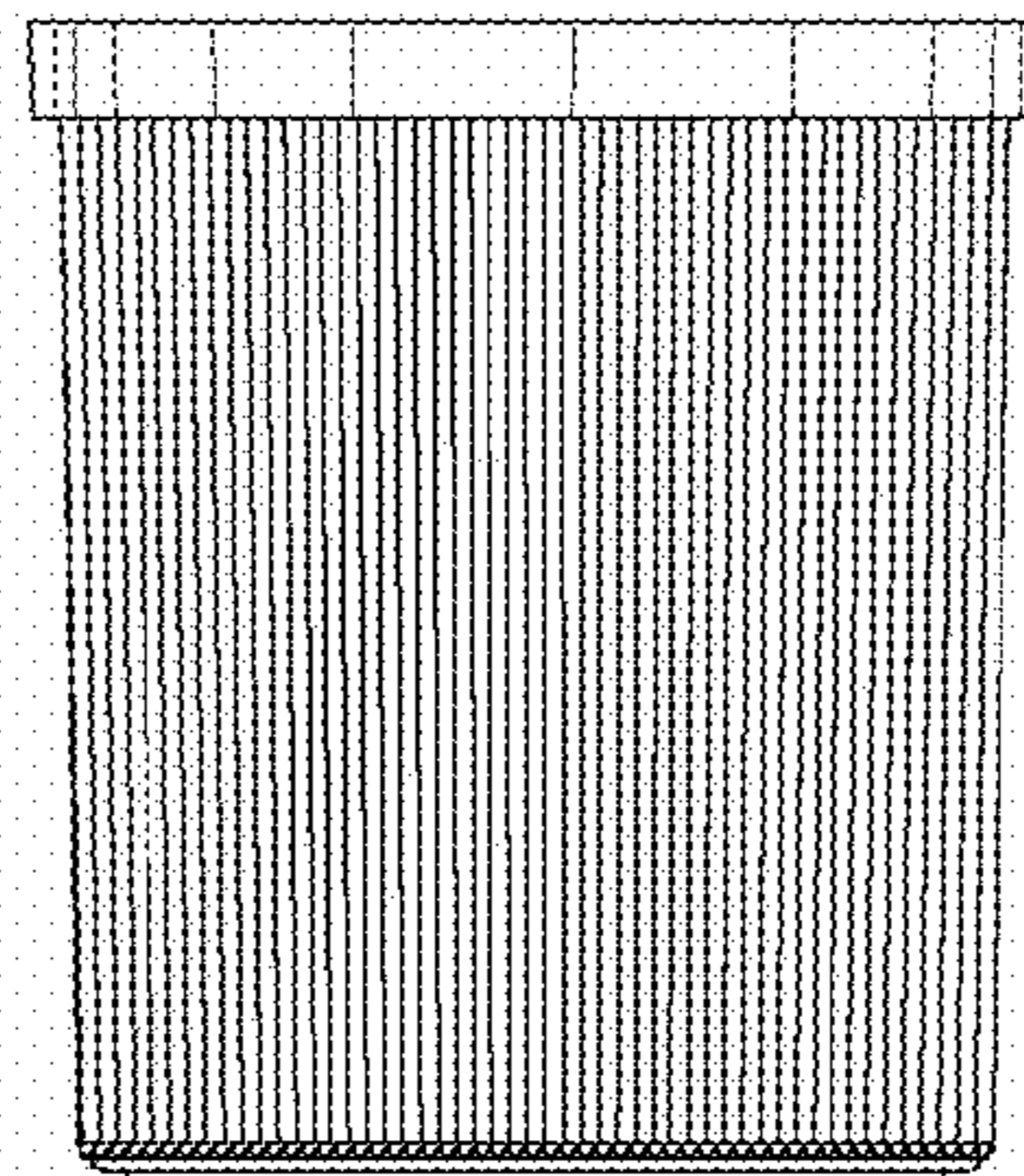


**FIG. 14**



**FIG. 15**





**FIG. 16**