



US00D631348S

(12) **United States Design Patent**
Weiss et al.

(10) **Patent No.:** **US D631,348 S**

(45) **Date of Patent:** **** Jan. 25, 2011**

(54) **LID FOR A CONTAINER**

(75) Inventors: **David Weiss**, Plantation, FL (US);
Martin Pechter, Boca Raton, FL (US);
Tom Talbot, Plantation, FL (US)

(73) Assignee: **Boca Enterprise Group, Inc.**, Boca
Raton, FL (US)

(**) Term: **14 Years**

(21) Appl. No.: **29/363,915**

(22) Filed: **Jun. 16, 2010**

(51) **LOC (9) Cl.** **09-07**

(52) **U.S. Cl.** **D9/447; D9/454; D9/452**

(58) **Field of Classification Search** D9/780,
D9/778, 772, 763, 756, 556, 529, 518, 504,
D9/503, 454, 450, 449, 447, 440, 438, 435,
D9/434, 428, 425, 424; D7/584, 392.1; 229/123.1;
222/556; 220/906, 806, 716, 713, 711, 359.3,
220/359.1, 285, 273, 265, 259.2–259.4, 258.2,
220/257.1, 254.4; 215/256, 249, 232, 216;
206/530

See application file for complete search history.

(56) **References Cited**

U.S. PATENT DOCUMENTS

4,245,752 A	1/1981	Prueher	
4,438,865 A	3/1984	Scattaregia	
4,756,440 A	7/1988	Gartner	
D359,417 S *	6/1995	Chen D7/510
5,894,952 A *	4/1999	Mendenhall et al. 220/713
D417,845 S	12/1999	Sadlier et al.	
6,207,100 B1	3/2001	Weiss et al.	

6,230,924 B1	5/2001	Weiss et al.	
6,488,170 B1	12/2002	Johnson	
D468,206 S	1/2003	Weiss et al.	
D469,693 S	2/2003	Weiss et al.	
D476,567 S	7/2003	Weiss et al.	
6,679,397 B2	1/2004	Smith et al.	
D562,065 S *	2/2008	Smaldone D7/396.2
7,591,393 B2	9/2009	Crudgington, Jr.	
D609,046 S	2/2010	Valderrama et al.	
2009/0050641 A1 *	2/2009	Ivey 220/713

* cited by examiner

Primary Examiner—Susan Bennett Hattan

(74) *Attorney, Agent, or Firm*—Jacqueline Tadros, P.A.;
Jacqueline Tadros, Esq.

(57) **CLAIM**

The ornamental design for a lid for a container, as shown and described.

DESCRIPTION

FIG. 1 is a front perspective view of the lid for a container of the present invention;

FIG. 2 is a rear perspective view of the lid of the present invention;

FIG. 3 is a side perspective view of the lid of the present invention;

FIG. 4 is a side view of the lid of the present invention;

FIG. 5 is a top view of the lid of the present invention;

FIG. 6 is a bottom view of the lid of the present invention; and,

FIG. 7 is a cross sectional view of the lid of the present invention along line 7—7 of FIG. 5.

1 Claim, 4 Drawing Sheets

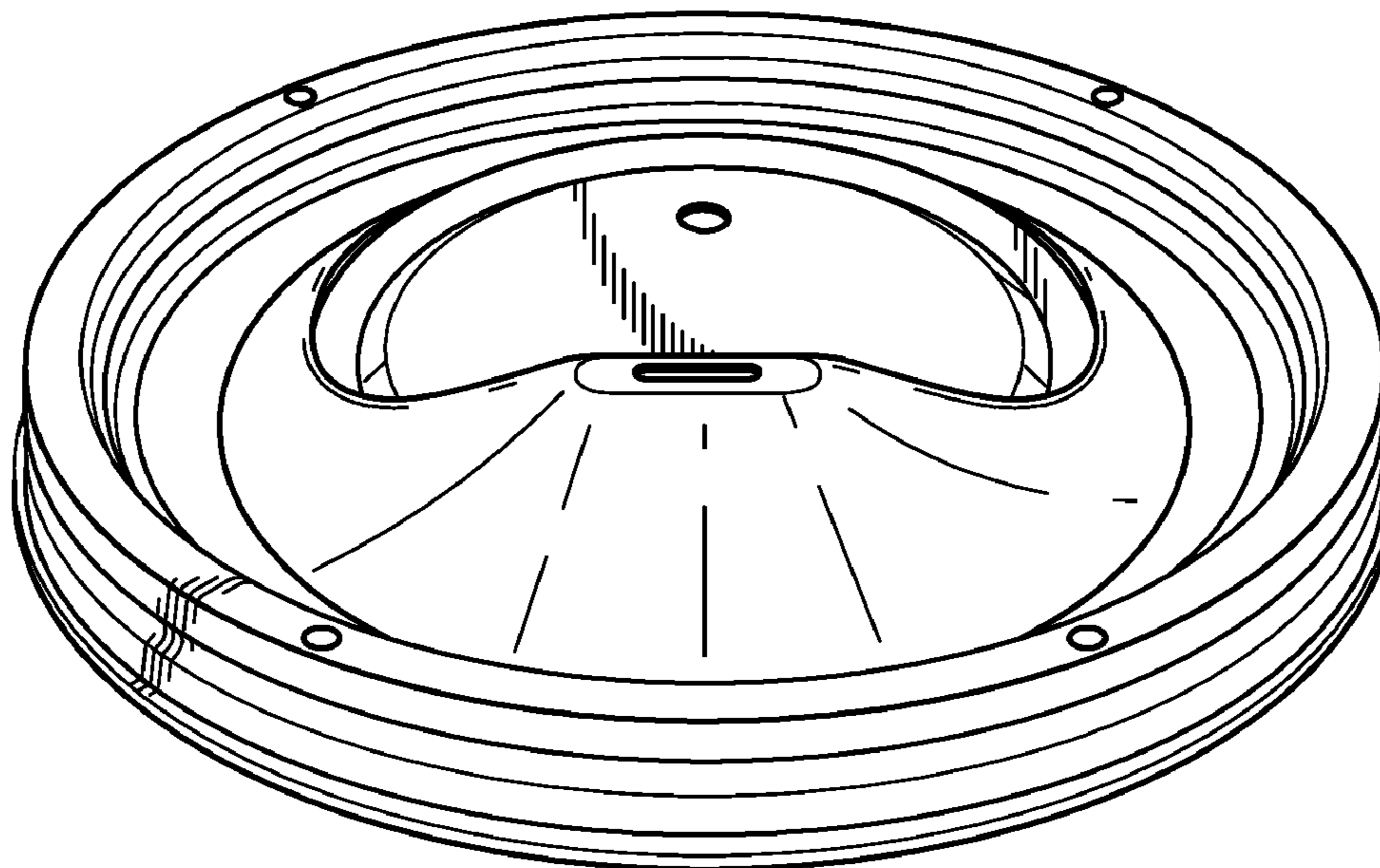


FIG. 1

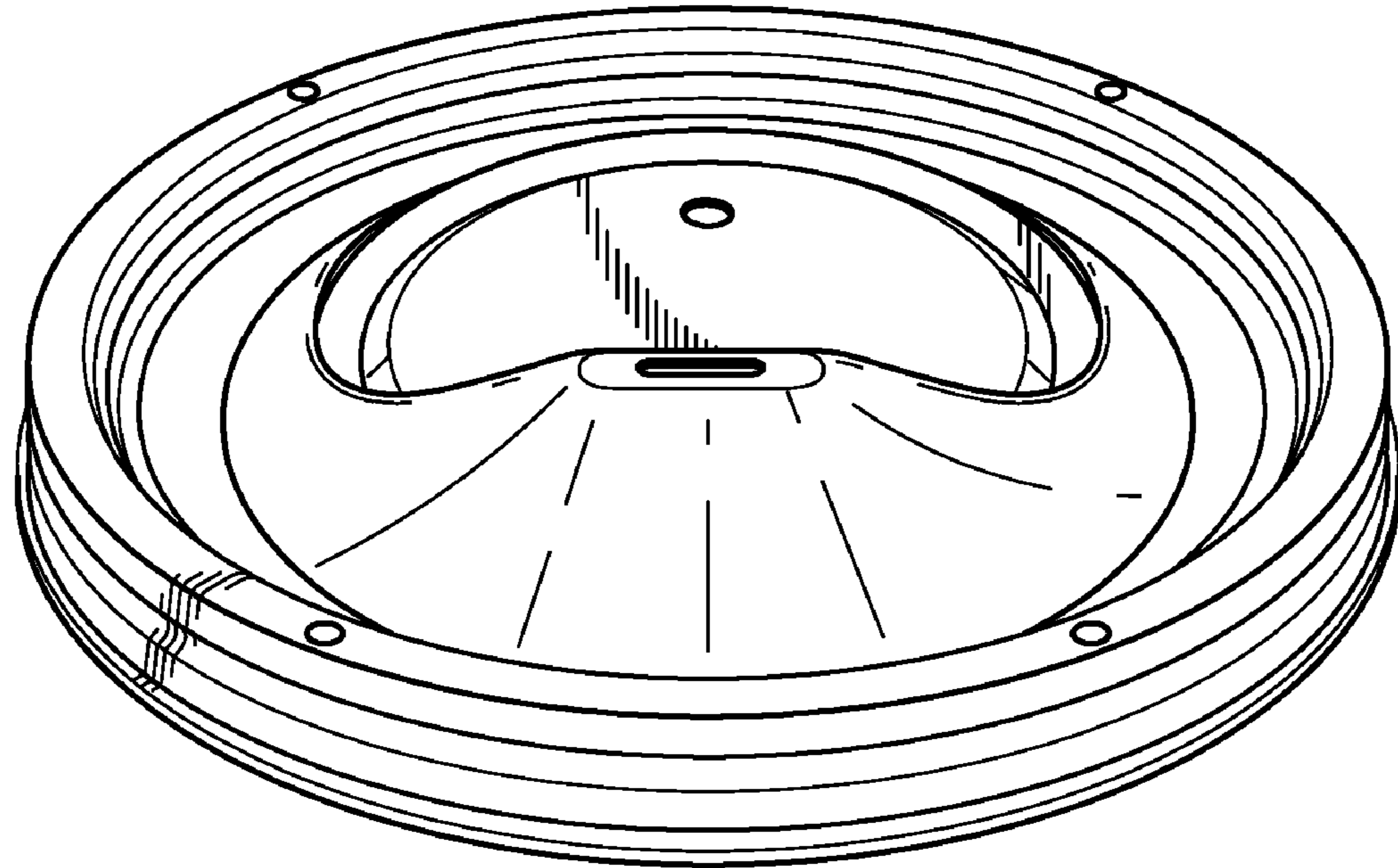


FIG. 2

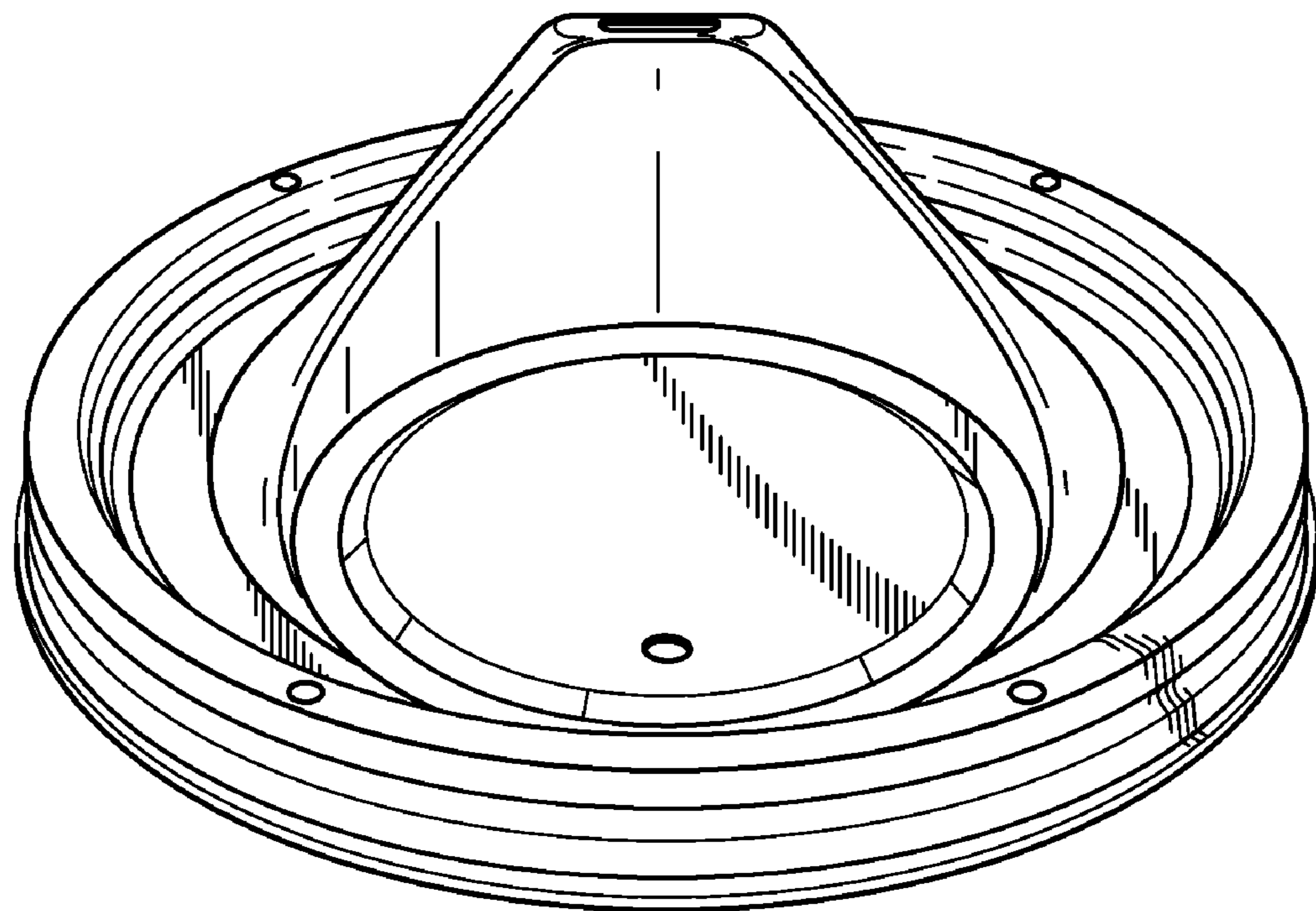


FIG. 3

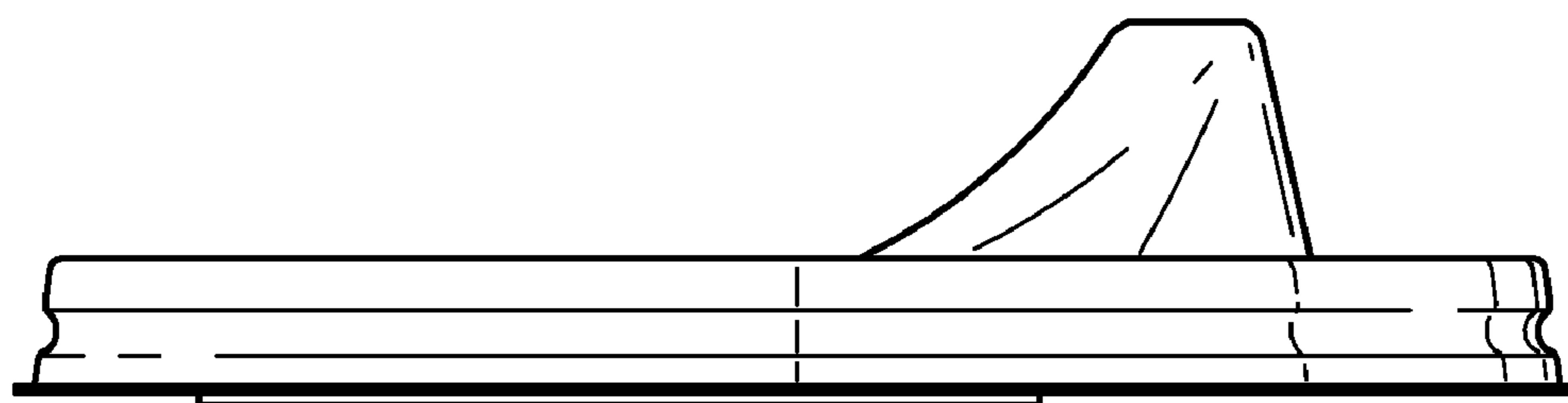
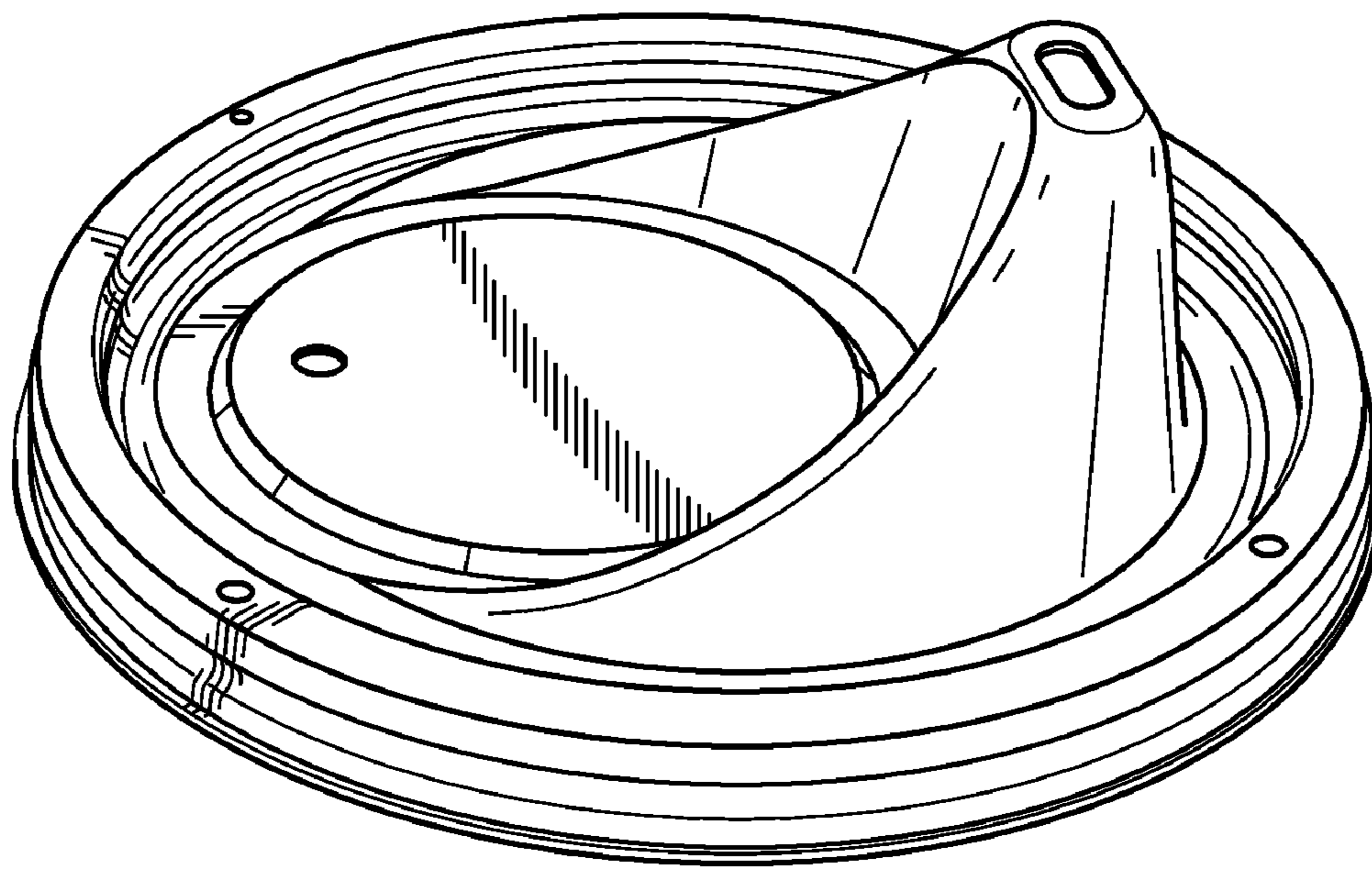


FIG. 4

FIG. 5

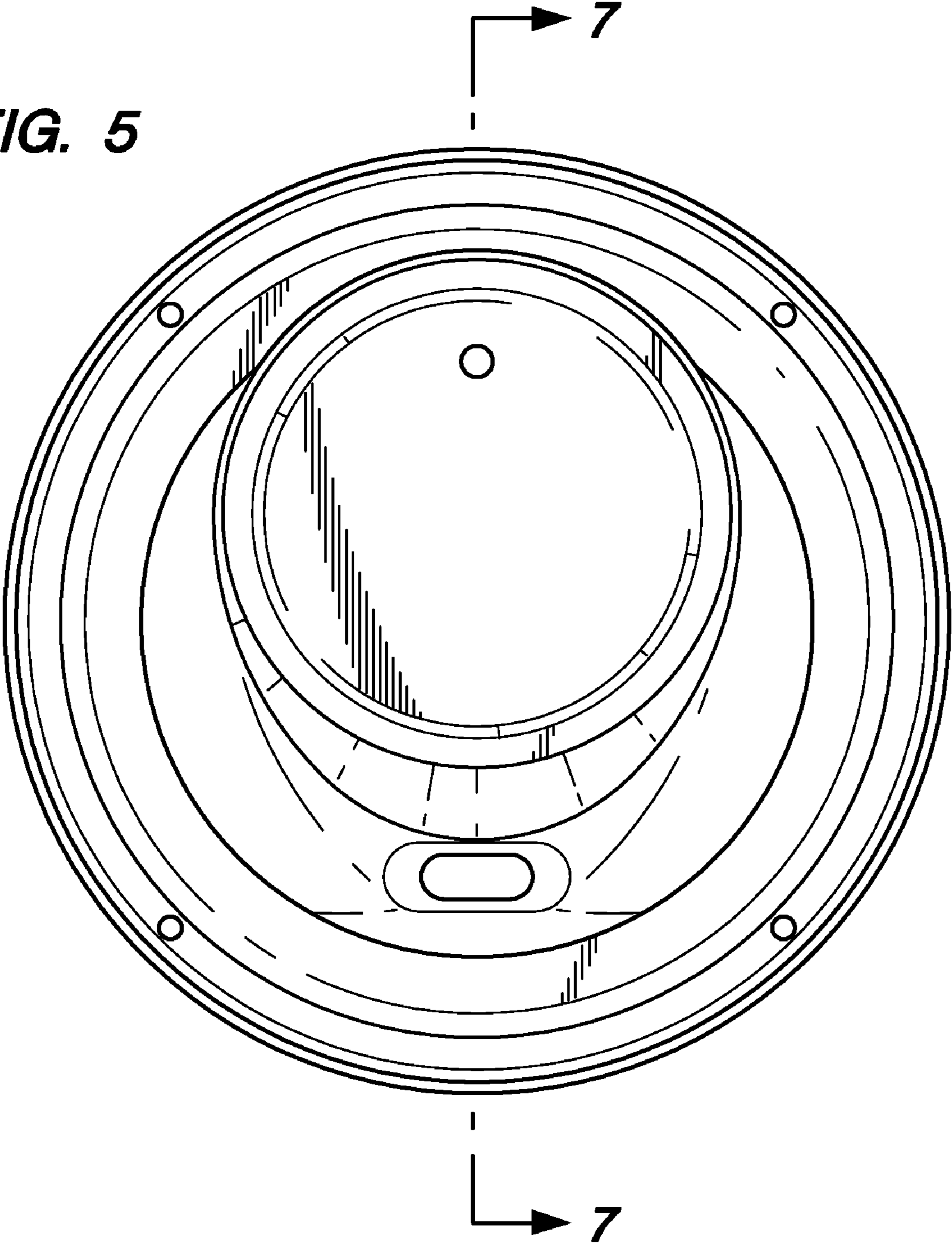


FIG. 6

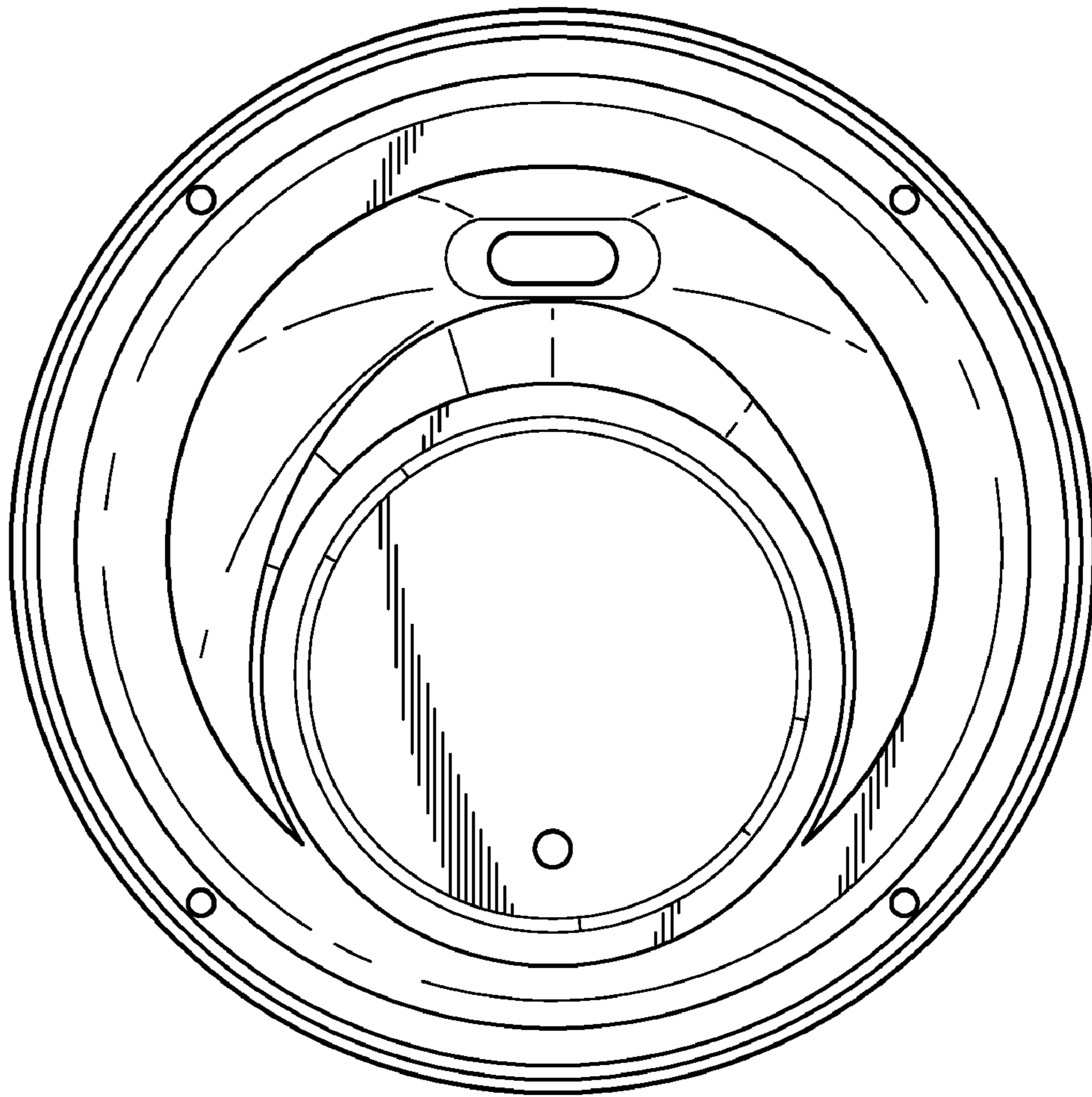


FIG. 7

