



US00D631344S

(12) **United States Design Patent**
Michitsuji et al.

(10) **Patent No.:** **US D631,344 S**
(45) **Date of Patent:** **** Jan. 25, 2011**

(54) **PUMP DISPENSER**

(75) Inventors: **Tomotaka Michitsuji**, Osaka (JP);
Manivannan Kandasamy, Kobe (JP)

(73) Assignee: **The Procter & Gamble Company**,
Cincinnati, OH (US)

(**) Term: **14 Years**

(21) Appl. No.: **29/315,691**

(22) Filed: **Jul. 15, 2009**

(51) **LOC (9) Cl.** **09-07**

(52) **U.S. Cl.** **D9/434; D9/448**

(58) **Field of Classification Search** D9/456,
D9/455, 448, 447, 445, 438, 434, 763, 772;
D7/605, 387, 213; D3/211, 207; D23/226;
40/307; 239/333, 331; 222/635, 631, 566,
222/321.9, 321.8, 321.7, 320, 251; 220/915,
220/269, 268, 258.5

See application file for complete search history.

(56) **References Cited**

U.S. PATENT DOCUMENTS

D253,398 S * 11/1979 Niemeyer et al. D9/448
D434,984 S * 12/2000 Wadsworth D9/448
D436,863 S * 1/2001 Wadsworth et al. D9/448
D438,113 S * 2/2001 Wadsworth D9/448
D438,468 S * 3/2001 Wadsworth D9/448
D438,798 S * 3/2001 Wadsworth D9/448
D441,654 S * 5/2001 Sayers D9/448
D452,822 S * 1/2002 Boshuizen et al. D9/448
D458,136 S * 6/2002 Bakic D9/448
D458,137 S * 6/2002 Bakic D9/448

D574,707 S * 8/2008 Pietrowski et al. D9/448
D588,006 S * 3/2009 Boes et al. D9/448
D598,750 S * 8/2009 Boes et al. D9/448
D600,554 S * 9/2009 Toh et al. D9/448
2005/0236423 A1 10/2005 VanGordon

FOREIGN PATENT DOCUMENTS

EP 1 208 916 B1 6/2004
JP 10165853 A2 6/1998
WO WO 00/04998 A1 2/2000

* cited by examiner

Primary Examiner—Susan Bennett Hattan
(74) *Attorney, Agent, or Firm*—Linda M. Sivik

(57) **CLAIM**

The ornamental design for pump dispenser, as shown and described.

DESCRIPTION

FIG. 1 is a perspective view of pump dispenser, embodying our new design;

FIG. 2 is a front view thereof;

FIG. 3 is a left side view thereof;

FIG. 4 is a right side view thereof;

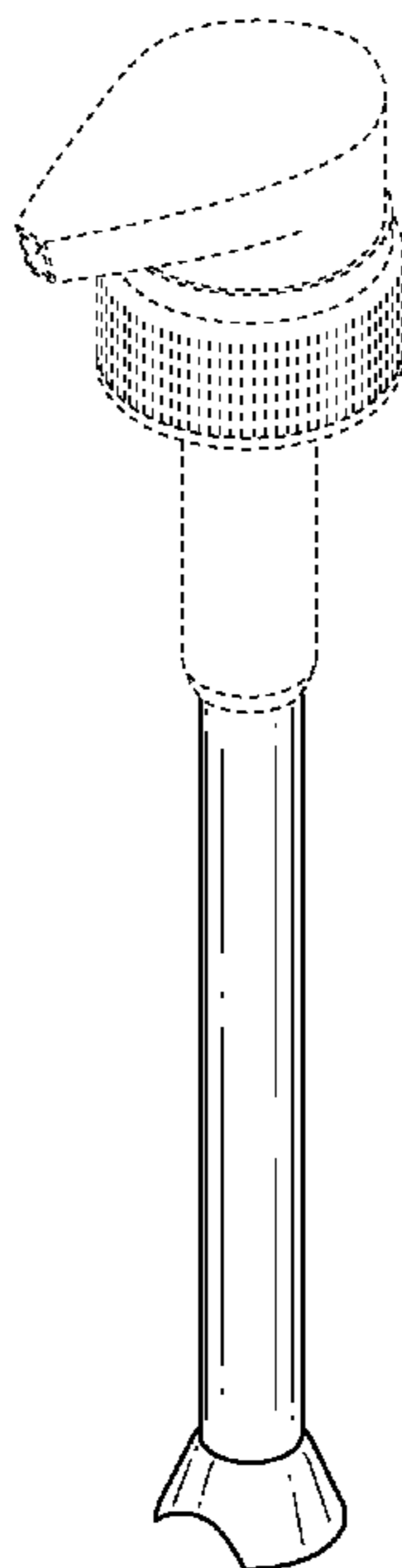
FIG. 5 is a top plan view thereof; and,

FIG. 6 is a bottom view thereof.

The broken lines shown in the drawings are for illustrative purposes only and form no part of the claimed design.

Back view is omitted because a back view is identical to a front view.

1 Claim, 4 Drawing Sheets



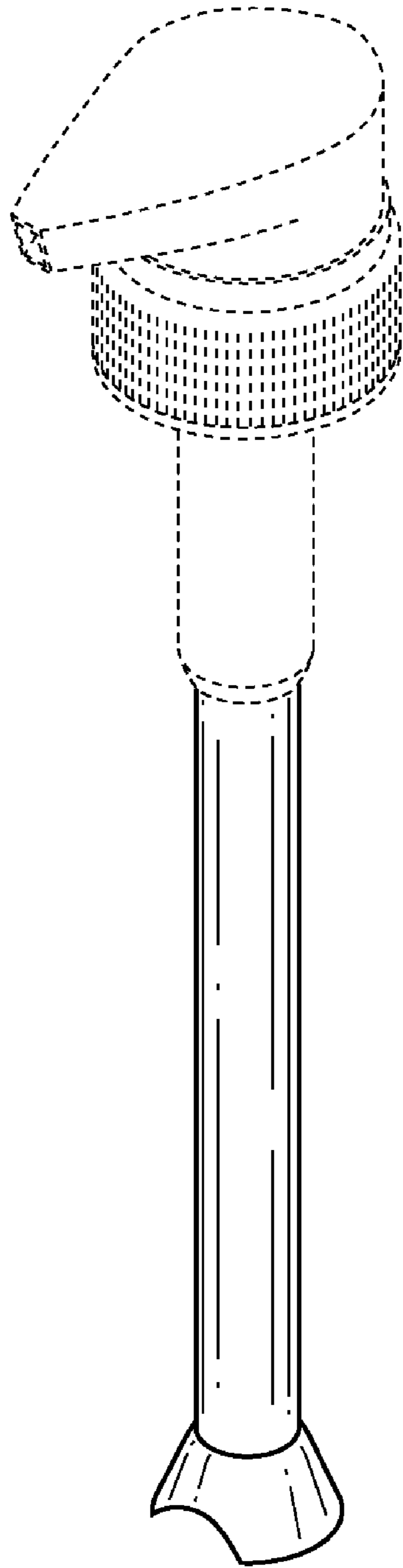


Fig. 1

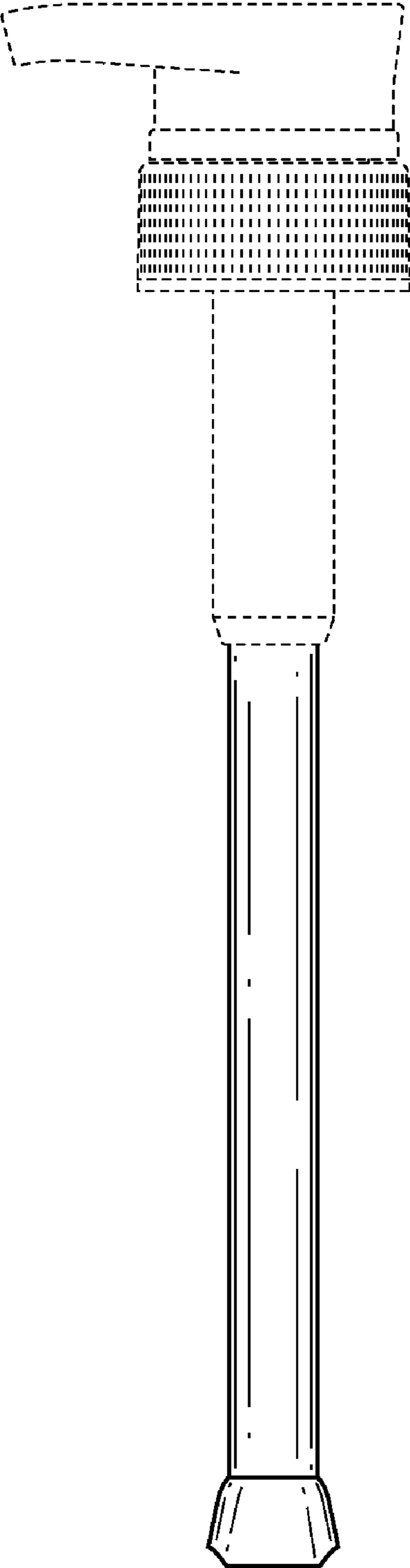


Fig. 2

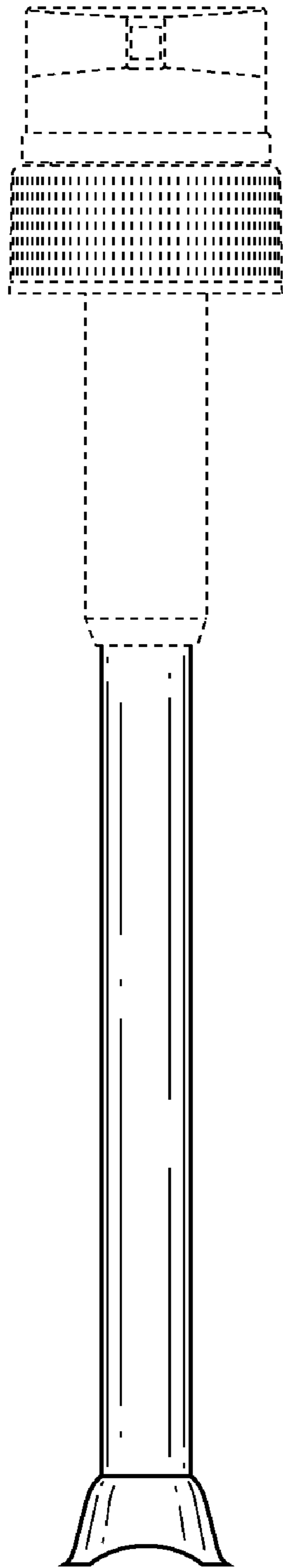


Fig. 3

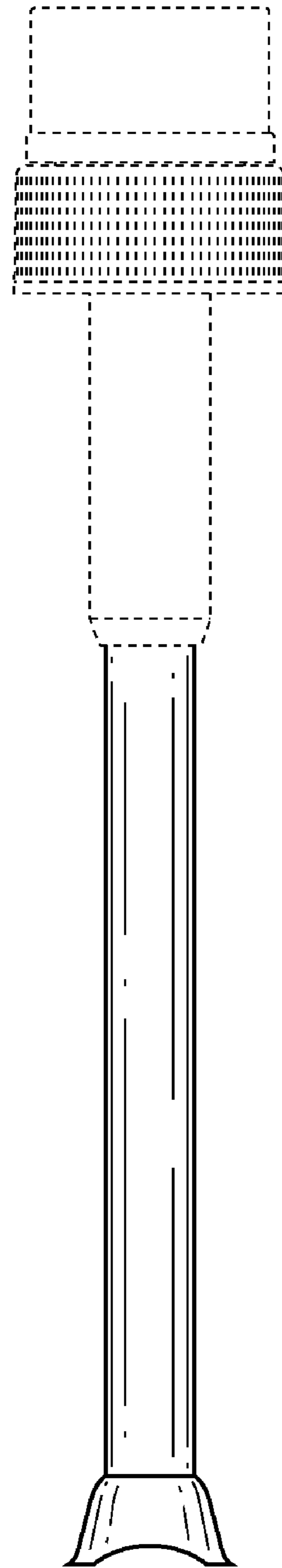


Fig. 4

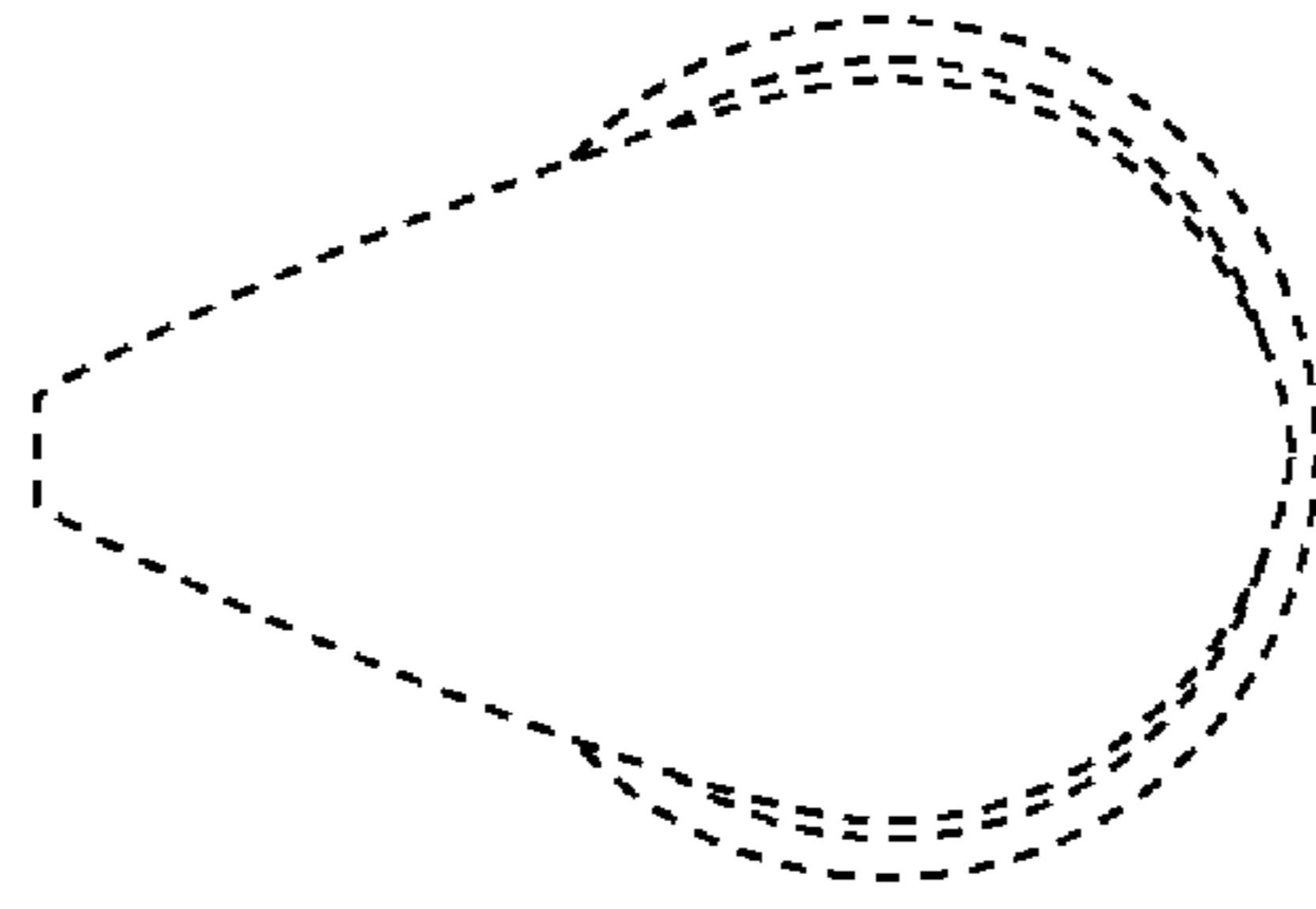


Fig. 5

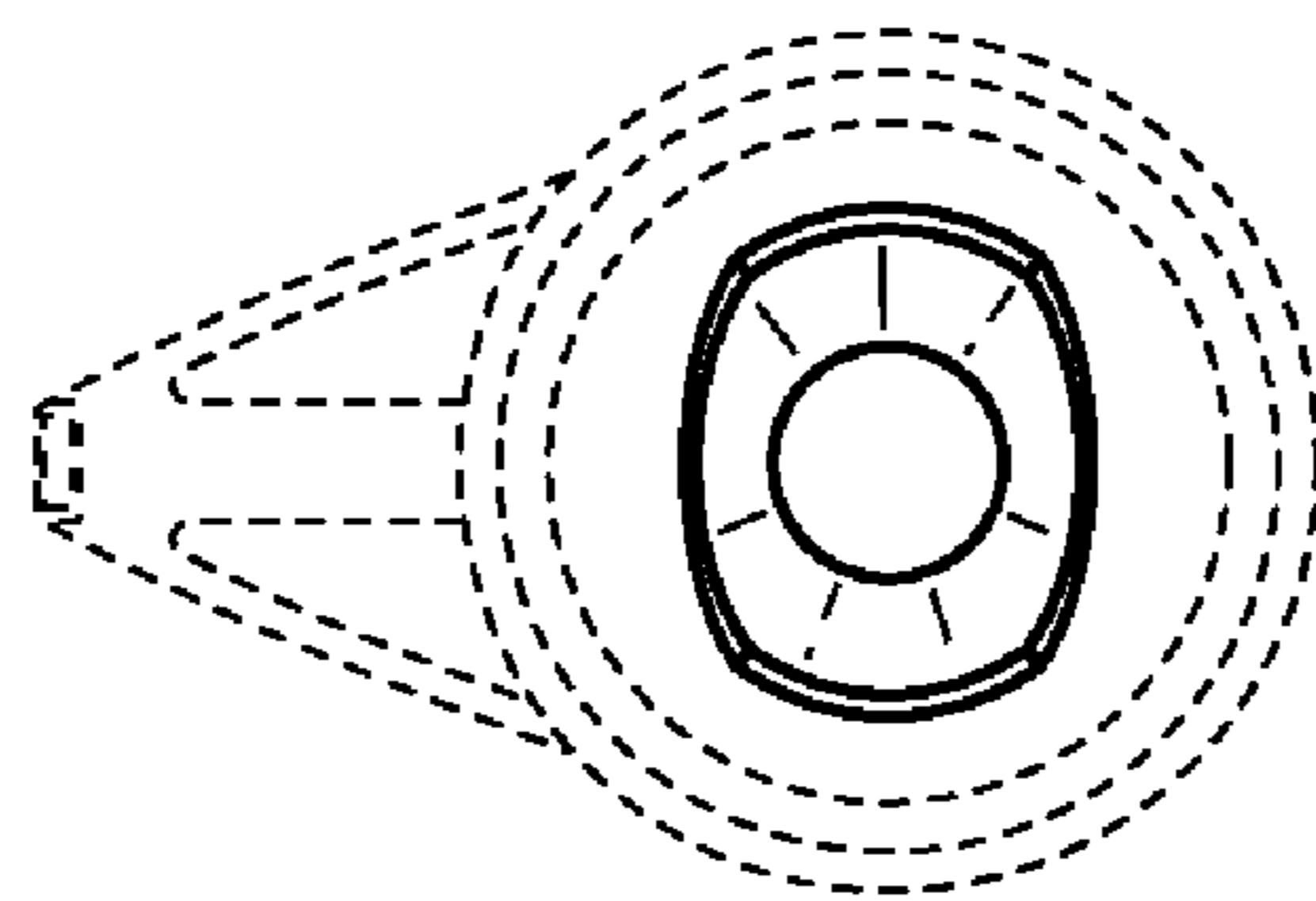


Fig. 6