



US00D631343S

(12) **United States Design Patent**
Blunck

(10) **Patent No.:** **US D631,343 S**
(45) **Date of Patent:** **** Jan. 25, 2011**

(54) **CAN ORGANIZER**

7,690,518 B2 * 4/2010 Fincher et al. 211/59.2

(76) Inventor: **Karl Blunck**, P.O. Box 708802, Sandy,
UT (US) 84070

* cited by examiner

(**) Term: **14 Years**

Primary Examiner—Thomas J Johannes
(74) *Attorney, Agent, or Firm*—QuickPatents, Inc.; Kevin Prince

(21) Appl. No.: **29/363,375**

(22) Filed: **Jun. 8, 2010**

(57) **CLAIM**

(51) **LOC (9) Cl.** **09-03**

(52) **U.S. Cl.** **D9/433; D9/733**

(58) **Field of Classification Search** D9/729–734,
D9/414, 418, 420, 423, 432, 451; 206/554,
206/309, 494, 497, 499, 409, 820; 229/6 R,
229/175, 17 R, 132, 23 BT

See application file for complete search history.

What is claimed is the ornamental design for a can organizer,
as shown and described.

DESCRIPTION

(56) **References Cited**

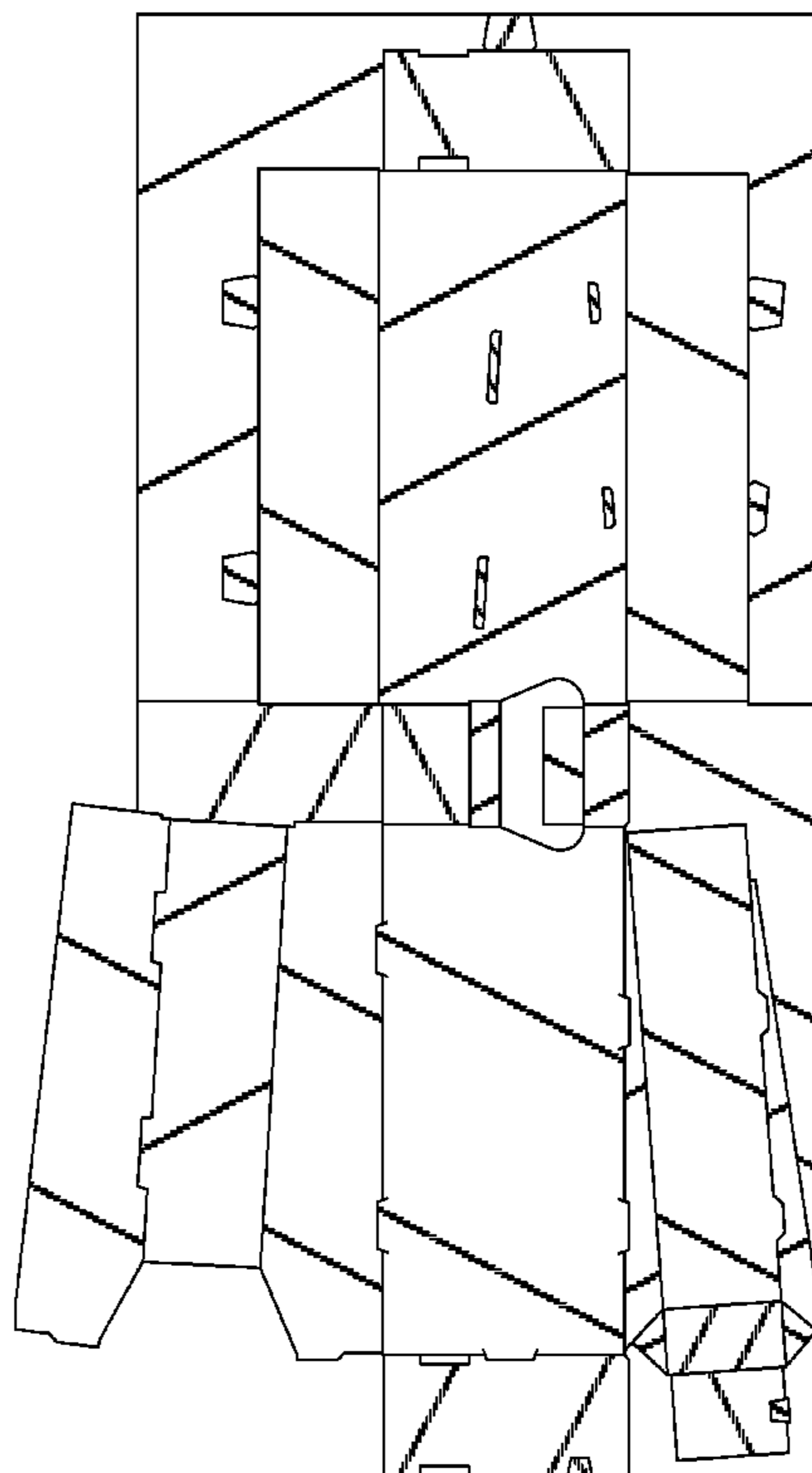
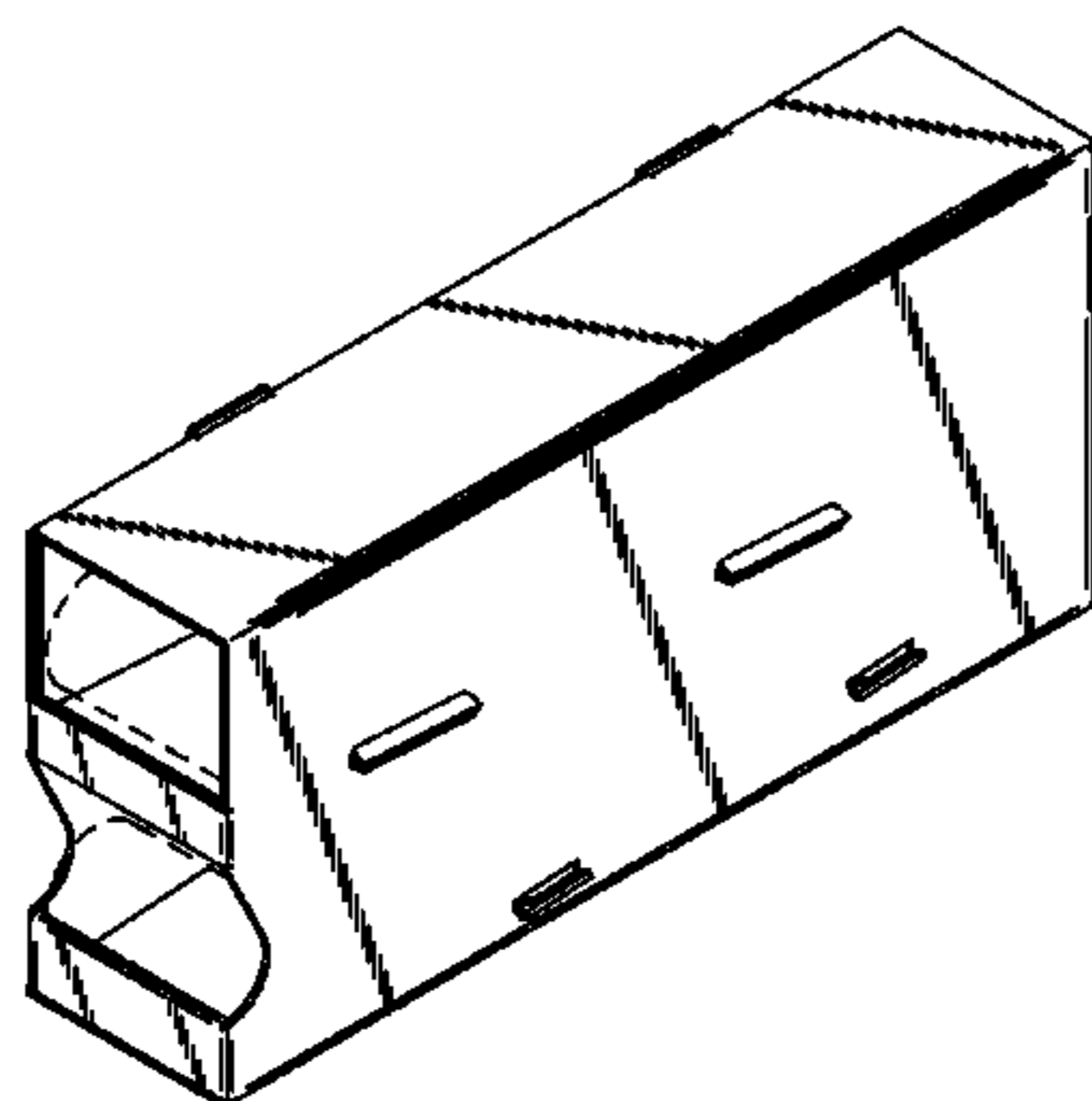
U.S. PATENT DOCUMENTS

2,022,721	A *	12/1935	Hompe	206/45.29
2,364,231	A *	12/1944	MacNeill	312/72
3,178,242	A *	4/1965	Ellis et al.	312/45
4,245,771	A *	1/1981	Christian	229/112
D342,420	S *	12/1993	Ienna	D6/517
5,289,943	A *	3/1994	Powell	221/67
D459,927	S *	7/2002	Flowers et al.	D6/517
6,637,604	B1 *	10/2003	Jay	211/59.2
D506,133	S *	6/2005	Goodfellow et al.	D9/433
7,086,578	B2 *	8/2006	Tallevi et al.	229/115
7,207,447	B2 *	4/2007	Medcalf et al.	211/59.2

FIG. 1 is a perspective view of a can organizer, showing my new design in an assembled and typical usage configuration; FIG. 2 is a front elevational view thereof; FIG. 3 is a rear elevational view thereof; FIG. 4 is a right-side elevational view thereof; FIG. 5 is a left-side elevational view thereof; FIG. 6 is a top plan view thereof; FIG. 7 is a bottom plan view thereof; and, FIG. 8 is a top plan view thereof, illustrated in a flat pre-folded configuration.

The broken lines showing unclaimed cans in FIG. 1 are included for the purpose of illustrating the invention in use, and form no part of the claimed design.

1 Claim, 3 Drawing Sheets



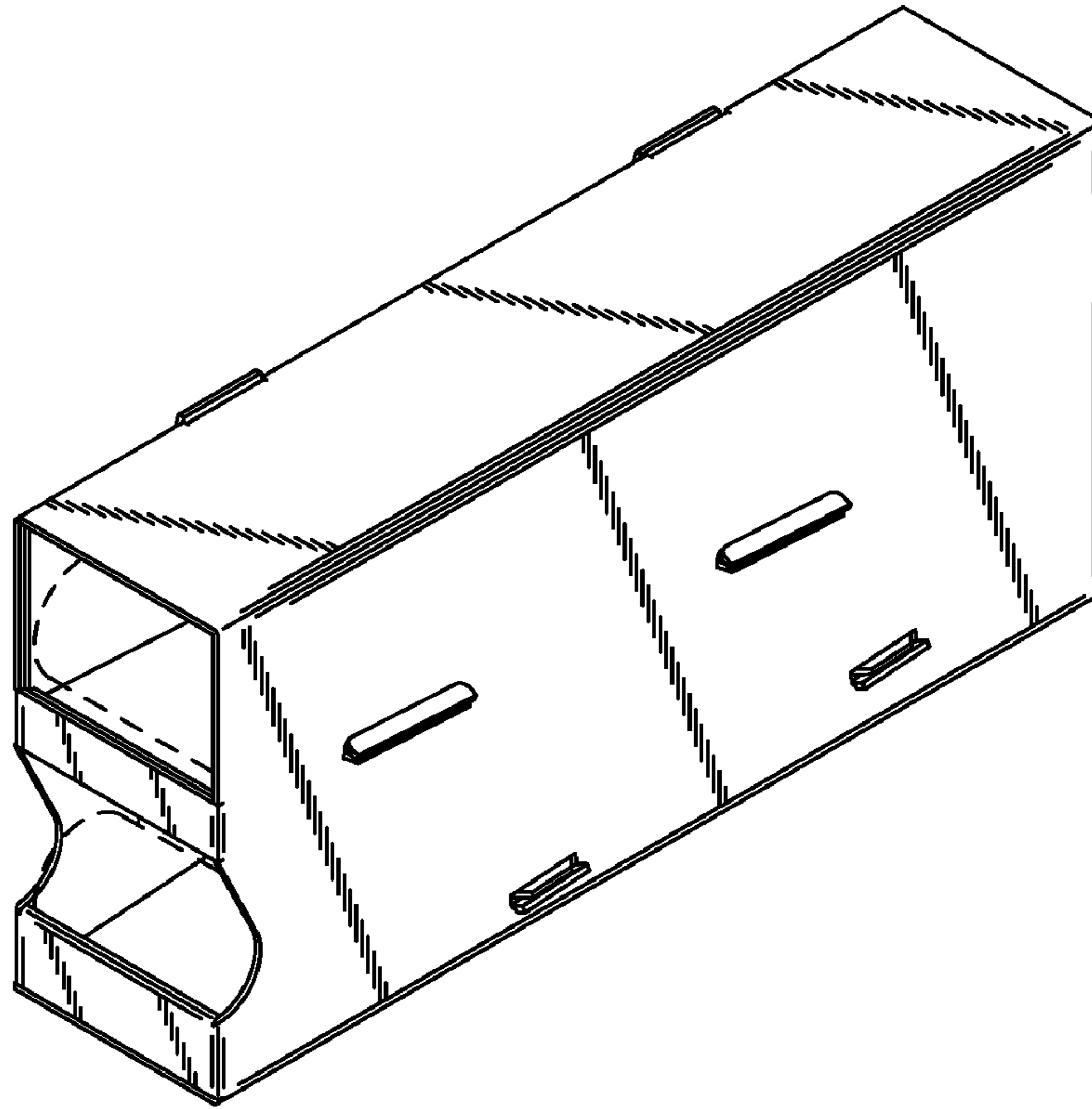


FIG. 1

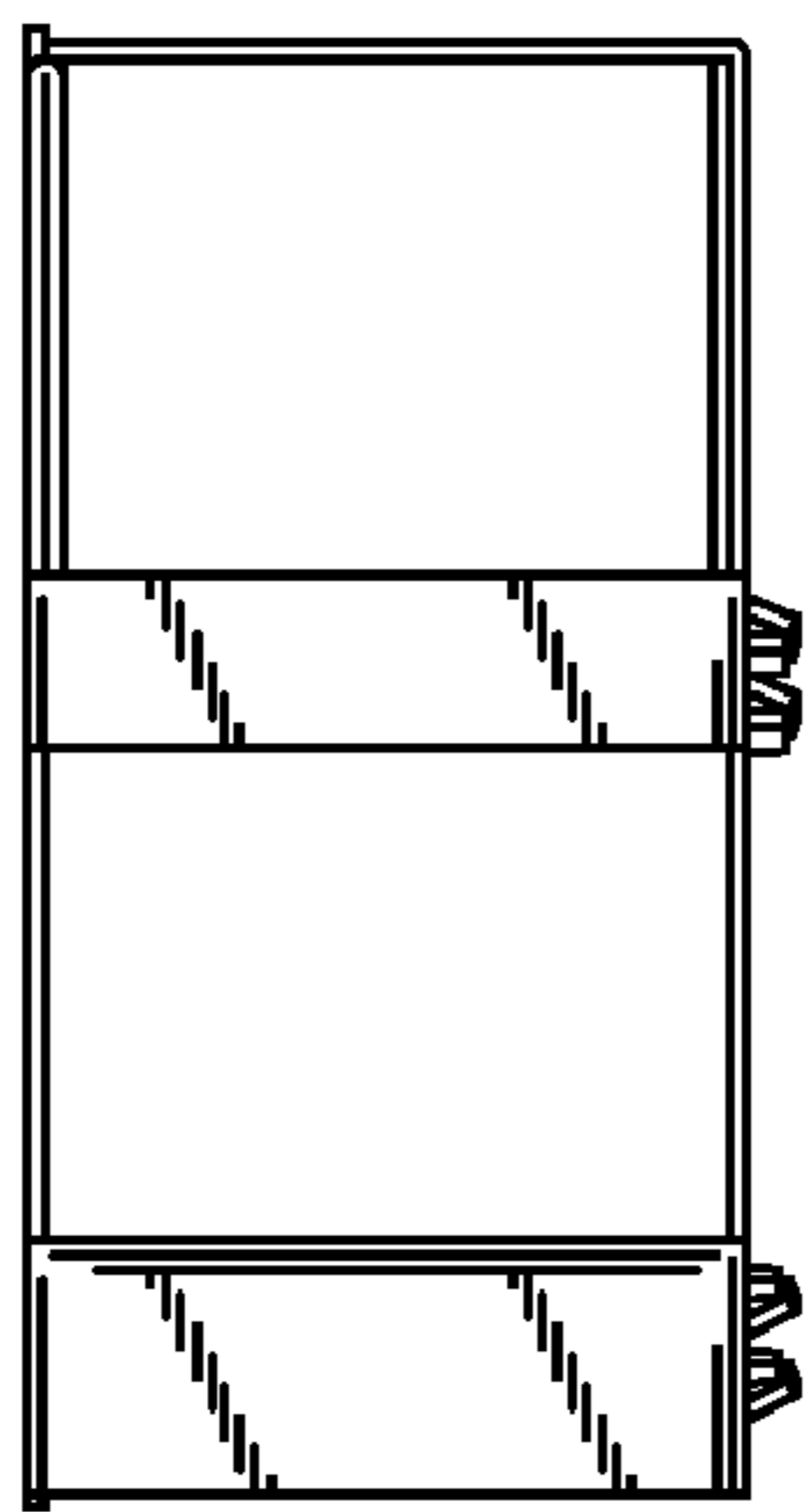


FIG. 2

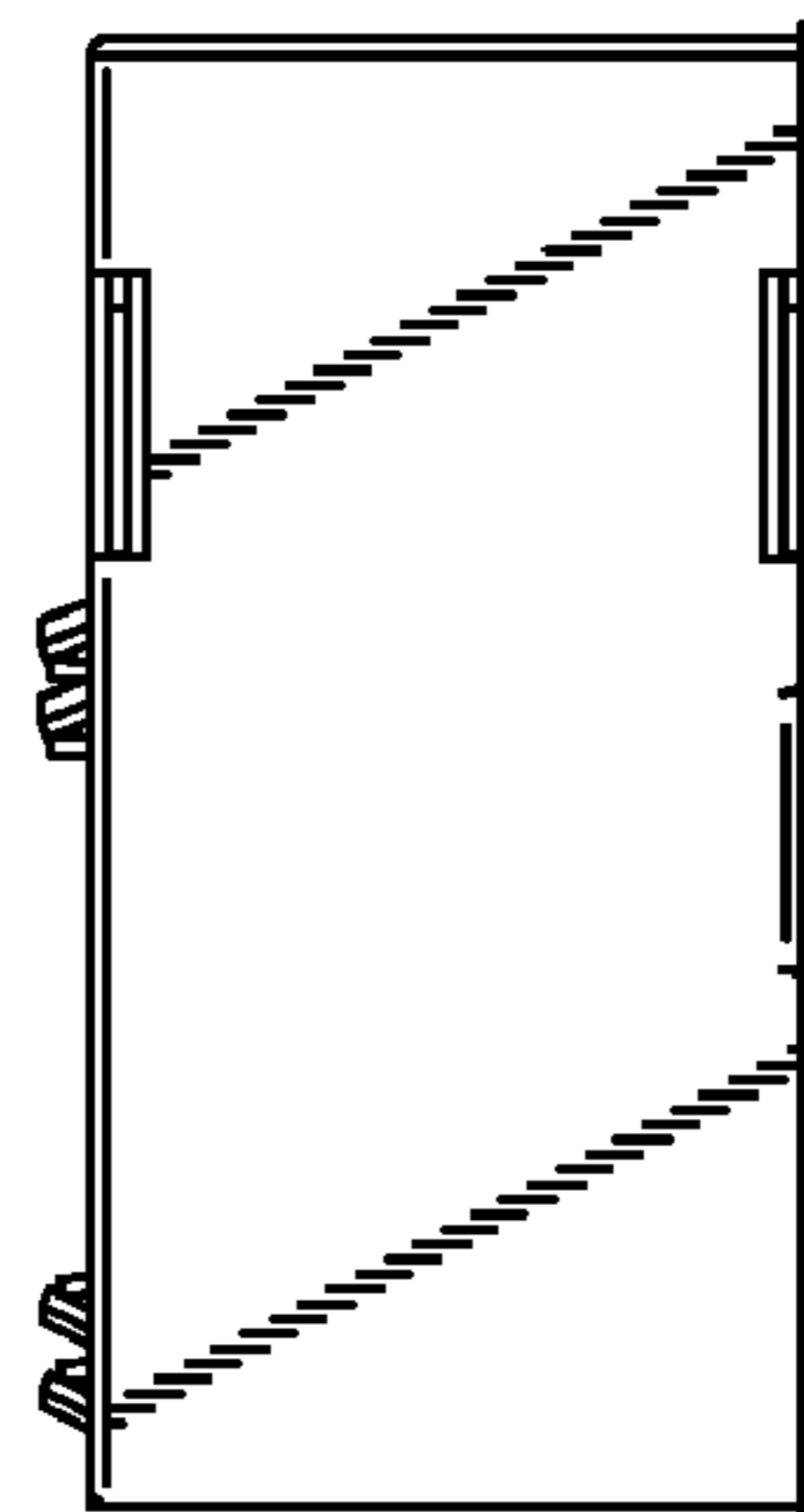


FIG. 3

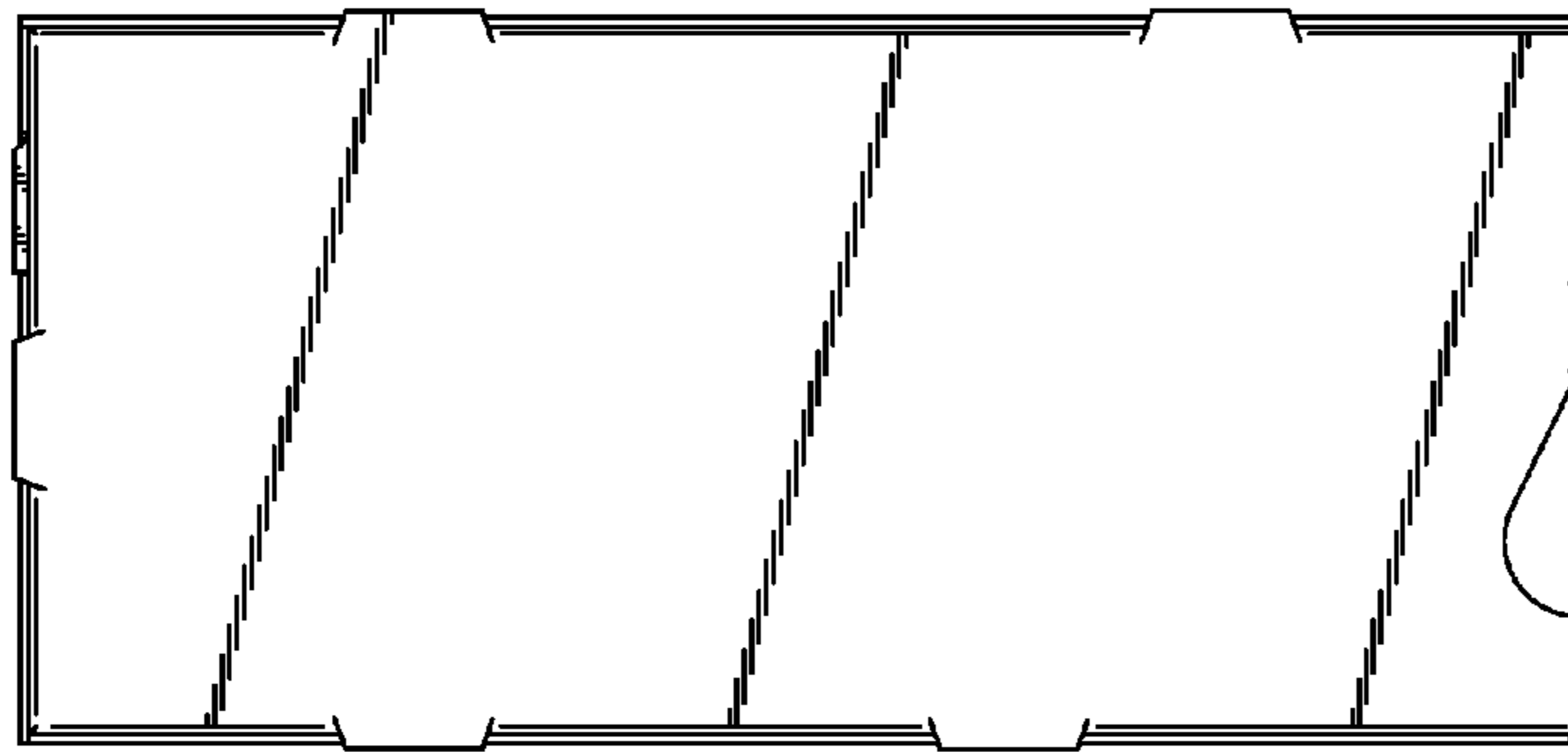


FIG. 4

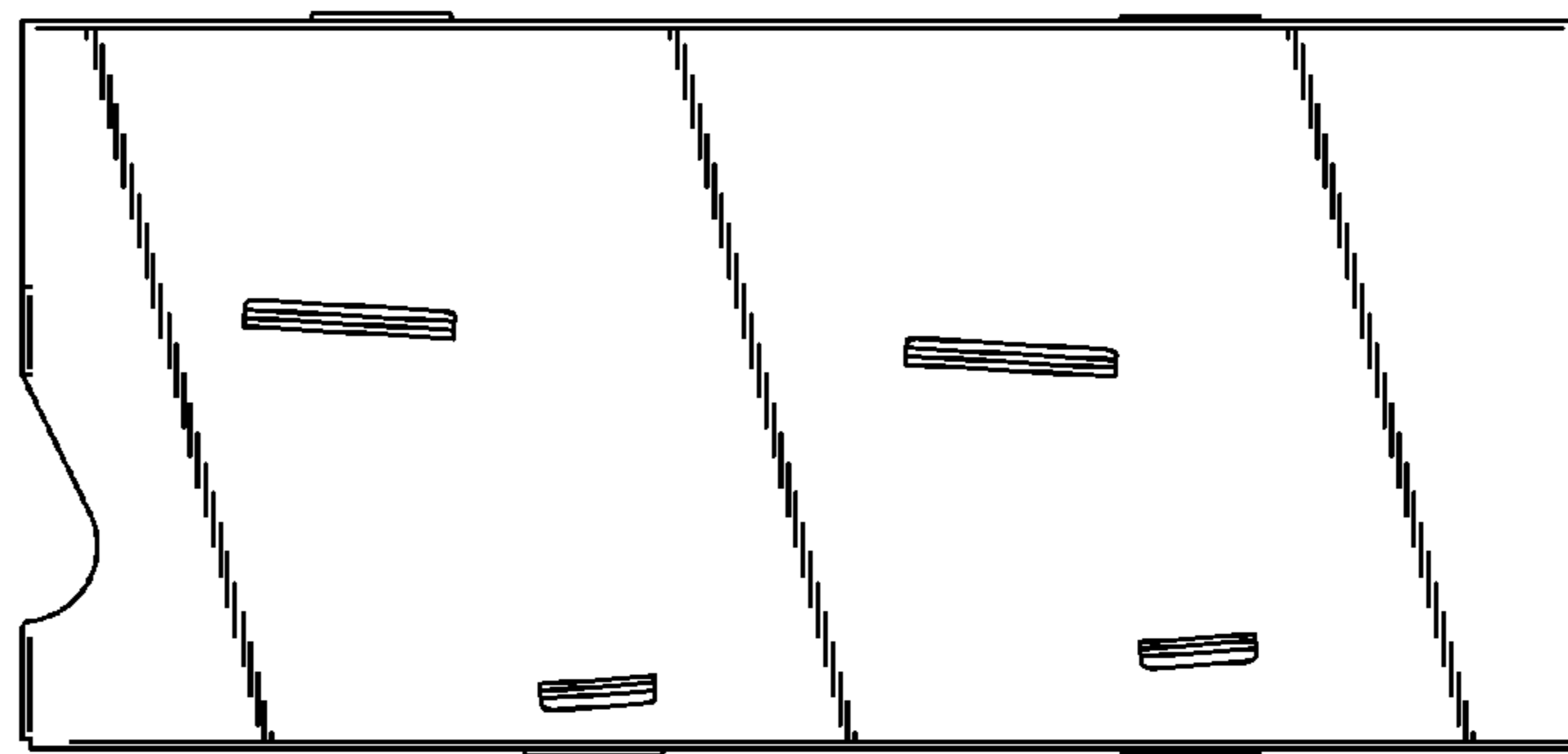


FIG. 5

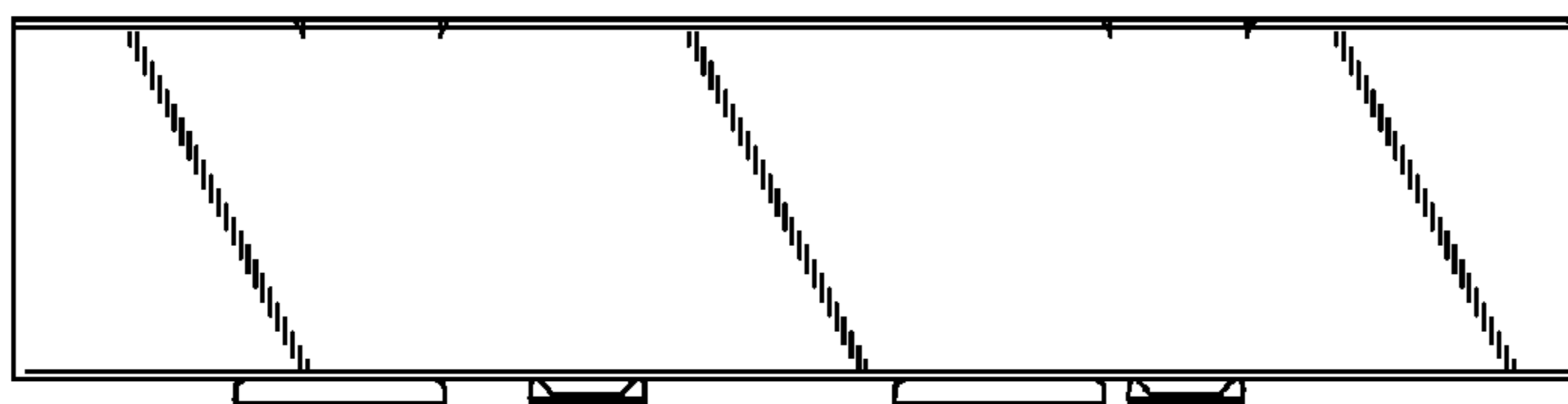


FIG. 6

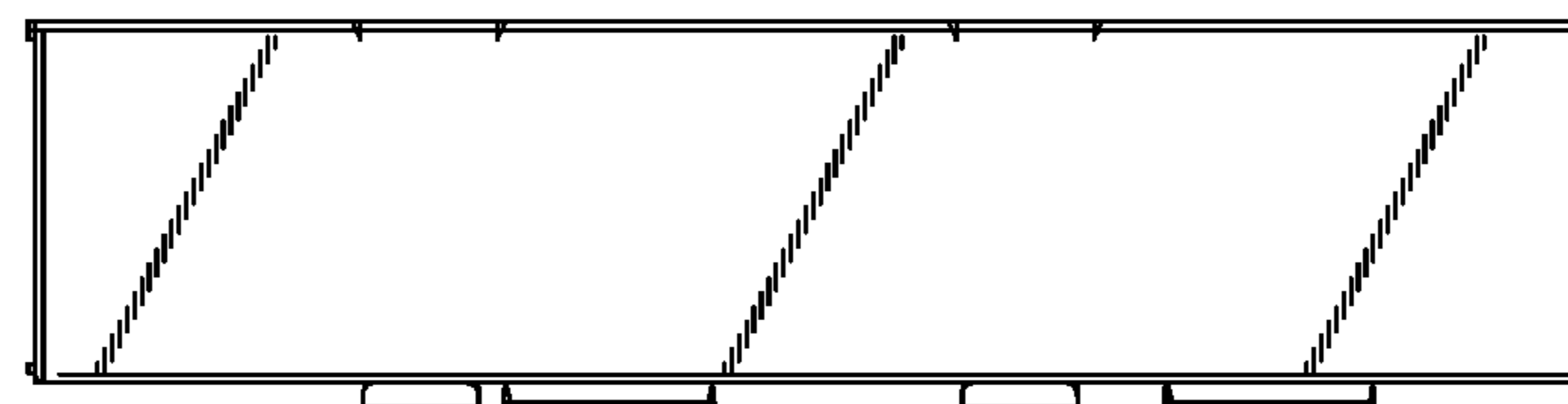


FIG. 7

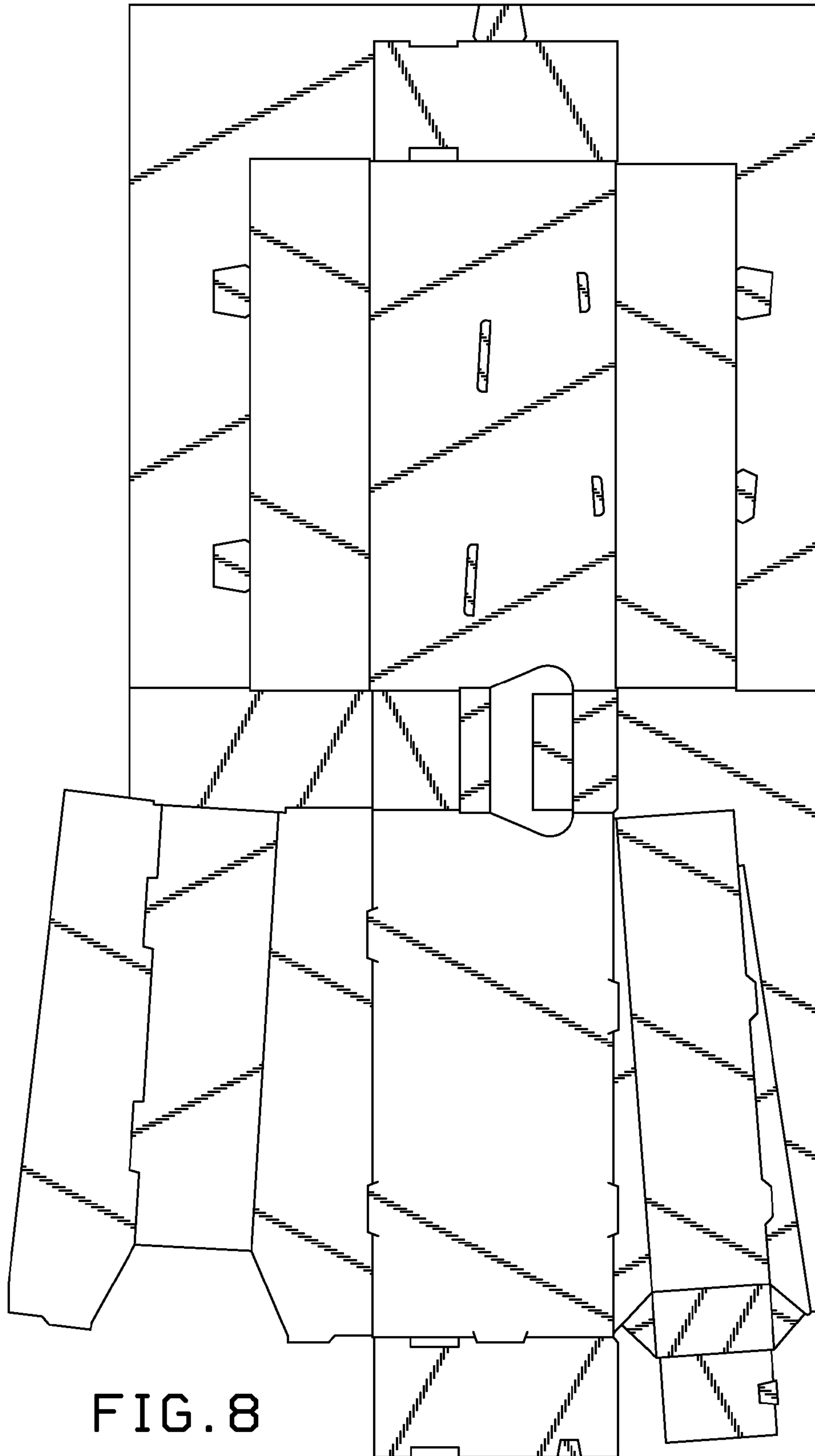


FIG. 8