

US00D631342S

(12) **United States Design Patent**
Hettwer

(10) **Patent No.:** **US D631,342 S**

(45) **Date of Patent:** **** Jan. 25, 2011**

(54) **TIERED CAKE SHAPED STRUCTURE TO CONCEAL A PERSON**

Primary Examiner—Thomas J Johannes
(74) *Attorney, Agent, or Firm*—Schwegman, Lundberg & Woessner, P.A.

(75) **Inventor:** **Kelly Marlene Hettwer**, 1834 N. Ham Lake Dr. NE., Ham Lake, MN (US) 55304

(57) **CLAIM**

The ornamental design for the tiered cake shaped structure to conceal a person, as shown and described.

(73) **Assignee:** **Kelly Marlene Hettwer**, Ham Lake, MN (US)

DESCRIPTION

(**) **Term:** **14 Years**

FIG. 1 is a perspective front view of a tiered cake shaped structure to conceal a person, showing my new design, in an assembled condition;

(21) **Appl. No.:** **29/356,861**

FIG. 2 is a front elevation view thereof;

(22) **Filed:** **Mar. 3, 2010**

FIG. 3 is a back elevation view thereof;

(51) **LOC (9) Cl.** **09-03**

FIG. 4 is a right side elevation view thereof;

(52) **U.S. Cl.** **D9/433**

FIG. 5 is a left side elevation view thereof;

(58) **Field of Classification Search** D9/329,
D9/307, 428, 429, 433; D1/129, 130; 206/457;
428/7; D7/610

FIG. 6 is a top plan view thereof;

See application file for complete search history.

FIG. 7 is a bottom plan view thereof;

(56) **References Cited**

FIG. 8 is a plan view of an unassembled top blank that forms a portion of the top tier of the cake shaped structure as shown in FIGS. 1-7;

U.S. PATENT DOCUMENTS

| | | | | | |
|-----------|------|---------|---------------|-------|-----------|
| 168,715 | A * | 10/1875 | Audsley | | 108/92 |
| 1,153,062 | A * | 9/1915 | Gourlay | | 211/55 |
| 2,697,294 | A * | 12/1954 | Zenker et al. | | 40/539 |
| 2,902,174 | A * | 9/1959 | Audsley | | 108/101 |
| 3,843,220 | A * | 10/1974 | Snider | | 312/204 |
| 4,069,772 | A * | 1/1978 | Haapala | | 108/94 |
| 4,184,602 | A * | 1/1980 | Moliard | | 220/4.26 |
| 4,461,790 | A * | 7/1984 | Snider | | 428/7 |
| 5,165,637 | A * | 11/1992 | Polley et al. | | 248/188.4 |
| D419,438 | S * | 1/2000 | Gardner | | D9/643 |
| 6,892,884 | B1 * | 5/2005 | Fernandez | | 206/494 |
| 7,021,465 | B1 * | 4/2006 | McGuigan | | 206/457 |

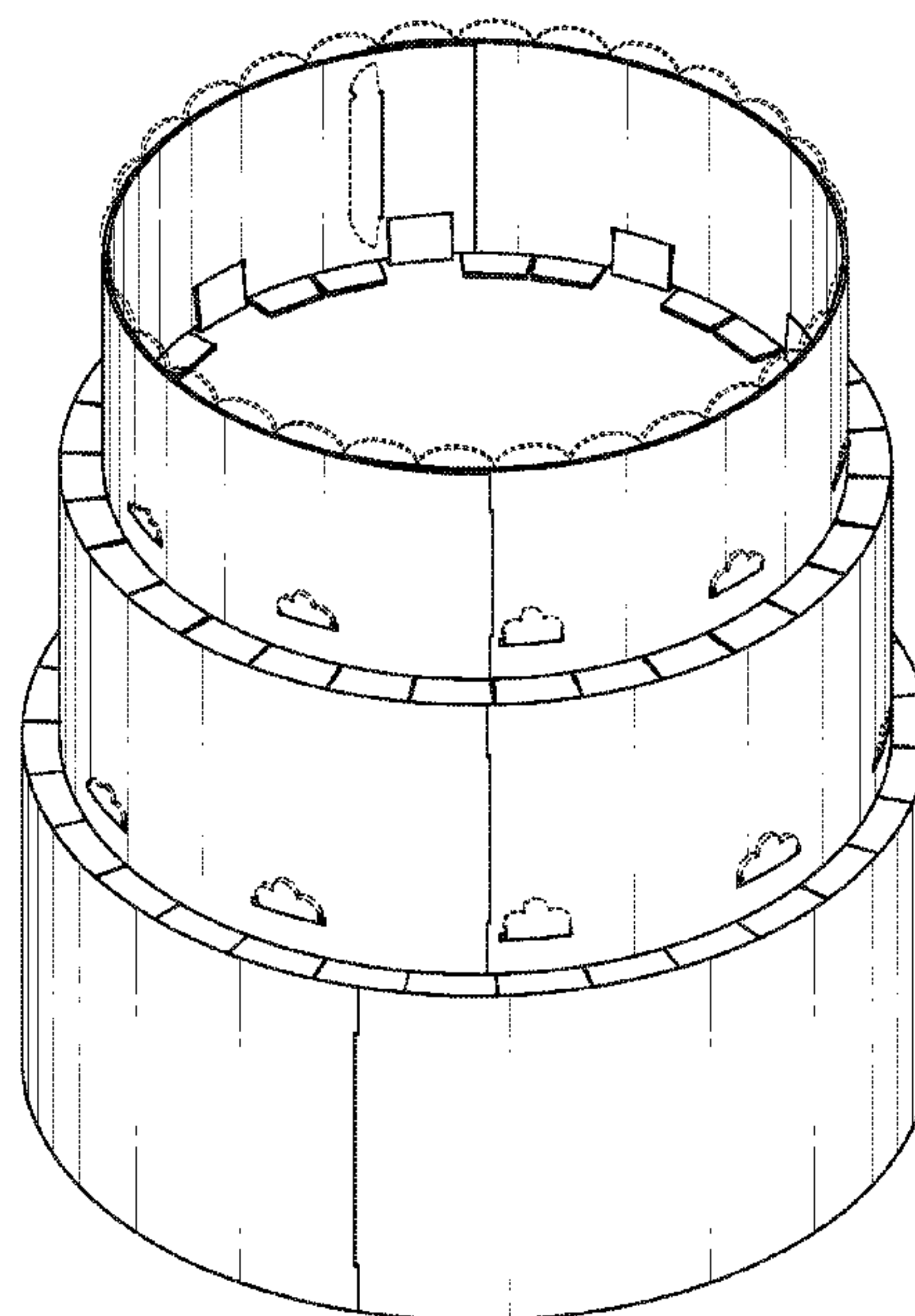
FIG. 9 is a plan view of an unassembled middle blank that forms a portion of the middle tier of the cake shaped structure as shown in FIGS. 1-7; and,

FIG. 10 is a plan view of an unassembled bottom blank that forms a portion of the bottom tier of the cake shaped structure as shown in FIGS. 1-7.

The lightweight broken line portion of the FIG. 8 shows unclaimed usage environment subject matter only and forms no part of the claimed design. The dot-dash style broken lines in FIGS. 8, 9, and 10 show claim boundaries only and form no part of the claimed design.

* cited by examiner

1 Claim, 10 Drawing Sheets



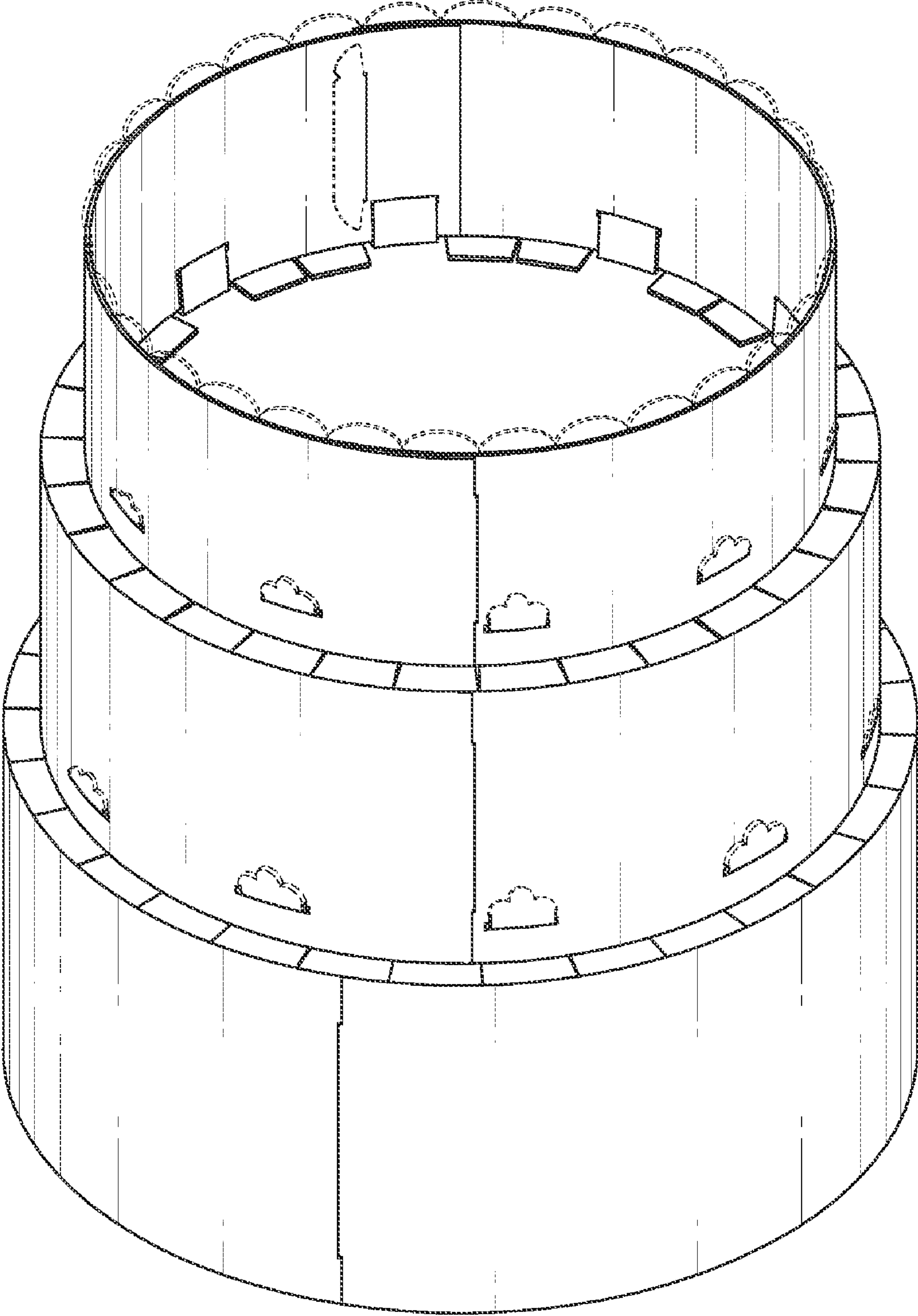


Fig. 1

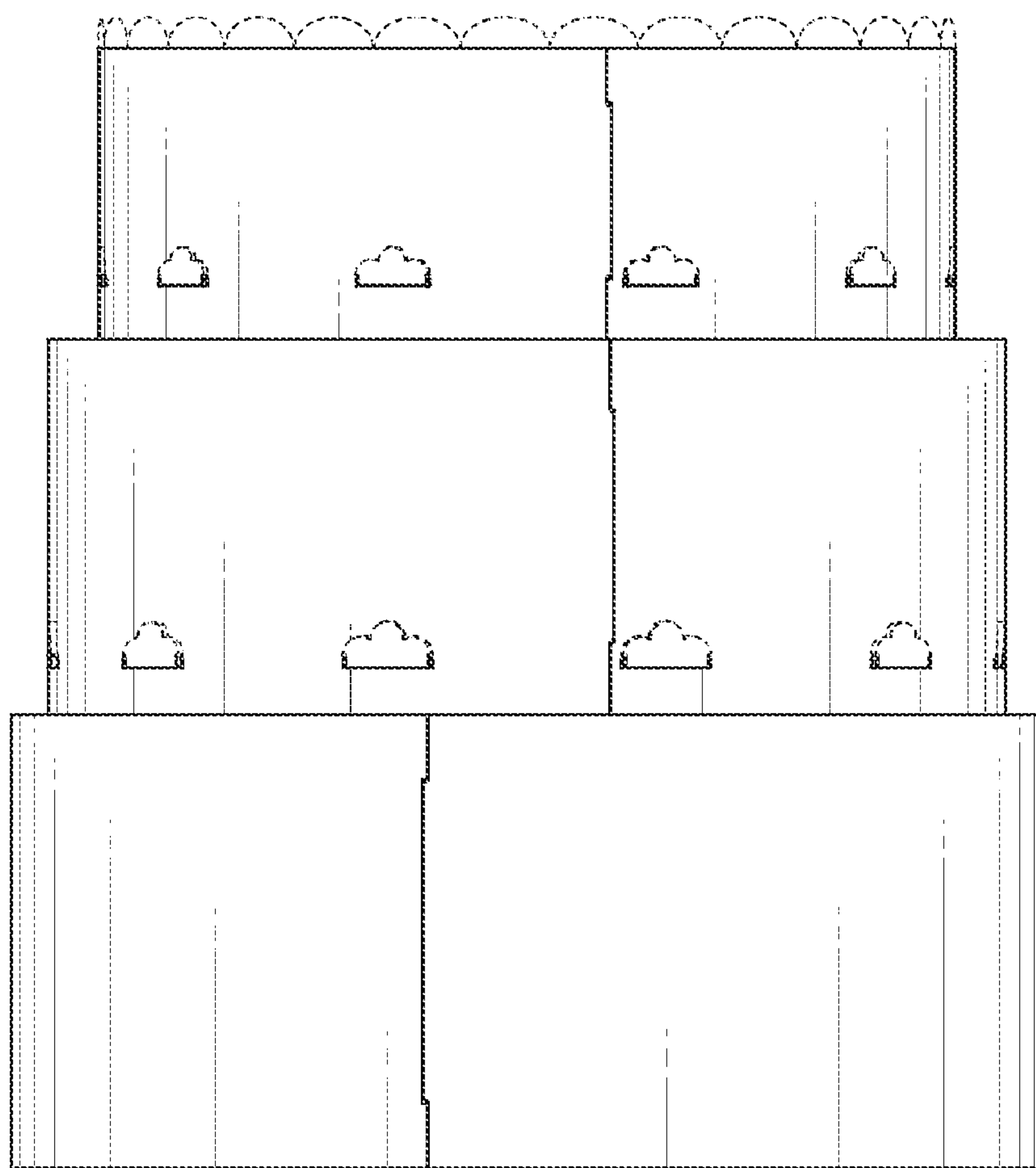


Fig. 2

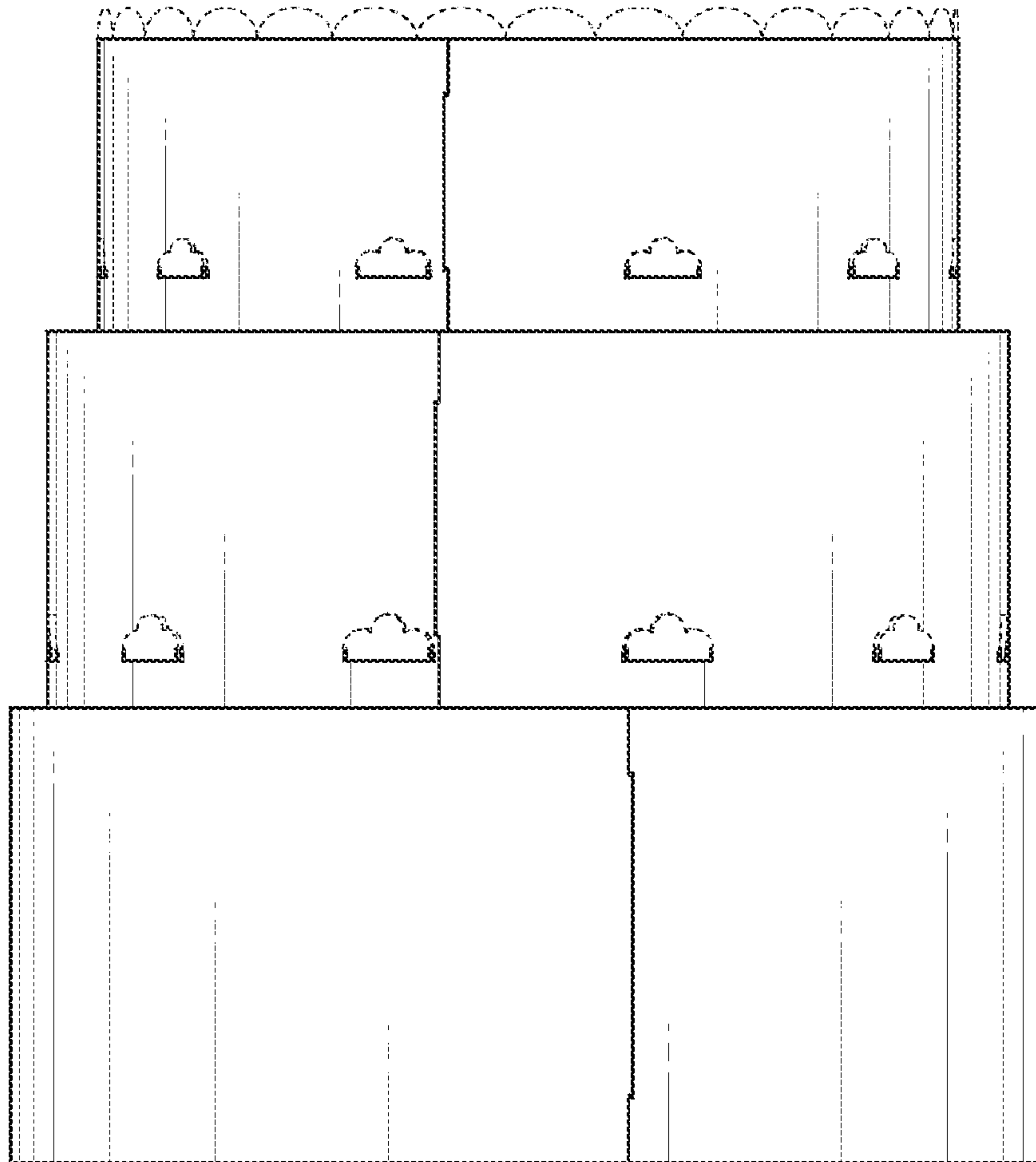


Fig. 3

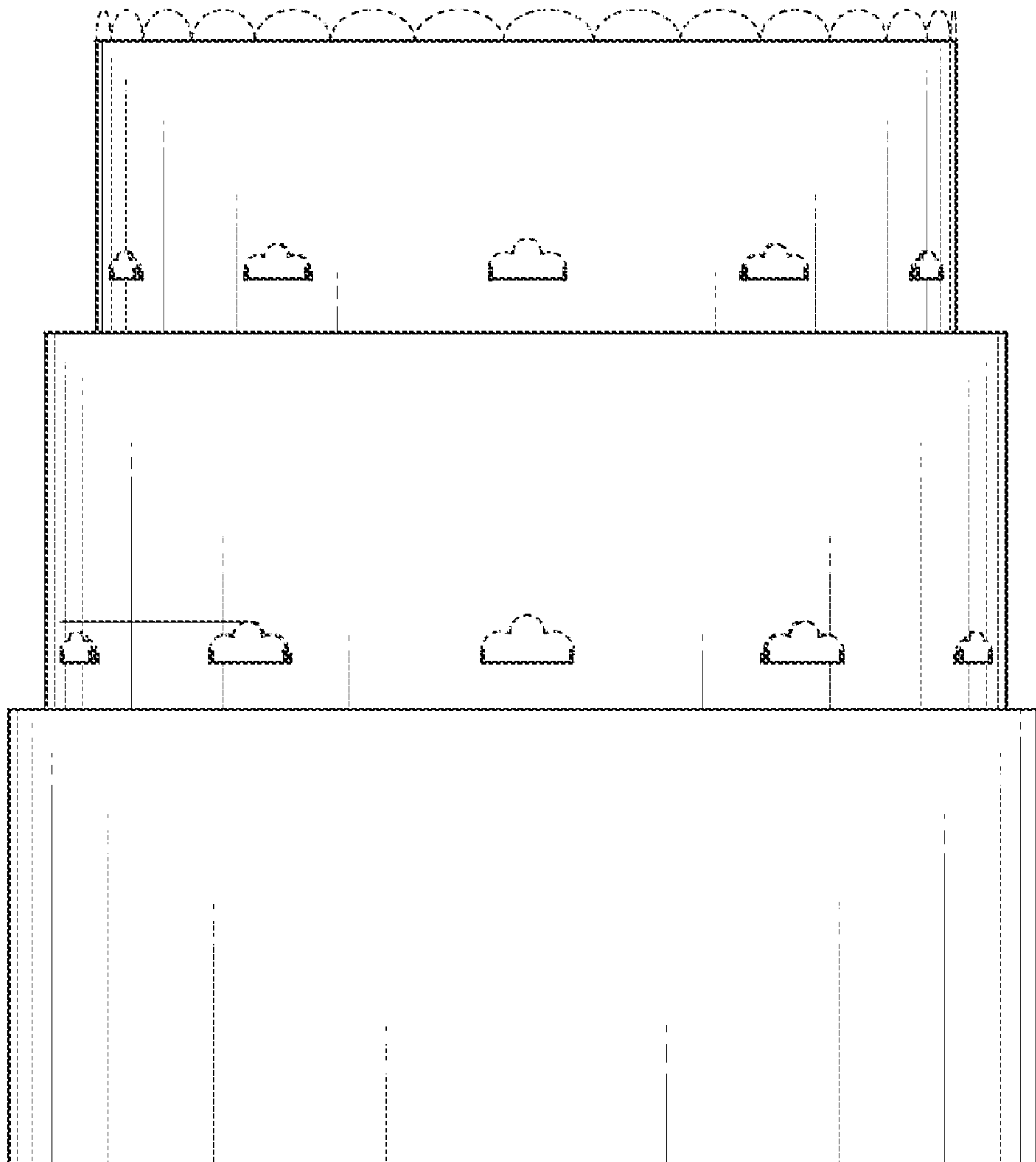


Fig. 4

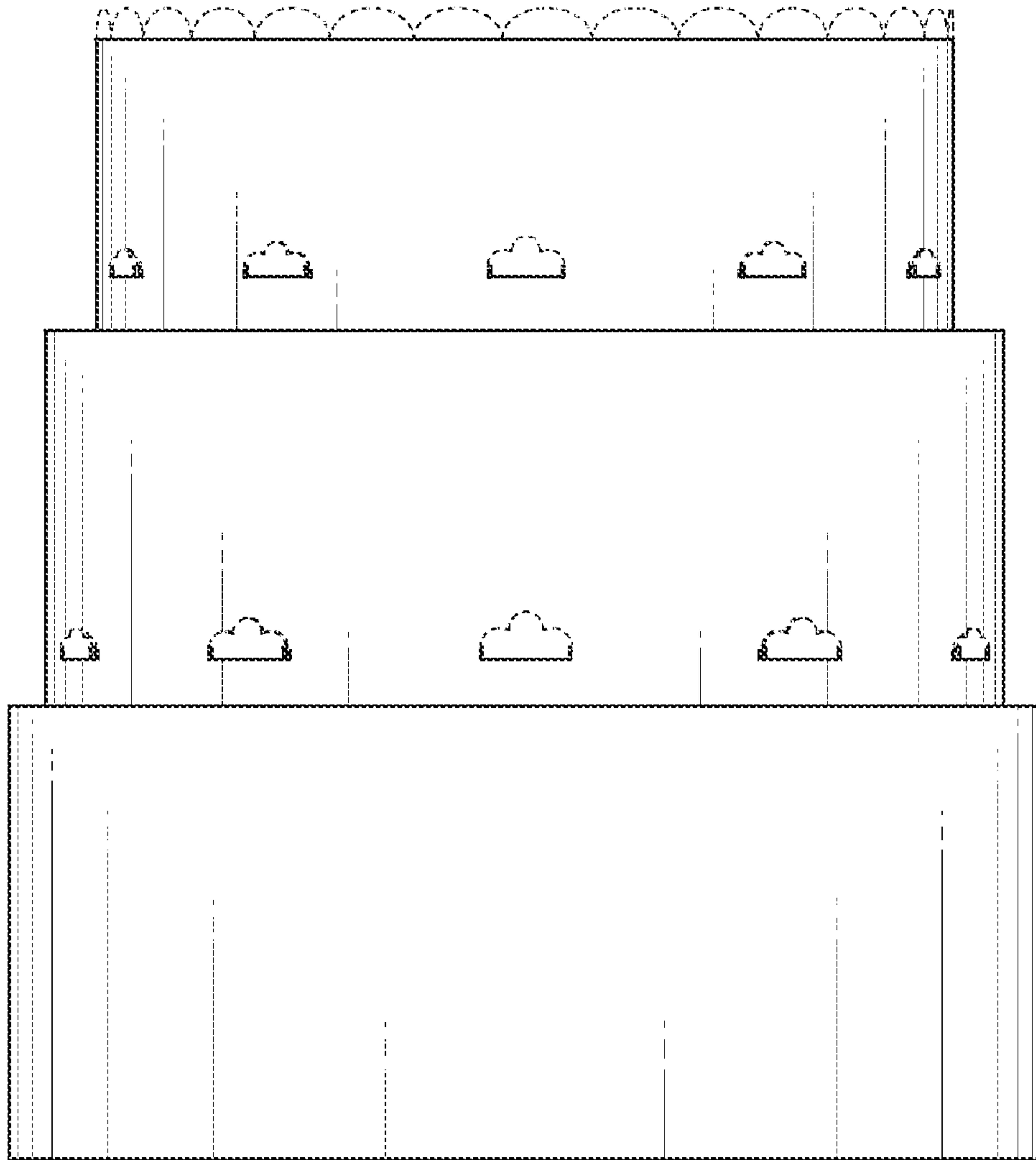


Fig. 5

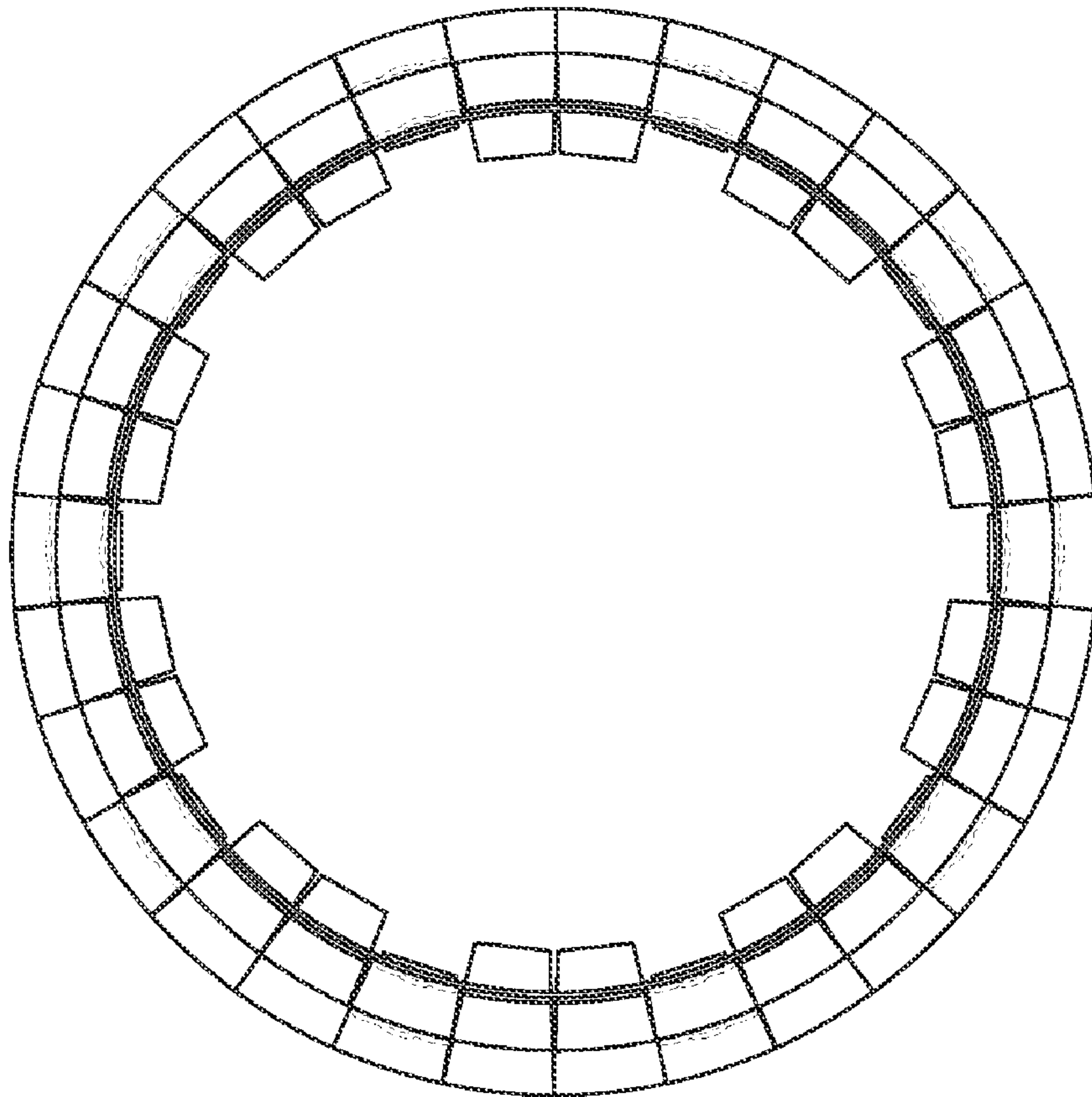


Fig. 6

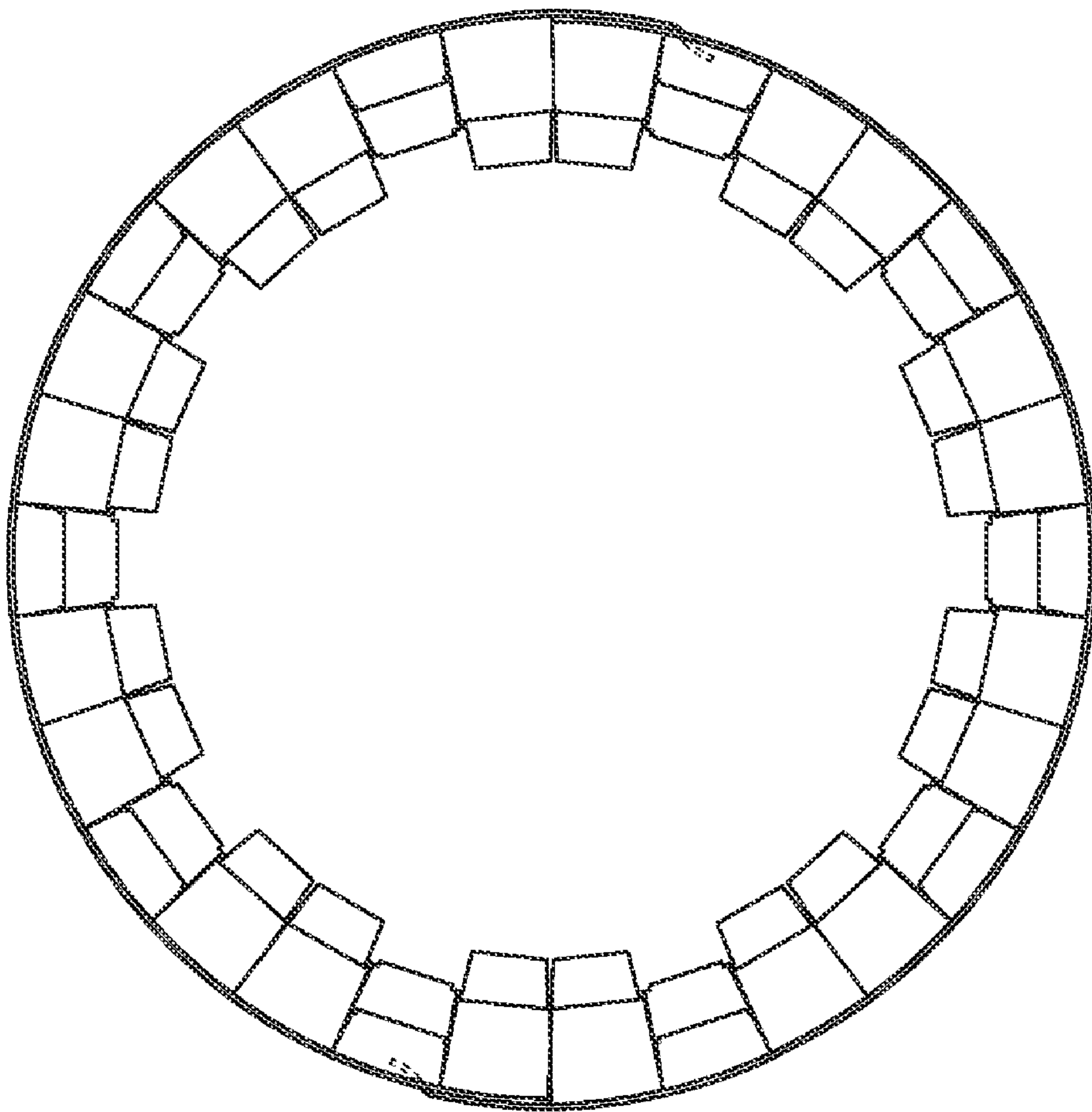


Fig. 7

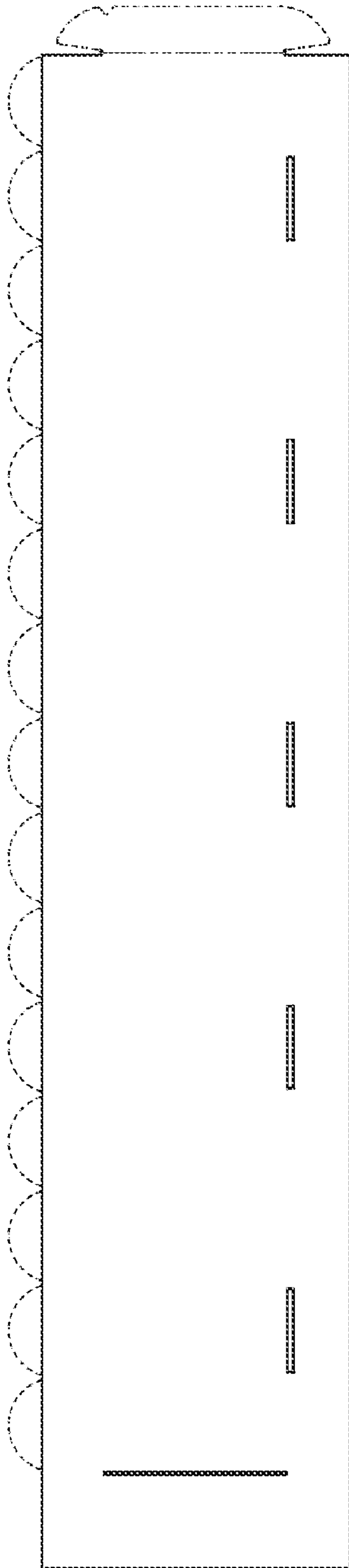


Fig. 8

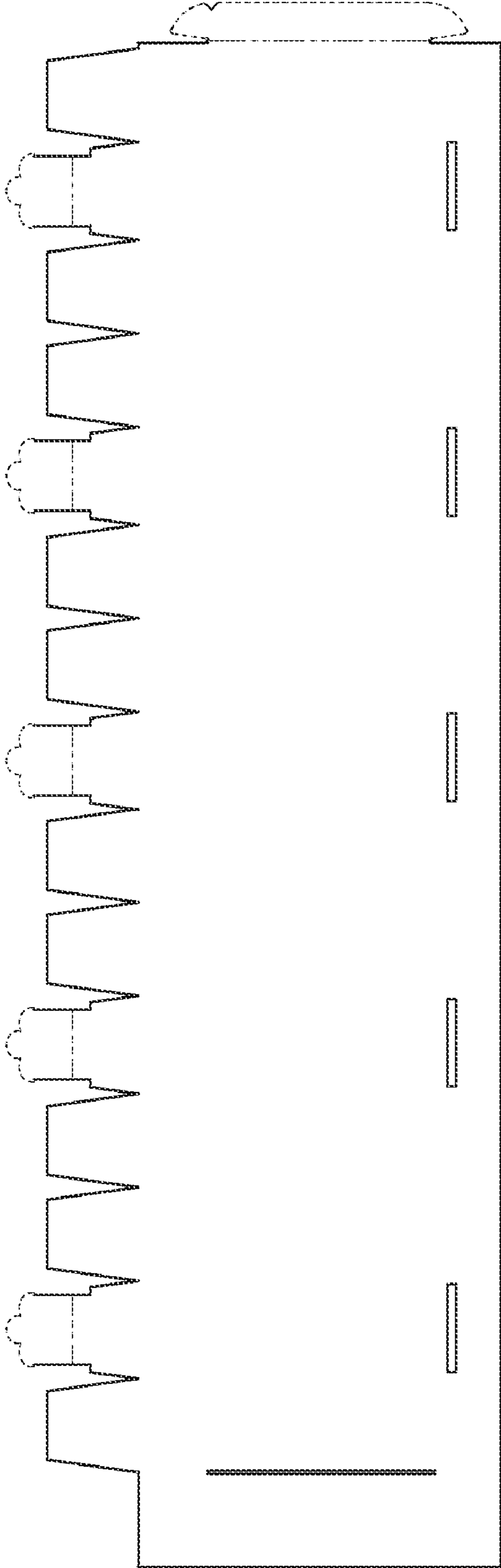


Fig. 9

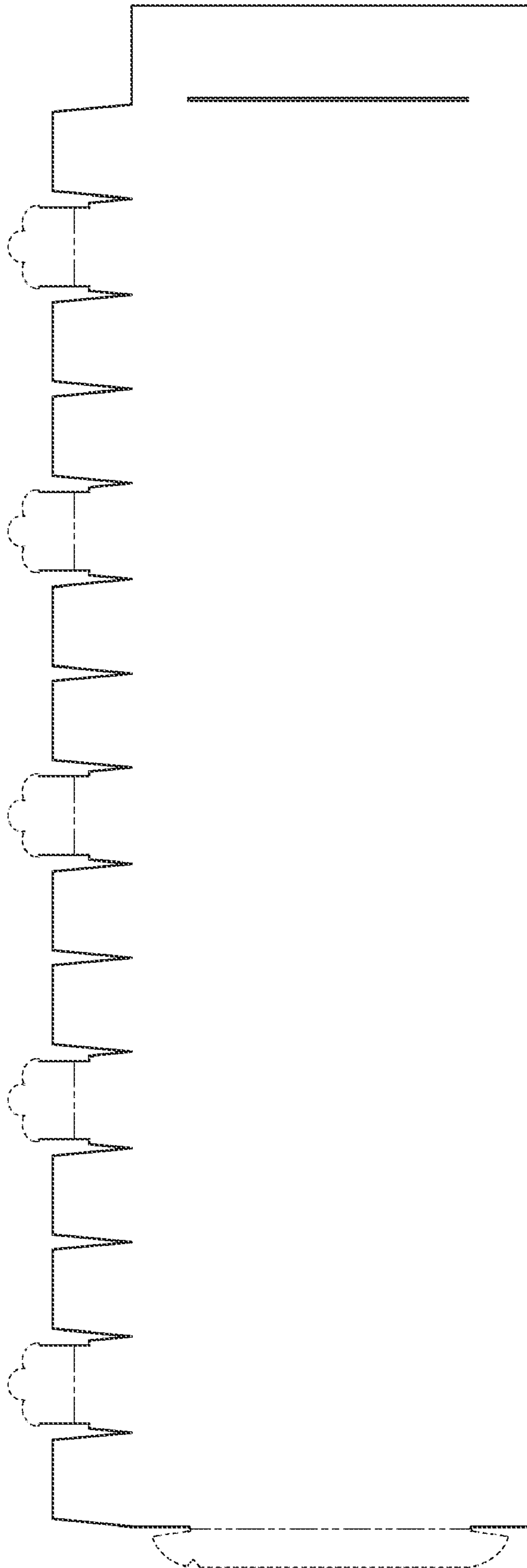


Fig. 10