



US00D631339S

(12) **United States Design Patent**
Golota et al.

(10) **Patent No.:** **US D631,339 S**

(45) **Date of Patent:** **** Jan. 25, 2011**

(54) **PACKAGE**

(75) Inventors: **George A. Golota**, Glenview, IL (US);
Michael A. Drozek, Palatine, IL (US)

(73) Assignee: **Clear Lam Packaging, Inc.**, Elk Grove
Village, IL (US)

(**) Term: **14 Years**

(21) Appl. No.: **29/352,636**

(22) Filed: **Dec. 23, 2009**

(51) **LOC (9) Cl.** **09-03**

(52) **U.S. Cl.** **D9/425**

(58) **Field of Classification Search** D9/414-415,
D9/418-419, 423-431, 730, 756-757; D7/504,
D7/538, 601, 604, 610, 612, 629, 709; D3/202,
D3/272-273, 328; 220/4.21-4.23, 266, 676,
220/780-781, 786, 789, 793; 206/351, 409,
206/411, 423, 445, 470, 486, 488, 490, 503-504,
206/509, 525, 557, 562, 765, 776; 221/191;
229/406, 407, 906, 915, 925

See application file for complete search history.

(56) **References Cited**

U.S. PATENT DOCUMENTS

2,767,831	A	*	10/1956	Brecht	206/423
D273,565	S	*	4/1984	Driskell et al.	D9/415
D310,462	S	*	9/1990	Schoen	D7/504
D324,497	S	*	3/1992	Denton	D9/432
D394,005	S	*	5/1998	Marijnissen	D9/416
D398,226	S	*	9/1998	Lai et al.	D9/418
D420,584	S	*	2/2000	Hopkins	D9/423
6,047,833	A	*	4/2000	Salomon	206/765
6,176,375	B1	*	1/2001	Truscello et al.	206/776
D440,042	S	*	4/2001	Holahan	D3/272
D463,277	S	*	9/2002	Yang	D9/428
D464,883	S	*	10/2002	Weinstein et al.	D9/430

D472,808	S	*	4/2003	Gelardi et al.	D9/428
D472,810	S	*	4/2003	Gelardi et al.	D9/428
D475,919	S	*	6/2003	Choffez	D9/432
D498,050	S	*	11/2004	Scribner	D3/273
D519,829	S	*	5/2006	Campo	D9/418
D553,488	S	*	10/2007	Pacheco	D9/418
D572,581	S	*	7/2008	Steele et al.	D9/418
D588,450	S	*	3/2009	Snedden et al.	D9/424
D605,035	S	*	12/2009	Altonen et al.	D9/432
D610,448	S	*	2/2010	Drozek et al.	D9/424

OTHER PUBLICATIONS

U.S. Appl. No. 29/339,265, filed Jun. 26, 2009, Drozek et al.
U.S. Appl. No. 29/339,267, filed Jun. 26, 2009, Drozek et al.
U.S. Appl. No. 29/352,629, filed Dec. 23, 2009, Golota et al.

* cited by examiner

Primary Examiner—Philip S Hyder
Assistant Examiner—Susan E Krakower

(57) **CLAIM**

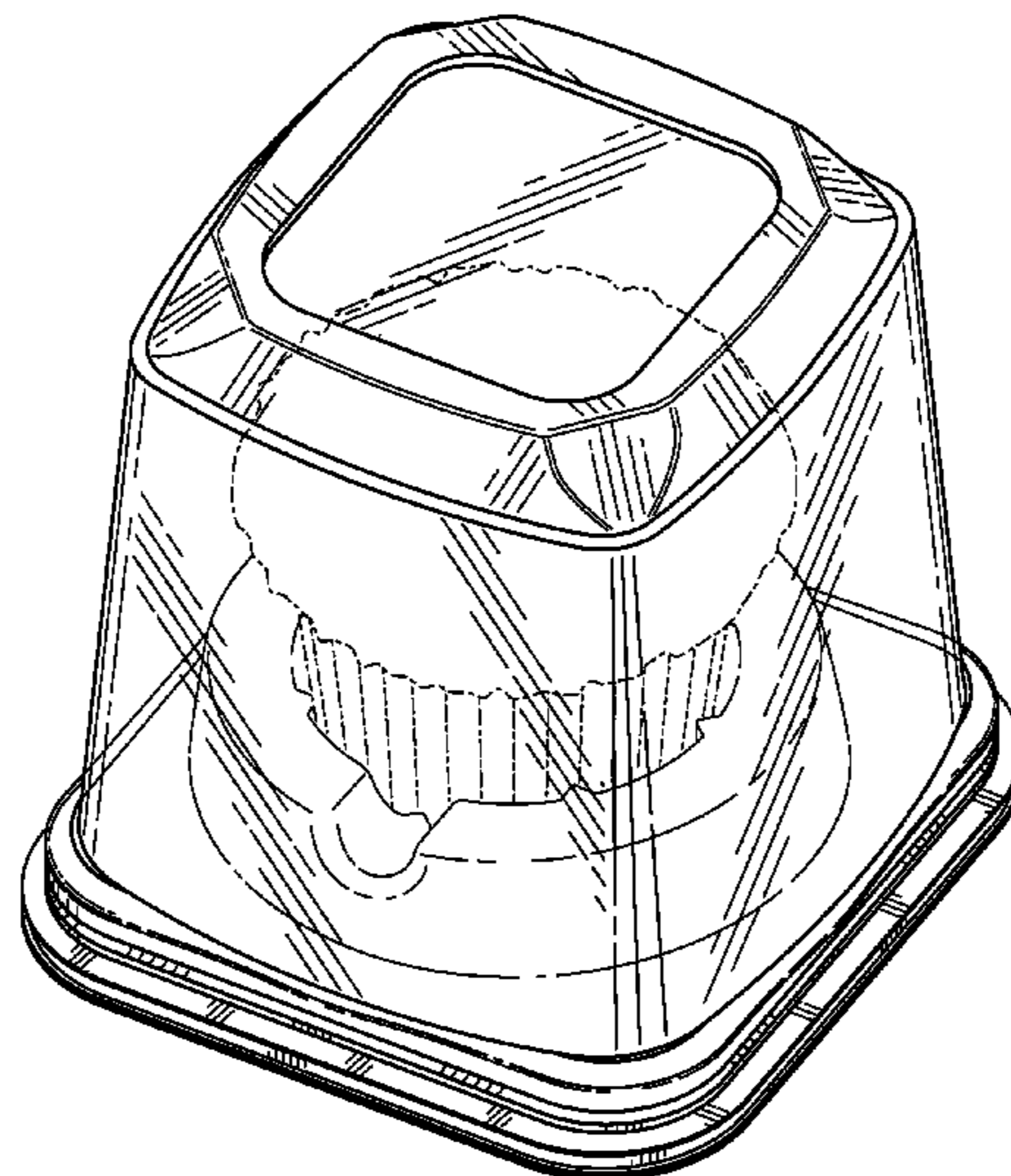
The ornamental design for a package, as shown and described.

DESCRIPTION

FIG. 1 is a perspective view of the top of the package;
FIG. 2 is a perspective view of the top of the package;
FIG. 3 is a top view of the package;
FIG. 4 is a bottom view of the package;
FIG. 5 is a front view of the package;
FIG. 6 is a rear view of the package;
FIG. 7 is a side view of the package; and,
FIG. 8 is an opposite side view of the package.

The broken lines illustrate environmental structure which forms no part of the claimed design.

1 Claim, 5 Drawing Sheets



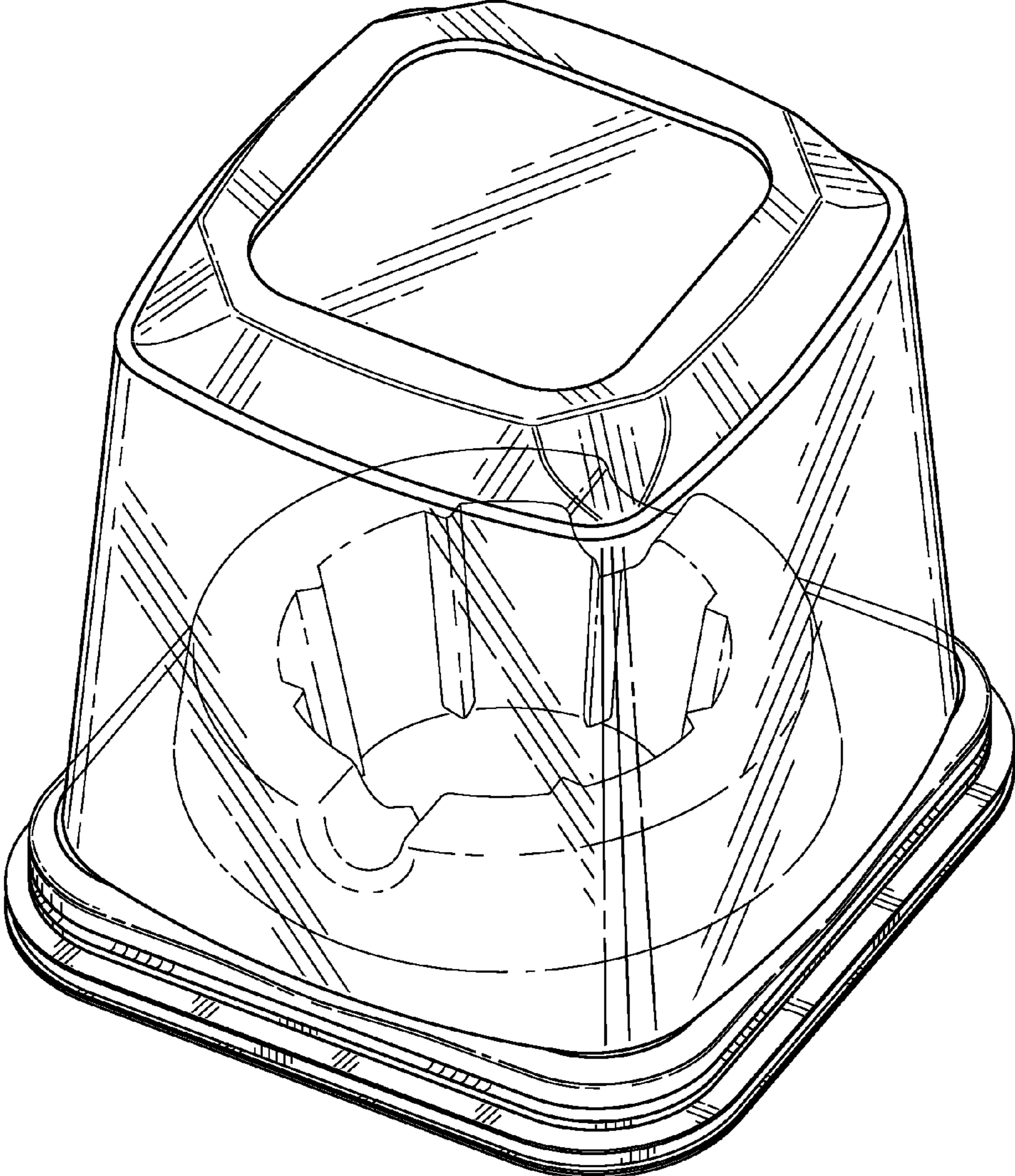


FIG. 1

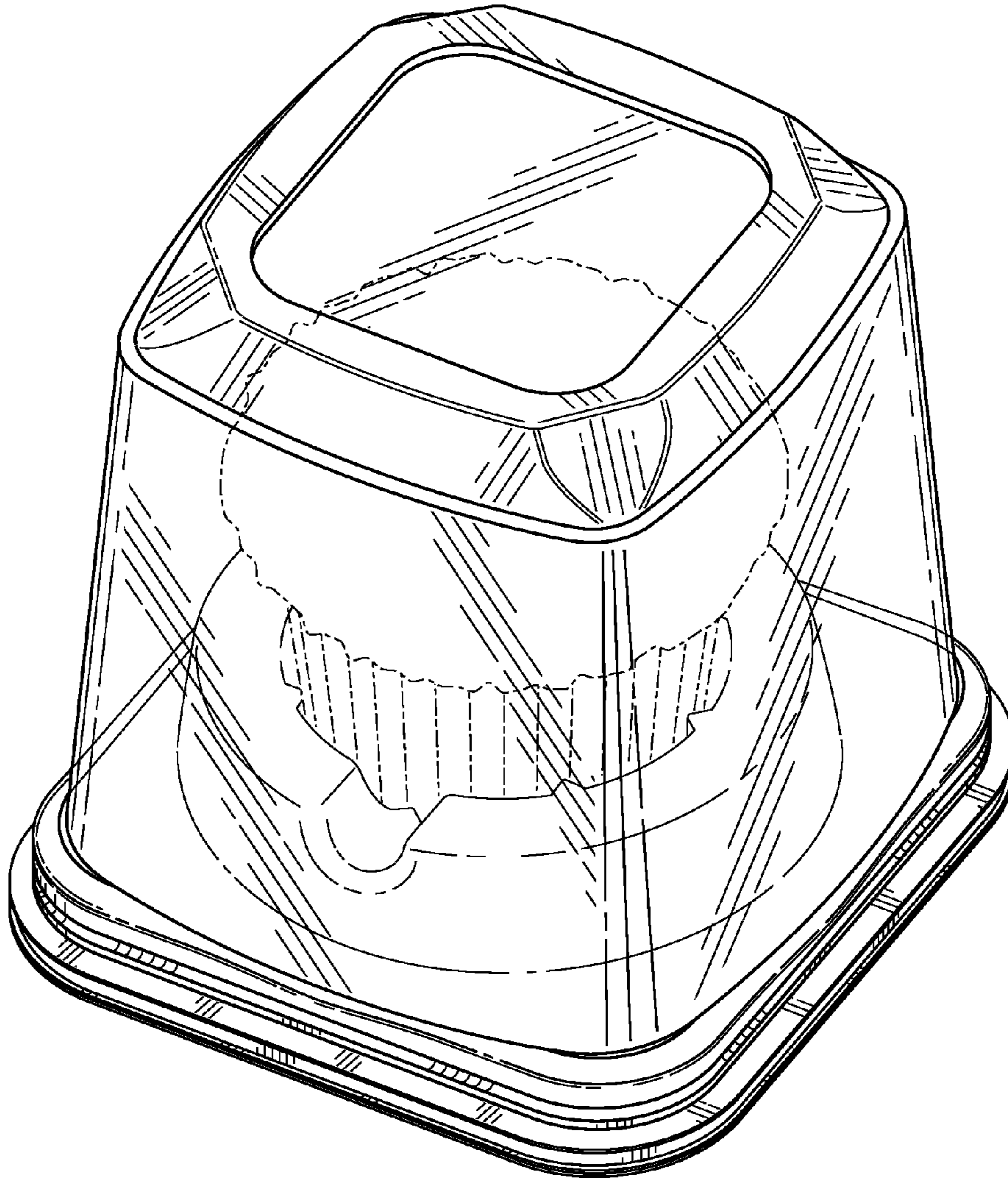


FIG. 2

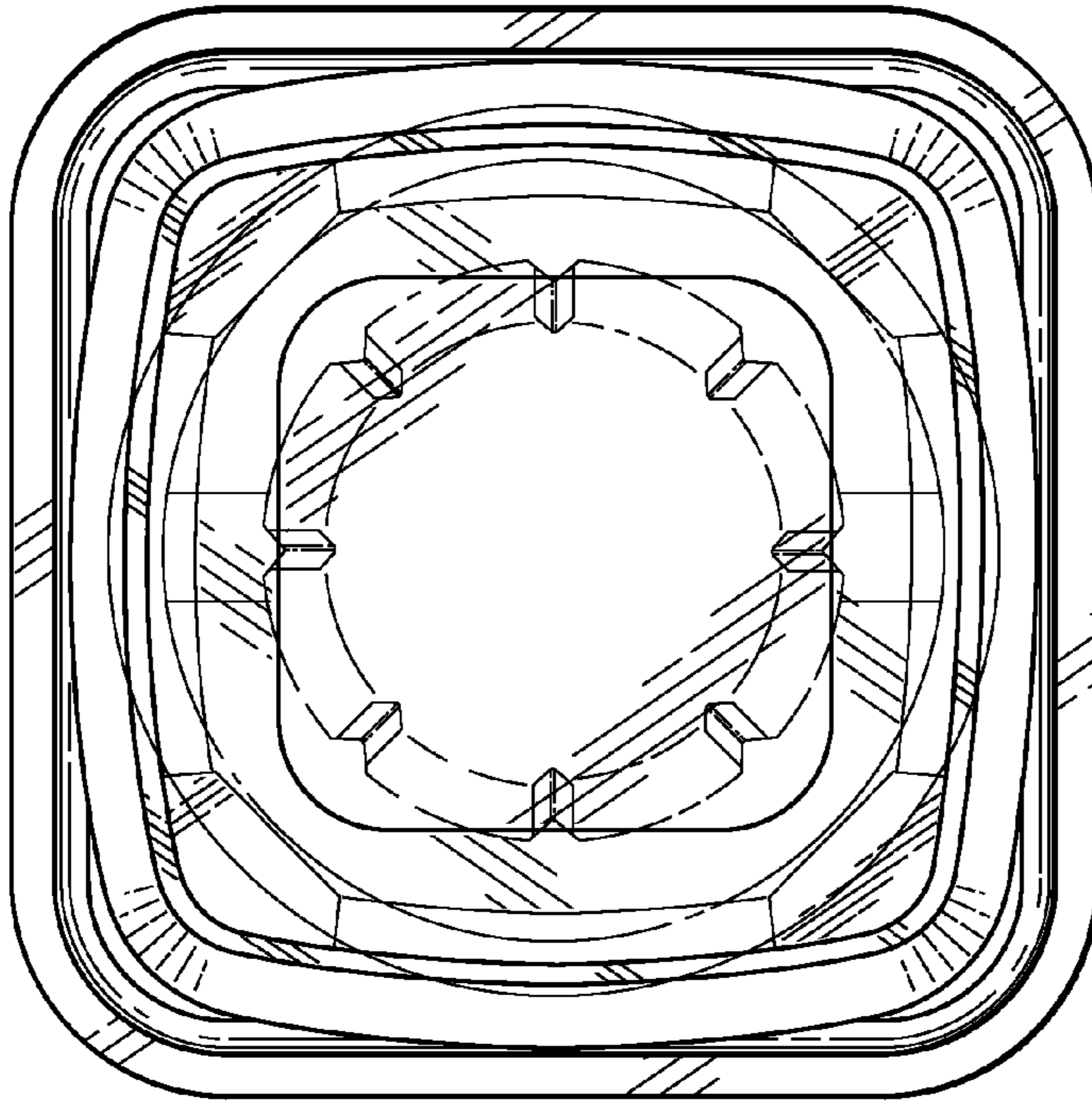


FIG. 3

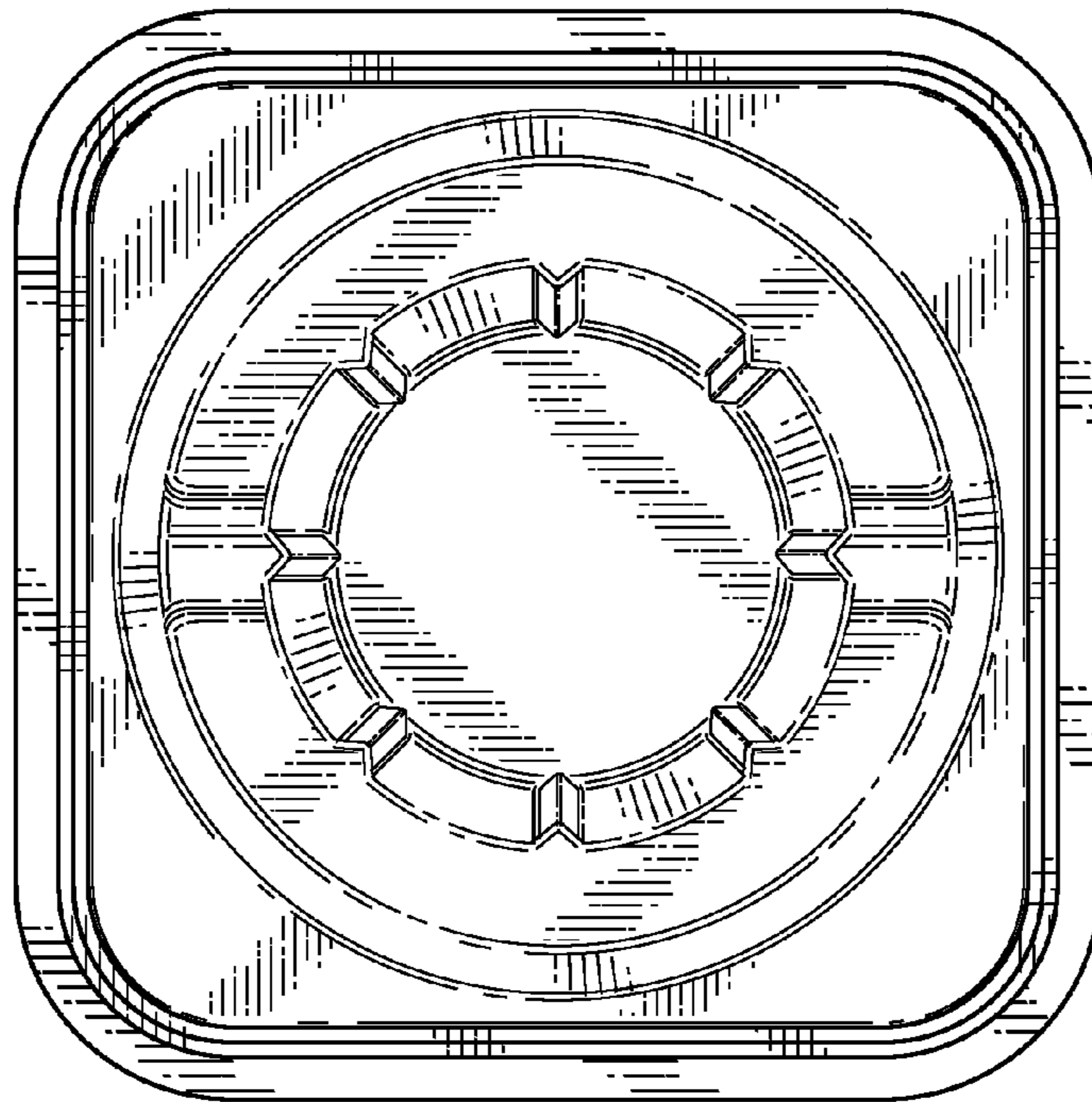


FIG. 4

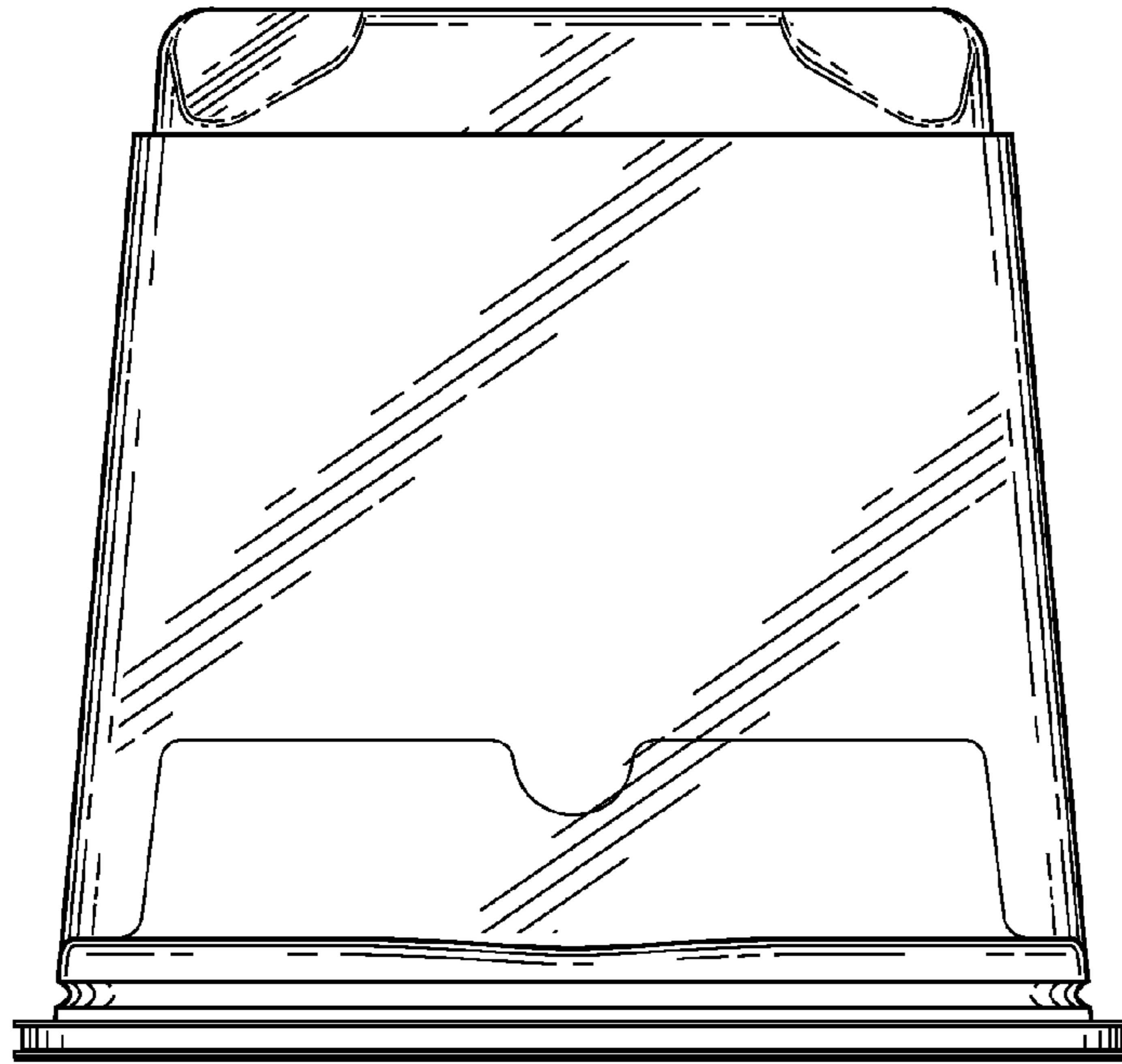


FIG. 5

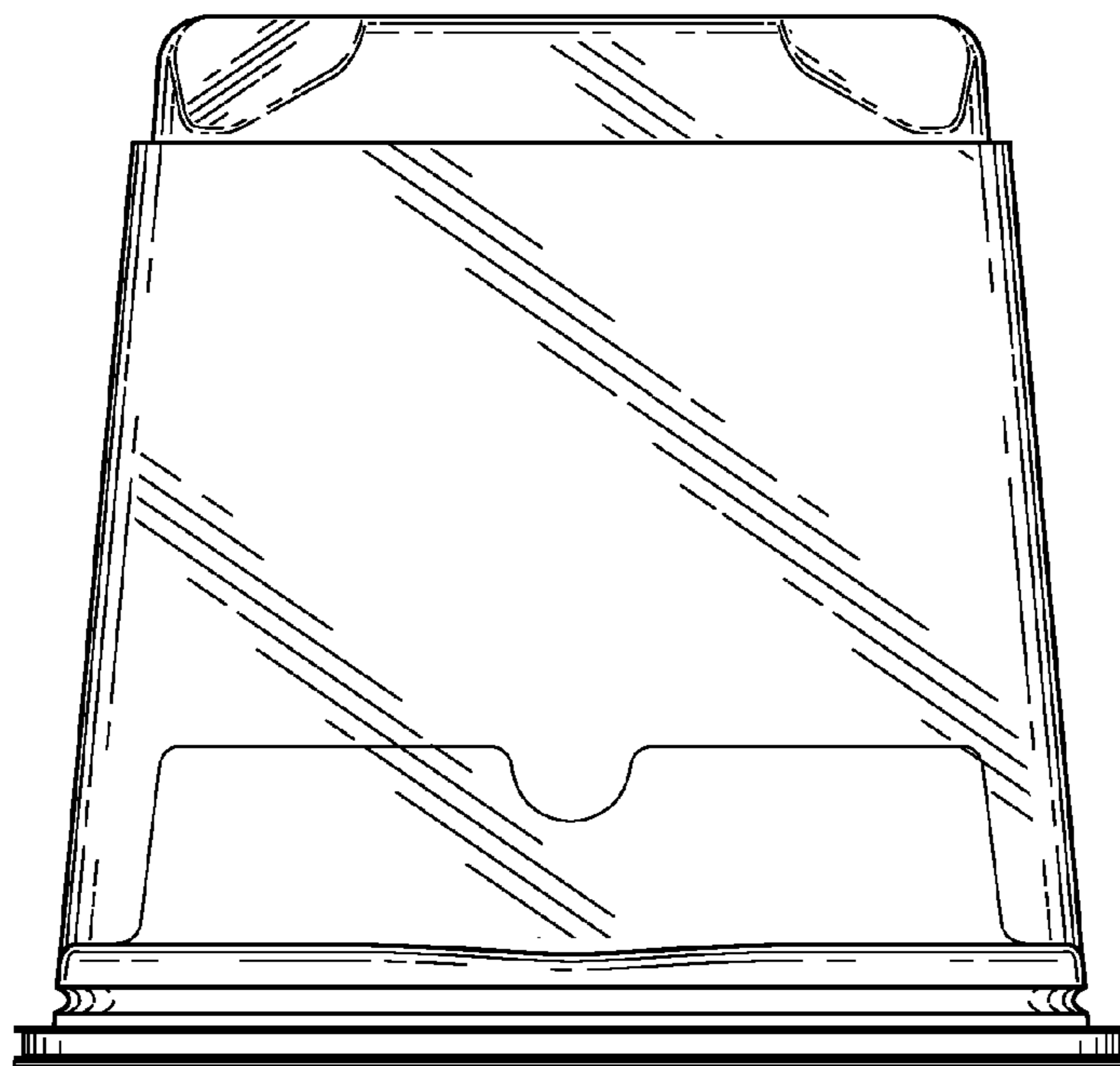


FIG. 6

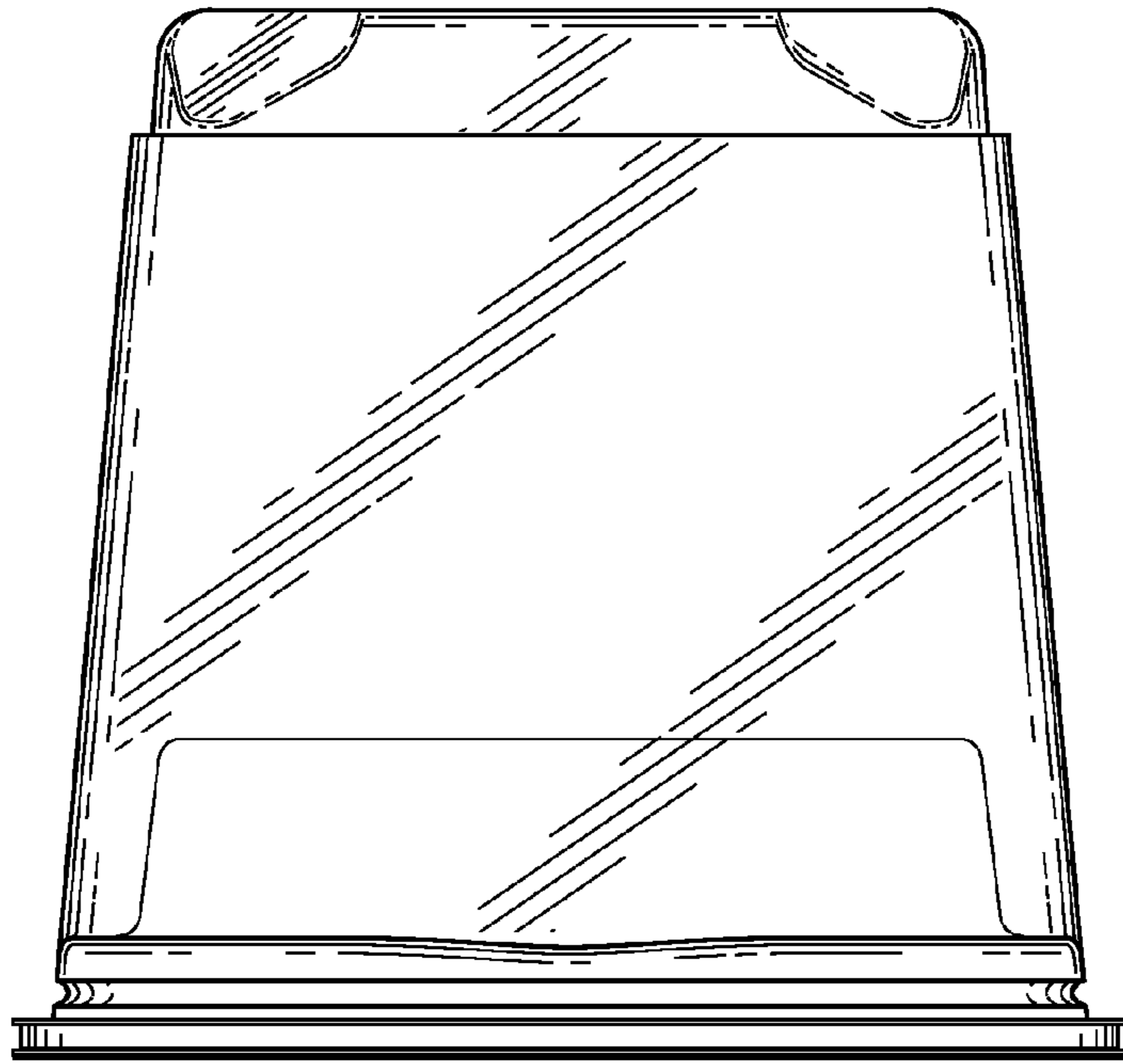


FIG. 7

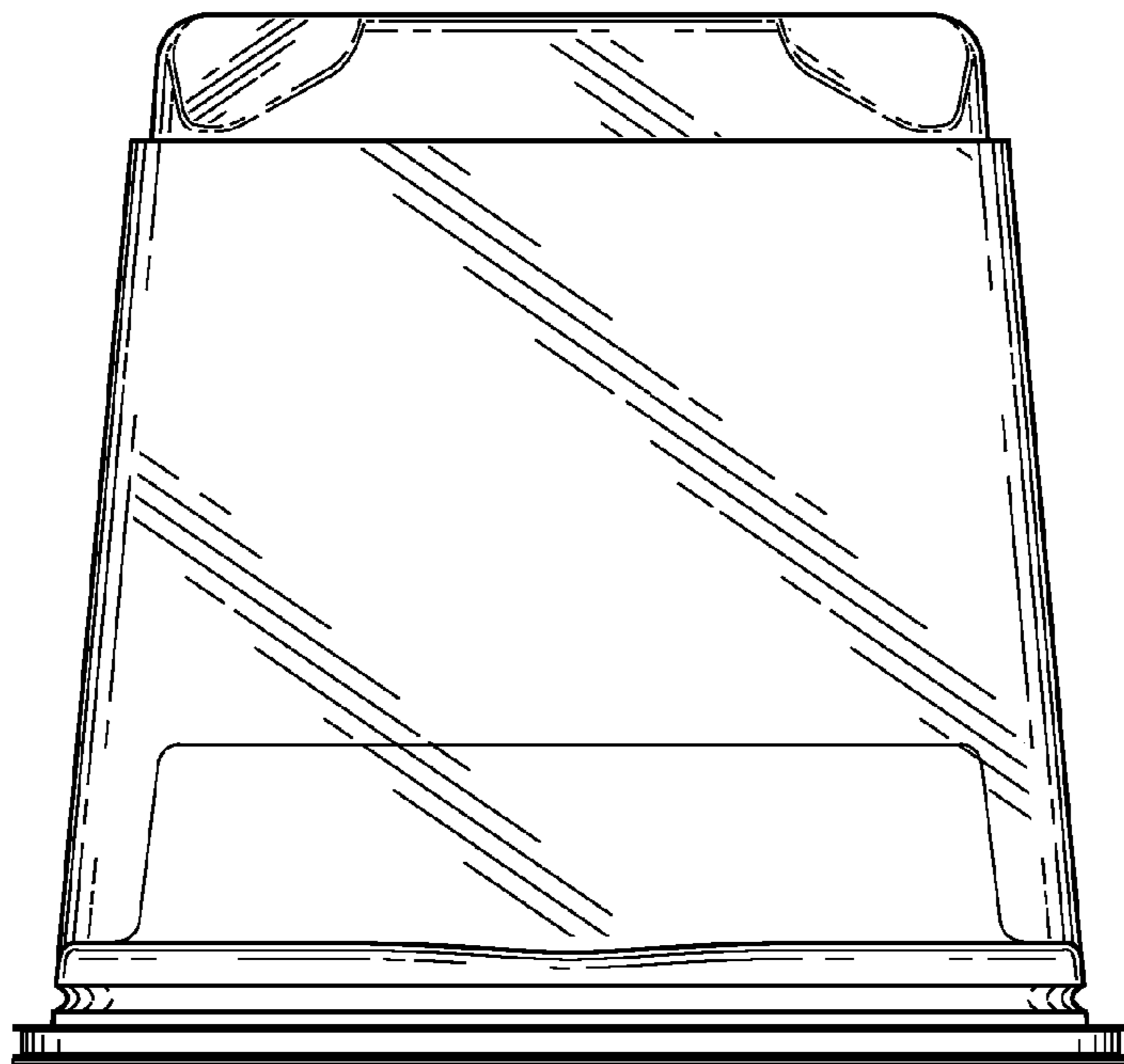


FIG. 8