



US00D631338S

(12) **United States Design Patent**  
**Prevost**

(10) **Patent No.:** **US D631,338 S**  
(45) **Date of Patent:** **\*\* Jan. 25, 2011**

(54) **CLAMSHELL PACKAGE**

(76) Inventor: **Pierre Marcel Prevost**, 2104-6659  
Southoaks Cr., Burnaby, BC (CA) V5E  
4M9

(\*\*) Term: **14 Years**

(21) Appl. No.: **29/363,779**

(22) Filed: **Jun. 14, 2010**

(30) **Foreign Application Priority Data**

Dec. 16, 2009 (CA) ..... 133255

(51) **LOC (9) Cl.** ..... **09-03**

(52) **U.S. Cl.** ..... **D9/421**

(58) **Field of Classification Search** ..... D9/414-416,  
D9/418-421, 423-428, 430-432, 434; D3/302,  
D3/314; 206/119, 464, 470, 508, 545, 806;  
220/4.22-4.24, 574, 604-608, 659, 675,  
220/781-782, 793, 835, 839, DIG. 14; 229/406,  
229/407, 902; D7/396.1, 392.1, 394, 538,  
D7/543-545, 550.1, 551, 554.3, 587, 566,  
D7/584, 586, 629, 667; 221/191; D23/355-366;  
219/725, 735

See application file for complete search history.

(56) **References Cited**

**U.S. PATENT DOCUMENTS**

2,780,385 A \* 2/1957 Tupper ..... 220/797  
3,082,903 A \* 3/1963 Stevens et al. .... 220/833  
D309,213 S \* 7/1990 Chaney ..... D3/291  
2006/0042986 A1 \* 3/2006 Simkowski ..... 206/470

\* cited by examiner

*Primary Examiner*—Thomas J Johannes

(74) *Attorney, Agent, or Firm*—C. Larry Kyle; Nexus Law  
Group LLP

(57) **CLAIM**

The ornamental design for a clamshell package, as shown and  
described.

**DESCRIPTION**

FIG. 1 is a front perspective view of a clamshell package,  
showing my new design in an open position taken from the  
top left;

FIG. 2 is a front perspective view thereof in a half open  
position taken from the top right;

FIG. 3 is a front perspective view thereof in a closed position  
taken from the top right;

FIG. 4 is a front perspective view thereof in a partially open  
position taken from the top right;

FIG. 5 is a rear perspective view thereof in the open position  
shown in FIG. 1 taken from the bottom right;

FIG. 6 is a top plan view thereof;

FIG. 7 is a left side elevation view thereof, the right side  
elevation view being a mirror image thereof;

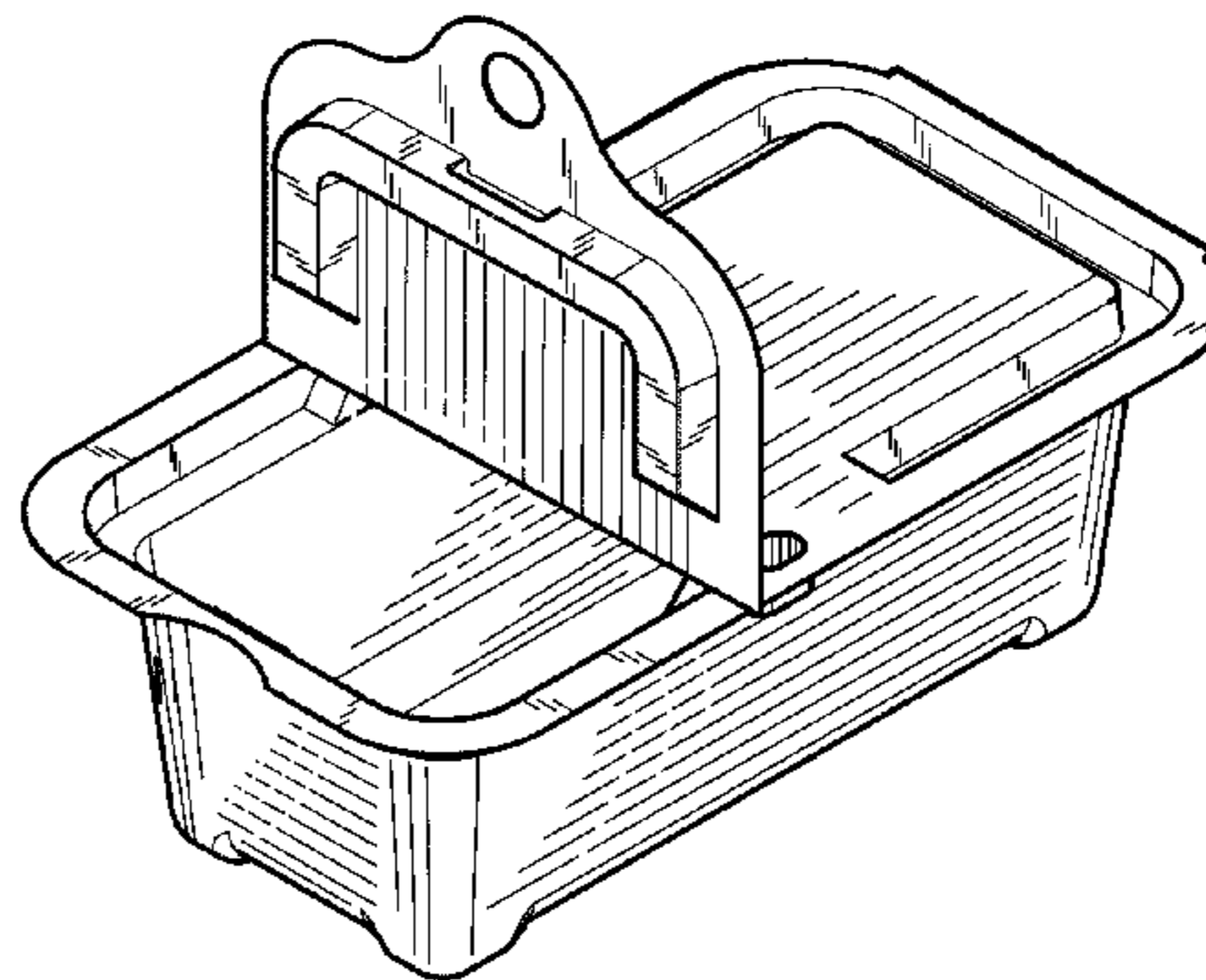
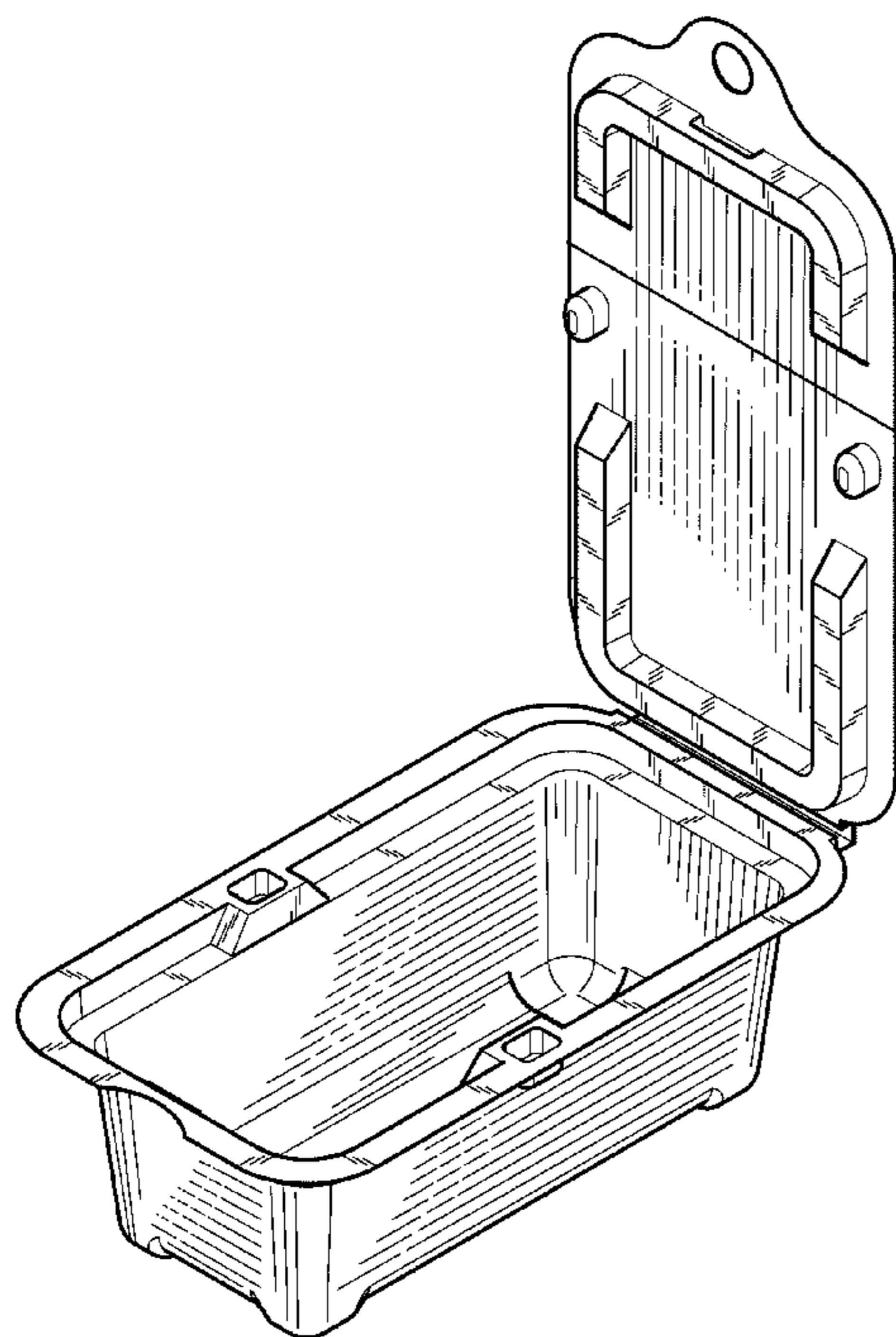
FIG. 8 is a bottom plan view thereof;

FIG. 9 is a front elevation view thereof; and,

FIG. 10 is a rear elevation view thereof.

The broken lines showing in FIGS. 5, 6 and FIG. 8 show  
unclaimed subject matter only and form no part of the claimed  
design.

**1 Claim, 6 Drawing Sheets**



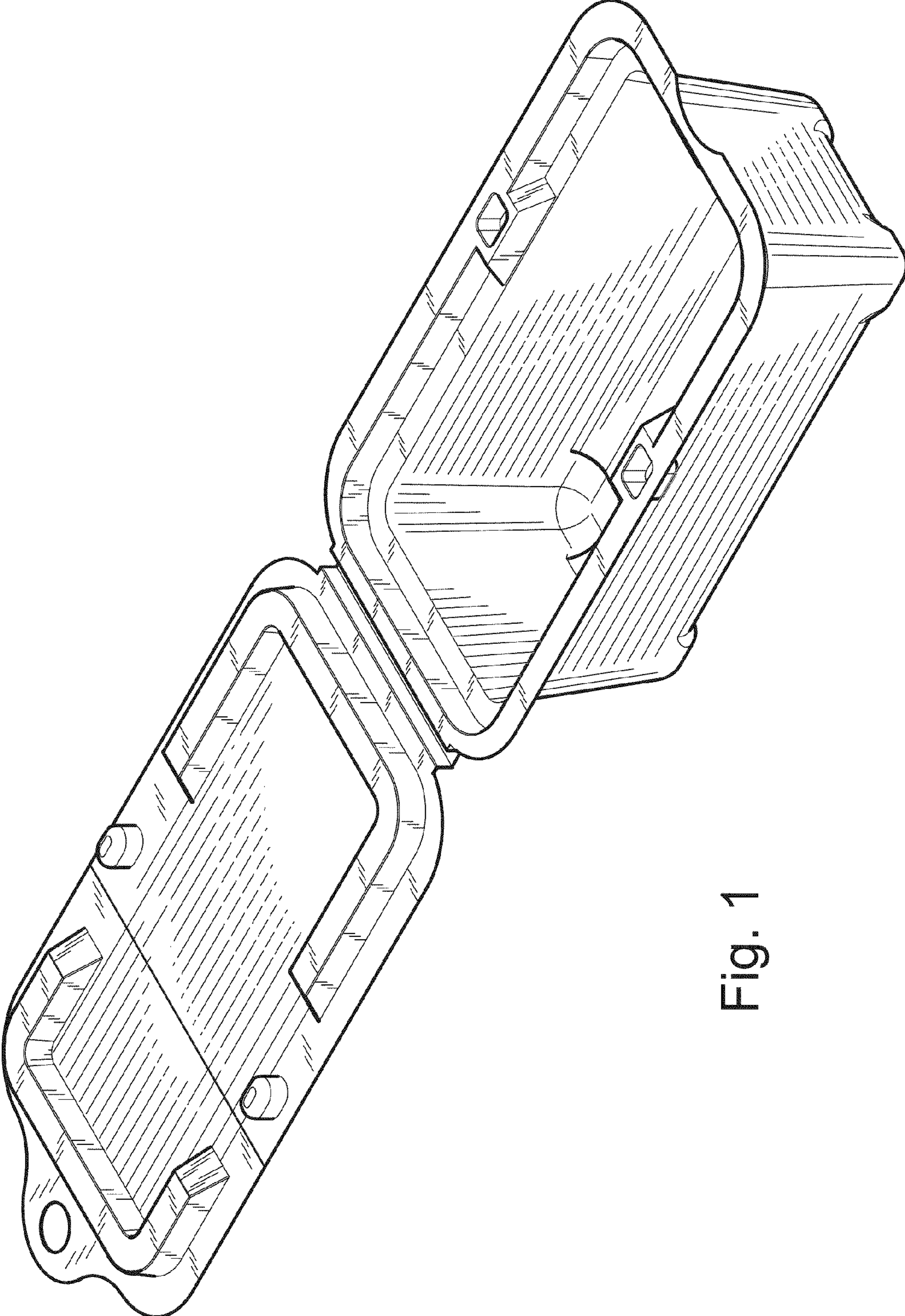


Fig. 1

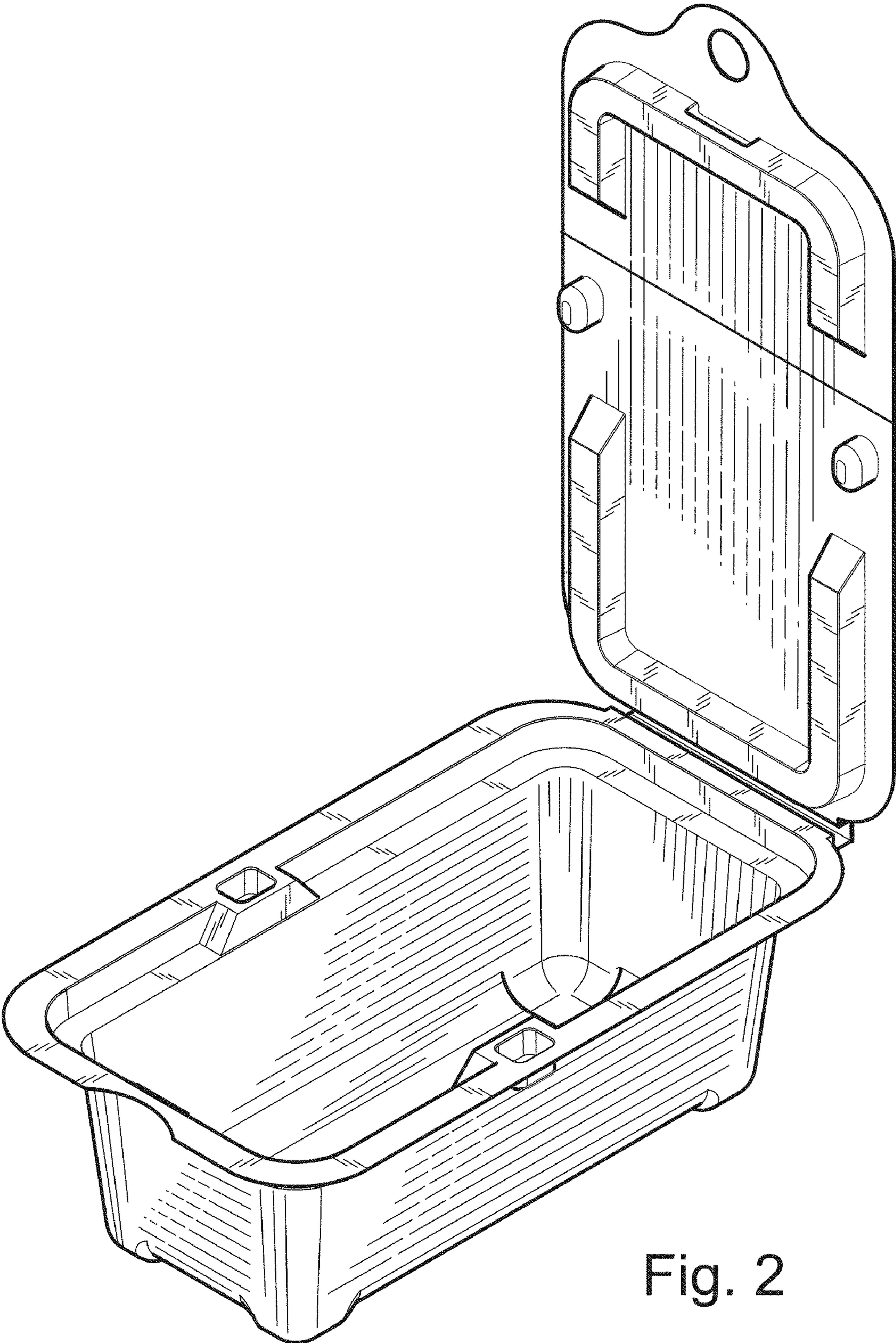


Fig. 2

Fig. 3

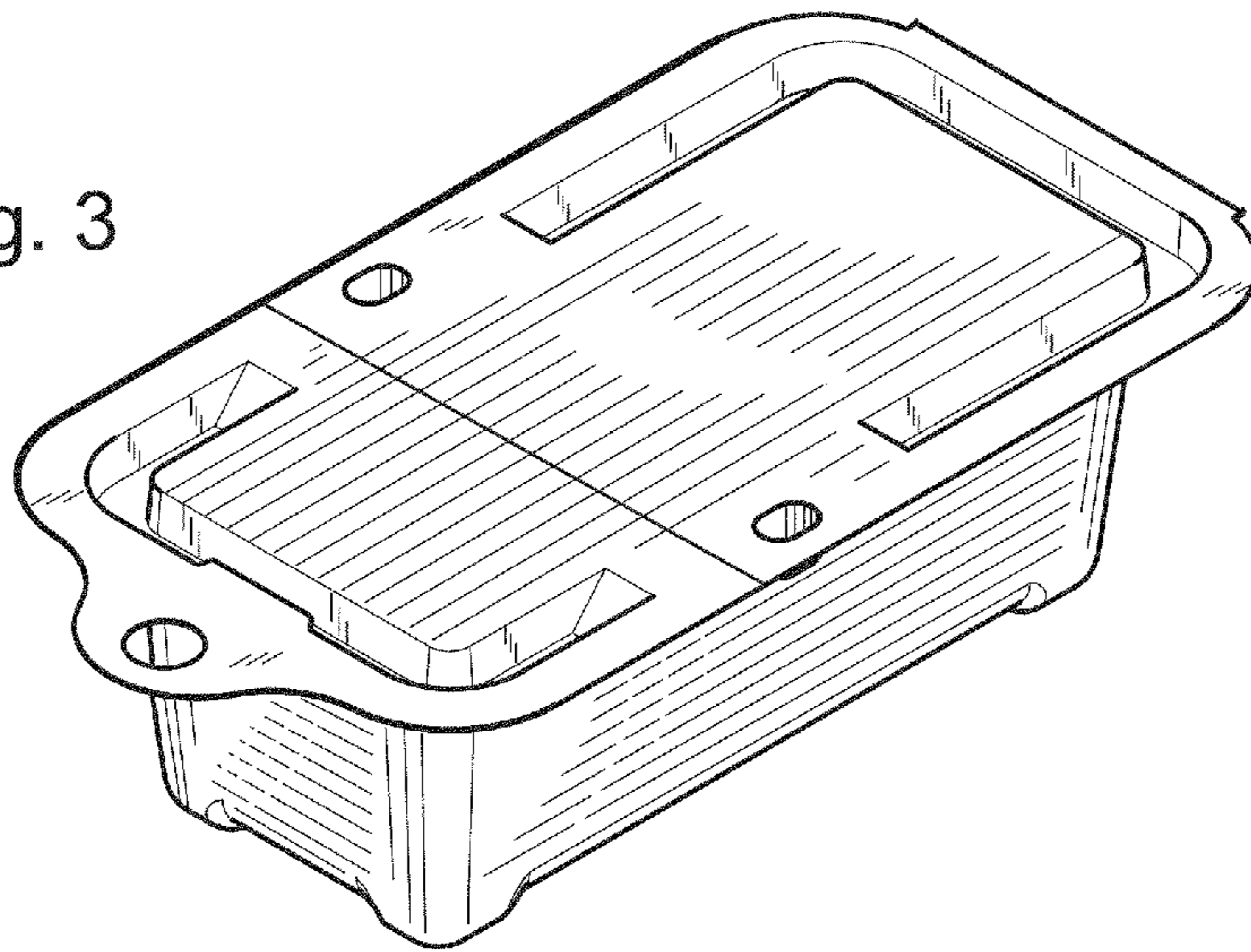
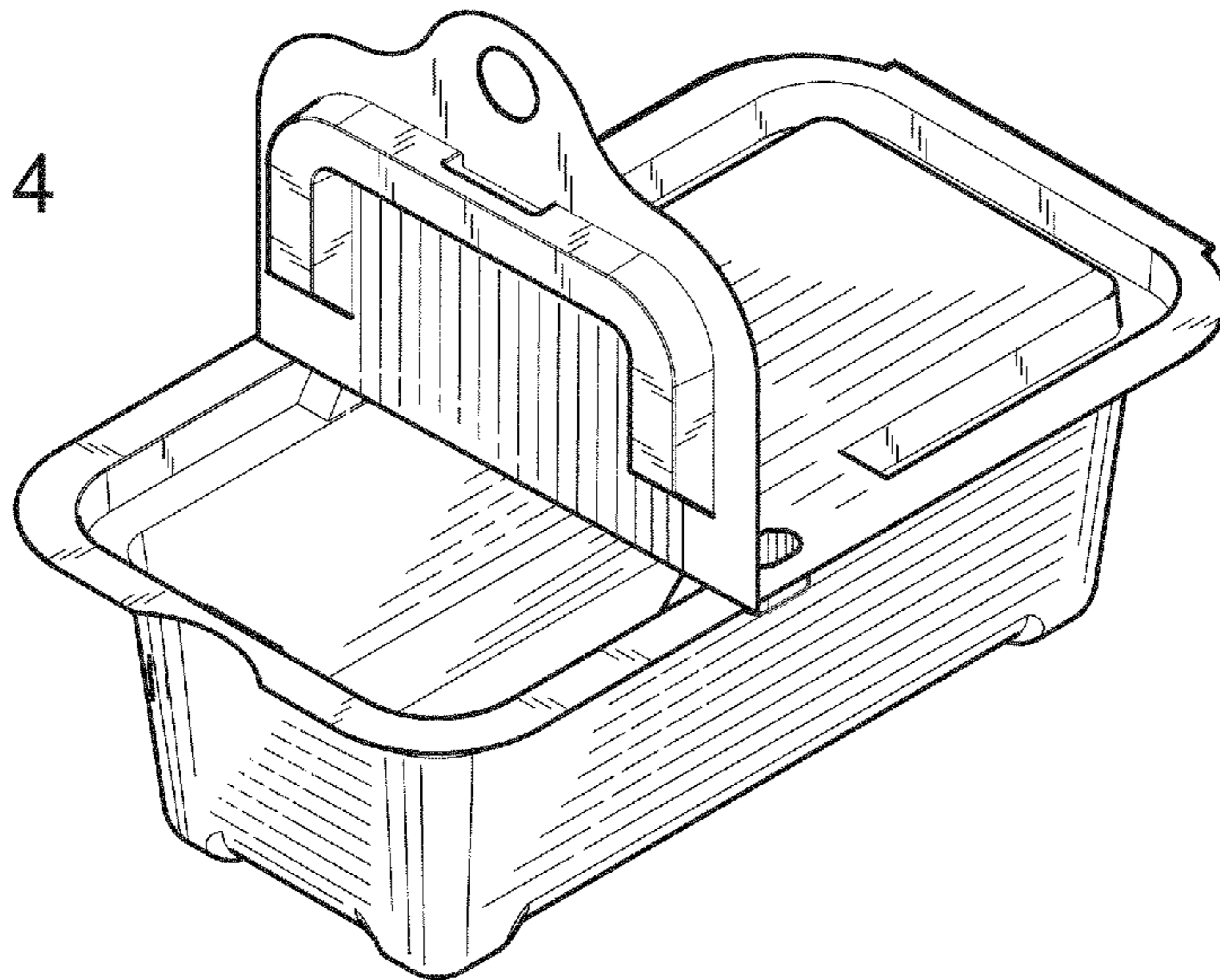


Fig. 4



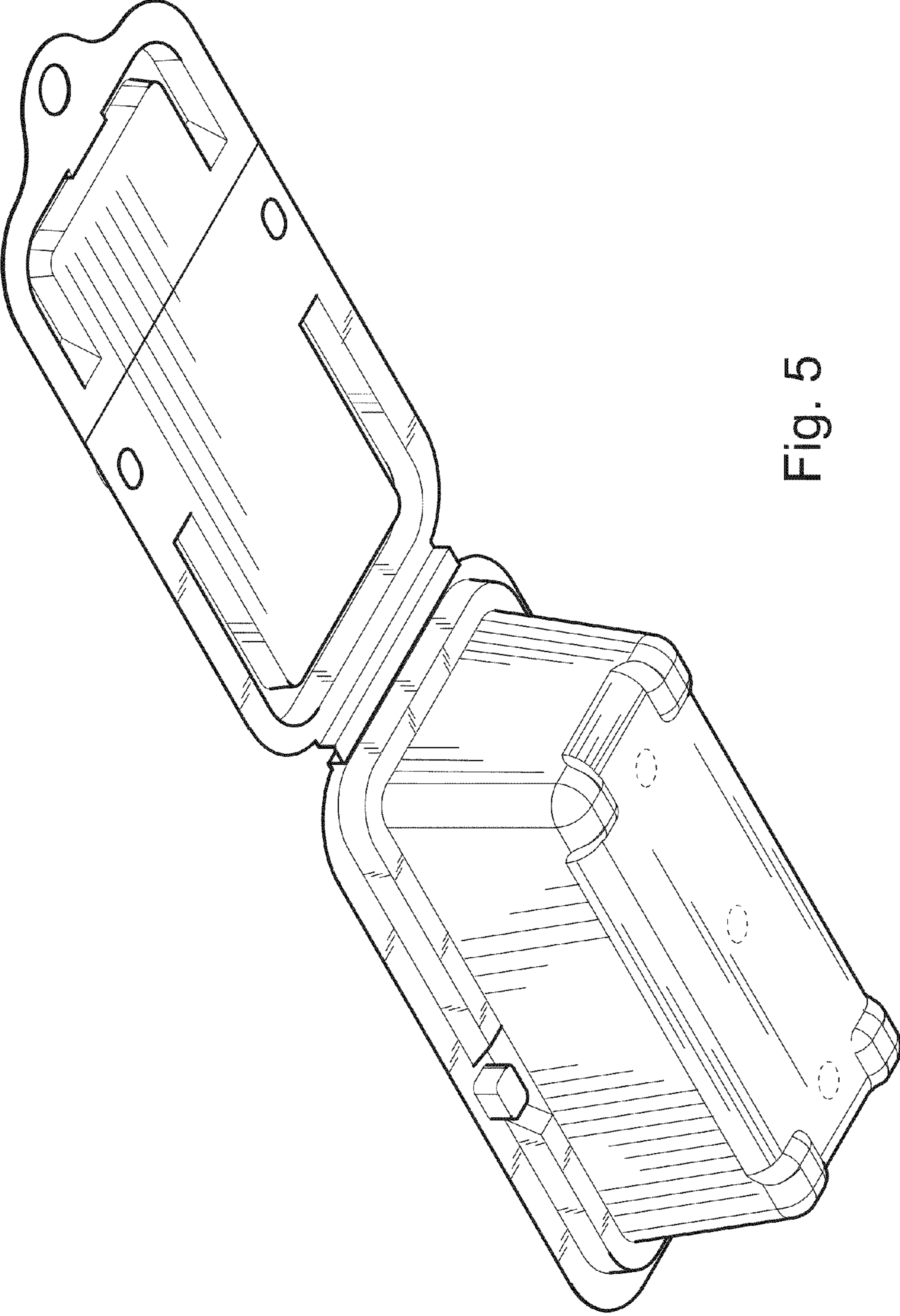


Fig. 5

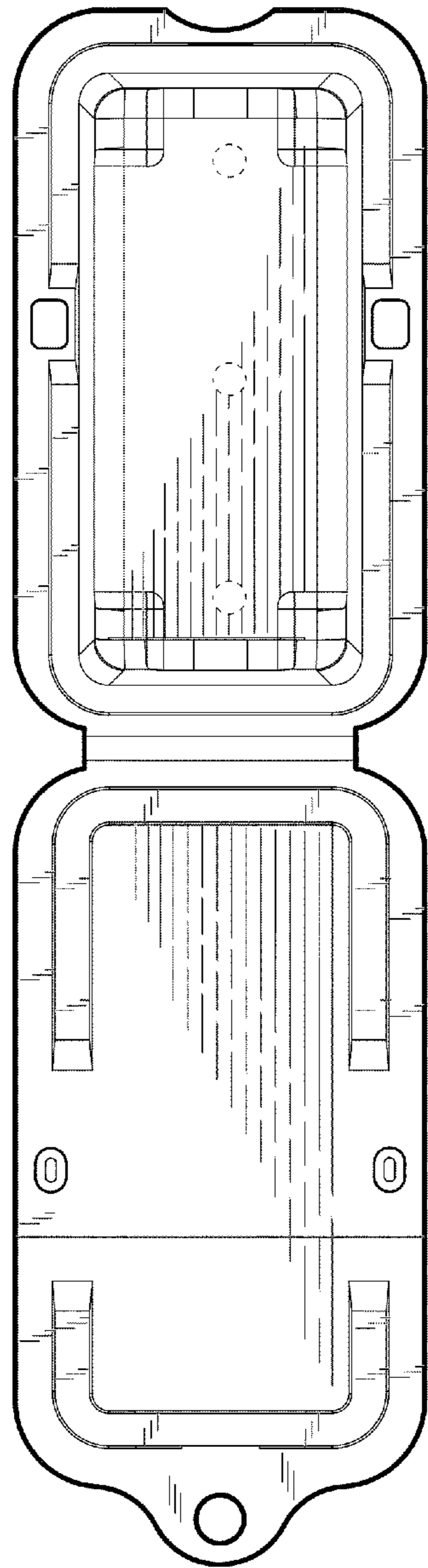


Fig. 6

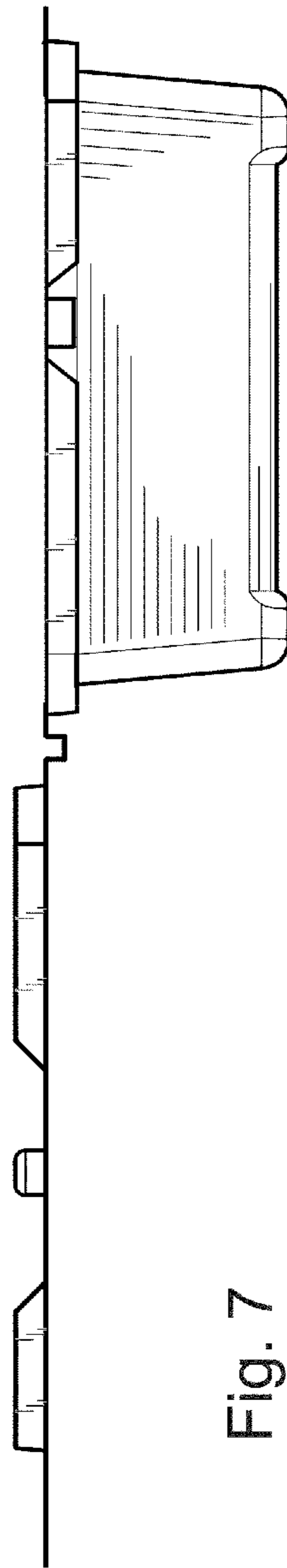


Fig. 7

Fig. 8

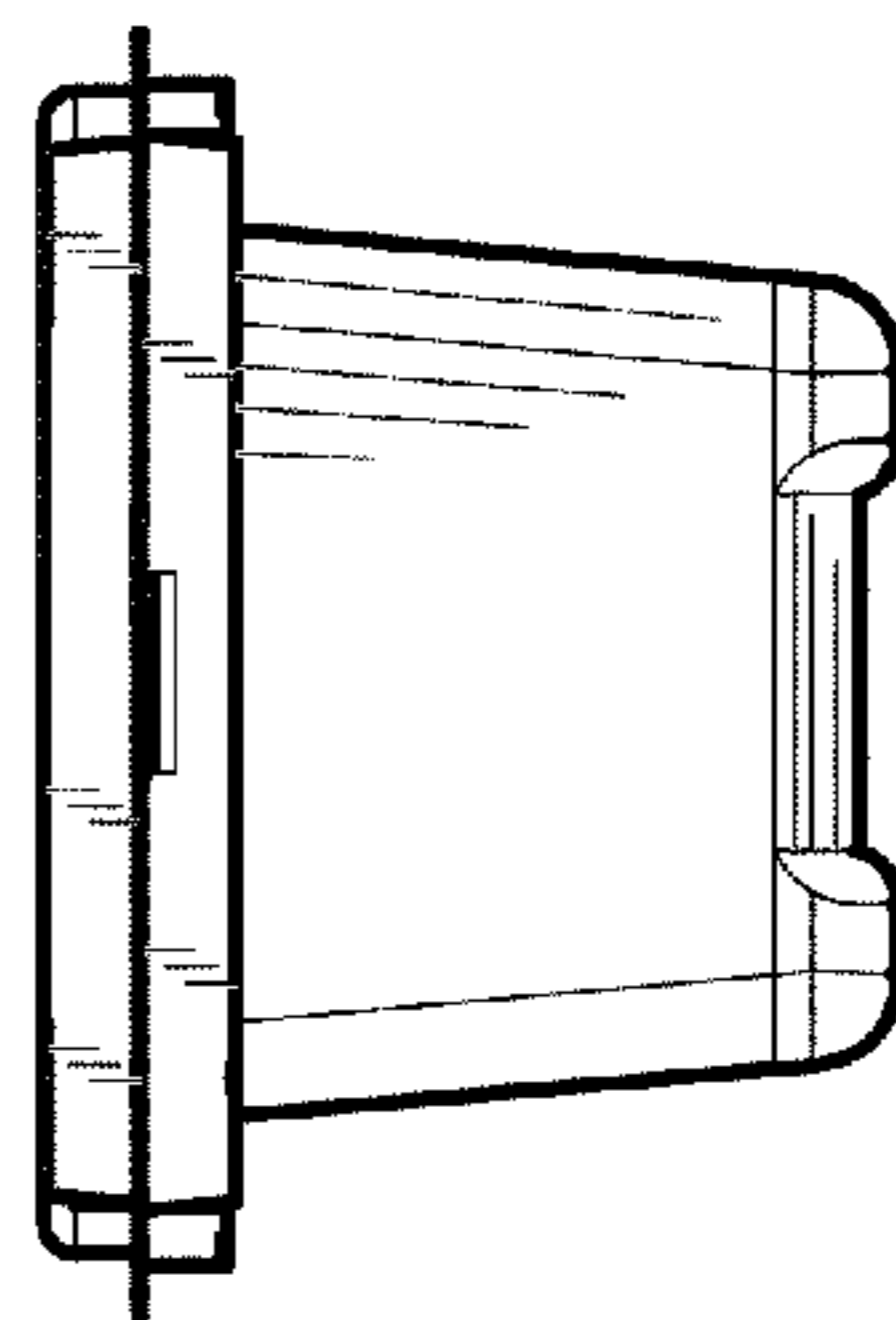
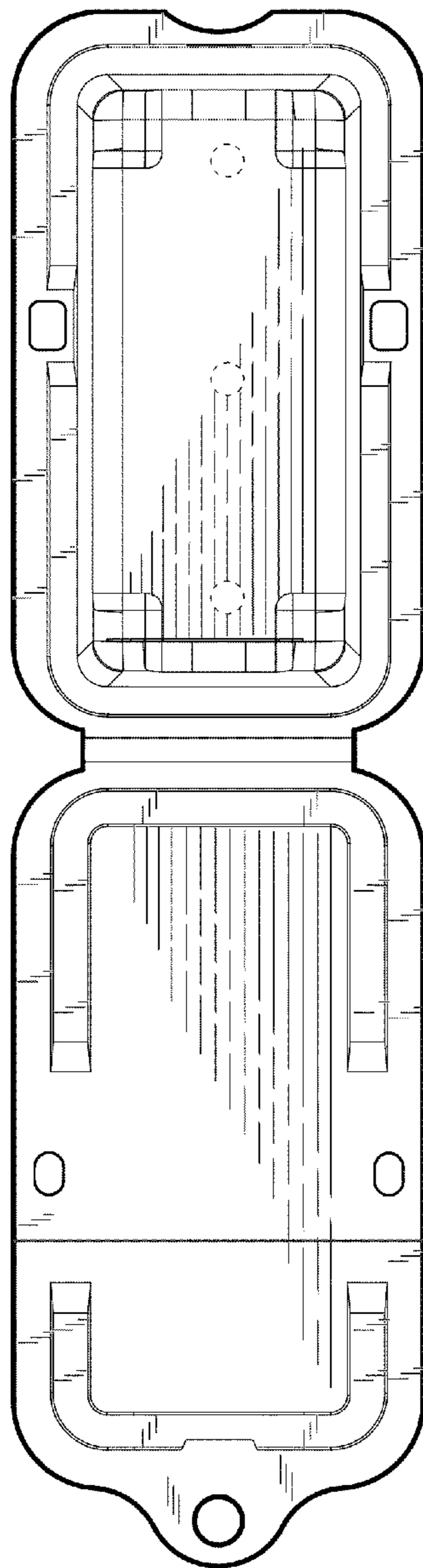


Fig. 9

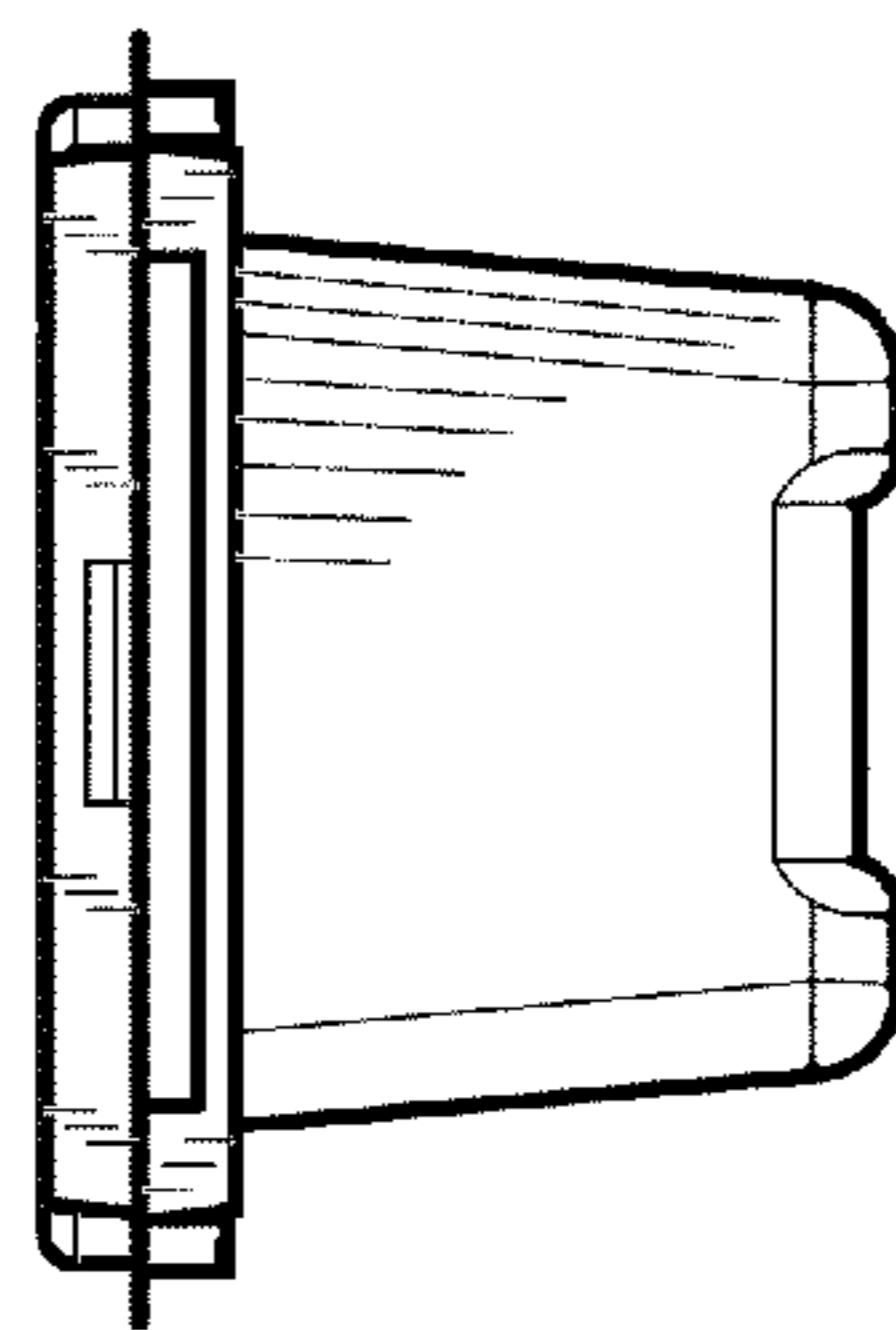


Fig. 10