



US00D631337S

(12) **United States Design Patent**  
**Prevost**

(10) **Patent No.:** **US D631,337 S**  
(45) **Date of Patent:** **\*\* Jan. 25, 2011**

(54) **CLAMSHELL PACKAGE**

(76) **Inventor:** **Pierre Marcel Prevost**, 2104-6659  
Southoaks Cr., Burnaby, BC (CA) V5E  
4M9

(\*\*) **Term:** **14 Years**

(21) **Appl. No.:** **29/352,124**

(22) **Filed:** **Dec. 16, 2009**

(51) **LOC (9) Cl.** ..... **09-03**

(52) **U.S. Cl.** ..... **D9/421**

(58) **Field of Classification Search** ..... D9/414-416,  
D9/418-421, 423-428, 430-432, 434; D3/302,  
D3/314; 206/119, 464, 470, 508, 545, 806;  
220/4.22-4.24, 574, 604-608, 659, 675,  
220/781-782, 793, 835, 839, DIG. 14; 229/406,  
229/407, 902; D7/396.1, 392.1, 394, 538,  
D7/543-545, 550.1, 551, 554.3, 587, 566,  
D7/584, 586, 629, 667; 221/191; D23/355-366;  
219/725, 735

See application file for complete search history.

(56) **References Cited**

**U.S. PATENT DOCUMENTS**

2,780,385	A *	2/1957	Tupper	.....	220/797
3,082,903	A *	3/1963	Stevens et al.	.....	220/833
3,391,783	A	7/1968	Gantz		
D222,582	S	11/1971	Petrie		
4,193,496	A	3/1980	Barratt		
4,202,464	A	5/1980	Mohs et al.		
4,687,129	A	8/1987	Cugley		
4,724,964	A	2/1988	Hernandez		
D305,000	S	12/1989	Hernandez		
D309,213	S *	7/1990	Chaney	.....	D3/291
4,986,438	A	1/1991	Borst		
D331,361	S	12/1992	Langolf		
D338,619	S	8/1993	Mylander et al.		
5,699,913	A	12/1997	Richardson		
5,775,516	A	7/1998	McCumber et al.		
D411,448	S	6/1999	Baker		
5,964,350	A	10/1999	LaMarche et al.		

6,007,854	A	12/1999	Cadiente et al.
6,053,321	A	4/2000	Kayser
D428,331	S	7/2000	MacTavish
D429,462	S	8/2000	Kumakura et al.
D473,137	S	4/2003	Cadiente et al.
D478,002	S	8/2003	Lin
D524,642	S	7/2006	Suckle et al.

(Continued)

*Primary Examiner*—Thomas J Johannes

(74) *Attorney, Agent, or Firm*—C. Larry Kyle; Nexus Law Group LLP

(57) **CLAIM**

The ornamental design for a clamshell package, as shown and described.

**DESCRIPTION**

FIG. 1 is a front perspective view of a clamshell package, showing my new design in an open position taken from the top left;

FIG. 2 is a front perspective view thereof in a half open position taken from the top right;

FIG. 3 is a front perspective view thereof in a closed position taken from the top right;

FIG. 4 is a front perspective view thereof in a partially open position taken from the top right;

FIG. 5 is a rear perspective view thereof in the open position shown in FIG. 1 taken from the bottom right;

FIG. 6 is a top plan view thereof;

FIG. 7 is a left side elevation view thereof, the right side elevation view being a mirror image thereof;

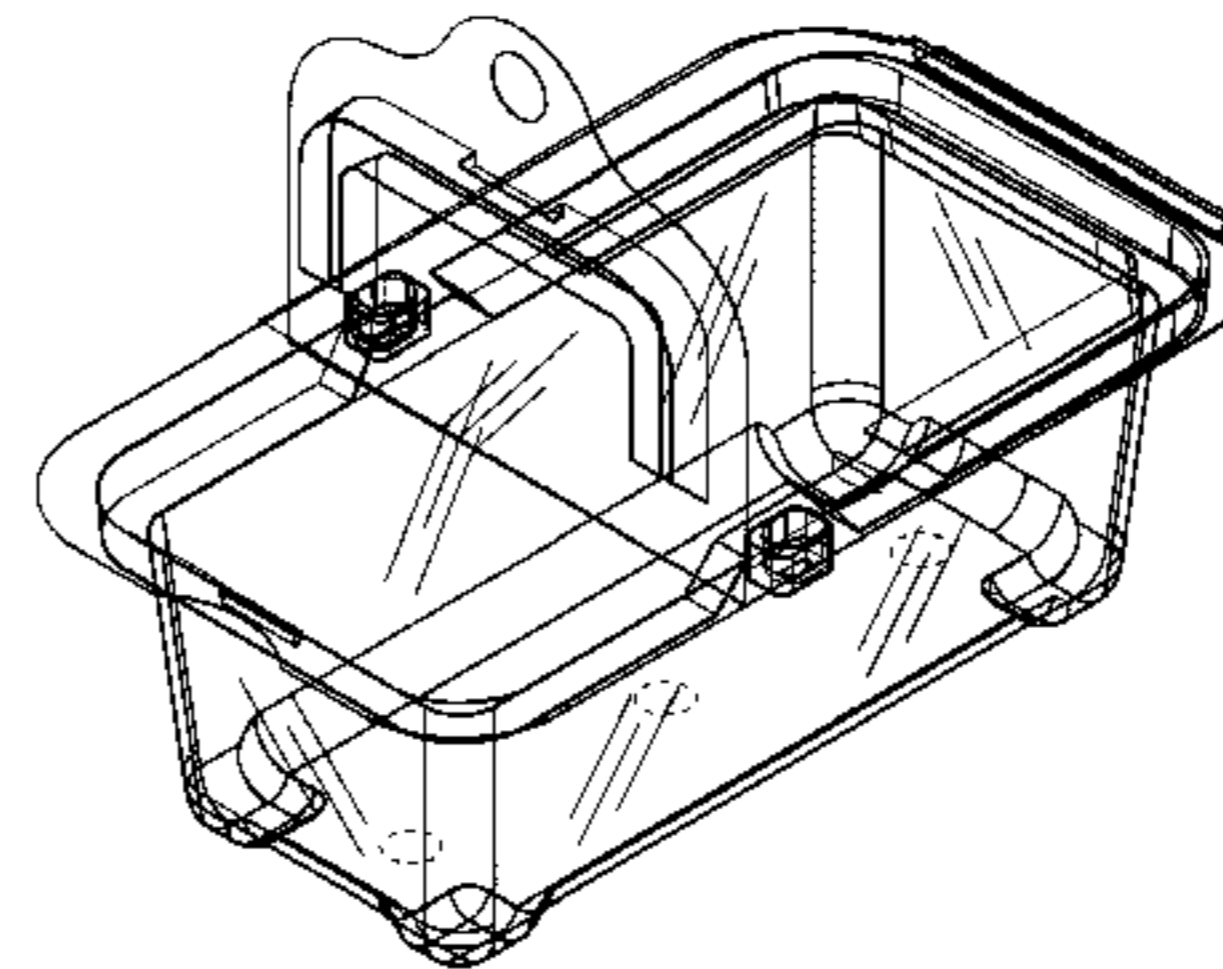
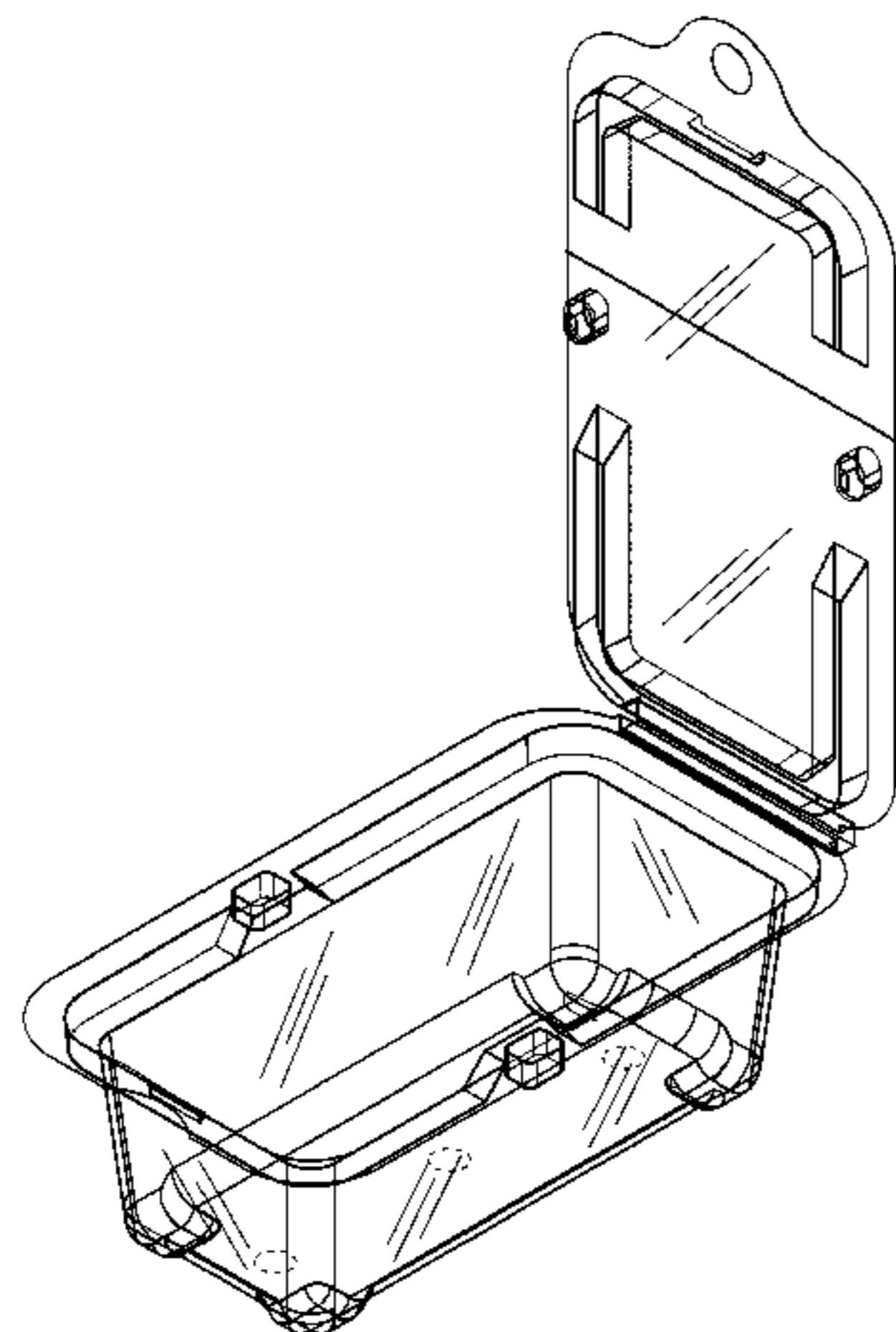
FIG. 8 is a bottom plan view thereof;

FIG. 9 is a front elevation view thereof; and,

FIG. 10 is a rear elevation view thereof.

The broken lines showing in FIGS. 1-6 and FIG. 8 show unclaimed subject matter only and form no part of the claimed design.

**1 Claim, 6 Drawing Sheets**



# US D631,337 S

Page 2

---

## U.S. PATENT DOCUMENTS

D531,798 S	11/2006	Ringo	D598,740 S	8/2009	Auer	
D569,243 S	5/2008	Kidd et al.	D606,392 S	12/2009	Prevost	
D579,326 S	10/2008	Chen	D615,858 S	5/2010	Prevost	
			2006/0042986 A1 *	3/2006	Simkowski	..... 206/470

\* cited by examiner

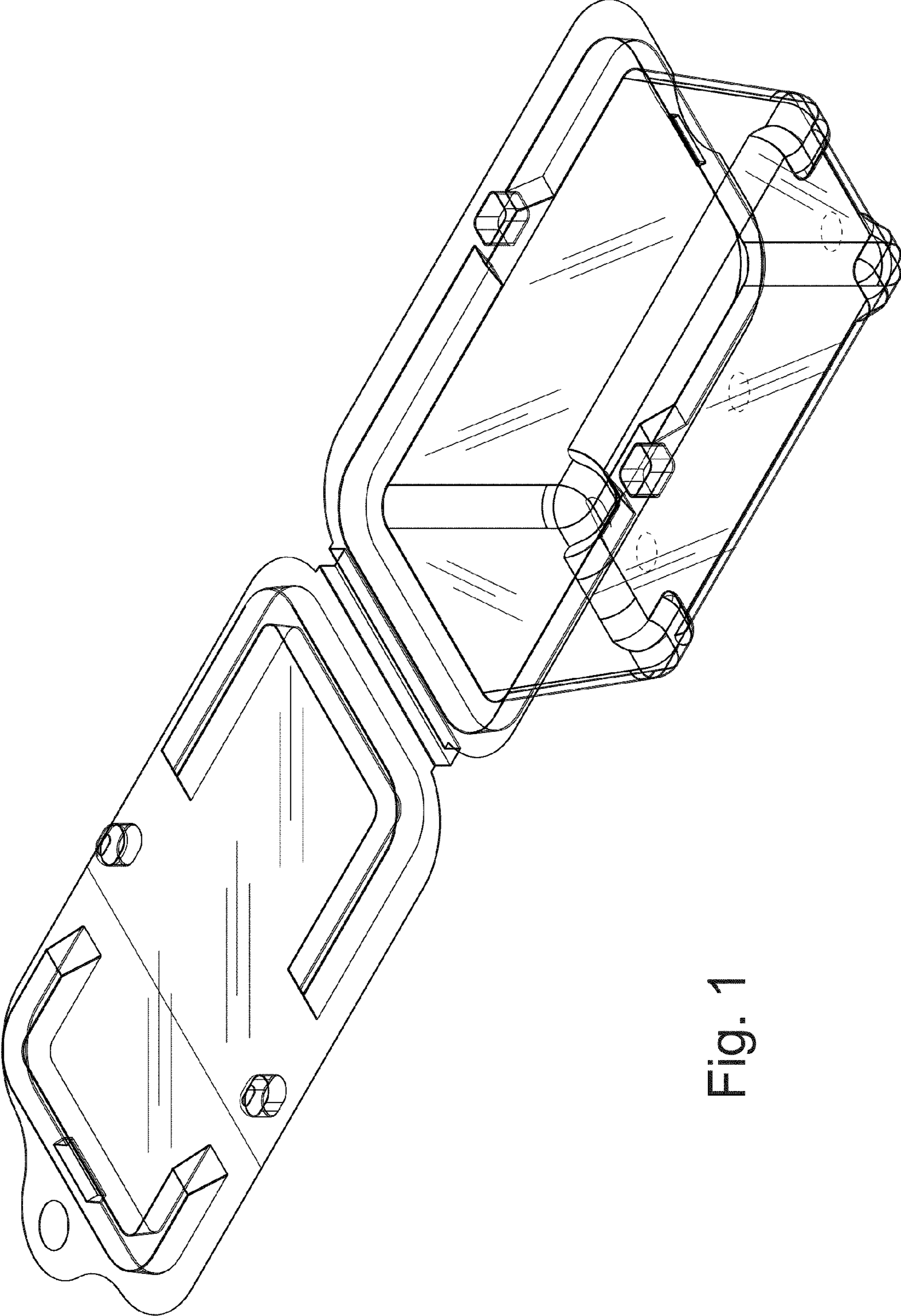


Fig. 1

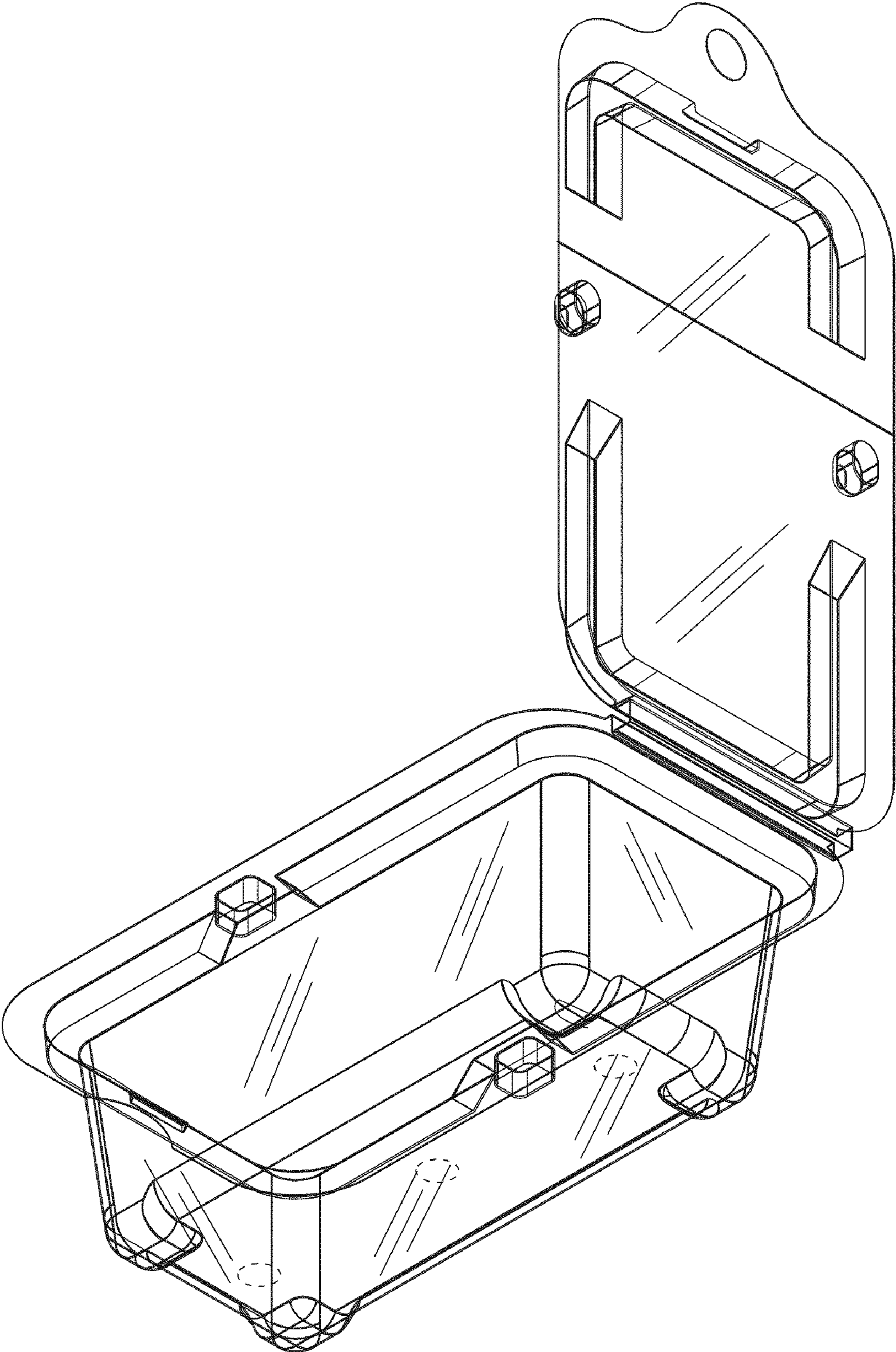


Fig. 2

Fig. 3

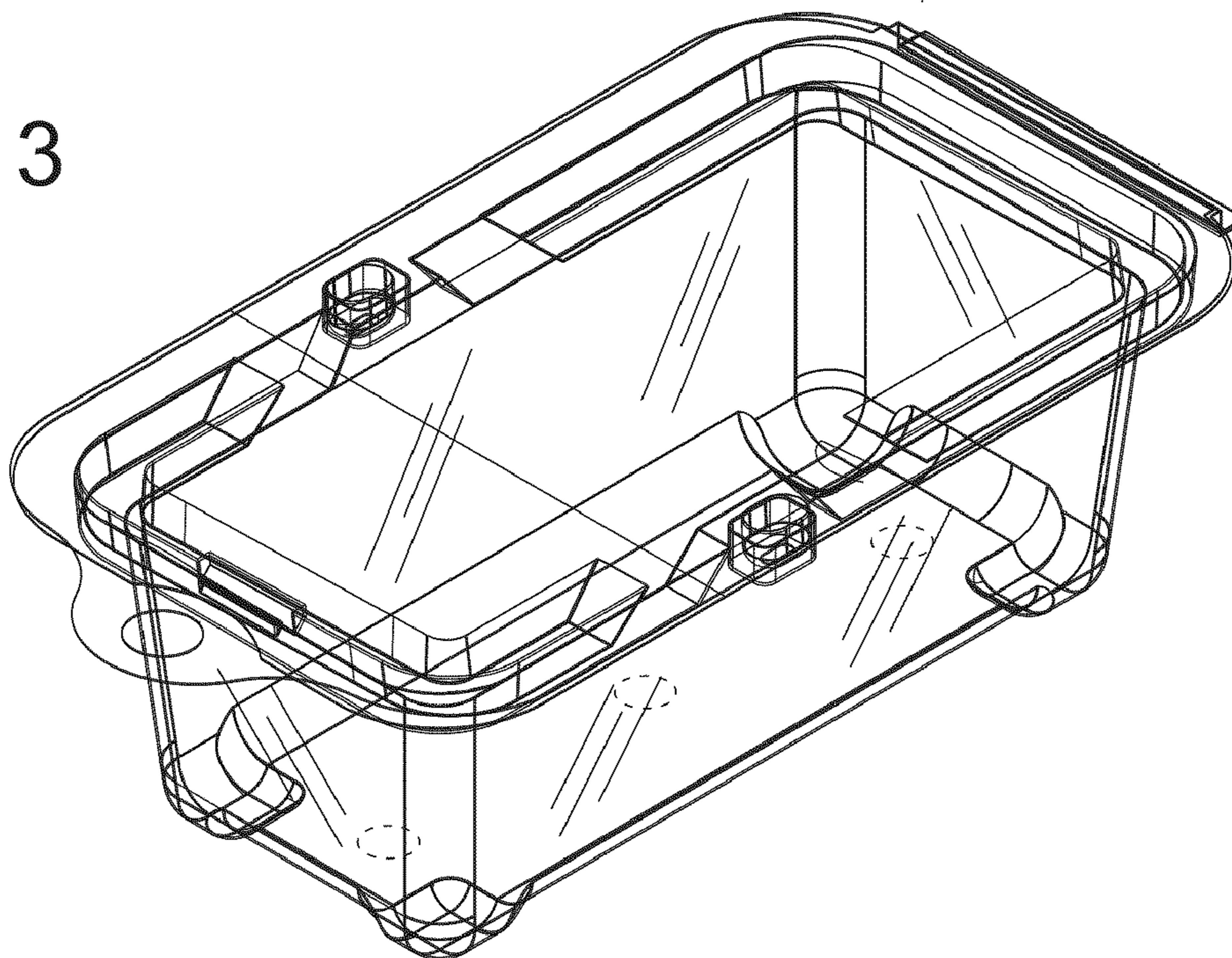
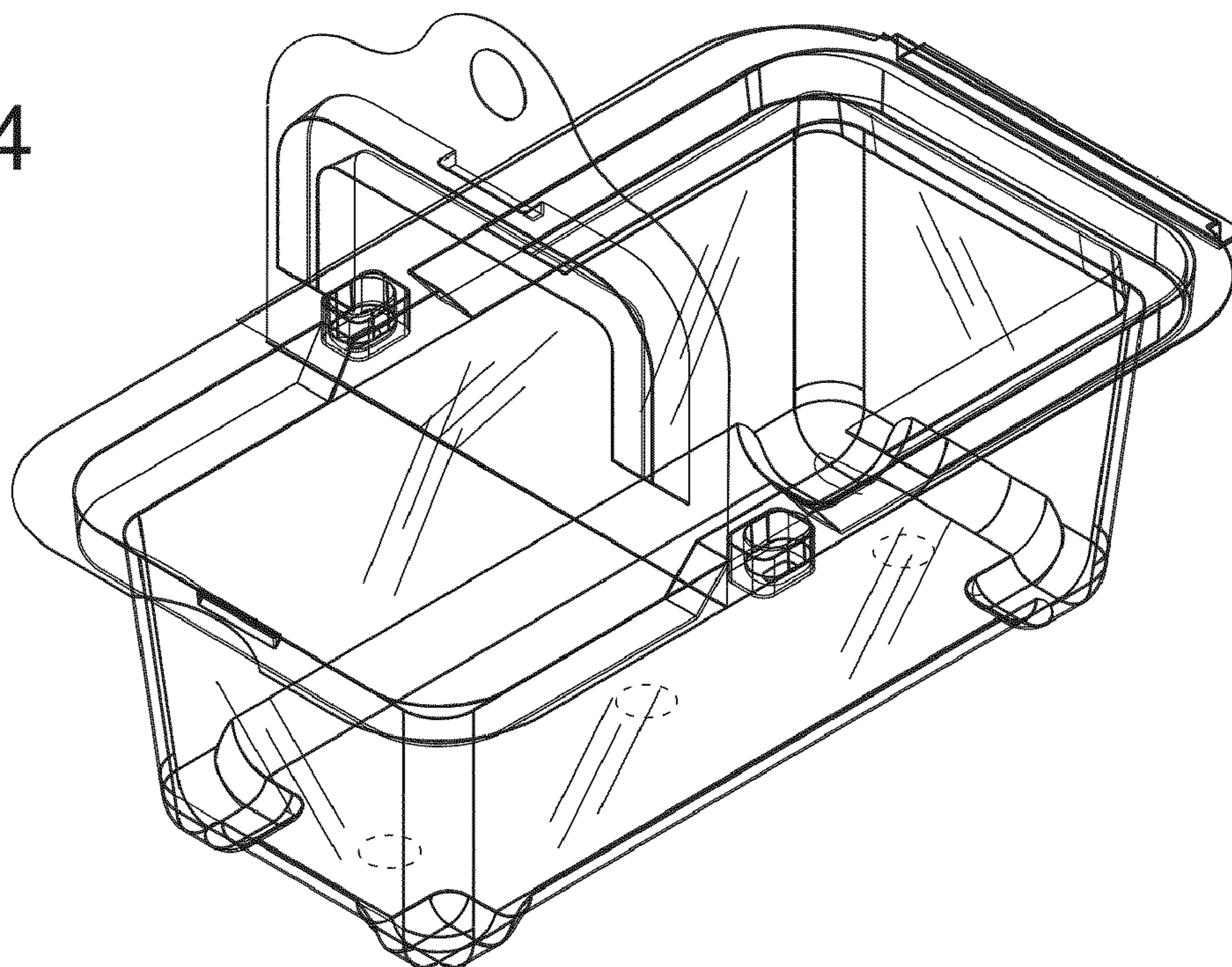


Fig. 4



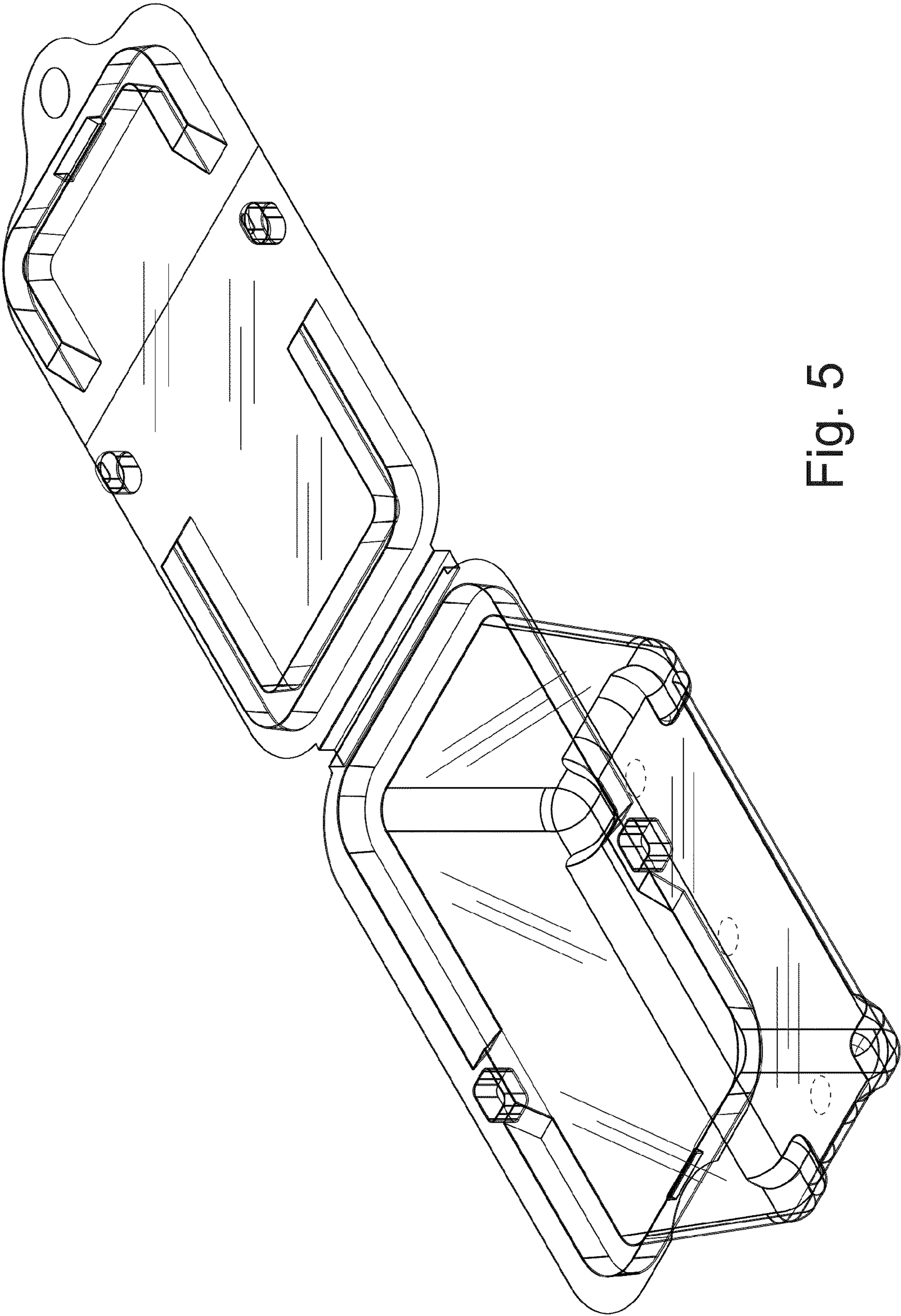


Fig. 5

Fig. 6

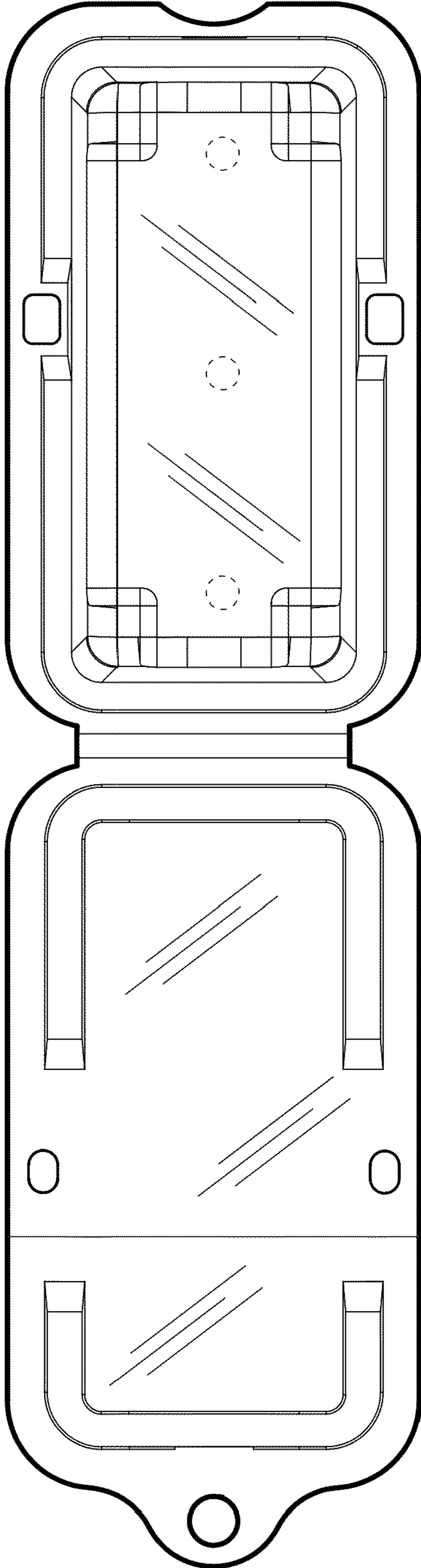


Fig. 7

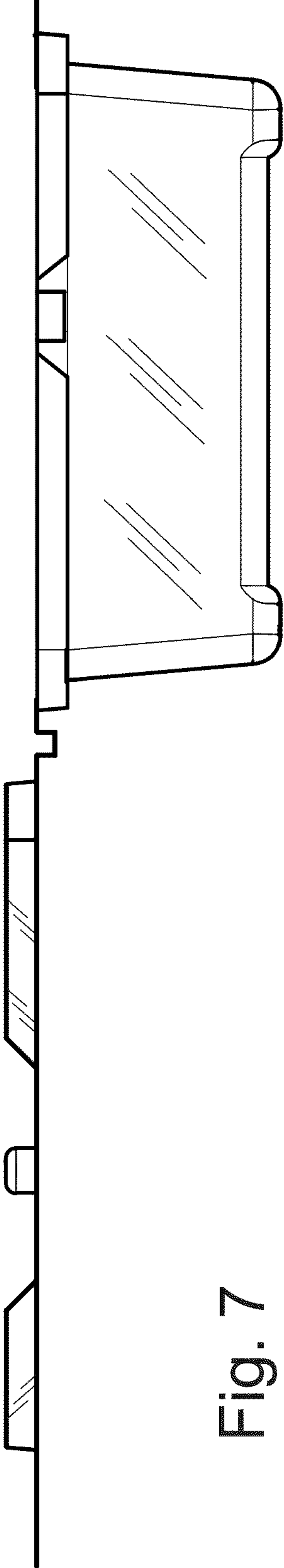


Fig. 8

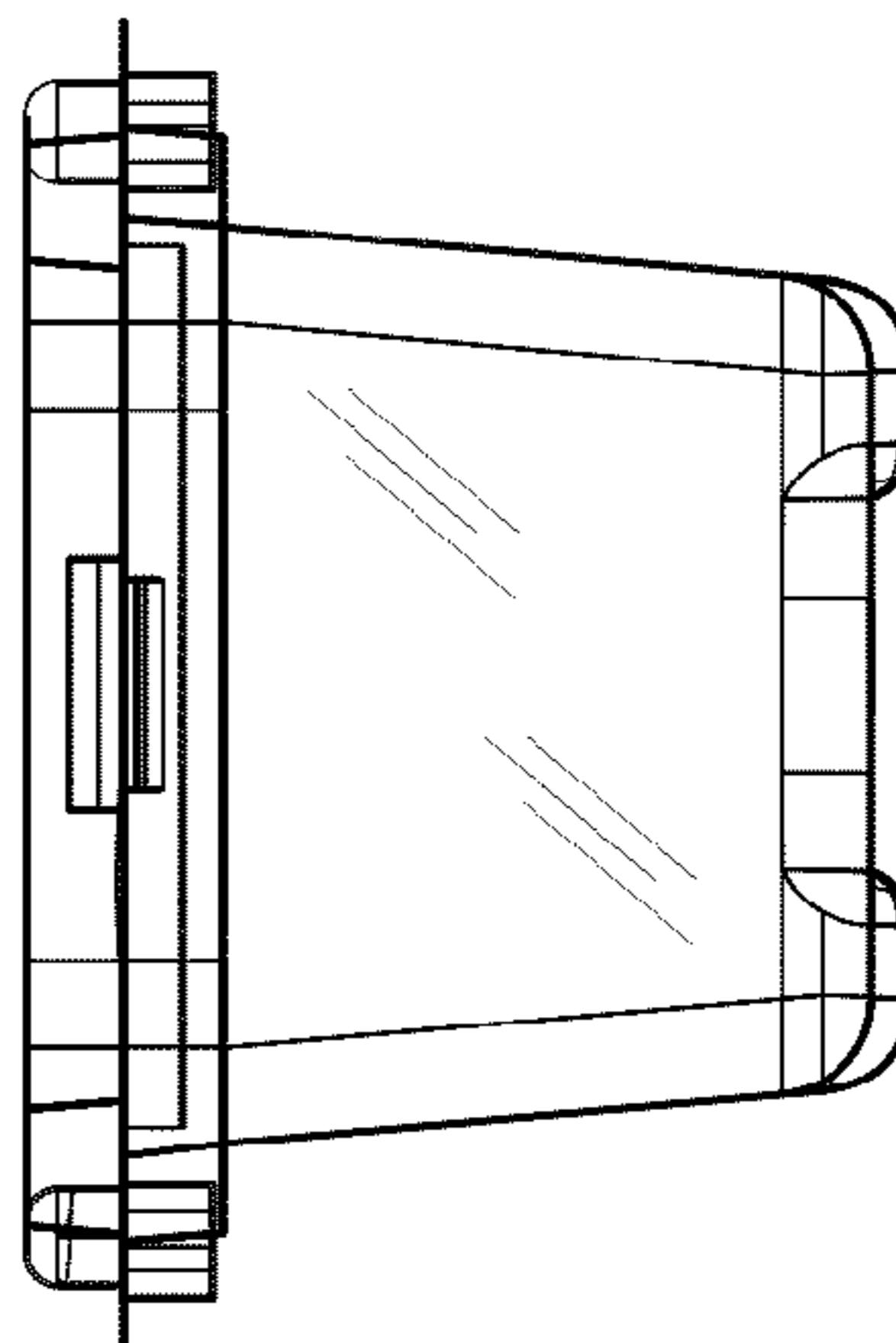
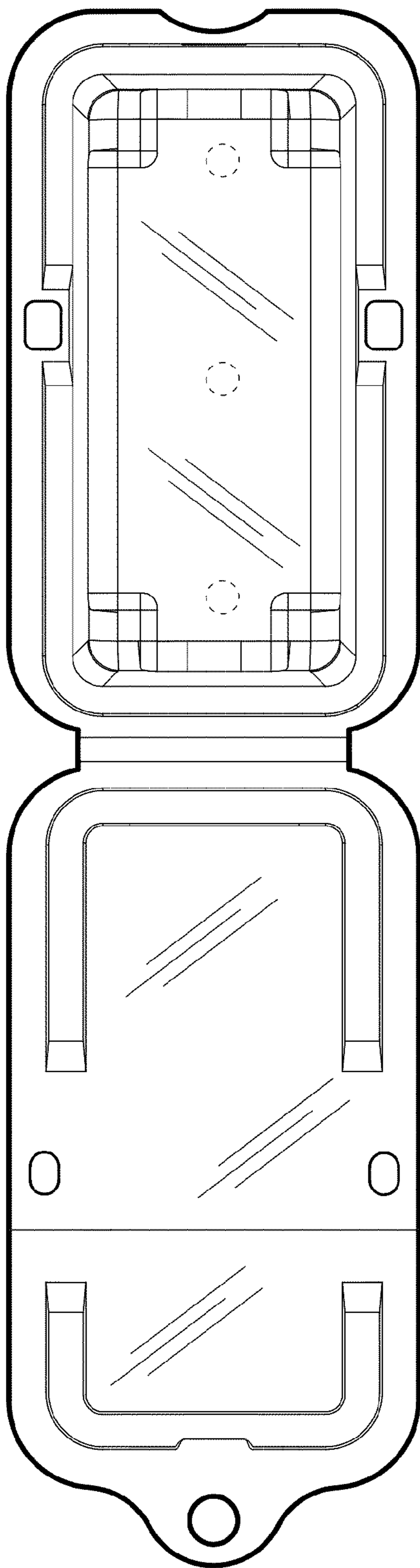


Fig. 9

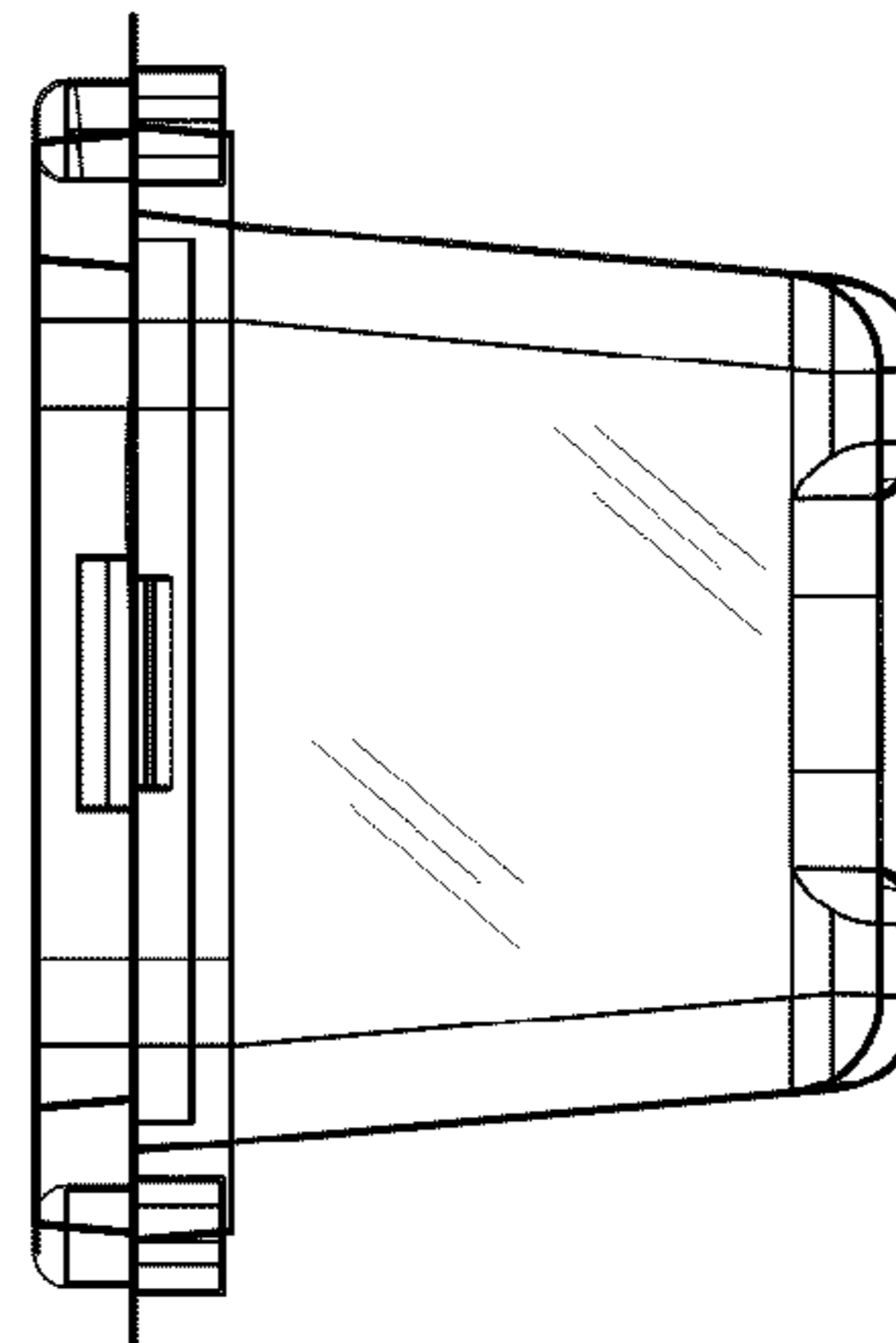


Fig. 10