



US00D631336S

(12) **United States Design Patent**
Toumei

(10) **Patent No.:** **US D631,336 S**
(45) **Date of Patent:** **** Jan. 25, 2011**

(54) **SELF-PIERCING NUT**

(75) Inventor: **Yoshikazu Toumei**, Osaka (JP)

(73) Assignee: **Shinjo Manufacturing Co., Ltd.**, Osaka (JP)

(**) Term: **14 Years**

(21) Appl. No.: **29/362,558**

(22) Filed: **May 27, 2010**

(30) **Foreign Application Priority Data**

Dec. 1, 2009 (JP) 2009-27990

(51) **LOC (9) Cl.** **08-08**

(52) **U.S. Cl.** **D8/399; D8/397**

(58) **Field of Classification Search** D8/397,
D8/399, 394, 382, 349, 8, 323; D15/138;
D23/262, 259; 411/432, 108, 353, 404, 410,
411/919, 147, 957, 534; 137/383; D21/488;
405/302.1, 259.1

See application file for complete search history.

(56) **References Cited**

U.S. PATENT DOCUMENTS

- 168,483 A * 10/1875 Hamilton 411/88
- 392,731 A * 11/1888 Howes 238/260
- D29,517 S * 10/1898 Larew D8/399
- D367,002 S * 2/1996 Grey D8/397
- 5,890,857 A * 4/1999 Herrera 411/11
- D415,411 S * 10/1999 Mensour et al. D8/397

- D451,375 S * 12/2001 Shinjo et al. D8/397
- D451,376 S * 12/2001 Shinjo et al. D8/397
- D451,791 S * 12/2001 Shinjo et al. D8/397
- D453,000 S * 1/2002 Shinjo et al. D8/397
- D551,960 S * 10/2007 Shinjo D8/397
- D551,972 S * 10/2007 Jacobs et al. D9/445
- 7,568,874 B2 * 8/2009 Riedel et al. 411/435

* cited by examiner

Primary Examiner—Cynthia Underwood

(74) *Attorney, Agent, or Firm*—Antonelli, Terry, Stout & Kraus, LLP.

(57) **CLAIM**

The ornamental design for the a self-piercing nut, as shown and described.

DESCRIPTION

FIG. 1 is a perspective view of the self-piercing nut;
 FIG. 2 is a perspective view taken bottom side thereof;
 FIG. 3 is a front elevation thereof, the rear elevation being identical;
 FIG. 4 is a right-side elevation thereof, the left-side elevation being identical;
 FIG. 5 is a top plan view thereof;
 FIG. 6 is a bottom plan view thereof;
 FIG. 7 is a cross section taken along the line 7—7 in FIG. 5; and,
 FIG. 8 is a side elevation taken along the line 8—8 in FIG. 5

1 Claim, 2 Drawing Sheets

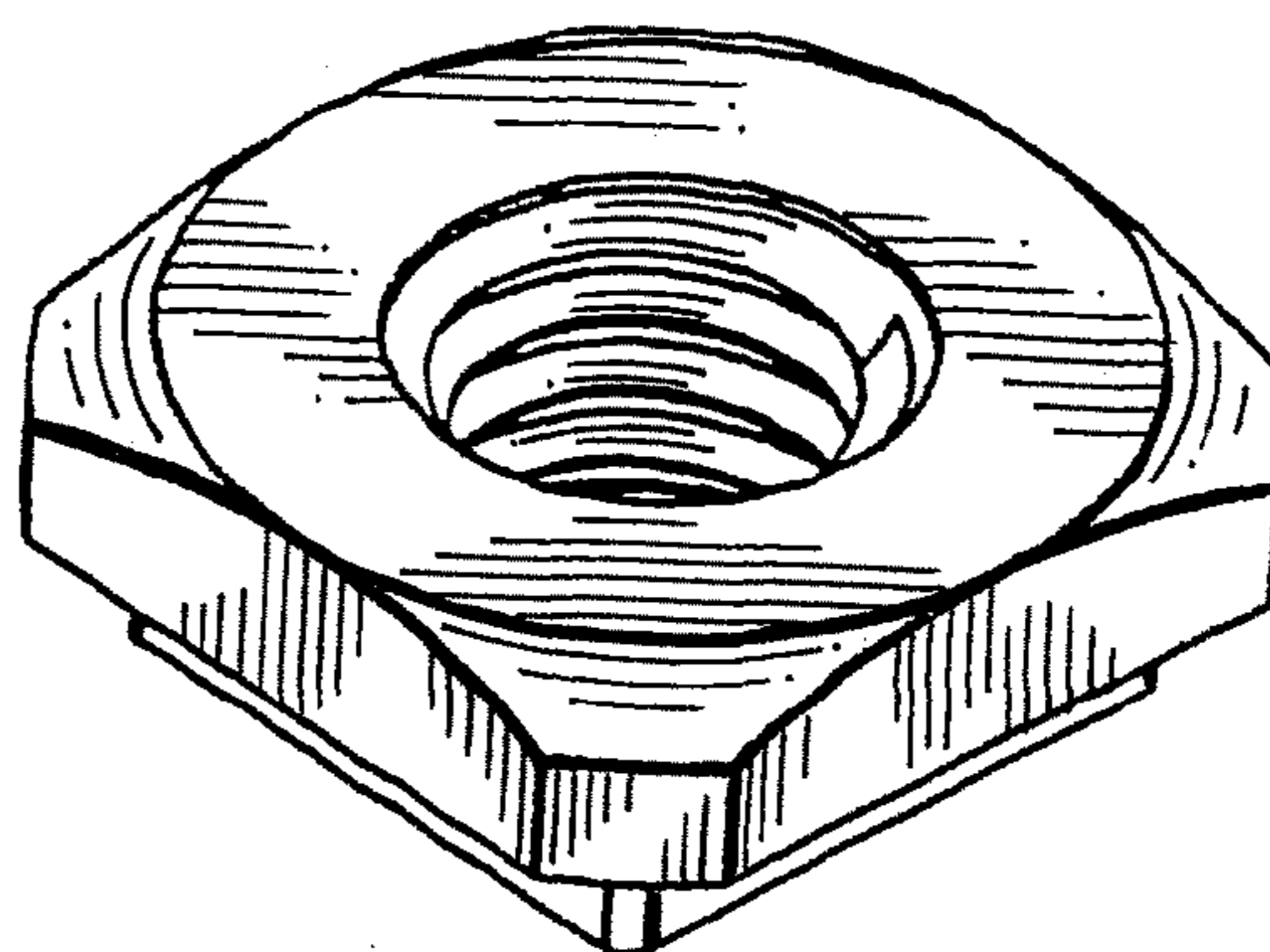
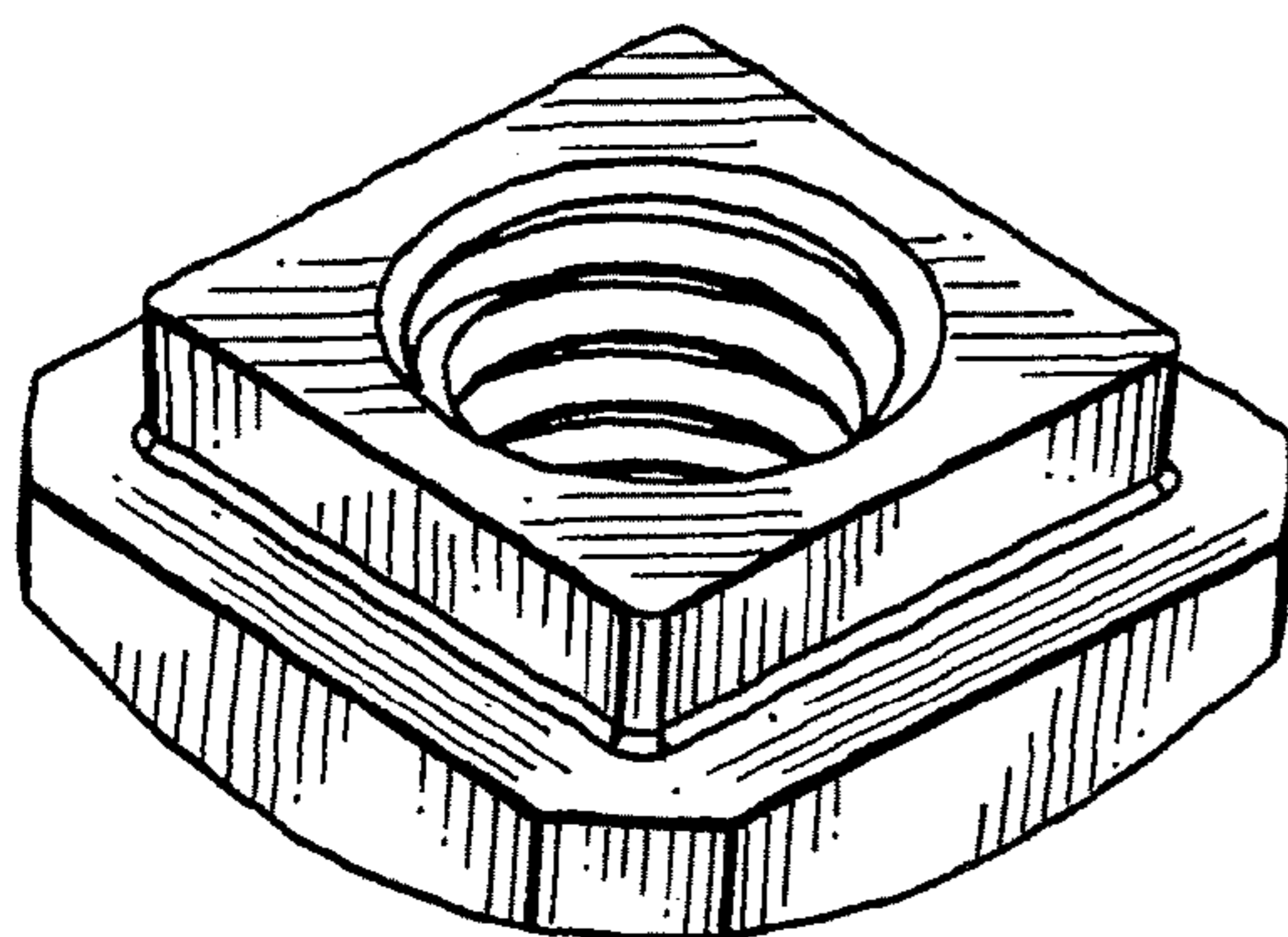


Fig. 1

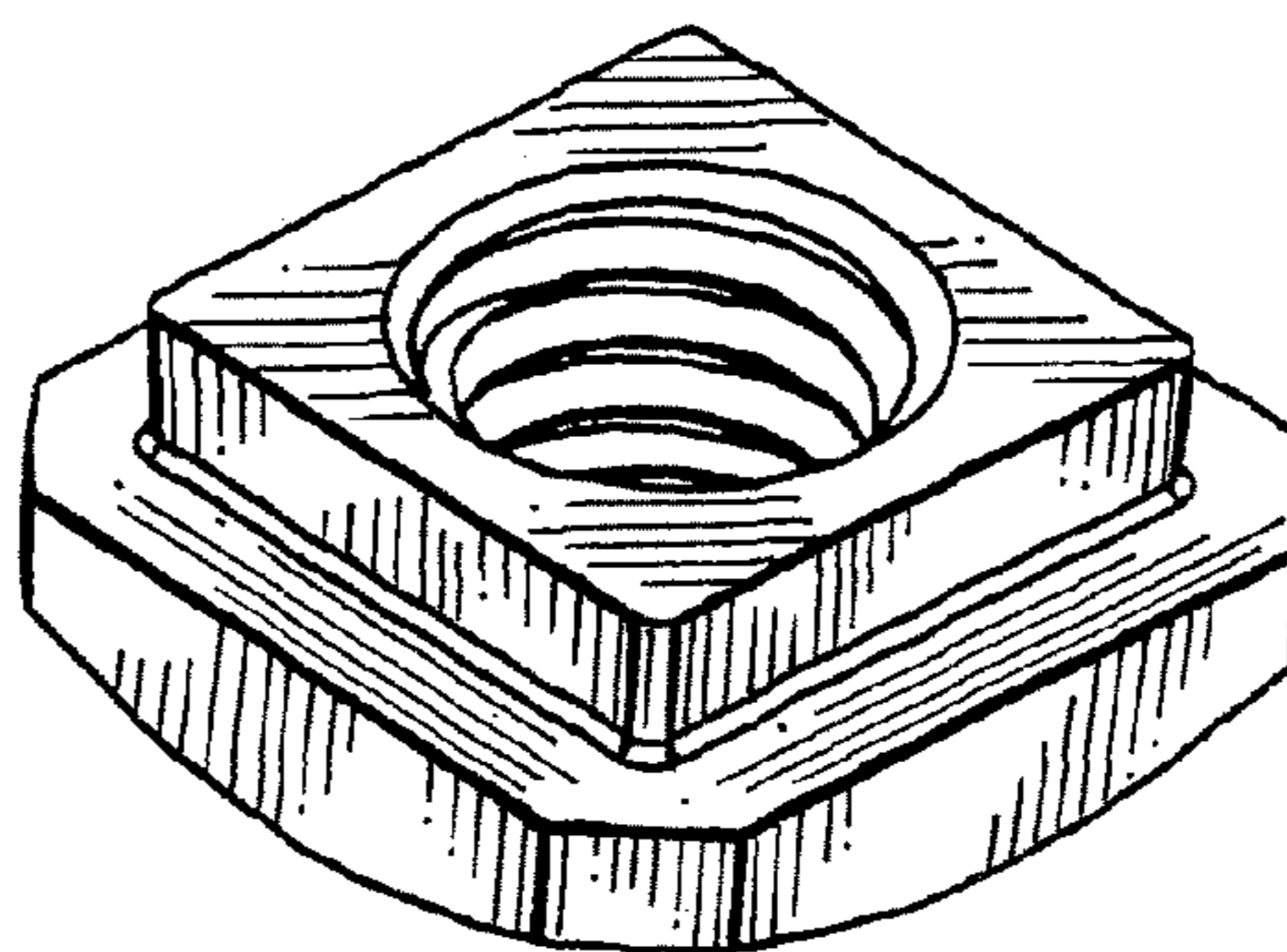


Fig. 2

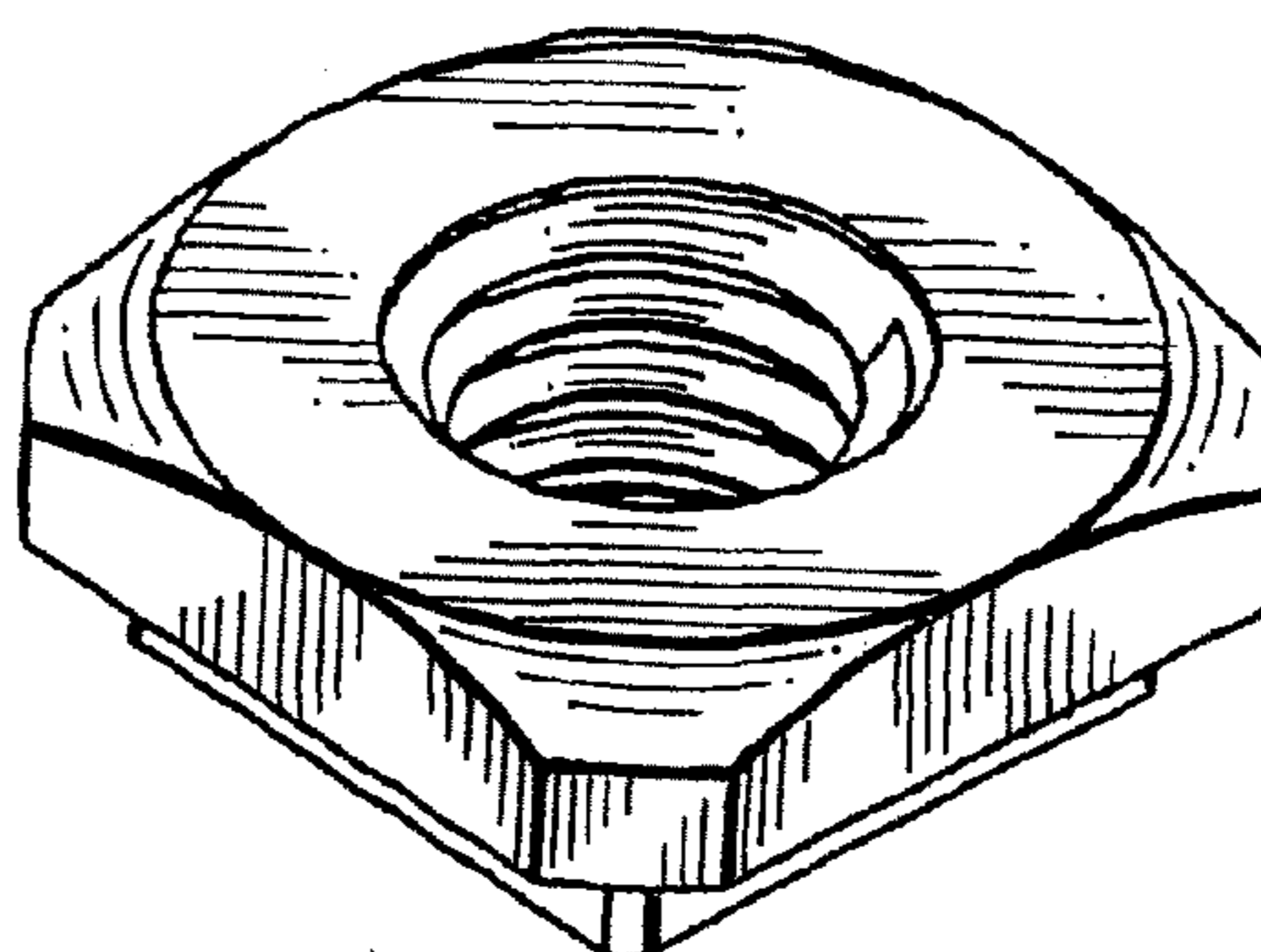


Fig. 3

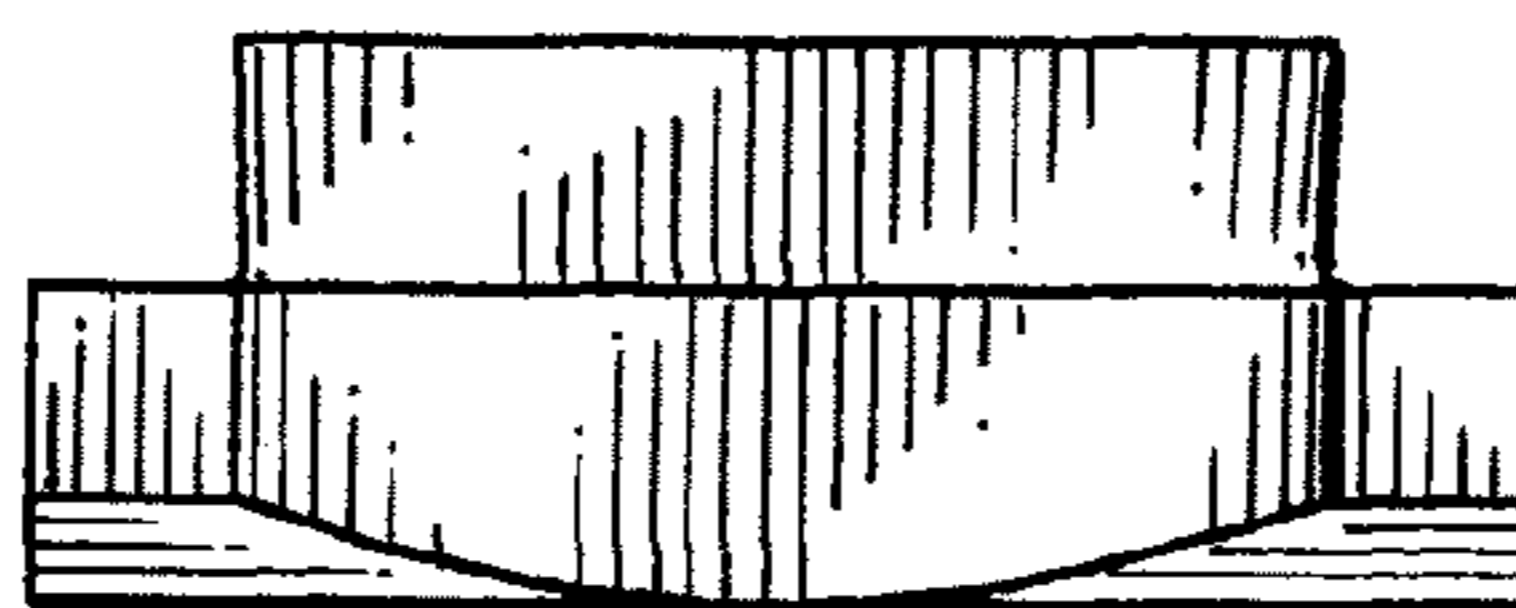


Fig. 4

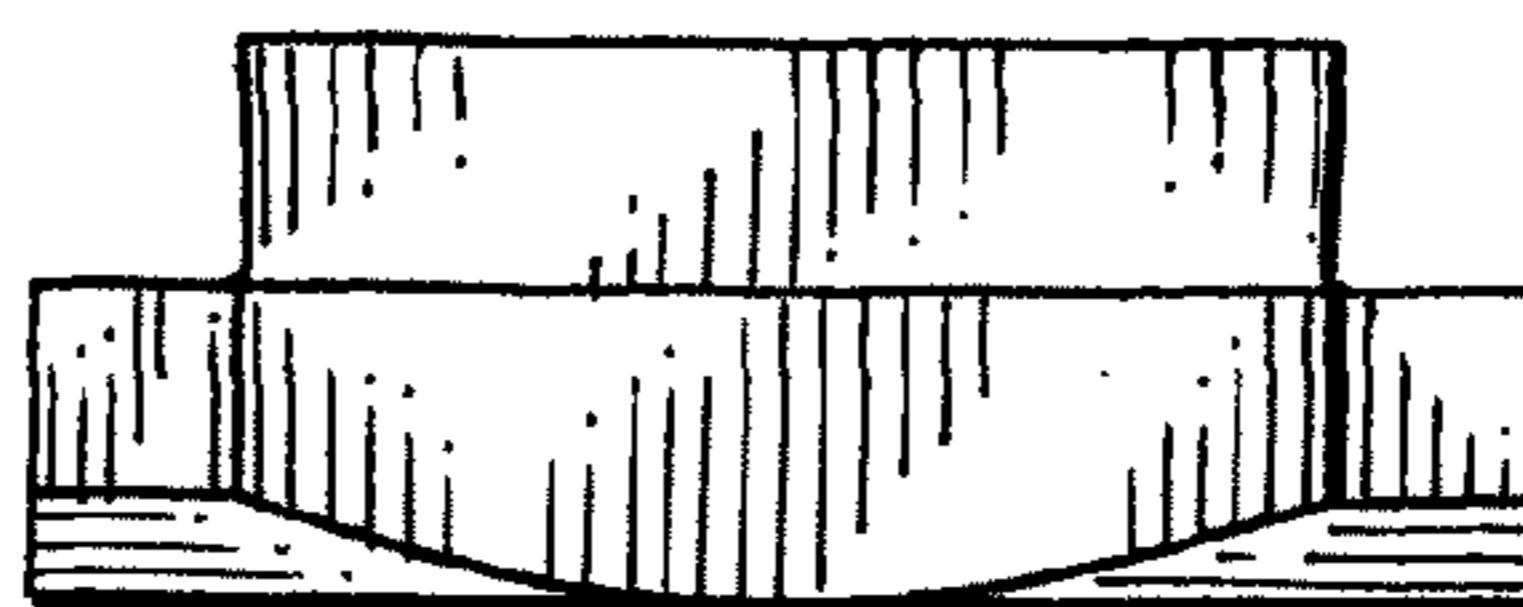


Fig. 5

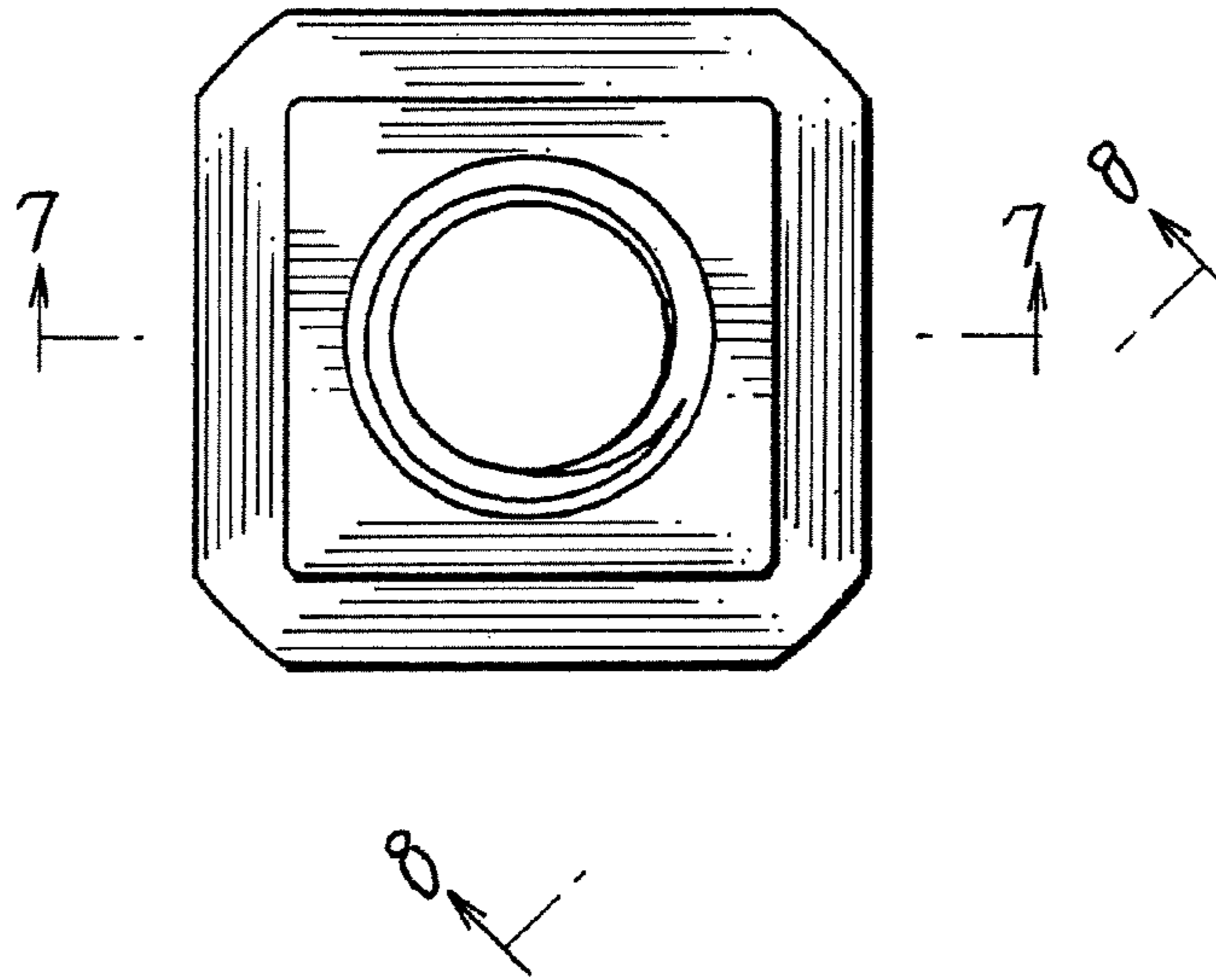


Fig. 6

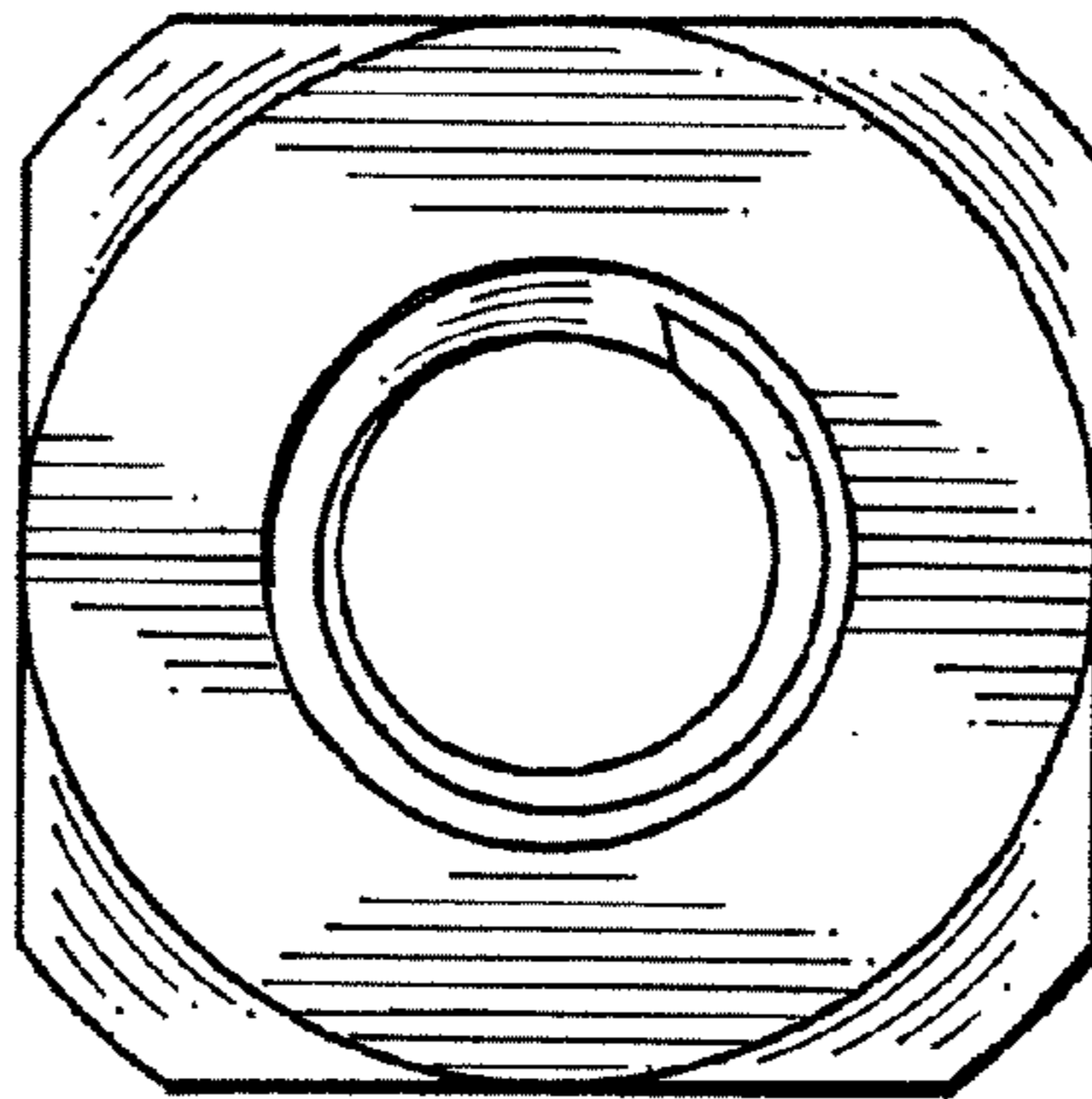


Fig. 7



Fig. 8

