



US00D631334S

(12) **United States Design Patent**  
**Goodman et al.**

(10) **Patent No.:** **US D631,334 S**  
(45) **Date of Patent:** **\*\* Jan. 25, 2011**

(54) **FLOWER HOOK**  
(75) Inventors: **Sheldon H. Goodman**, Solon, OH (US);  
**Omer I. Sazir**, Cleveland, OH (US)  
(73) Assignee: **Spectrum Diversified Designs, Inc.**,  
Streetsboro, OH (US)

D477,526 S \* 7/2003 Goodman et al. .... D8/370  
D478,450 S 8/2003 Howard  
D481,928 S \* 11/2003 Goodman et al. .... D8/372  
D482,600 S 11/2003 Dretzka  
D492,581 S \* 7/2004 Fahy et al. .... D8/378  
D557,120 S 12/2007 Snell  
D576,021 S 9/2008 Goodman et al.  
D587,936 S 3/2009 Johnson

(\*\*) Term: **14 Years**  
(21) Appl. No.: **29/366,419**  
(22) Filed: **Jul. 24, 2010**

\* cited by examiner  
*Primary Examiner*—Cynthia Underwood  
(74) *Attorney, Agent, or Firm*—Pearne & Gordon LLP

(51) **LOC (9) Cl.** ..... **08-05**  
(52) **U.S. Cl.** ..... **D8/367**  
(58) **Field of Classification Search** ..... D8/356,  
D8/354, 349, 359, 358; 174/135; 248/89,  
248/75; 385/135, 134, 60, 62; 52/220.1,  
52/74.1; D13/156; D19/34; D32/31; D29/129;  
222/113; 29/426.5; 446/372, 385; 15/323;  
206/373; 220/735  
See application file for complete search history.

(57) **CLAIM**

The ornamental design for a flower hook, as shown and described.

**DESCRIPTION**

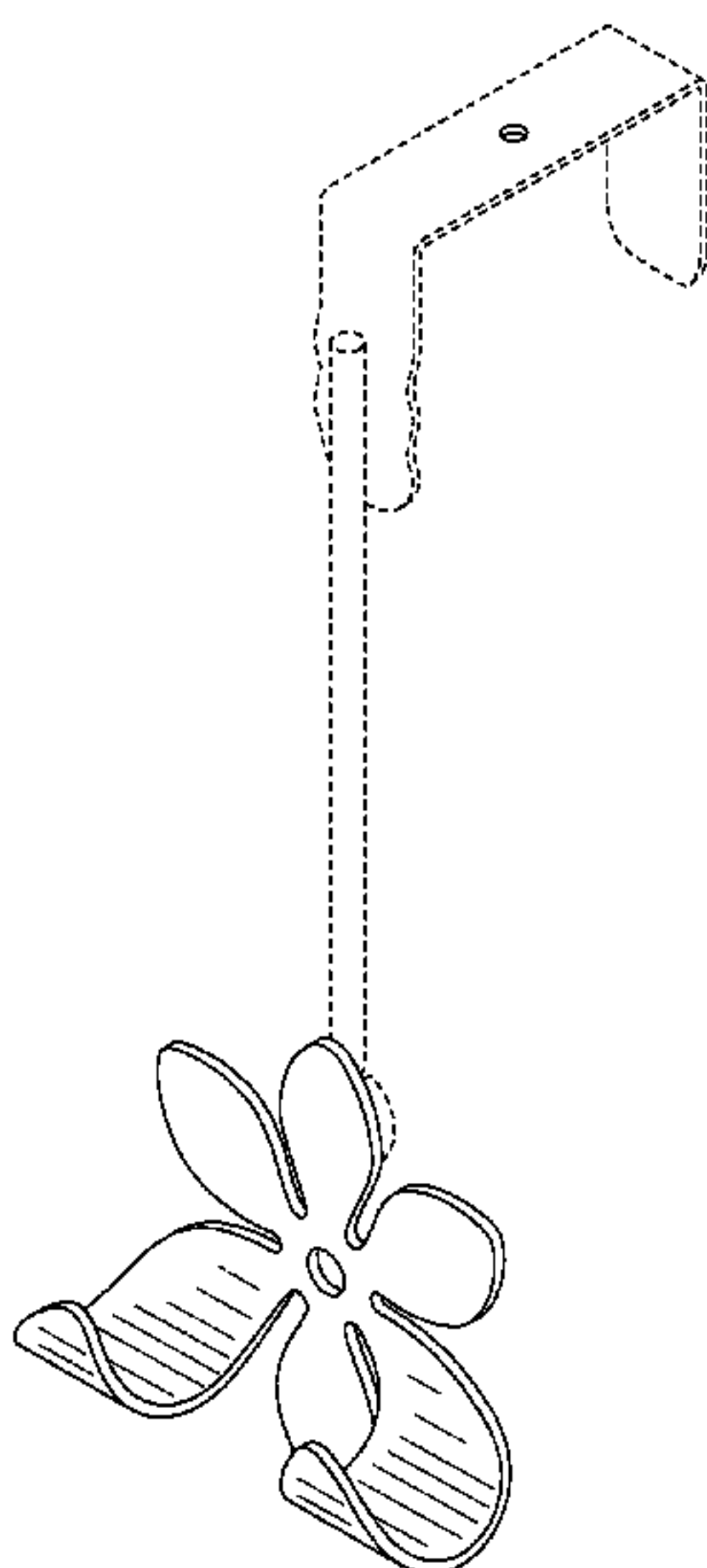
FIG. 1 is a perspective view of an flower hook showing our new design;  
FIG. 2 is a top plan view thereof;  
FIG. 3 is a front elevational view thereof;  
FIG. 4 is a right side elevational view thereof, the left side elevational view being a mirror image;  
FIG. 5 is a rear elevational view thereof;  
FIG. 6 is a bottom plan view thereof;  
FIG. 7 is a perspective view of a second embodiment of the design shown in FIG. 1;  
FIG. 8 is a top plan view thereof;  
FIG. 9 is a front elevational view thereof;  
FIG. 10 is a bottom plan view thereof;  
FIG. 11 is a right side elevational view thereof, the left side elevational view being a mirror image; and,  
FIG. 12 is a rear elevational view thereof.  
The dotted-line showing in the drawings illustrates environmental matter and forms no part of the claimed design.

(56) **References Cited**

U.S. PATENT DOCUMENTS

D33,497 S \* 11/1900 Williams ..... D8/371  
D150,697 S \* 8/1948 Judd ..... D6/323  
D152,598 S \* 2/1949 Cronen ..... D6/565  
D206,587 S \* 1/1967 Nathanson ..... D8/367  
D331,855 S 12/1992 Kaplan  
D397,568 S \* 9/1998 Jonas ..... D6/546  
D424,351 S \* 5/2000 Hill ..... D6/546  
D427,892 S \* 7/2000 Walters-Dowding et al. . D8/367  
D436,517 S \* 1/2001 Barry ..... D8/354  
D438,714 S 3/2001 Osborne  
D444,377 S 7/2001 Harvey  
D446,658 S 8/2001 Osborne  
D447,680 S \* 9/2001 Kelleghan ..... D8/356  
D467,791 S 12/2002 Goodman et al.  
D468,624 S 1/2003 Goodman et al.  
D468,949 S 1/2003 Howard  
D473,454 S \* 4/2003 Goodman et al. .... D8/370

**1 Claim, 5 Drawing Sheets**



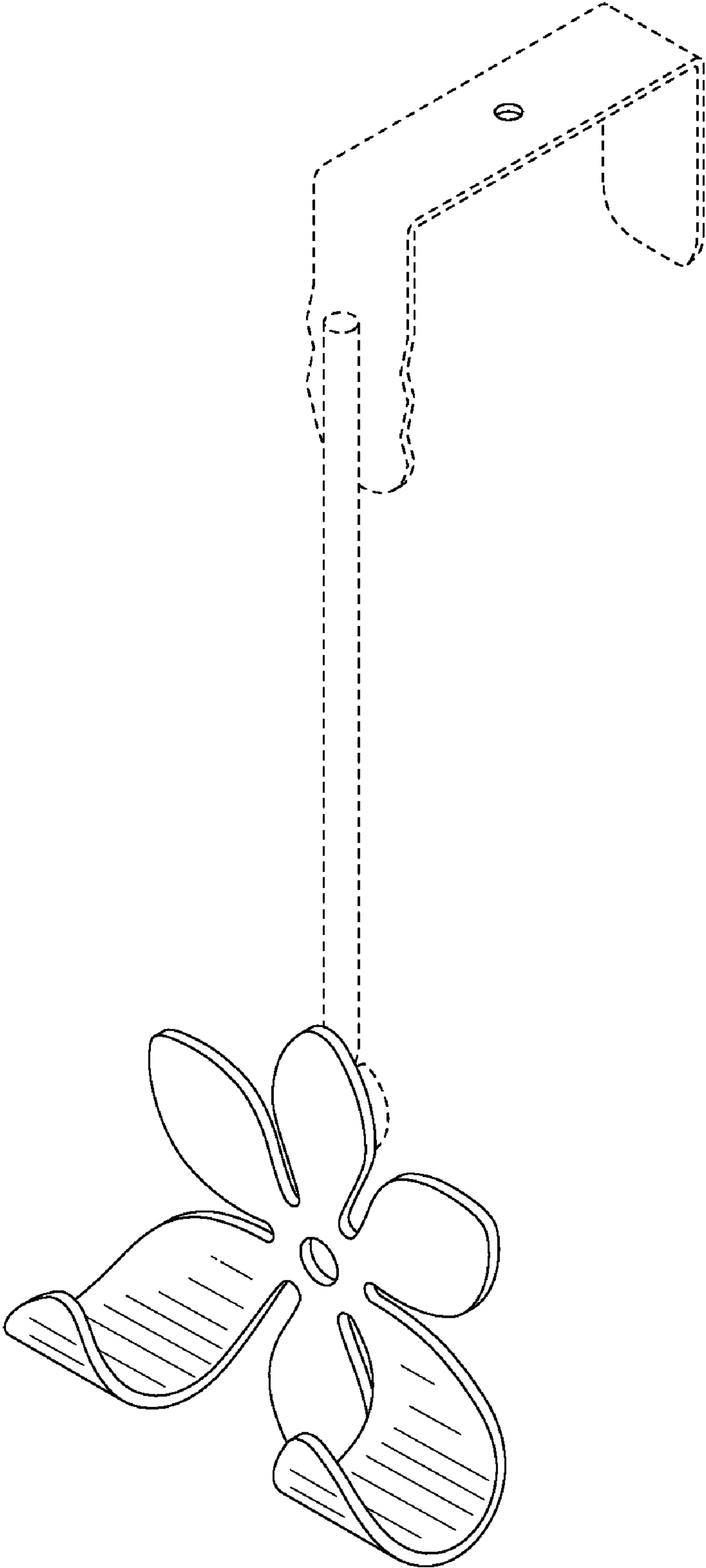
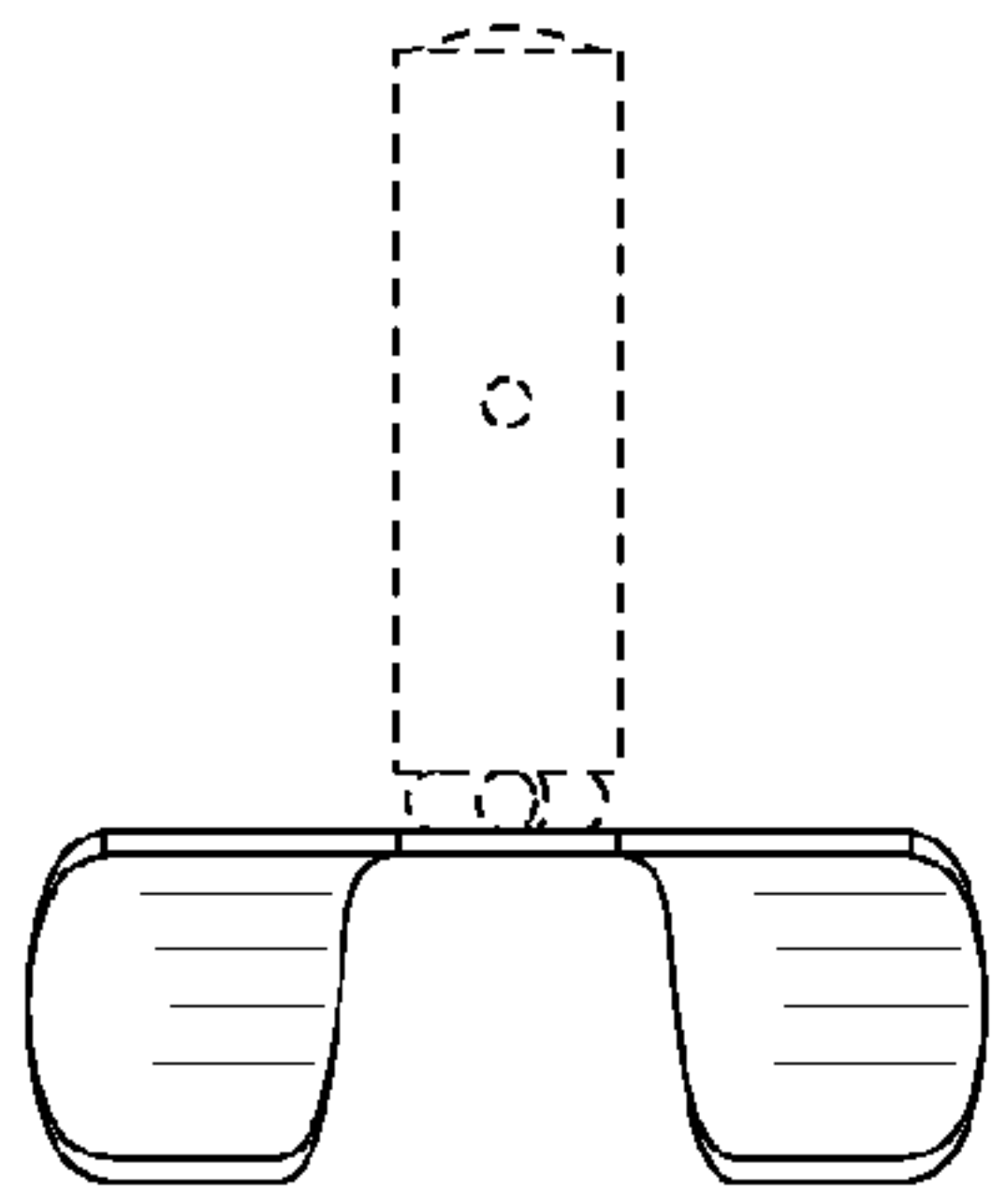
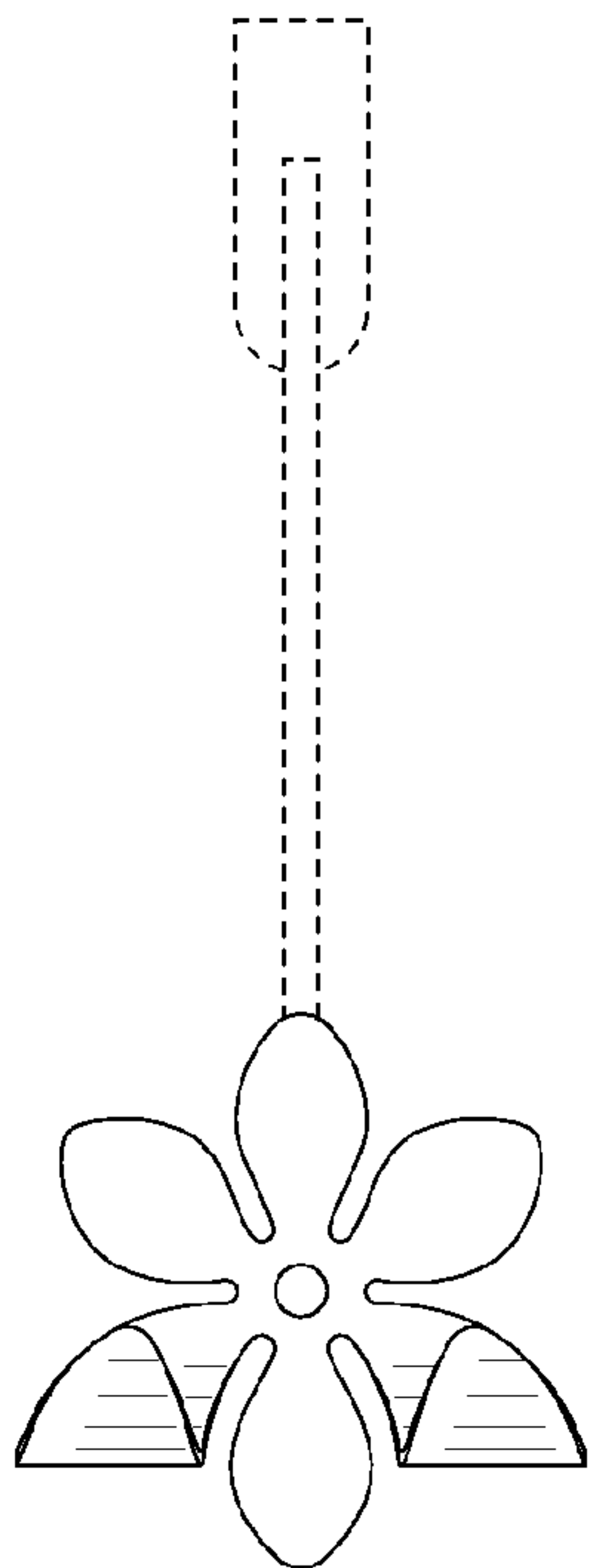


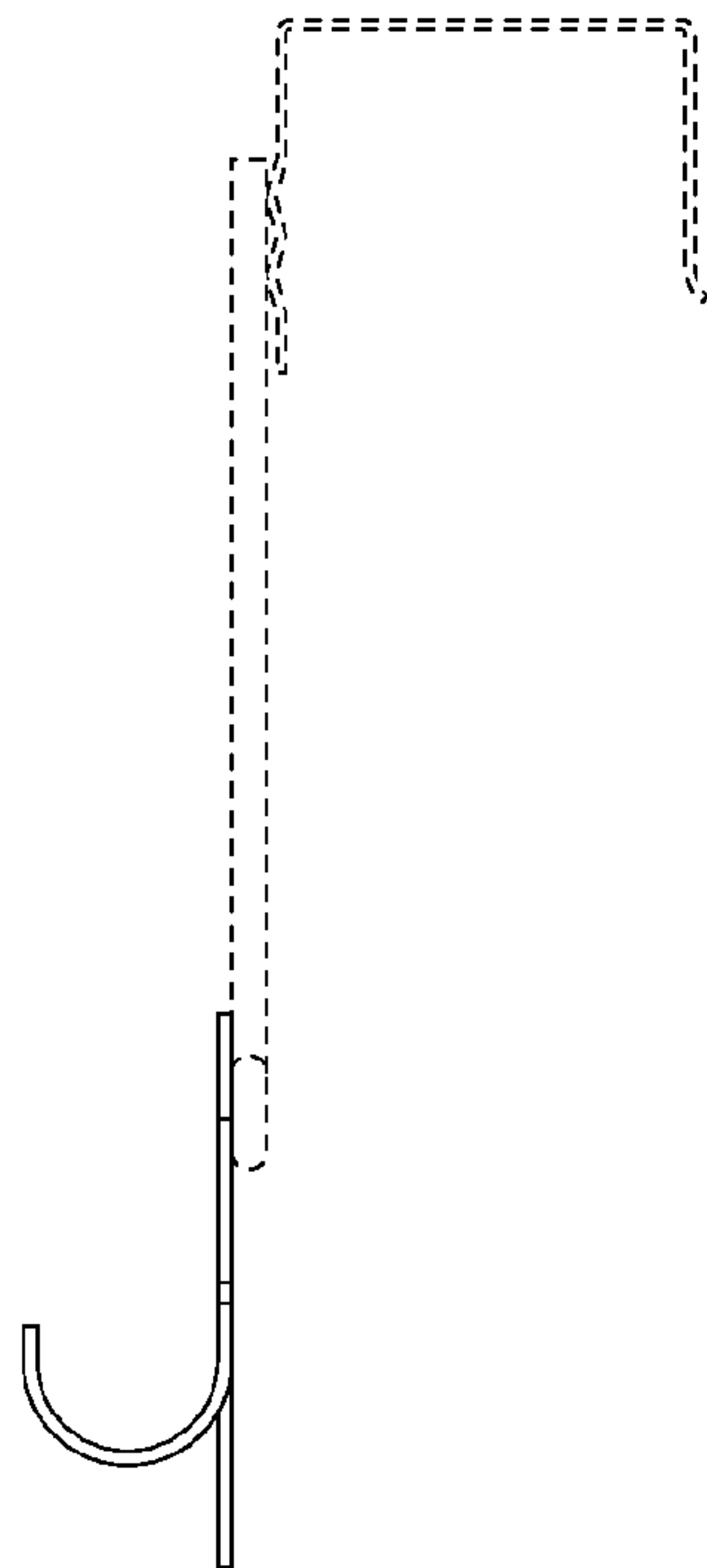
FIG. 1



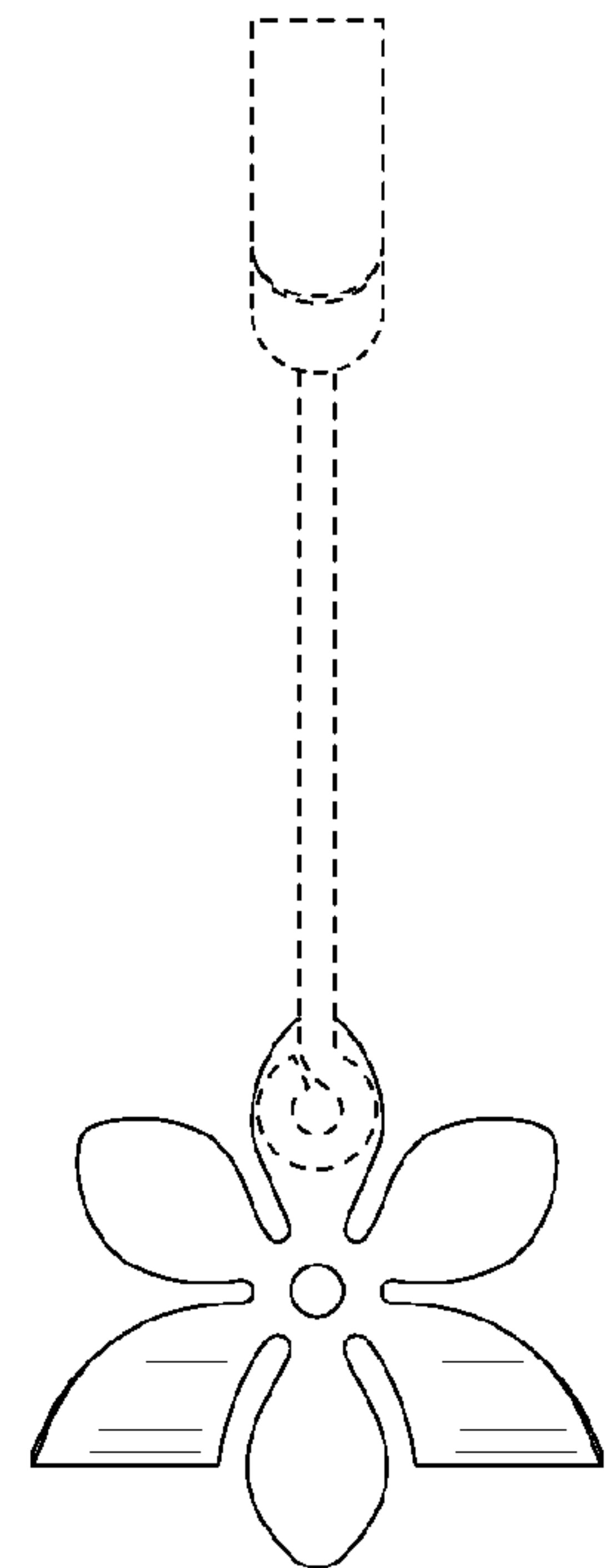
**FIG. 2**



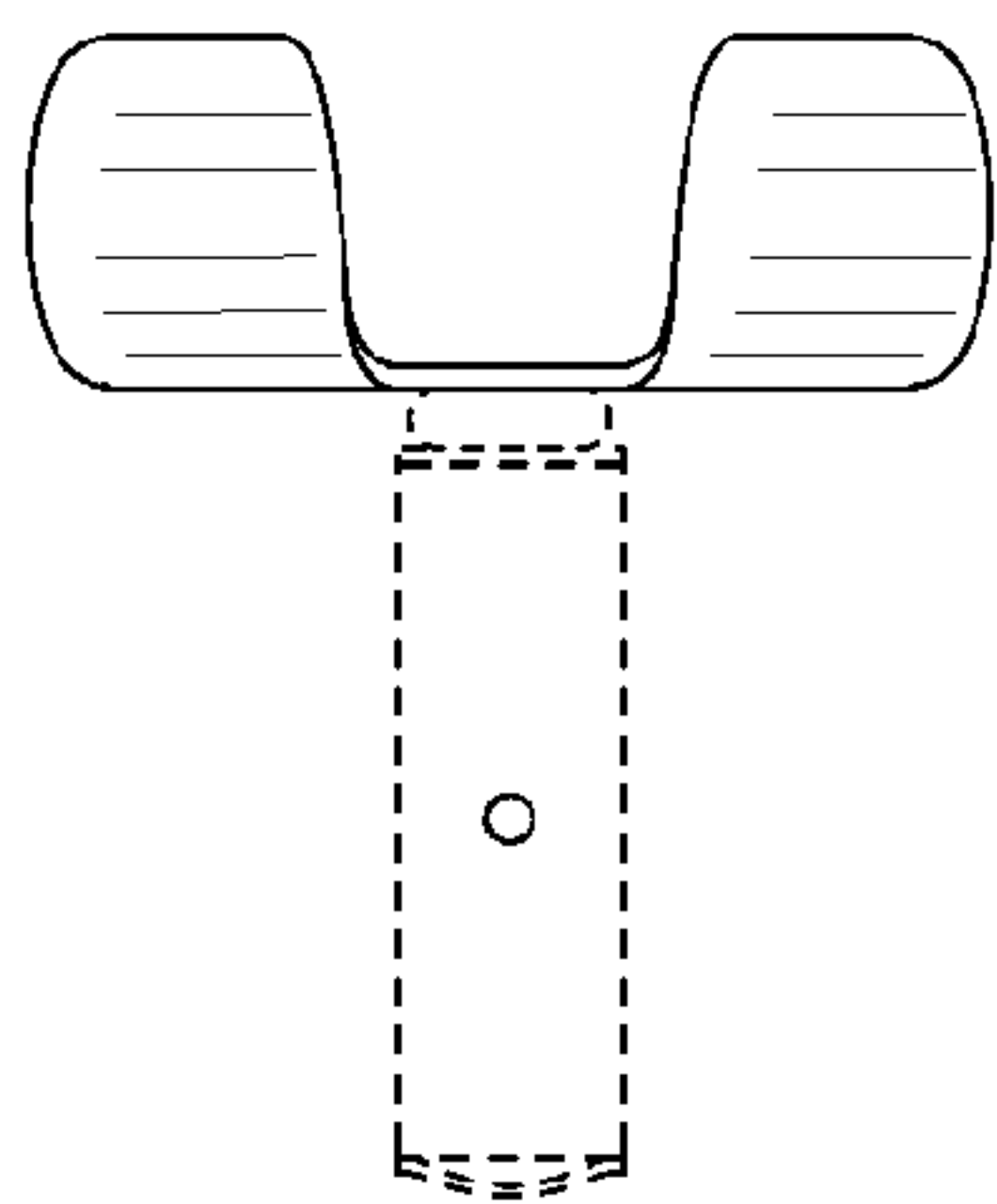
**FIG. 3**



**FIG. 4**



**FIG. 5**



**FIG. 6**

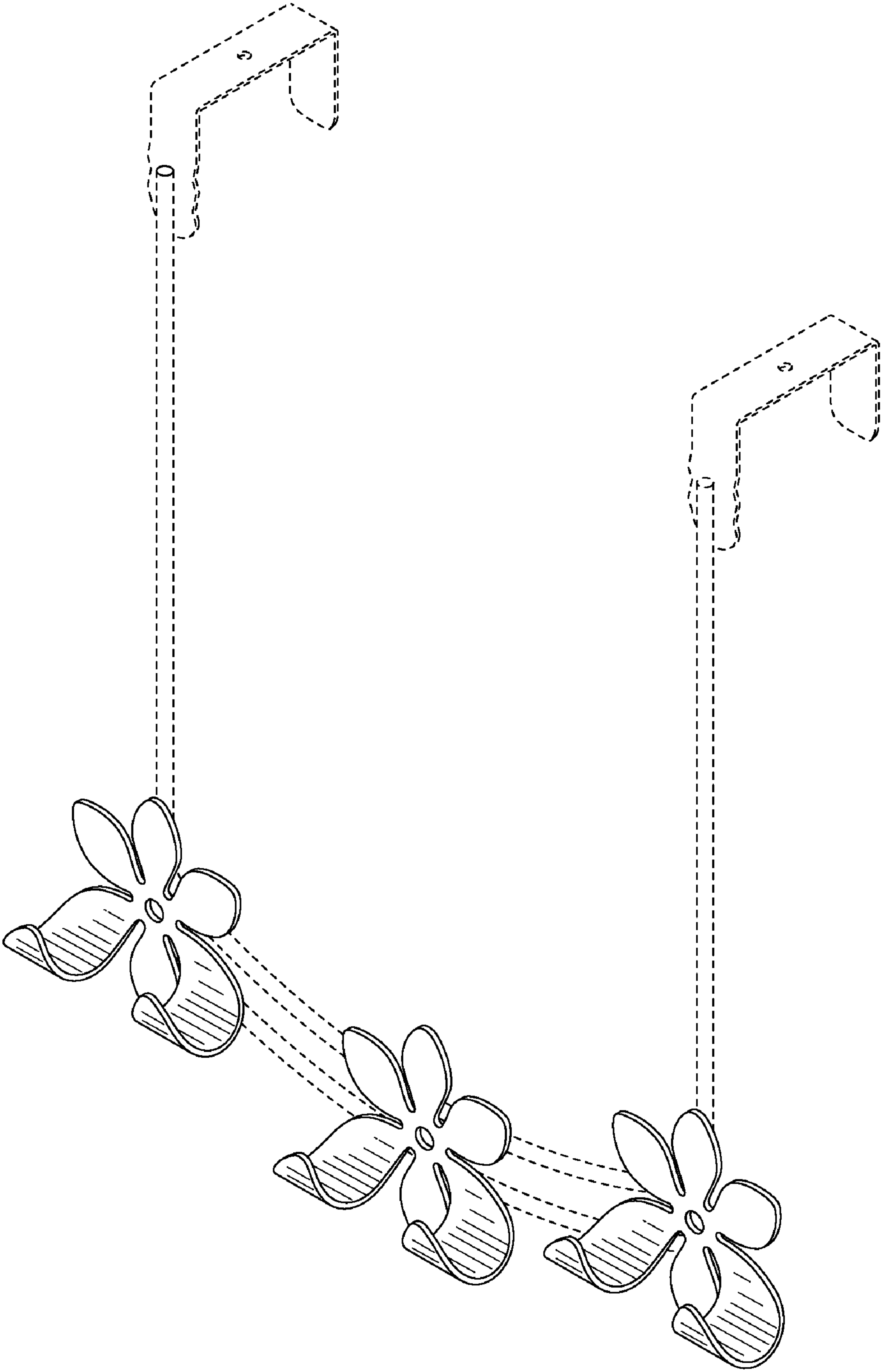
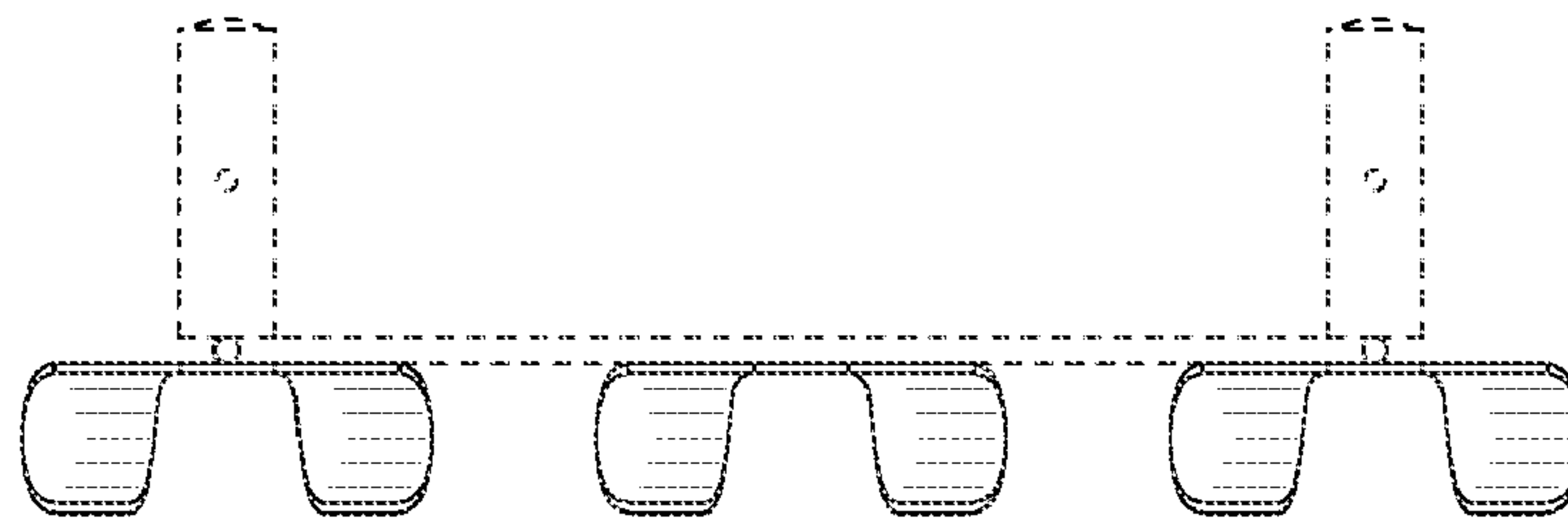
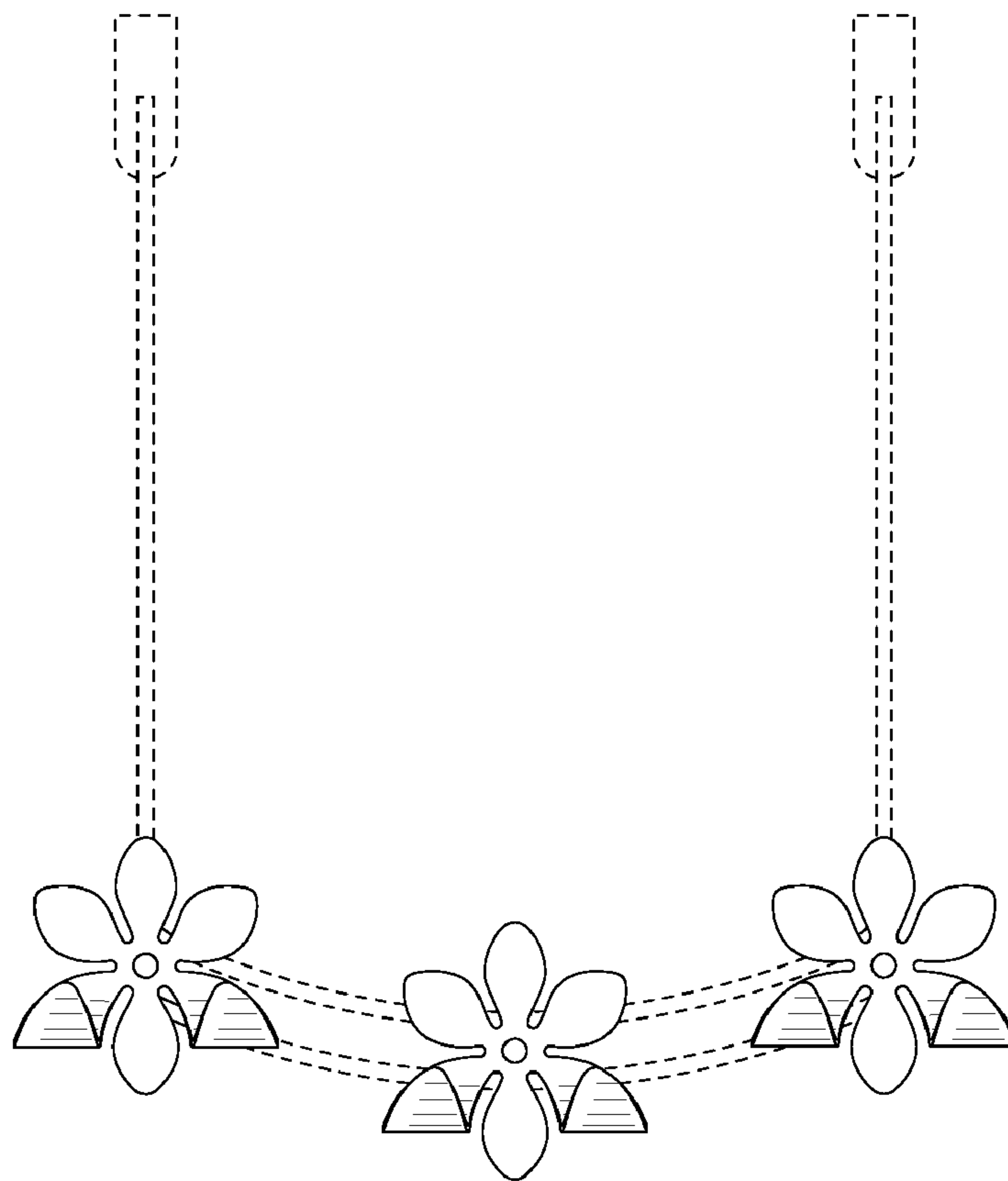


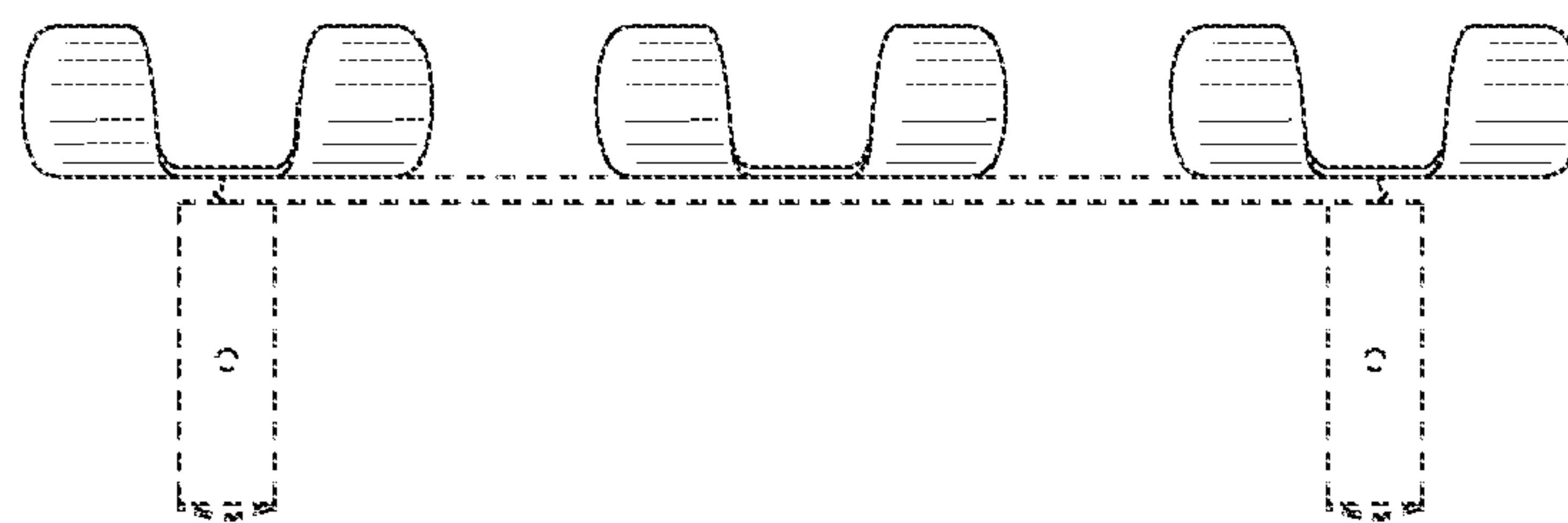
FIG. 7



**FIG. 8**



**FIG. 9**



**FIG. 10**

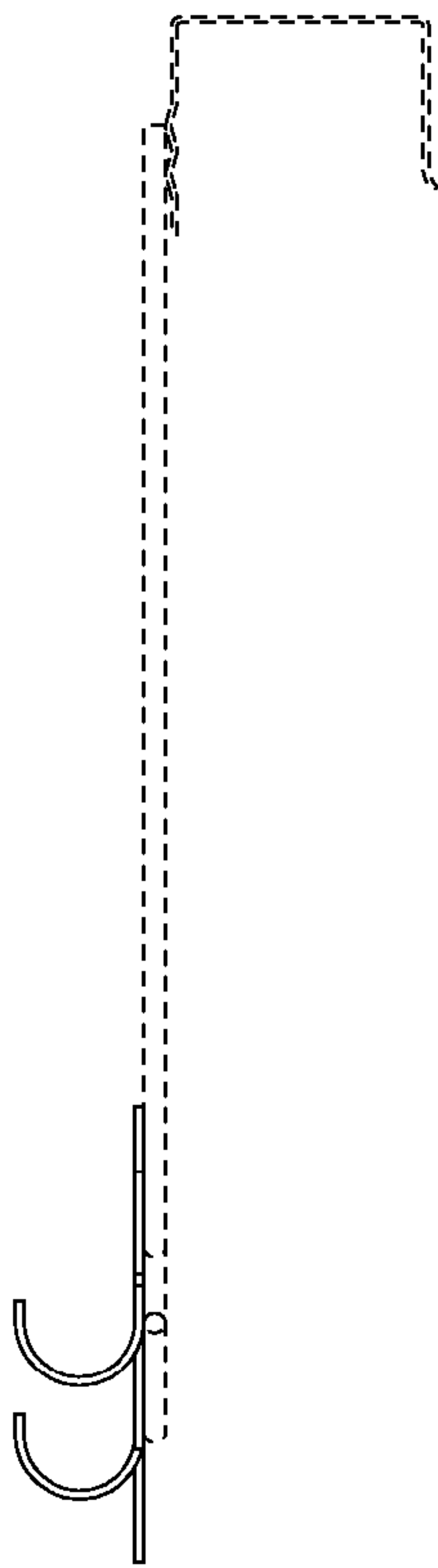


FIG. 11

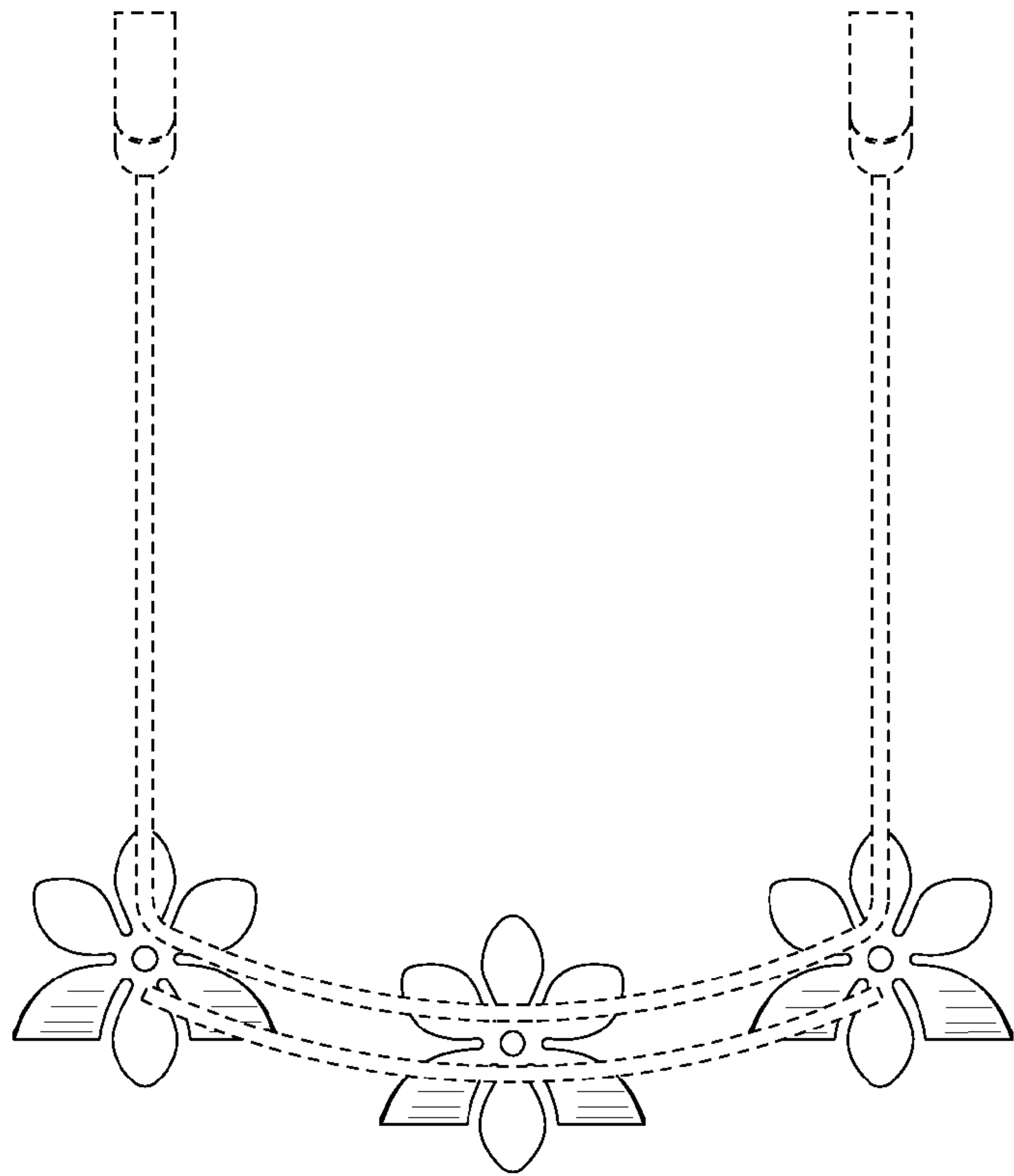


FIG. 12



UNITED STATES PATENT AND TRADEMARK OFFICE  
**CERTIFICATE OF CORRECTION**

PATENT NO. : D631,334 S  
APPLICATION NO. : 29/366419  
DATED : January 25, 2011  
INVENTOR(S) : Sheldon H. Goodman et al.

Page 1 of 4

It is certified that error appears in the above-identified patent and that said Letters Patent is hereby corrected as shown below:

Delete the title page and substitute therefore the attached title page showing the corrected description of figures and number of drawing sheets in patent.

On page 1 of the patent, at Section (57), the description should be amended to read as follows:

--FIG. 1 is a perspective view of a flower hook showing our new design;  
FIG. 2 is a top plan view thereof;  
FIG. 3 is a front elevational view thereof;  
FIG. 4 is a right side elevational view thereof, the left side elevational view being a mirror image;  
FIG. 5 is a rear elevational view thereof; and  
FIG. 6 is a bottom plan view thereof.--.

Delete Drawing Sheets 1-5 and substitute therefore the attached Drawing Sheets 1-2 consisting of Figs. 1-6.

Drawing FIGS. 7 through 12 are to be deleted from the patent.

Signed and Sealed this  
Nineteenth Day of April, 2011

A handwritten signature in black ink that reads "David J. Kappos". The signature is written in a cursive, slightly slanted style.

David J. Kappos  
*Director of the United States Patent and Trademark Office*

(12) **United States Design Patent**  
**Goodman et al.**

(10) **Patent No.:** **US D631,334 S**  
(45) **Date of Patent:** **\*\* Jan. 25, 2011**

(54) **FLOWER HOOK**

(75) Inventors: **Sheldon H. Goodman**, Solon, OH (US);  
**Omer I. Sazir**, Cleveland, OH (US)

(73) Assignee: **Spectrum Diversified Designs, Inc.**,  
Streetsboro, OH (US)

(\*\*) Term: **14 Years**

(21) Appl. No.: **29/366,419**

(22) Filed: **Jul. 24, 2010**

(51) **LOC (9) Cl.** ..... **08-05**

(52) **U.S. Cl.** ..... **D8/367**

(58) **Field of Classification Search** ..... **D8/356,**  
**D8/354, 349, 359, 358; 174/135; 248/89,**  
**248/75; 385/135, 134, 60, 62; 52/220.1,**  
**52/74.1; D13/156; D19/34; D32/31; D29/129;**  
**222/113; 29/426.5; 446/372, 385; 15/323;**  
**206/373; 220/735**

See application file for complete search history.

(56) **References Cited**

**U.S. PATENT DOCUMENTS**

D33,497 S *	11/1900	Williams	.....	D8/371
D150,697 S *	8/1948	Judd	.....	D6/323
D152,598 S *	2/1949	Cronen	.....	D6/565
D206,587 S *	1/1967	Nathanson	.....	D8/367
D331,855 S	12/1992	Kaplan	.....	
D397,568 S *	9/1998	Jonas	.....	D6/546
D424,351 S *	5/2000	Hill	.....	D6/546
D427,892 S *	7/2000	Walters-Dowding et al.	.....	D8/367
D436,517 S *	1/2001	Barry	.....	D8/354
D438,714 S	3/2001	Osborne	.....	
D444,377 S	7/2001	Harvey	.....	
D446,658 S	8/2001	Osborne	.....	
D447,680 S *	9/2001	Kelleghan	.....	D8/356
D467,791 S	12/2002	Goodman et al.	.....	
D468,624 S	1/2003	Goodman et al.	.....	
D468,949 S	1/2003	Howard	.....	
D473,454 S *	4/2003	Goodman et al.	.....	D8/370

D477,526 S *	7/2003	Goodman et al.	.....	D8/370
D478,450 S	8/2003	Howard	.....	
D481,928 S *	11/2003	Goodman et al.	.....	D8/372
D482,600 S	11/2003	Dretzka	.....	
D492,581 S *	7/2004	Fahy et al.	.....	D8/378
D557,120 S	12/2007	Snell	.....	
D576,021 S	9/2008	Goodman et al.	.....	
D587,936 S	3/2009	Johnson	.....	

\* cited by examiner

*Primary Examiner* - Cynthia Underwood

(74) *Attorney, Agent, or Firm*—Pearne & Gordon LLP

(57) **CLAIM**

The ornamental design for a flower hook, as shown and described.

**DESCRIPTION**

FIG. 1 is a perspective view of an flower hook showing our new design;

FIG. 2 is a top plan view thereof;

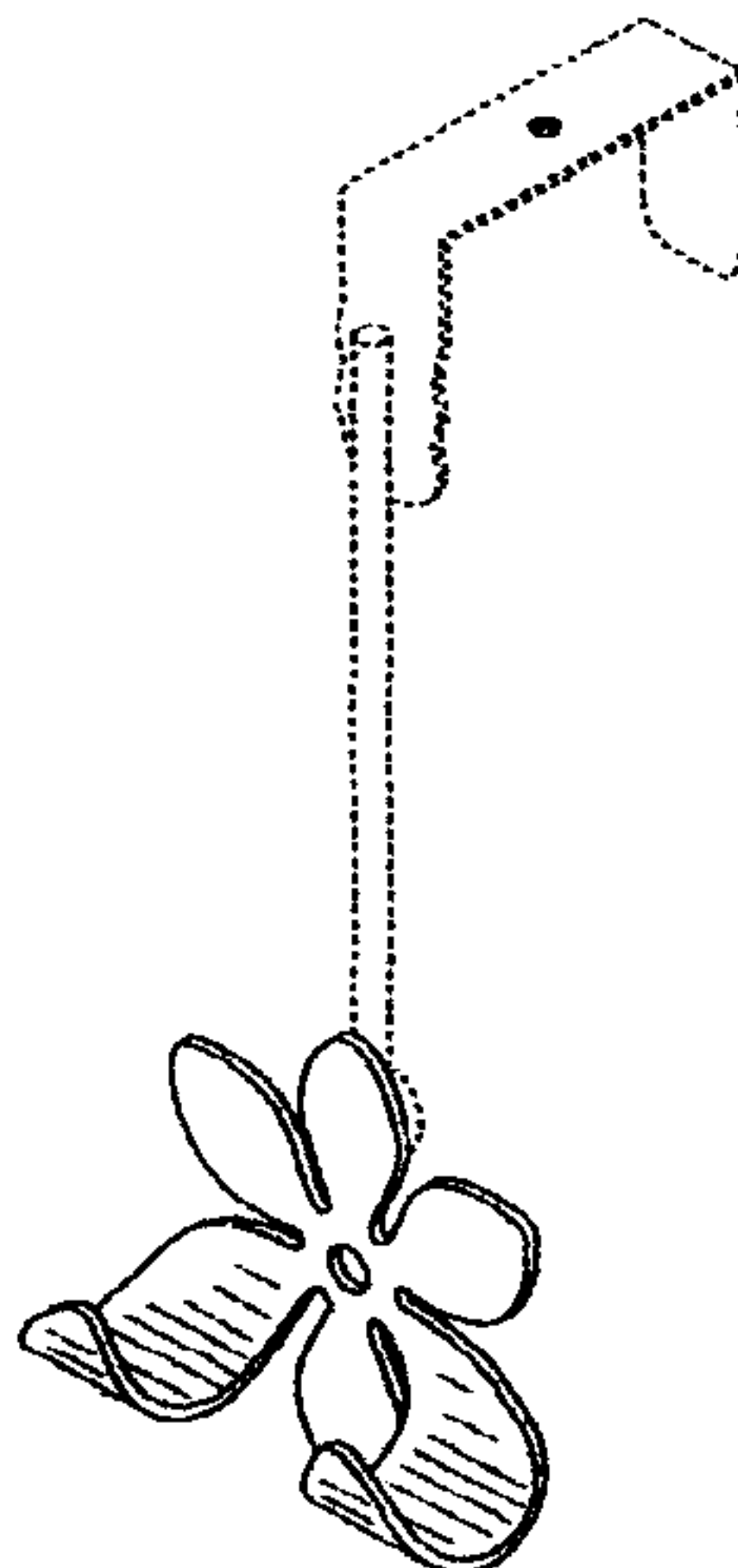
FIG. 3 is a front elevational view thereof;

FIG. 4 is a right side elevational view thereof, the left side elevational view being a mirror image;

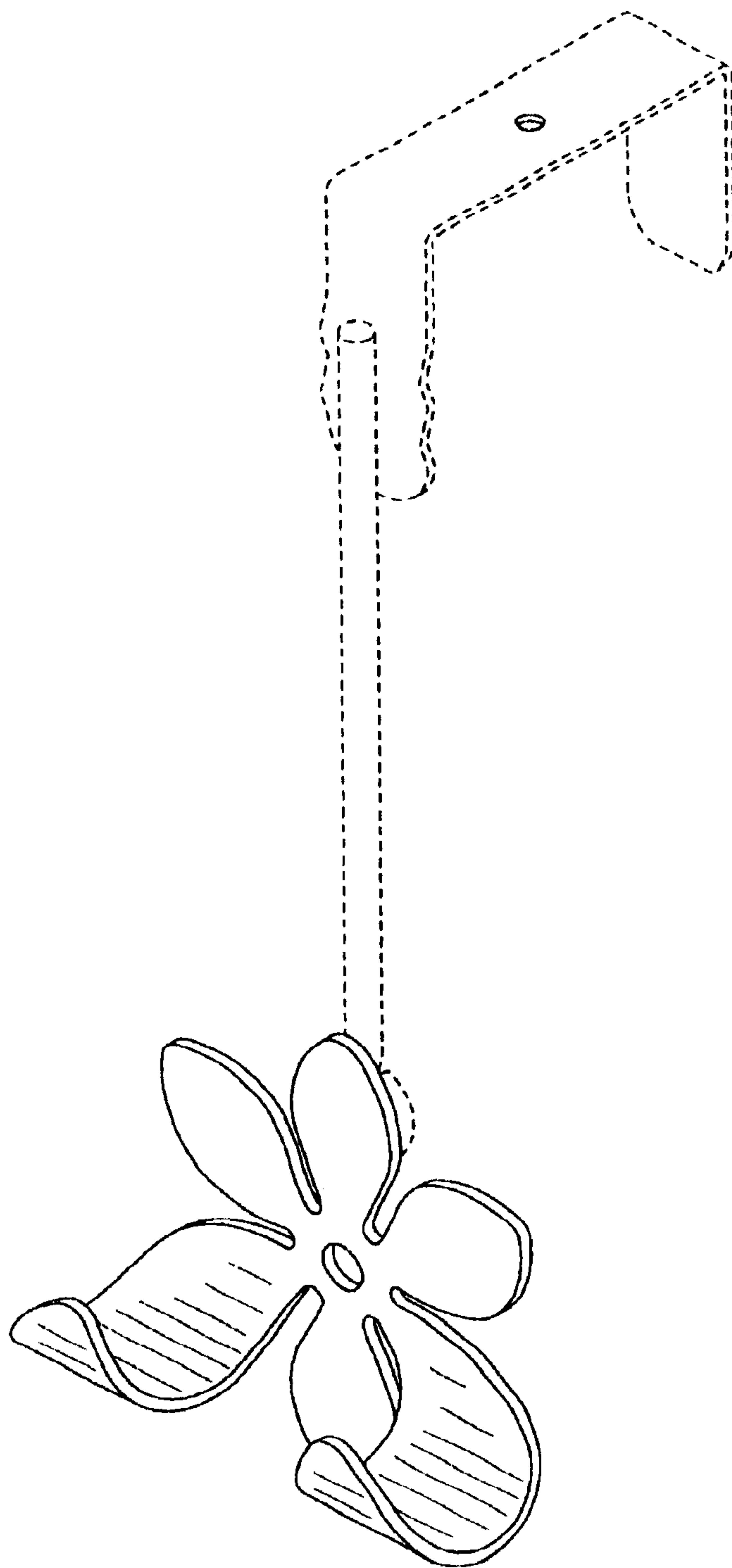
FIG. 5 is a rear elevational view thereof;

FIG. 6 is a bottom plan view thereof;

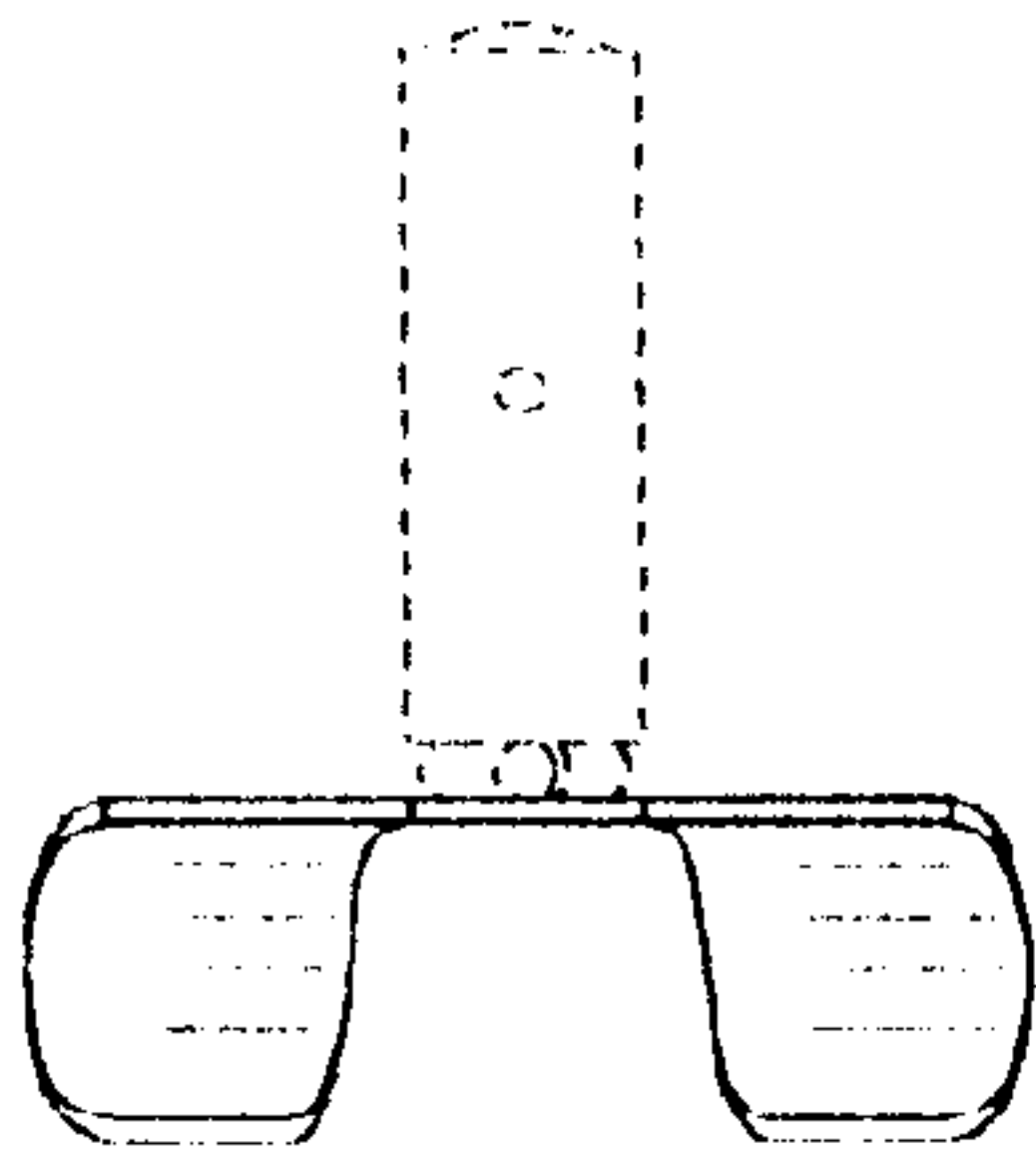
**1 Claim, 2 Drawing Sheets**



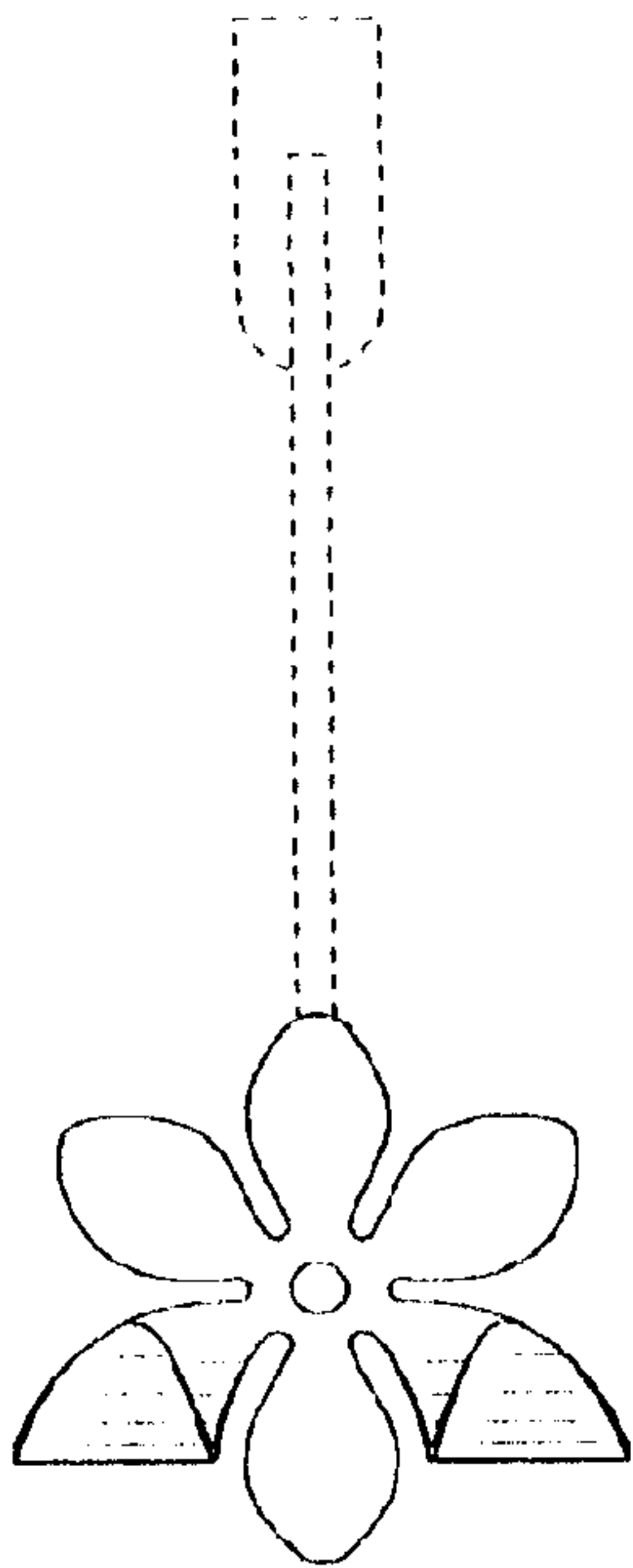




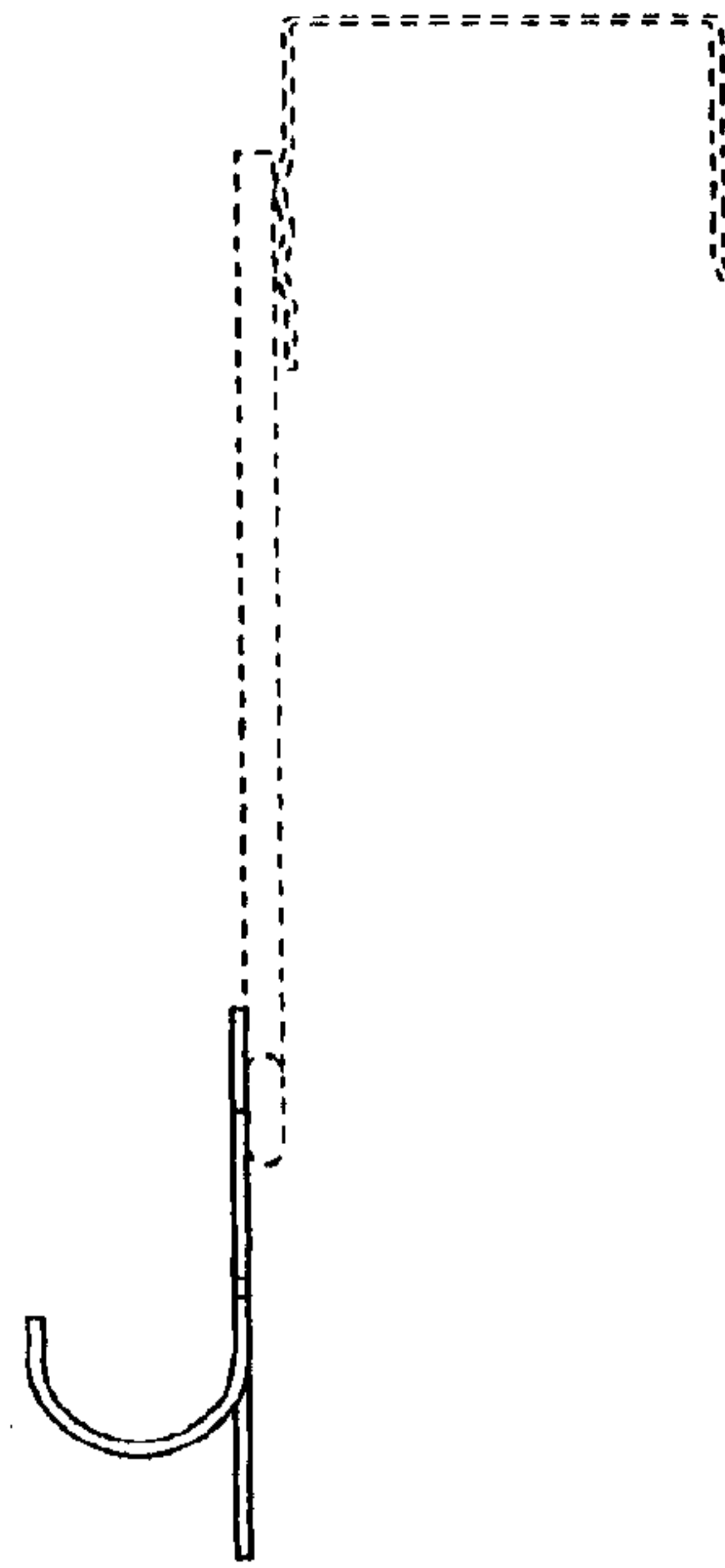
**FIG. 1**



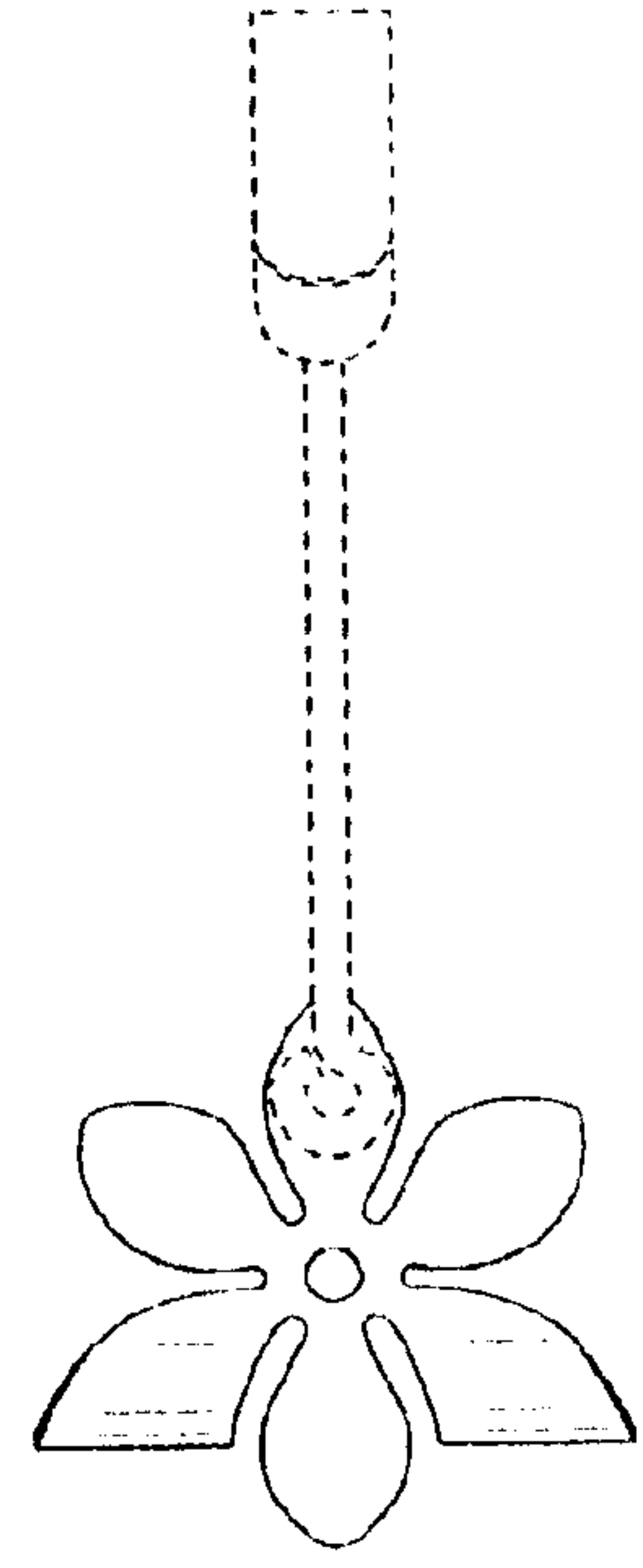
**FIG. 2**



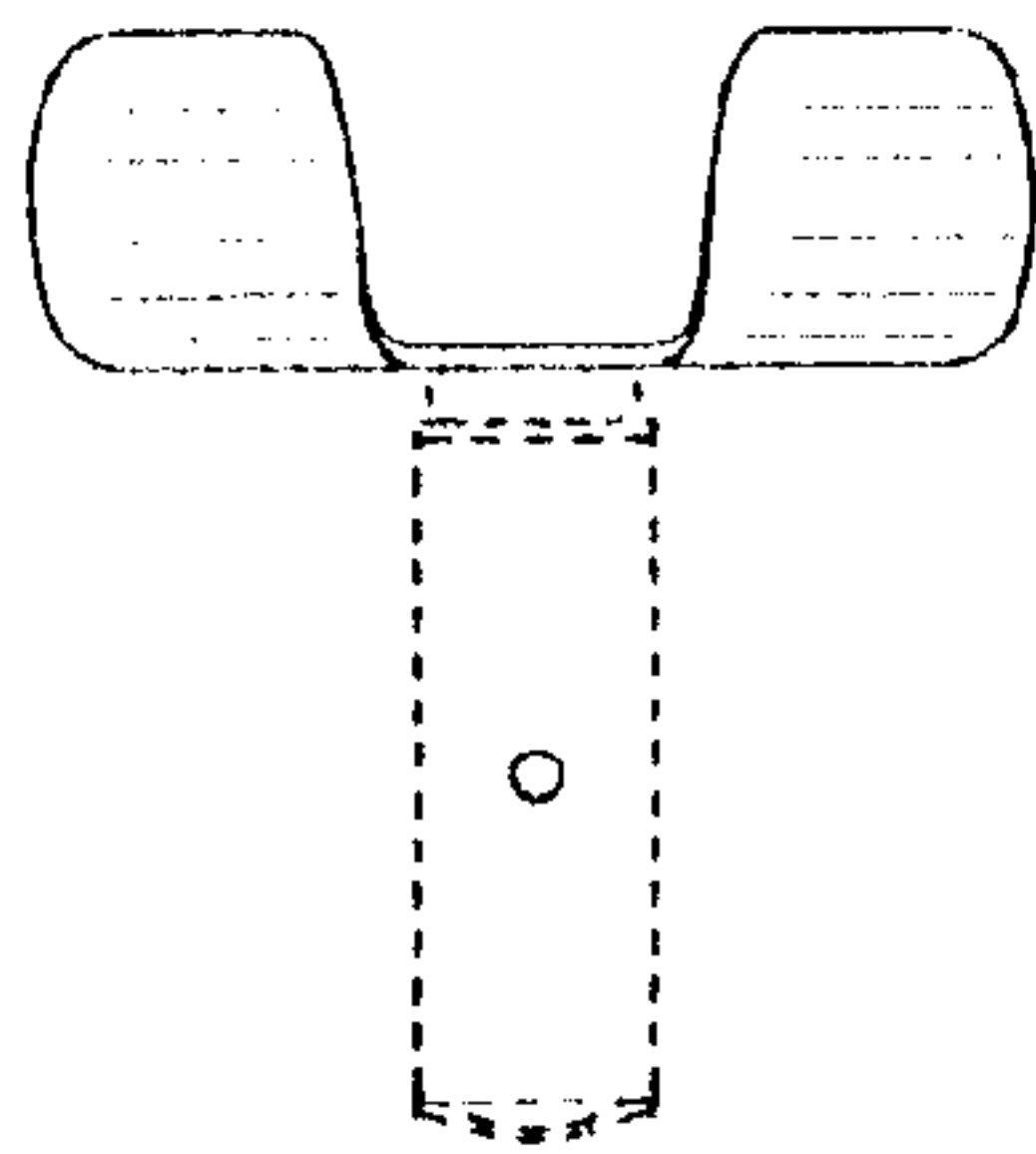
**FIG. 3**



**FIG. 4**



**FIG. 5**



**FIG. 6**