



US00D631333S

(12) **United States Design Patent**
Bauer et al.

(10) **Patent No.:** **US D631,333 S**
(45) **Date of Patent:** **** Jan. 25, 2011**

(54) **HOOK**

(75) Inventors: **Alan M. Bauer**, Medina, OH (US);
Christopher Jon Gilbert, Moreland Hills, OH (US)

(73) Assignee: **Moen Incorporated**, North Olmsted, OH (US)

(**) Term: **14 Years**

(21) Appl. No.: **29/363,849**

(22) Filed: **Jun. 15, 2010**

(51) **LOC (9) Cl.** **08-05**

(52) **U.S. Cl.** **D8/367**

(58) **Field of Classification Search** D8/356,
D8/354, 349, 359, 358, 367, 372, 373, 370;
174/135; 248/89, 75, 215, 339, 489; 385/135,
385/134, 60, 62; 52/220.1, 74.1; D13/156;
D19/34; 16/87.2, 87.8; D6/313, 500, 323;
D20/43

See application file for complete search history.

(56) **References Cited**

U.S. PATENT DOCUMENTS

441,511 A	11/1890	Segur	
D21,870 S *	9/1892	Tucker	D8/367
514,222 A	2/1894	Hall	
D25,548 S *	5/1896	Hayden	D8/365
D31,995 S *	12/1899	Alker	D8/370
2,018,836 A *	10/1935	Clemence	362/396
D99,881 S *	6/1936	Miller	D8/499
2,064,133 A *	12/1936	Von Schroeder	248/214
D212,740 S *	11/1968	Serle	D8/367
D216,359 S	12/1969	Feurerer	
3,488,025 A *	1/1970	Rowland	248/339
3,630,475 A *	12/1971	Barry	248/215
D244,910 S *	7/1977	Chasen et al.	D8/367

D288,745 S	3/1987	Fenton	
4,667,910 A	5/1987	Atterby et al.	
4,856,744 A	8/1989	Frankel	
5,174,536 A *	12/1992	Pelletier et al.	248/339
D373,948 S	9/1996	Etzel et al.	
6,270,048 B1 *	8/2001	Carlson	248/339
D461,704 S	8/2002	Lelievre	
D465,996 S	11/2002	Suero, Jr.	
D482,269 S	11/2003	Martello	

(Continued)

OTHER PUBLICATIONS

Hook Products, all hook products shown in the cited document were publicly available more than one year prior to Jun. 15, 2010, 11 pages.

Primary Examiner—Cynthia Underwood
(74) *Attorney, Agent, or Firm*—Calfee, Halter & Griswold LLP

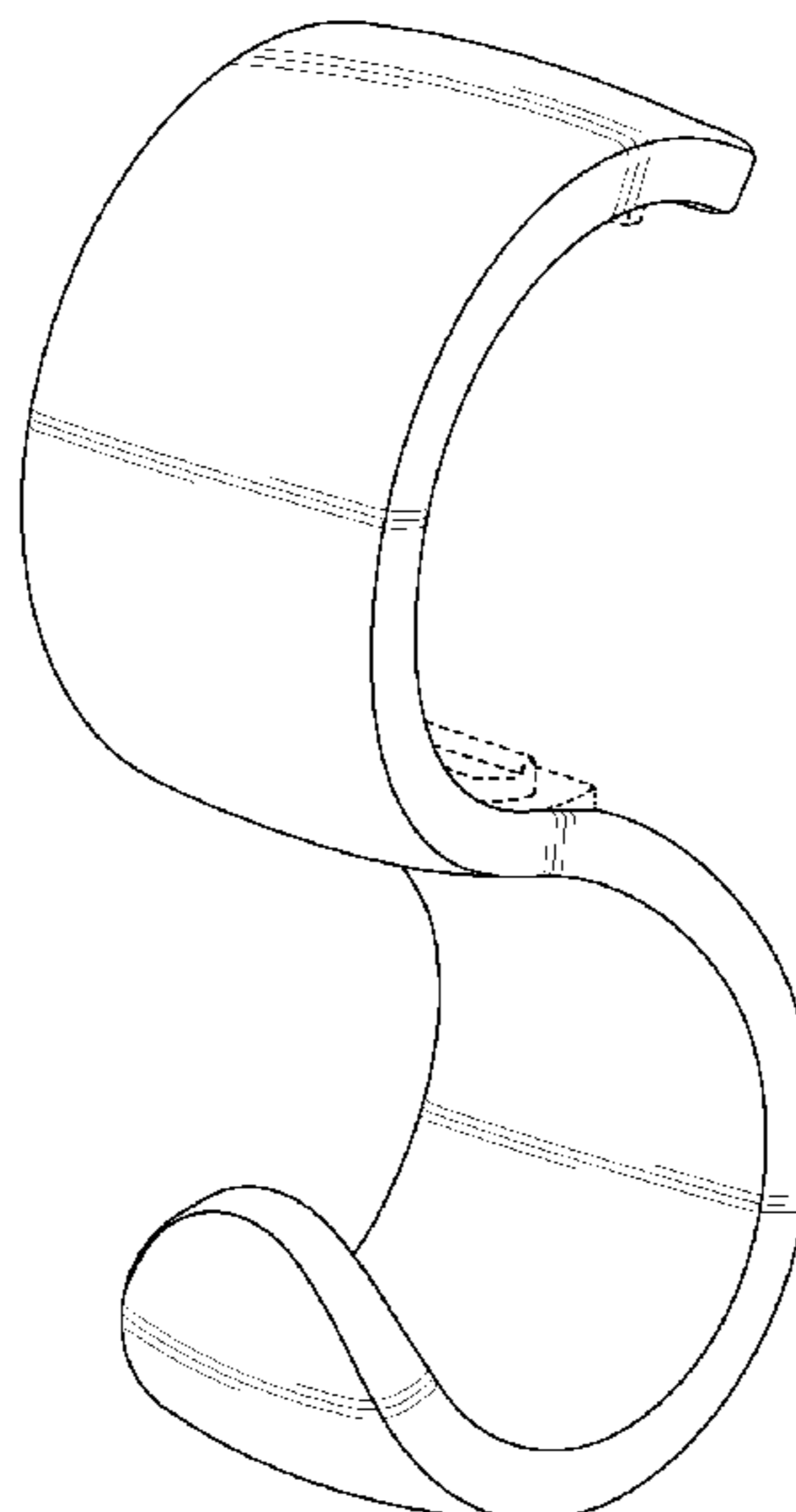
(57) **CLAIM**

The ornamental design for a hook, as shown and described.

DESCRIPTION

FIG. 1 is a perspective view of a hook of the new design;
FIG. 2 is a front elevational view of the hook of FIG. 1;
FIG. 3 is a rear elevational view of the hook of FIG. 1;
FIG. 4 is a left side elevational view of the hook of FIG. 1, the right side elevational view being a mirror image thereof;
FIG. 5 is a top plan view of the hook of FIG. 1; and,
FIG. 6 is a bottom plan view of the hook of FIG. 1.
The portions of the Figures shown in broken lines are not part of the claimed design and are for illustration only.

1 Claim, 3 Drawing Sheets



US D631,333 S

Page 2

U.S. PATENT DOCUMENTS

D524,636 S *	7/2006	Burnett	D8/370	7,475,859 B2 *	1/2009	Selders	248/304
7,152,838 B2	12/2006	Taulbee		D604,591 S *	11/2009	Snell	D8/367
D535,550 S	1/2007	Silberman		D608,623 S *	1/2010	Snell	D8/367
D569,238 S	5/2008	Gazai		D616,431 S *	5/2010	Hijmans	D14/253
D584,939 S	1/2009	Snell		D618,692 S *	6/2010	Deutsch et al.	D14/447

* cited by examiner

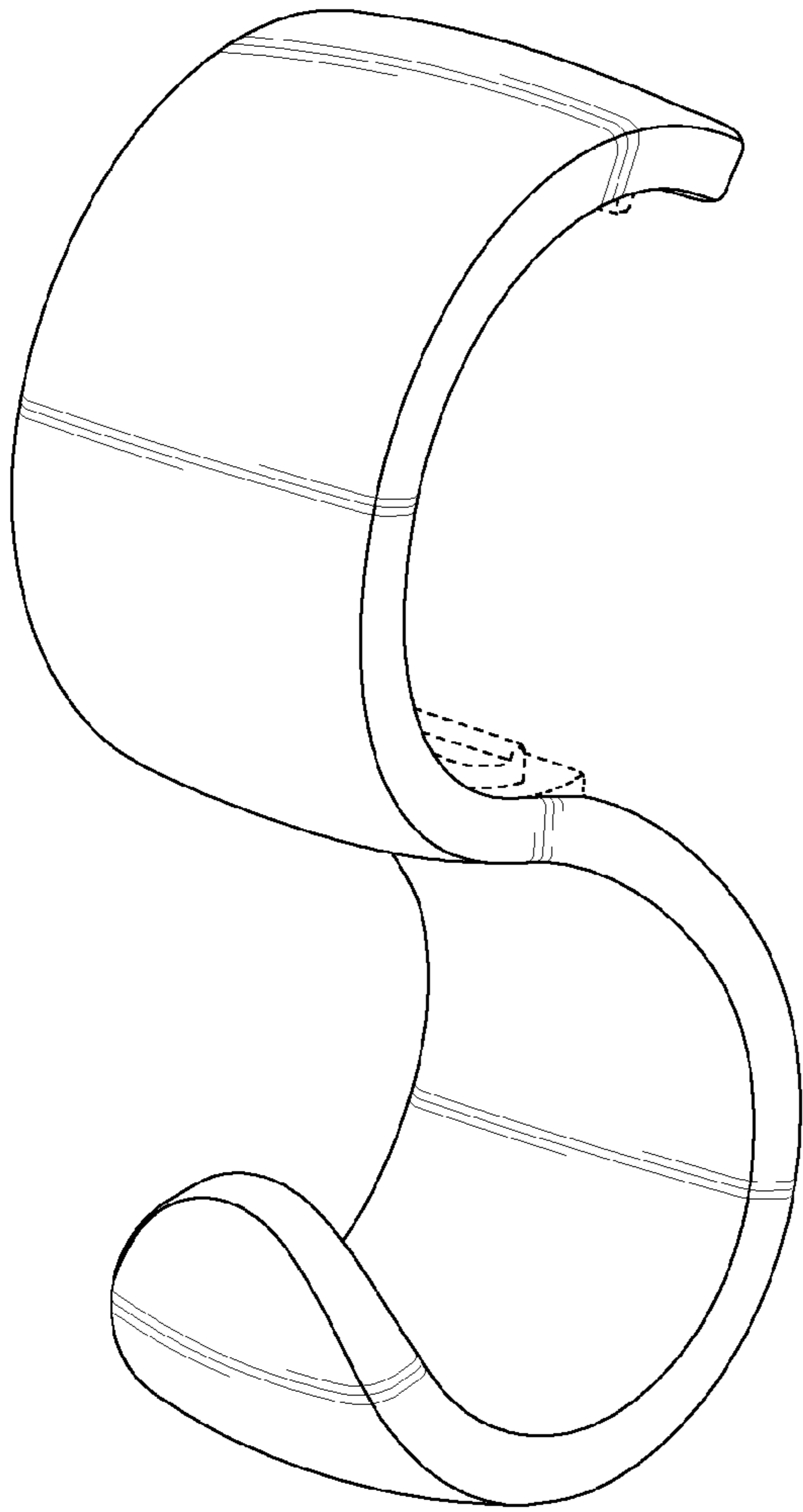


FIG. 1

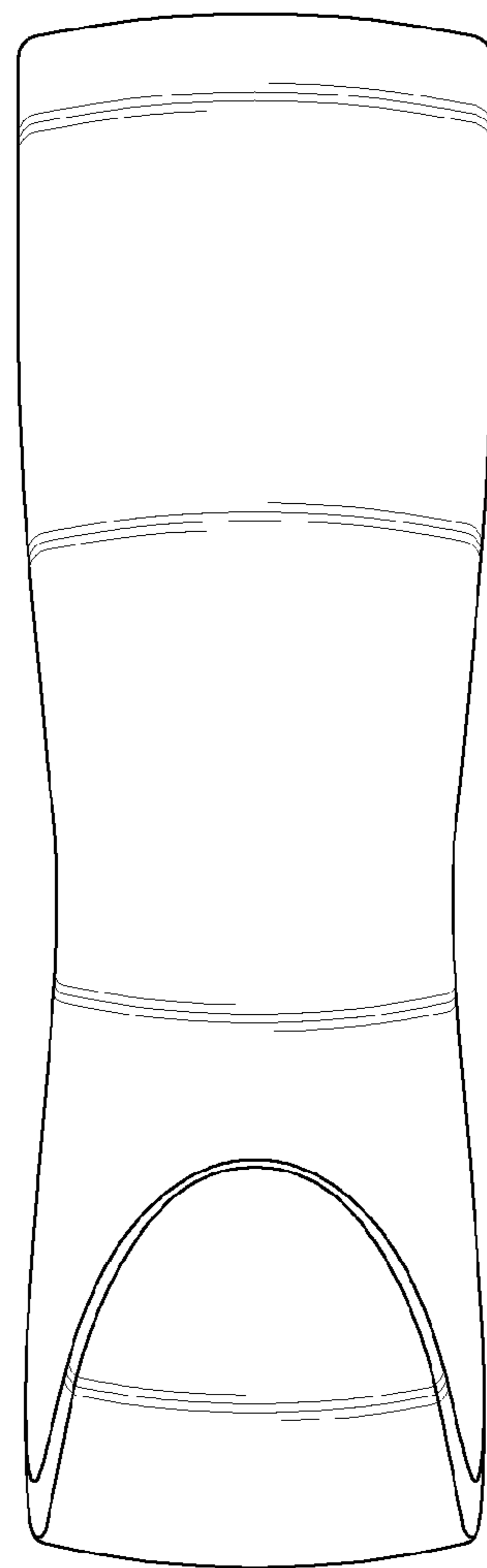


FIG. 2

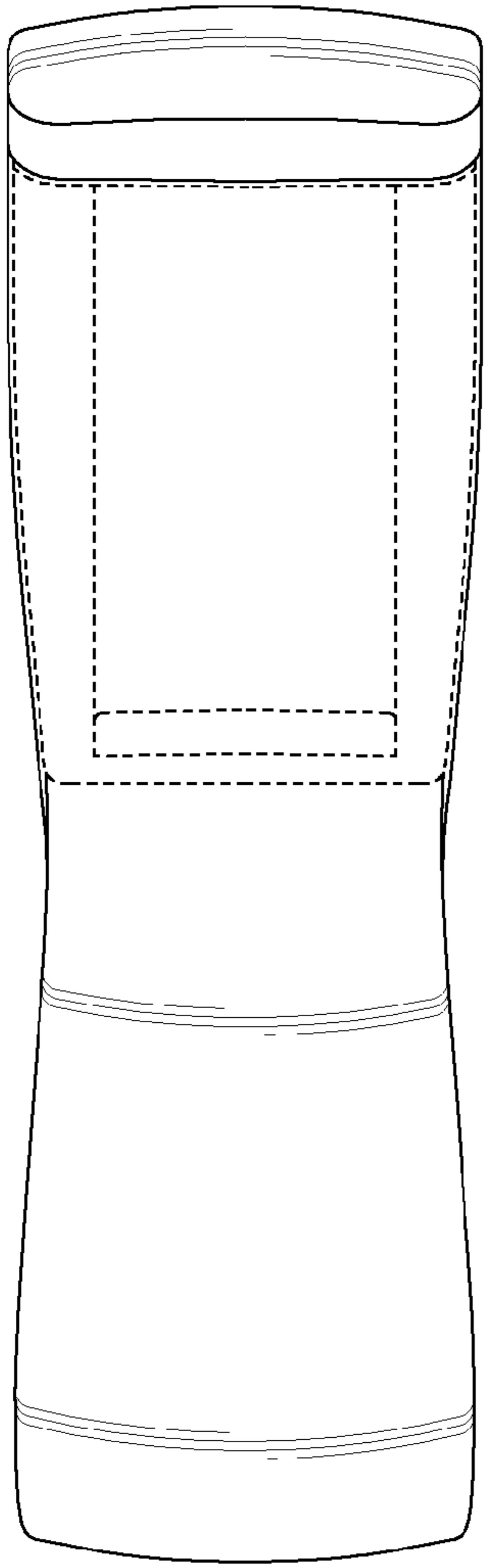


FIG. 3

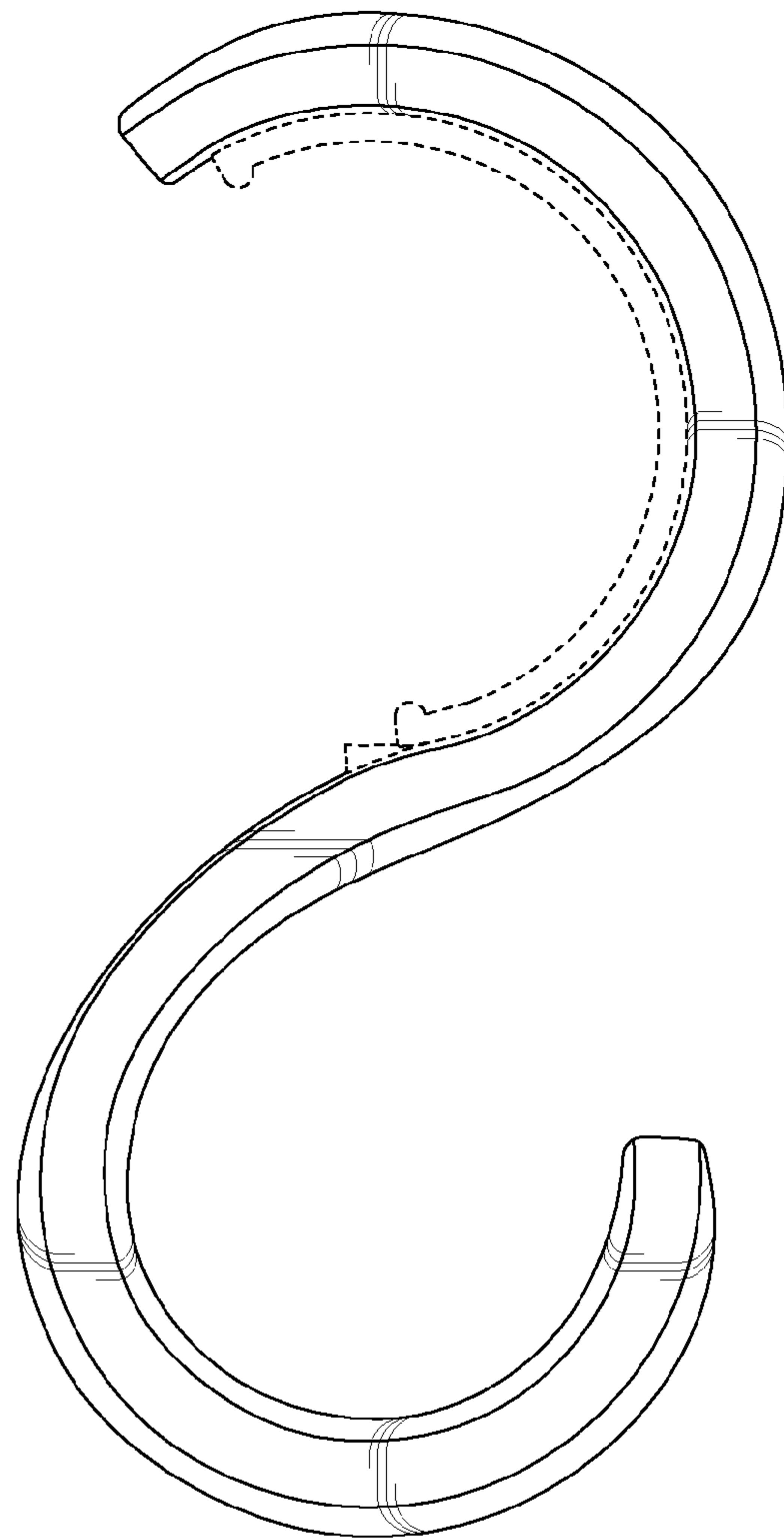


FIG. 4

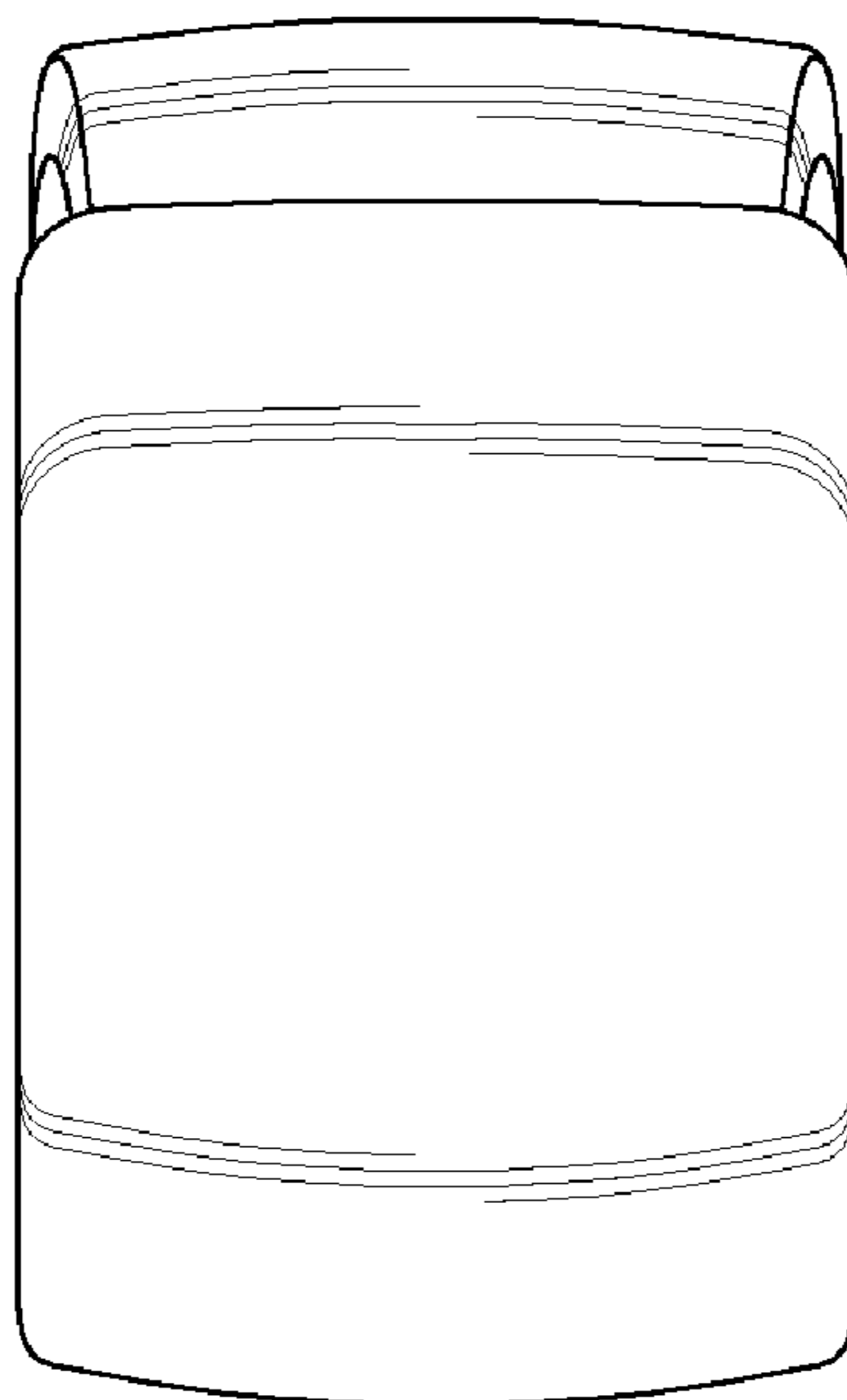


FIG. 5

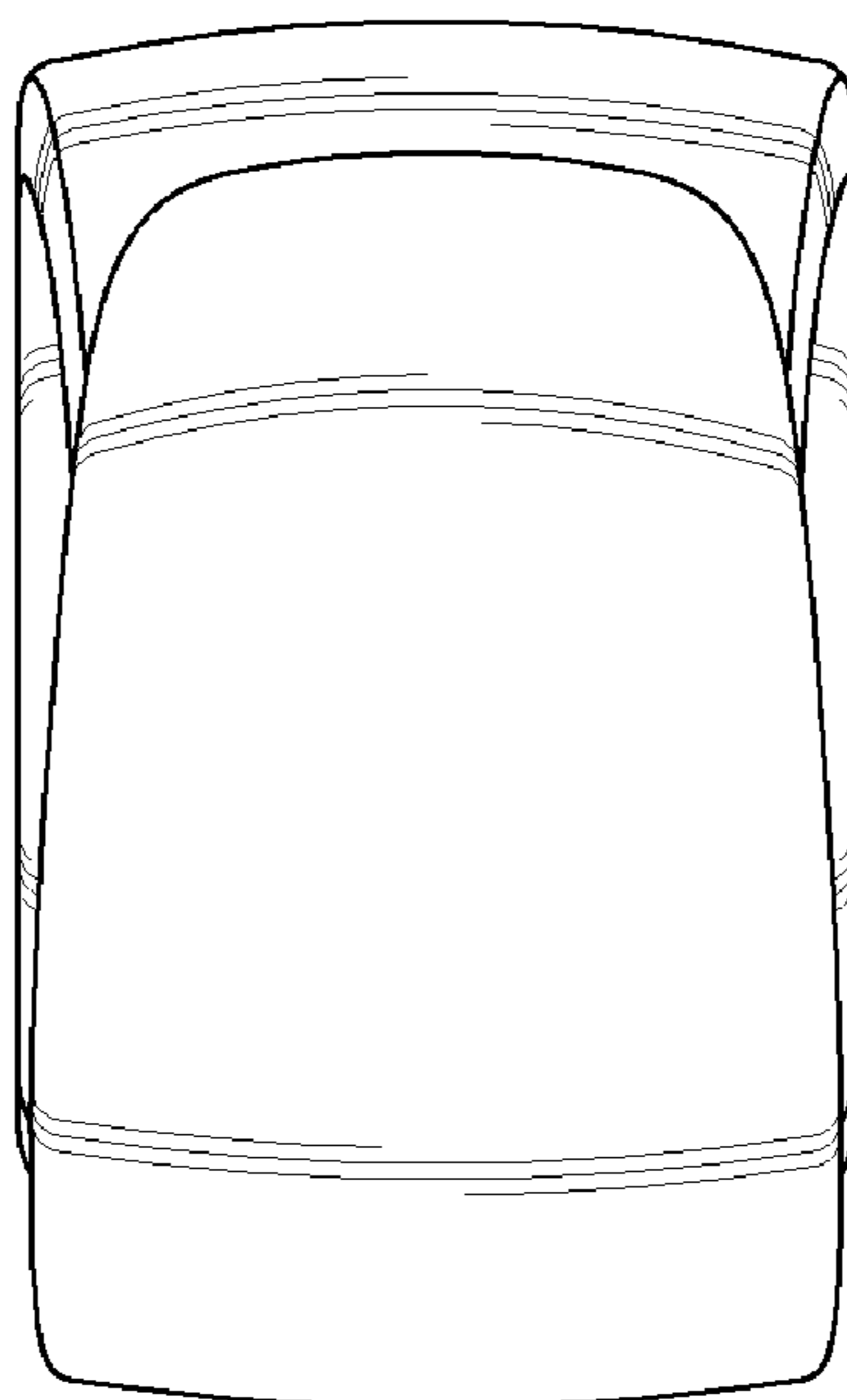


FIG. 6