



US00D631331S

(12) **United States Design Patent**
Kelleghan

(10) **Patent No.:** **US D631,331 S**
(45) **Date of Patent:** **** Jan. 25, 2011**

(54) **HANDLE**

(75) Inventor: **Brian James Kelleghan**, Longmont, CO
(US)

(73) Assignee: **Bison Designs, LLC**, Longmont, CO
(US)

(**) Term: **14 Years**

(21) Appl. No.: **29/368,484**

(22) Filed: **Aug. 24, 2010**

(51) **LOC (9) Cl.** **08-05**

(52) **U.S. Cl.** **D8/356**

(58) **Field of Classification Search** D8/372,
D8/367, 370, 356, 1, 382; D6/323; 248/301-304,
248/175; 70/59; 24/588.1, 601, 599.9; 402/35;
114/218; D12/317; D22/147

See application file for complete search history.

(56) **References Cited**

U.S. PATENT DOCUMENTS

D244,585 S	6/1977	Jonsson
D271,465 S	11/1983	Boissonnet
4,772,059 A	9/1988	Parry et al.
4,835,823 A	6/1989	Contat
4,890,355 A	1/1990	Schulten
5,263,755 A	11/1993	Thompson
5,270,909 A	12/1993	Weiss et al.
D348,214 S	6/1994	Girardin
5,357,657 A	10/1994	Petzl

(Continued)

FOREIGN PATENT DOCUMENTS

GB 2339383 1/2000

OTHER PUBLICATIONS

6cm Standard Scan of website [http://www.bisondesigns.com/node/205] showing prior art carabiner sold by Bison Designs.

(Continued)

Primary Examiner—Cynthia Underwood

(74) *Attorney, Agent, or Firm*—Margaret Polson; Oppedahl Patent Law Firm LLC

(57) **CLAIM**

The ornamental design for a handle, as shown and described.

DESCRIPTION

FIG. 1 is a top perspective view of my new design for a handle.

FIG. 2 is a top plan view of FIG. 1.

FIG. 3 is a right side elevation view of FIG. 1.

FIG. 4 is a left side elevation view of FIG. 1.

FIG. 5 is a front side elevation view of FIG. 1.

FIG. 6 is rear side elevation view of FIG. 1.

FIG. 7 is a top perspective view of an alternate embodiment of my new design for a handle.

FIG. 8 is a top plan view of FIG. 7.

FIG. 9 is a right side elevation view of FIG. 7.

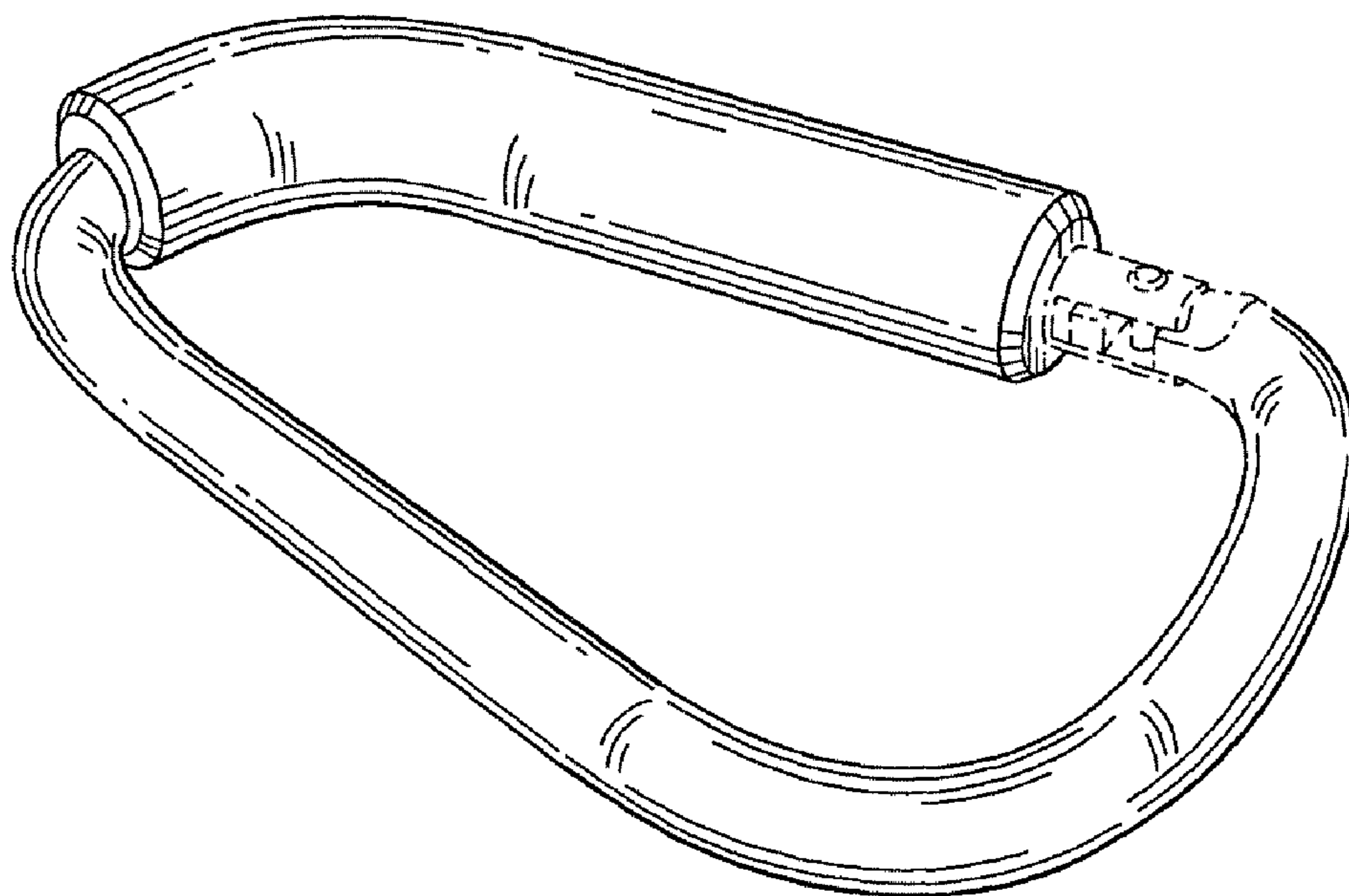
FIG. 10 is a left side elevation view of FIG. 7.

FIG. 11 is a front side elevation view of FIG. 7; and,

FIG. 12 is rear side elevation view of FIG. 7.

The broken lines represent portions of the structure that form no part of the claim.

1 Claim, 2 Drawing Sheets



US D631,331 S

Page 2

U.S. PATENT DOCUMENTS

5,441,323 A 8/1995 Goddard
D375,252 S 11/1996 Serra Fabregas
D401,505 S 11/1998 Michael et al.
D466,786 S 12/2002 Bourgeois et al.
6,622,354 B1* 9/2003 Klingier 24/601.5
6,688,259 B2 2/2004 Axel
6,715,898 B1* 4/2004 Huang 362/191
6,800,007 B2 10/2004 Calkin
7,046,604 B2 5/2006 Axel
D528,406 S * 9/2006 Kramer D8/356
D565,392 S * 4/2008 Shetler D8/356
D613,583 S * 4/2010 Abels D8/356
2004/0143945 A1* 7/2004 Christianson 24/600.1
2004/0231116 A1* 11/2004 Goldberg 24/452
2005/0028331 A1 2/2005 Axel

2005/0246874 A1* 11/2005 Hsu 24/598.2
2006/0168781 A1* 8/2006 Axel 24/599.1
2007/0050956 A1 3/2007 Hu
2007/0062013 A1* 3/2007 Mueller 24/599.1
2008/0022497 A1* 1/2008 Thompson 24/598.1
2008/0209700 A1* 9/2008 Goldberg 24/599.6

OTHER PUBLICATIONS

8cm Standard Scan of website [<http://www.bisondesigns.com/node/207>] showing prior art carabiner sold by Bison Designs.

Standard D 5cm Scan of website [<http://www.bisondesigns.com/node/127>] showing prior art carabiner sold by Bison Designs.

Utility Scan of website [<http://www.bisondesigns.com/node/235>] showing prior art carabiner sold by Bison Designs.

* cited by examiner

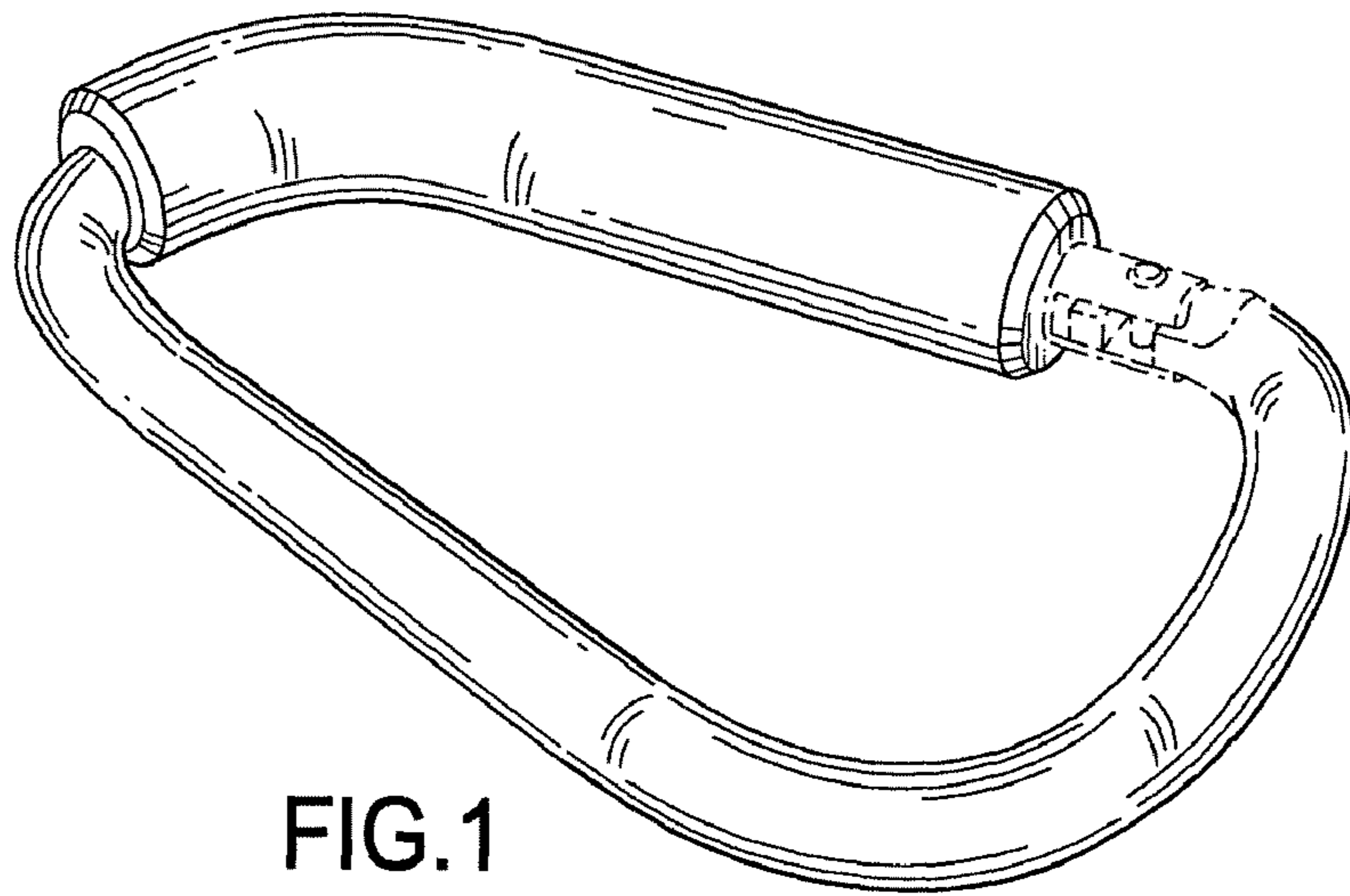


FIG. 1

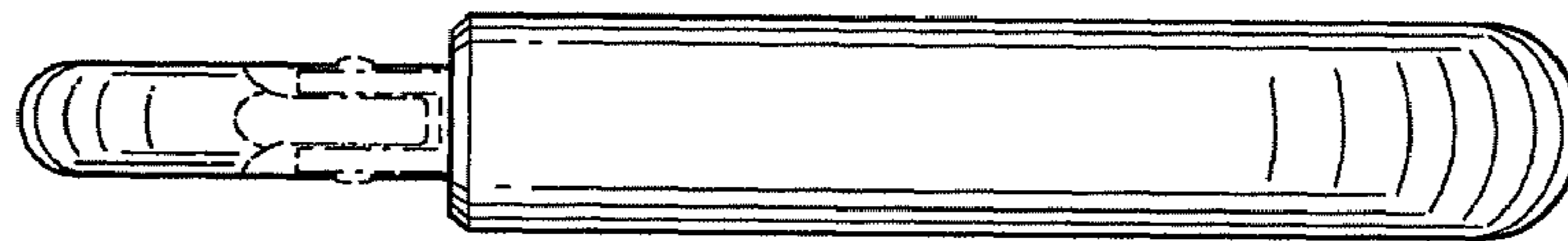


FIG. 3

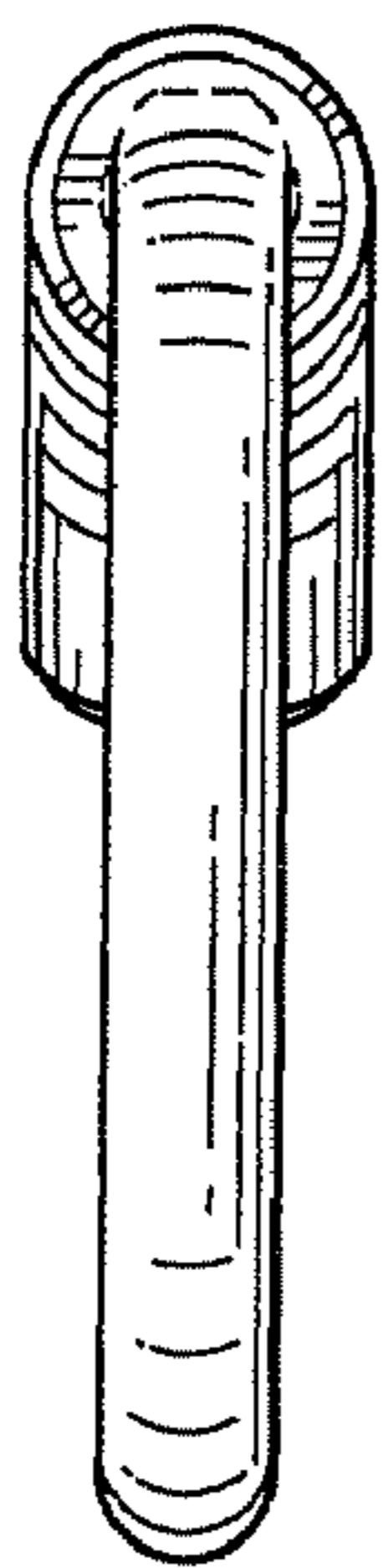


FIG. 5

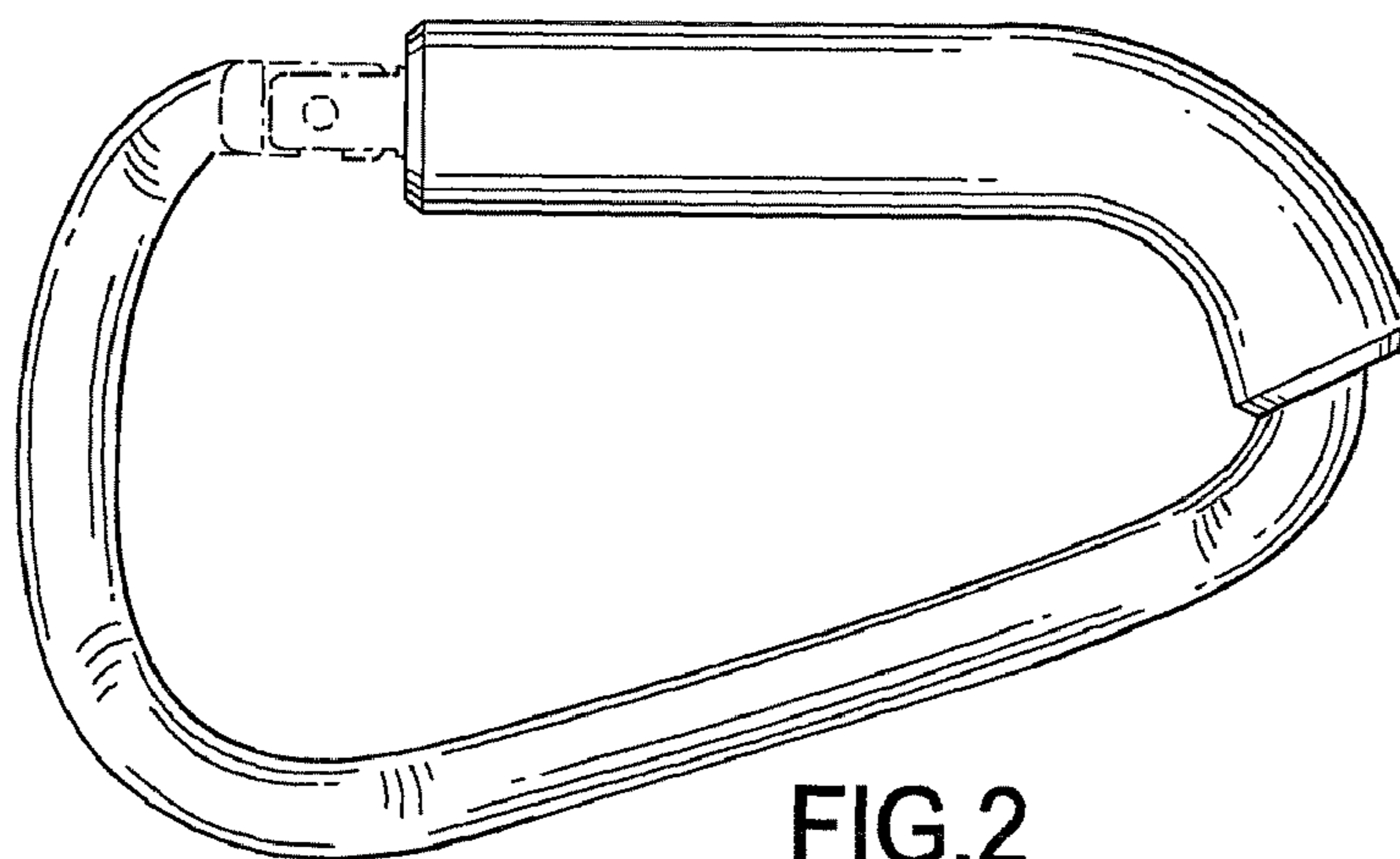


FIG. 2

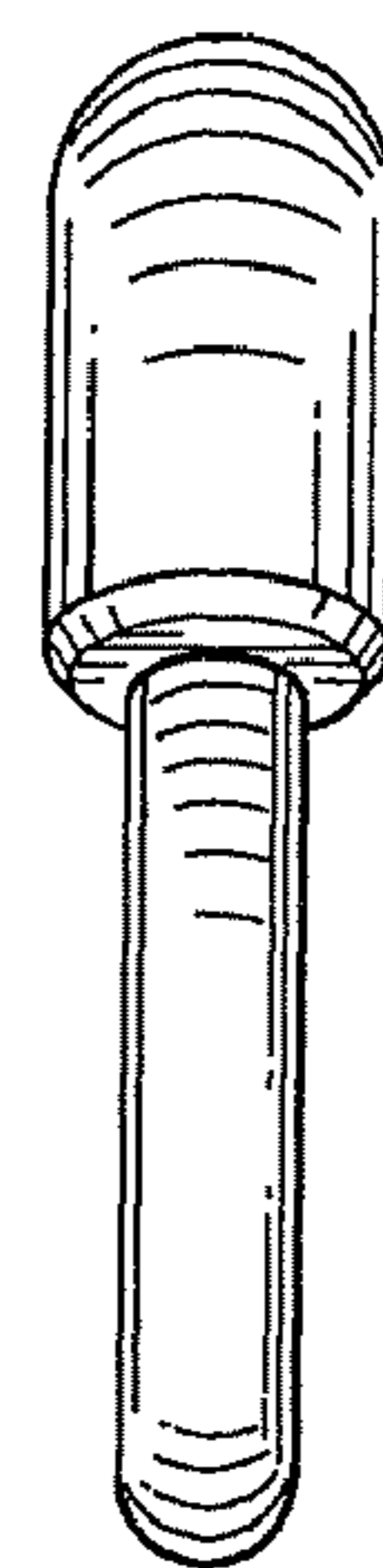


FIG. 6

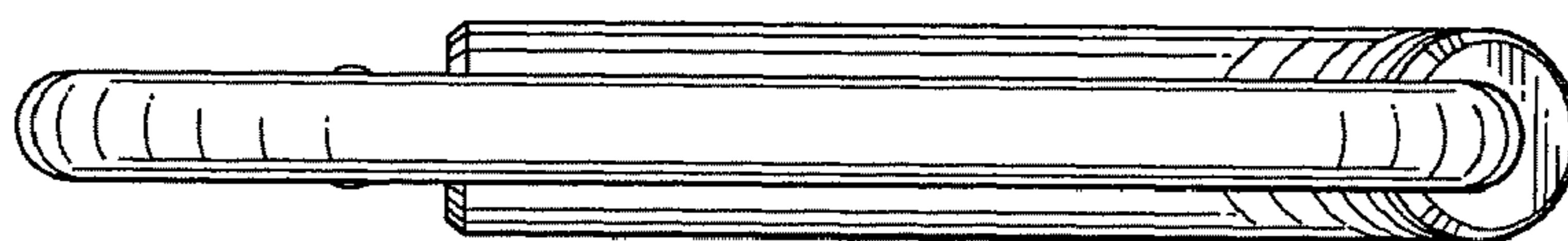


FIG. 4

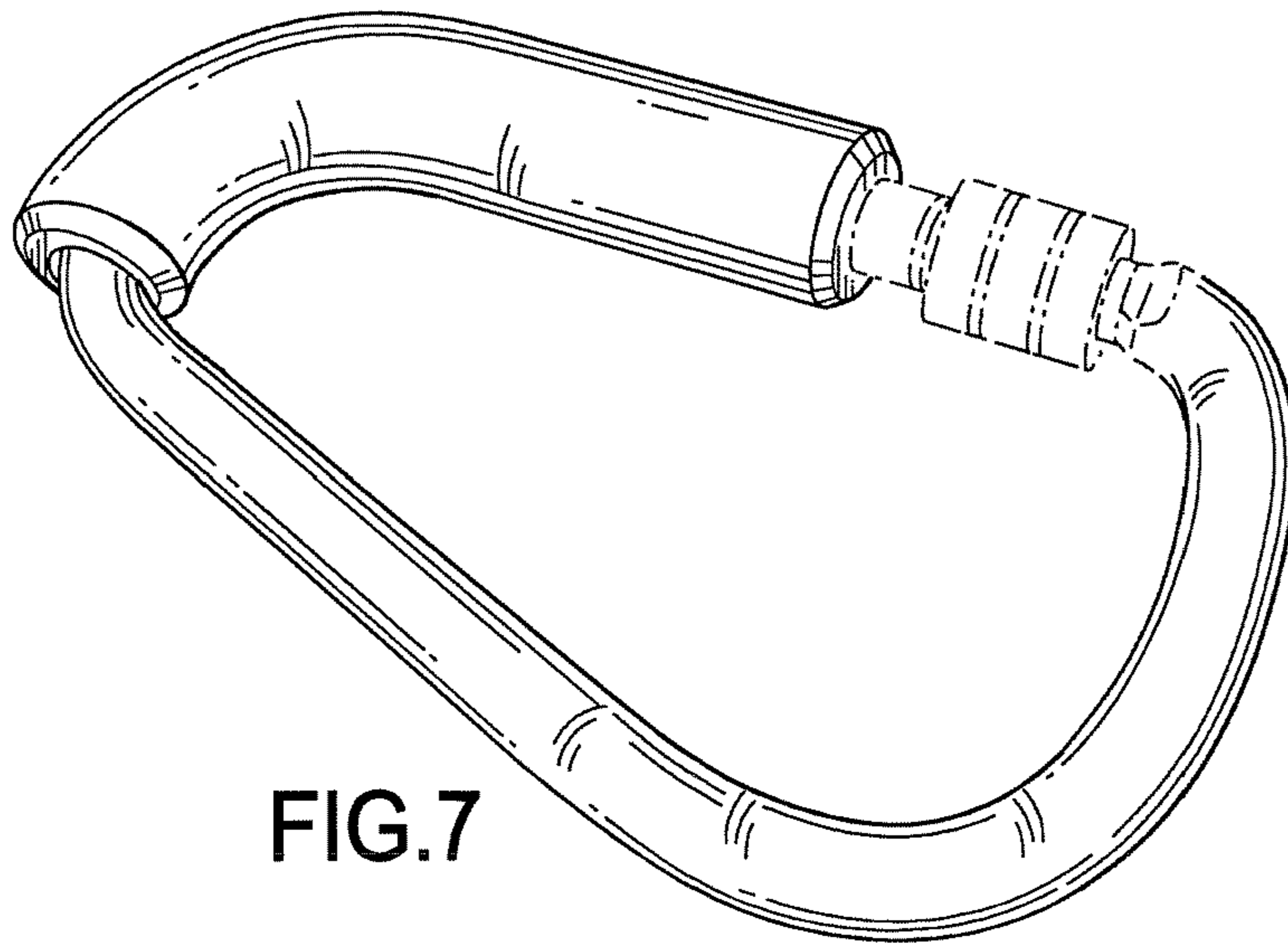


FIG. 7



FIG. 9

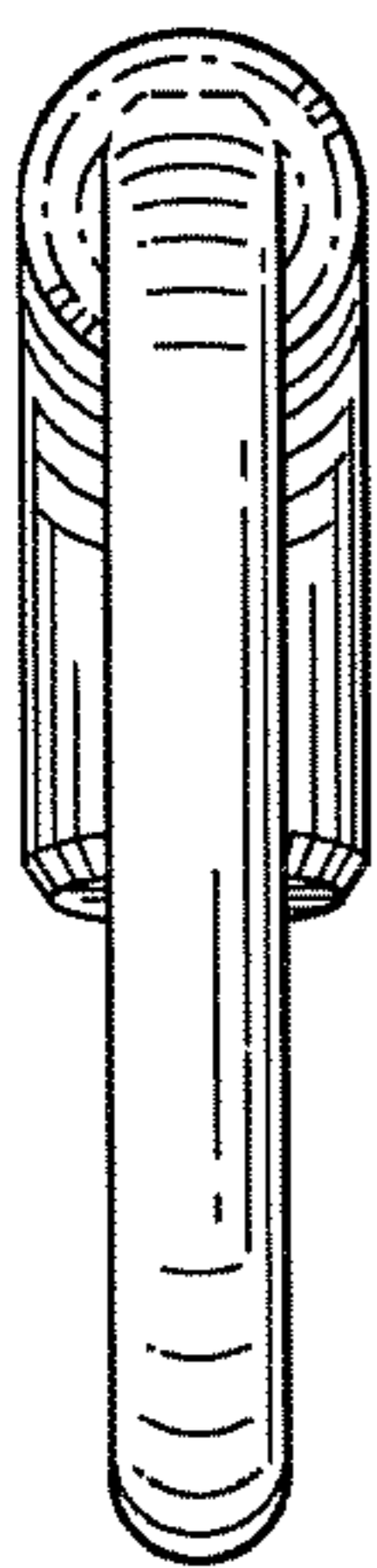


FIG. 11

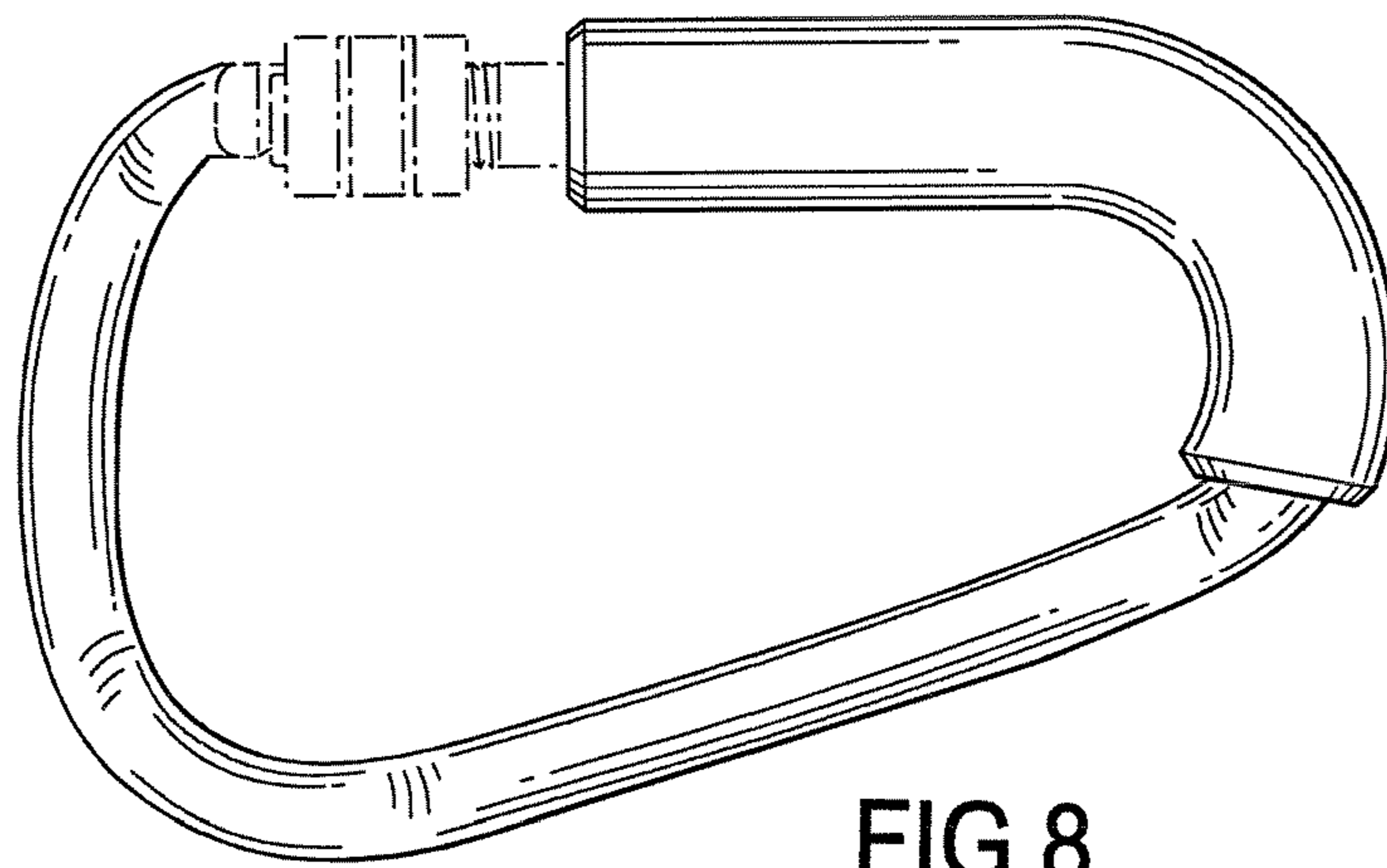


FIG. 8

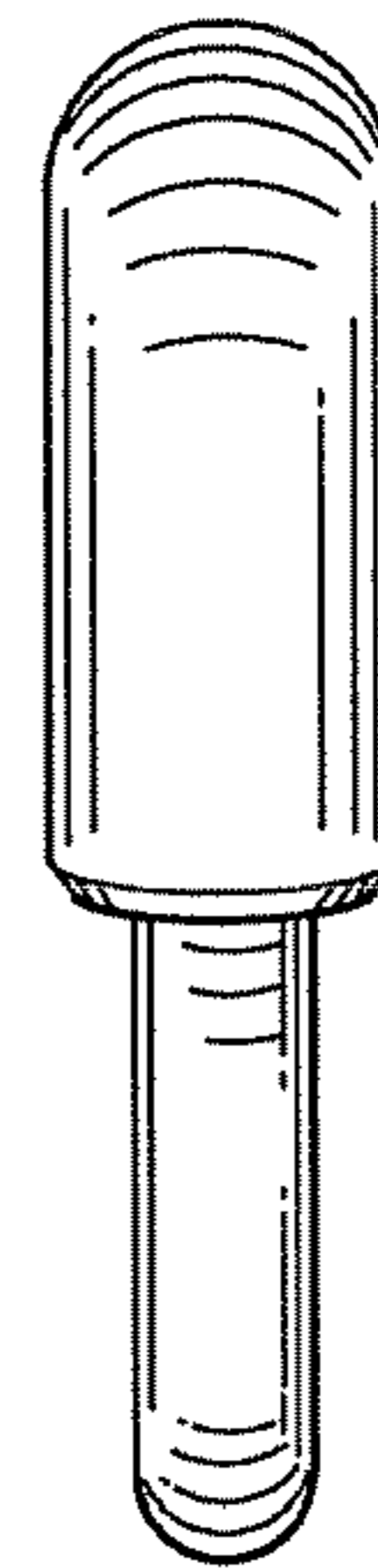


FIG. 12

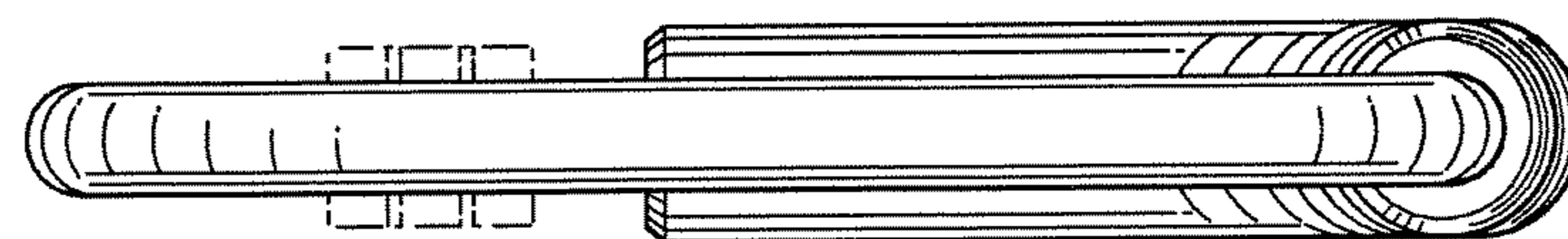


FIG. 10