

US00D631330S

(12) **United States Design Patent**
Richards

(10) **Patent No.:** **US D631,330 S**

(45) **Date of Patent:** **** Jan. 25, 2011**

(54) **ADJUSTABLE PAPER AND CABLE
RETAINER**

(76) Inventor: **Donna Eaton Richards**, 889 Highridge
St., Riverside, CA (US) 92506

(**) Term: **14 Years**

(21) Appl. No.: **29/362,174**

(22) Filed: **May 20, 2010**

Related U.S. Application Data

(63) Continuation-in-part of application No. 29/336,329,
filed on Apr. 30, 2009.

(51) **LOC (9) Cl.** **08-06**

(52) **U.S. Cl.** **D8/356**

(58) **Field of Classification Search** D8/105,
D8/107, 333, 349, 354, 356, 358, 360, 360.1,
D8/367, 372, 373, 382, 383, 394-396, 400;
D13/133, 139.4, 153, 155; 24/18, 20 W,
24/23 W, 115 R, 129 C, 130, 131 R, 197,
24/561; 52/220.7; 174/72 A, 100, 135, 153 G,
174/650, 656; 211/86.01, 87.01, 94.01;
242/400.1, 405.1, 405.2, 600, 603; 248/65,
248/74.1-74.4, 201, 214, 215, 229.26

See application file for complete search history.

(56) **References Cited**

U.S. PATENT DOCUMENTS

546,484 A	9/1895	Brown	
902,189 A	10/1908	Wheildon	
1,945,932 A *	2/1934	Caley	132/247
2,099,881 A	11/1937	Emmer	
2,773,504 A	12/1956	McGervey	
3,205,897 A	9/1965	Jamison	
3,467,479 A	9/1969	Holes et al.	
3,501,814 A	3/1970	Anderson et al.	
3,516,124 A	6/1970	Merser	
3,881,334 A	5/1975	Wilson	
3,908,909 A	9/1975	Kaatz	
D252,741 S	8/1979	Taylor	
D273,841 S	5/1984	Chance	

4,492,004 A	1/1985	Oetiker	
4,572,466 A *	2/1986	Yamaguchi et al.	248/73
4,693,624 A	9/1987	Moosmuller	
4,919,373 A *	4/1990	Caveney et al.	248/74.3
4,932,804 A	6/1990	Richards	
4,942,644 A	7/1990	Rowley	
D313,547 S	1/1991	Buckles	
5,054,816 A	10/1991	Rosengarten	
5,156,644 A	10/1992	Koehler et al.	
5,172,879 A	12/1992	Calmettes et al.	
5,423,624 A	6/1995	Rishards	
D363,877 S	11/1995	Dee	
D368,652 S	4/1996	Stanley	
D370,407 S	6/1996	Pietrowski	
D400,686 S	11/1998	Hamerman	
D424,566 S	5/2000	Baker	
6,192,554 B1	2/2001	Dumcum	
6,386,489 B1	5/2002	Gretz	
6,481,061 B1	11/2002	Andre et al.	
6,523,229 B2	2/2003	Severson	
6,747,209 B2 *	6/2004	Uchida et al.	174/68.1
7,198,442 B2	4/2007	Waldron	
7,377,013 B2	5/2008	Cheung	
7,404,238 B2	7/2008	McNeill	
2009/0106948 A1	4/2009	Lopez et al.	

* cited by examiner

Primary Examiner—Robert M Spear

Assistant Examiner—Karen Acker

(74) *Attorney, Agent, or Firm*—Kirk A. Buhler; Buhler & Associates

(57) **CLAIM**

The ornamental design for an adjustable paper and cable retainer, as shown and described.

DESCRIPTION

In FIG. 1, the central portion has been changed to an environmental feature and the line section of the arrowed partial circles has been changed to broken lines.

In FIG. 2, the shank extension has been added and the broken section line has been simplified.

In FIG. 3, the broken section line has been simplified.

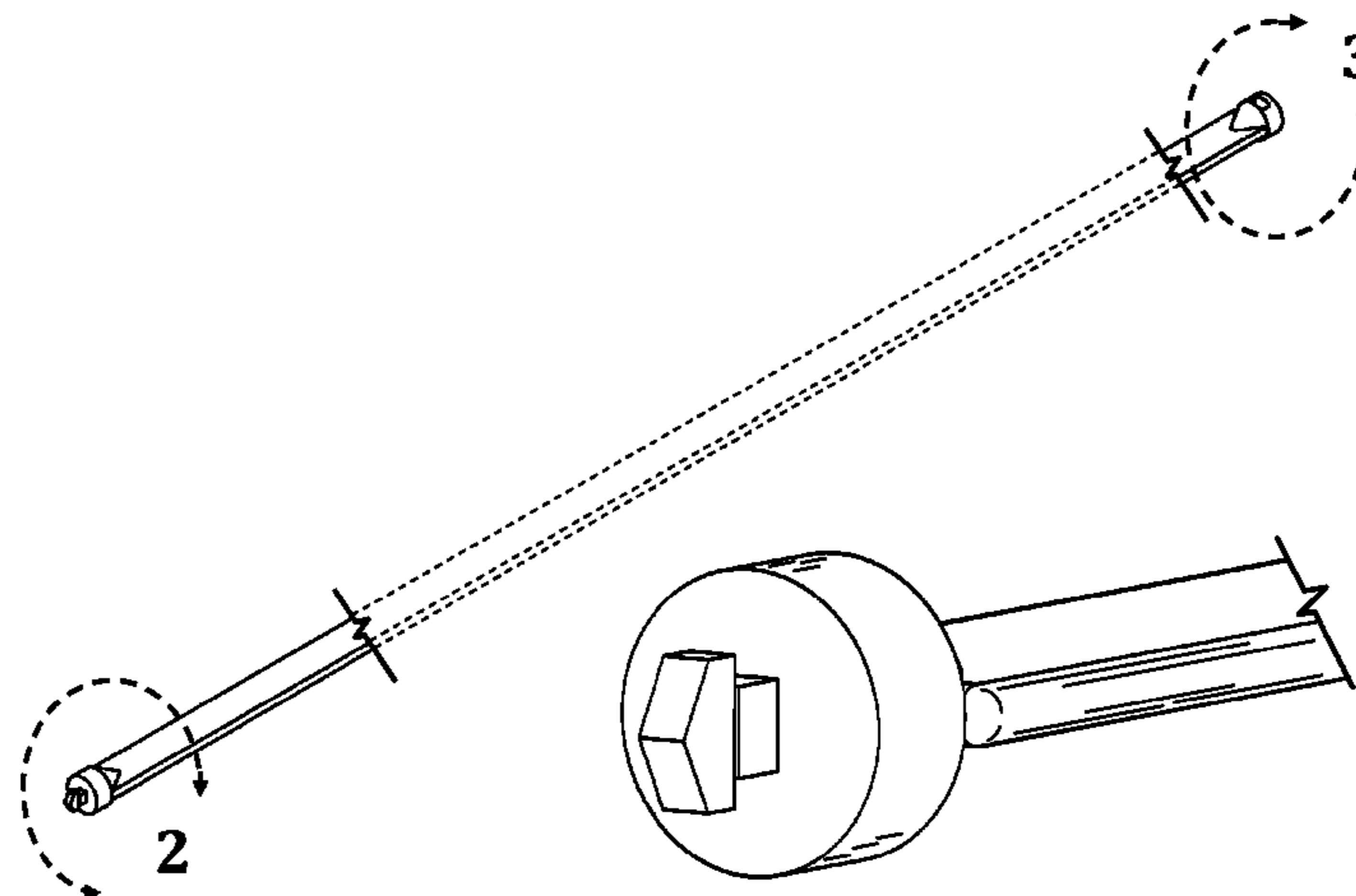


FIG. 4 is a right detail view of the head portion where the left detail view is a mirror image thereof;

FIG. 5 is a front detail view of the head portion where the back detail view is a mirror image thereof;

FIG. 6 is a top thereof;

FIG. 7 is a right detail view of the tail portion thereof;

FIG. 8 is a front detail view of the tail portion where the back detail view is a mirror image thereof;

FIG. 9 is a bottom thereof;

FIG. 10 is a right side of a first embodiment thereof;

FIG. 11 is a front side of a first embodiment thereof;

FIG. 12 is a left side of a first embodiment thereof;

FIG. 13 is a back side of a first embodiment thereof;

FIG. 14 is a right side of a second embodiment thereof;

FIG. 15 is a front side of a second embodiment thereof;

FIG. 16 is a left side of a second embodiment thereof;

FIG. 17 is a back side of a second embodiment thereof;

FIG. 18 is a right side of a third embodiment thereof;

FIG. 19 is a front side of a third embodiment thereof;

FIG. 20 is a left side of a third embodiment thereof;

FIG. 21 is a back side of a third embodiment thereof;

FIG. 22 is a right side of a fourth embodiment thereof;

FIG. 23 is a front side of a fourth embodiment thereof;

FIG. 24 is a left side of a fourth embodiment thereof;

FIG. 25 is a back side of a fourth embodiment thereof;

FIG. 26 is a right side of a fifth embodiment thereof;

FIG. 27 is a front side of a fifth embodiment thereof;

FIG. 28 is a left side of a fifth embodiment thereof;

FIG. 29 is a back side of a fifth embodiment thereof;

FIG. 30 is a right side of a sixth embodiment thereof;

FIG. 31 is a front side of a sixth embodiment thereof;

FIG. 32 is a left side of a sixth embodiment thereof; and,

FIG. 33 is a back side of a sixth embodiment thereof.

FIGS. 1 through 9 are perspective and detail views for all embodiments. The break lines in FIGS. 2 through 5 and FIGS. 7 and 8 represent the boundary of the details shown in broken line in FIG. 1. The broken lines form no part of the claimed design.

1 Claim, 8 Drawing Sheets

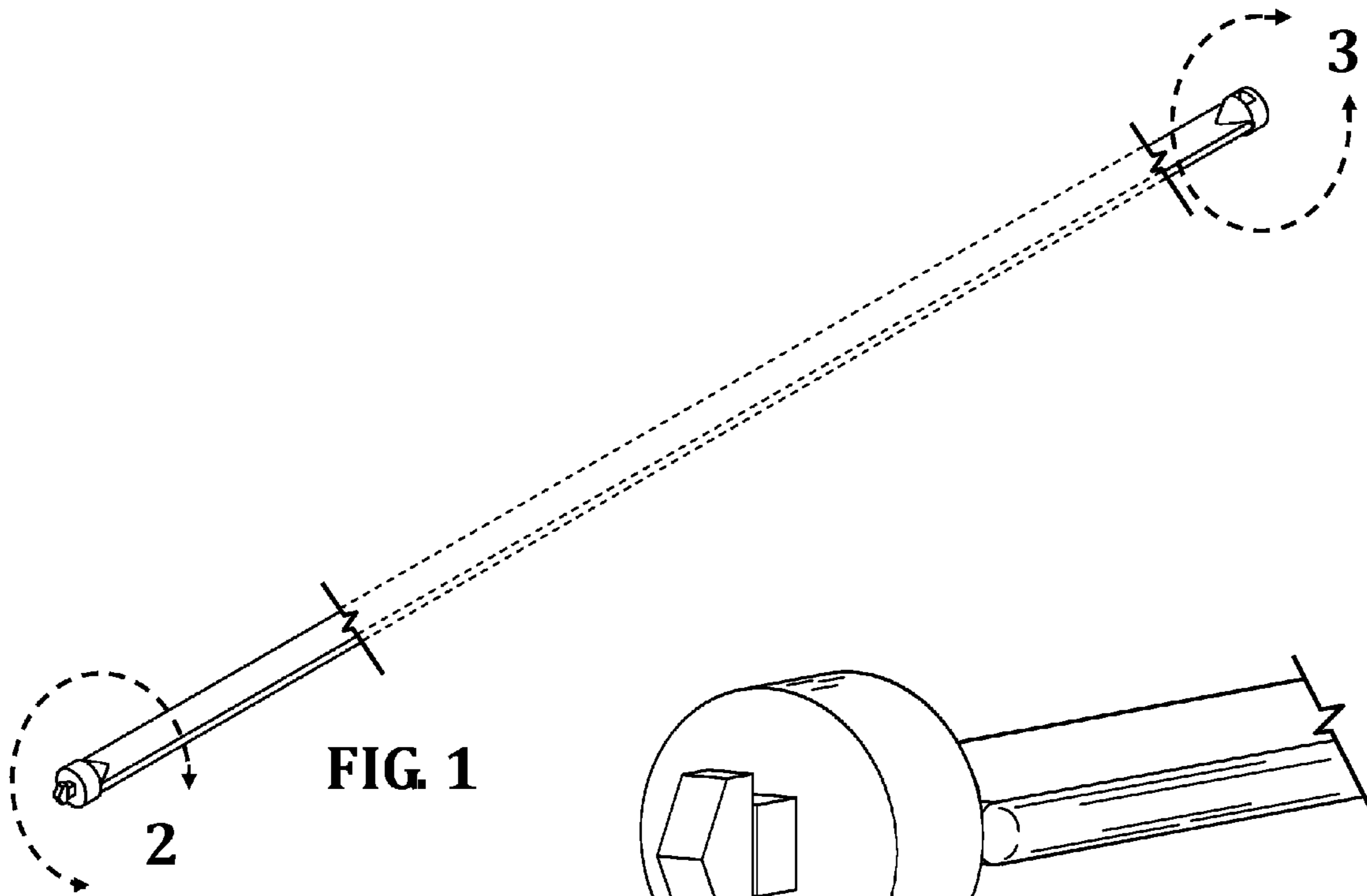


FIG. 1

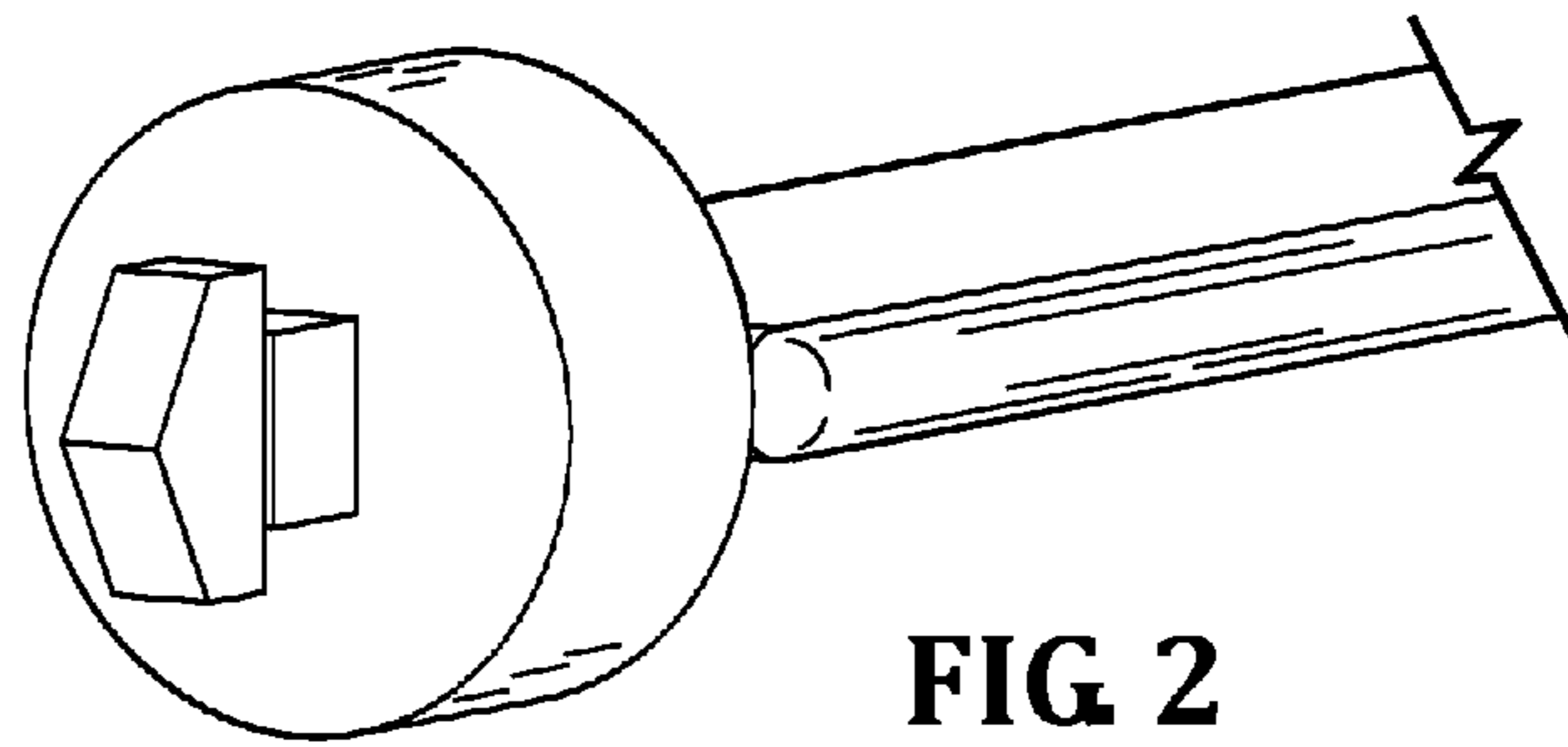


FIG. 2

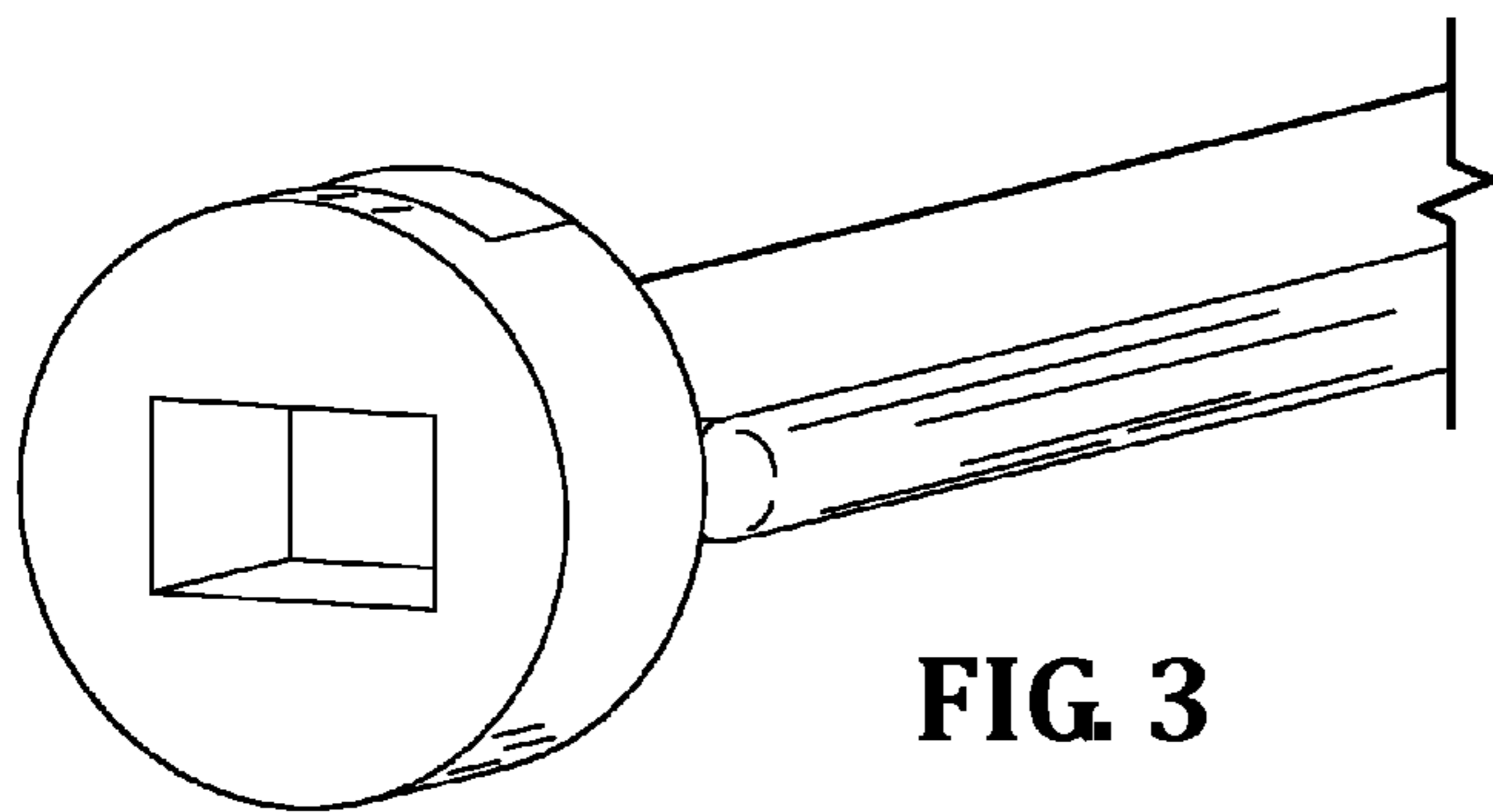


FIG. 3

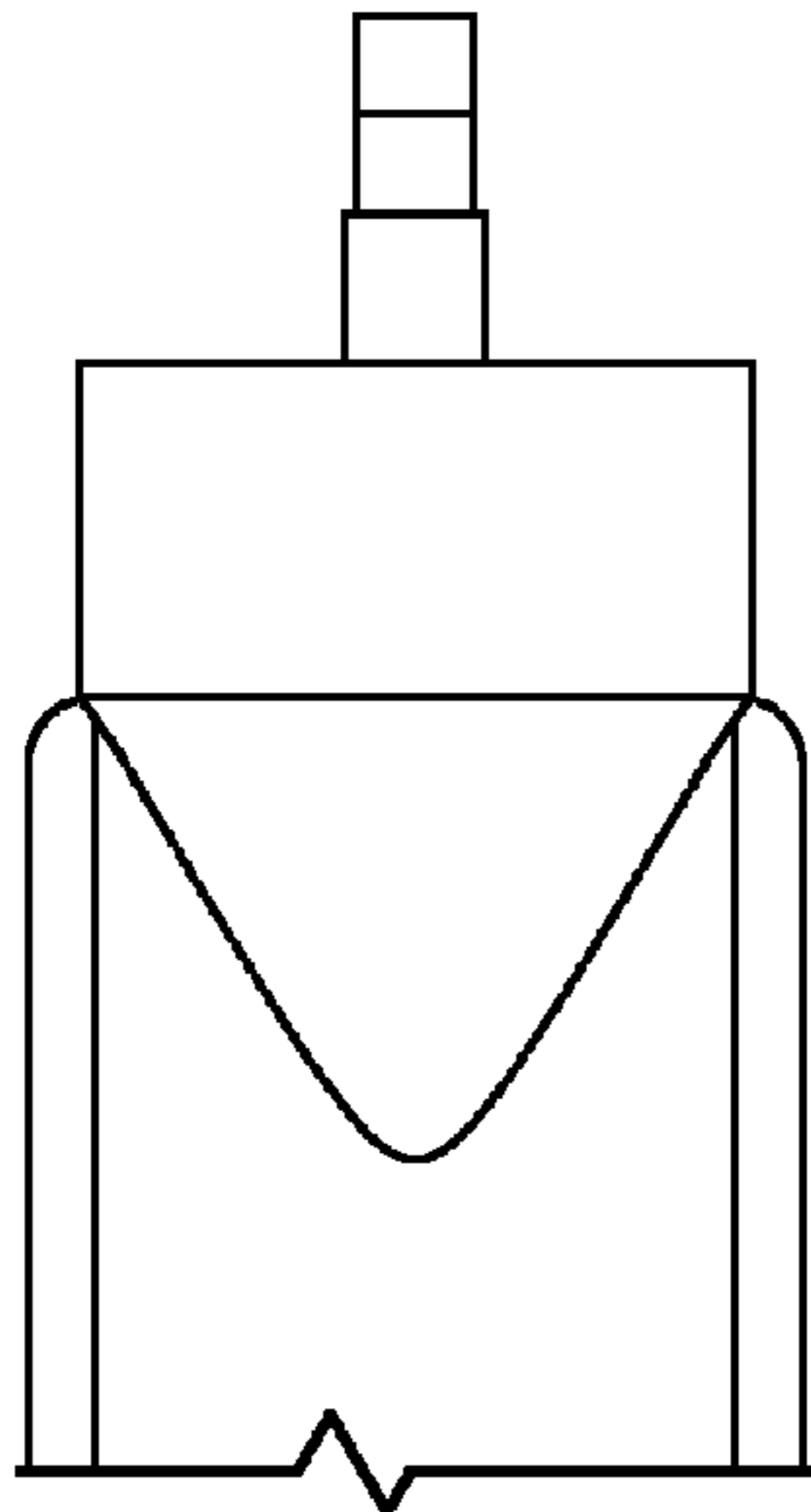


FIG. 4

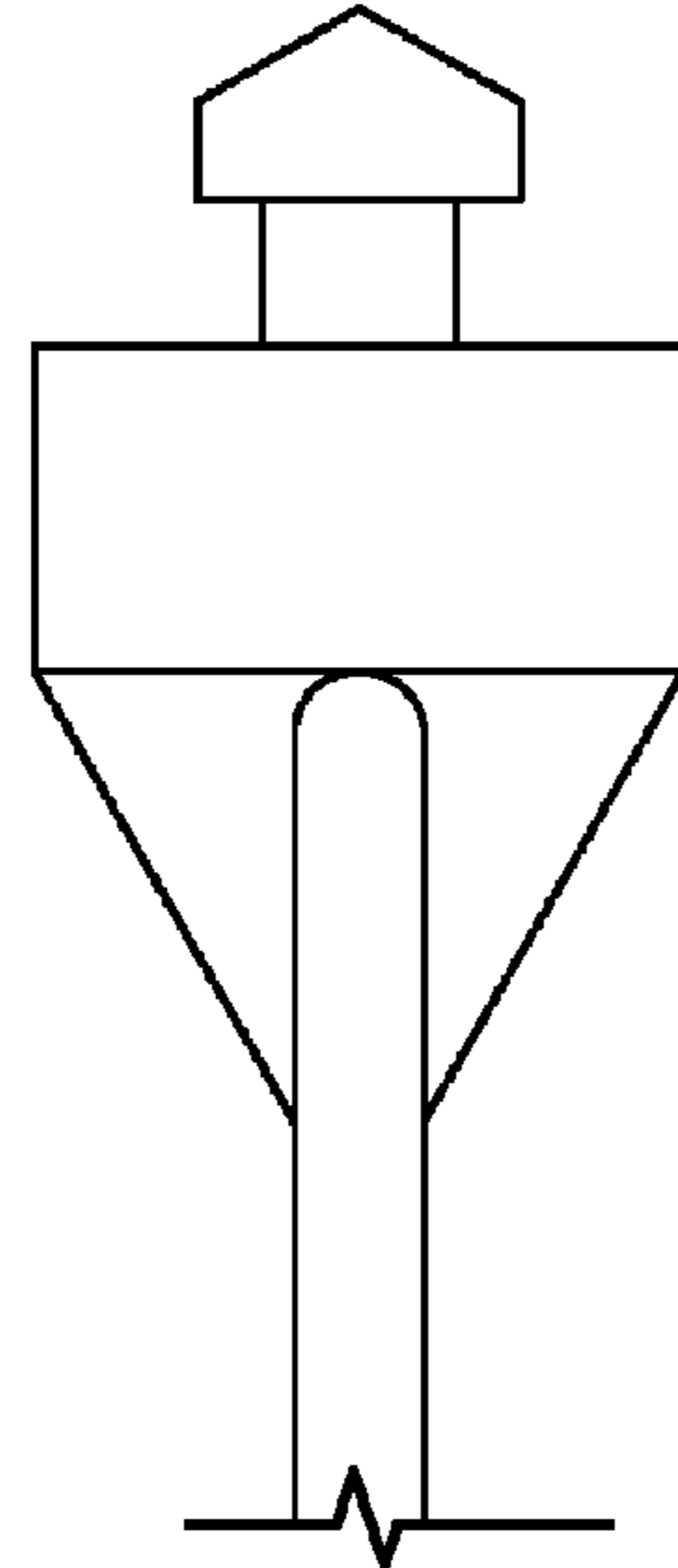


FIG. 5

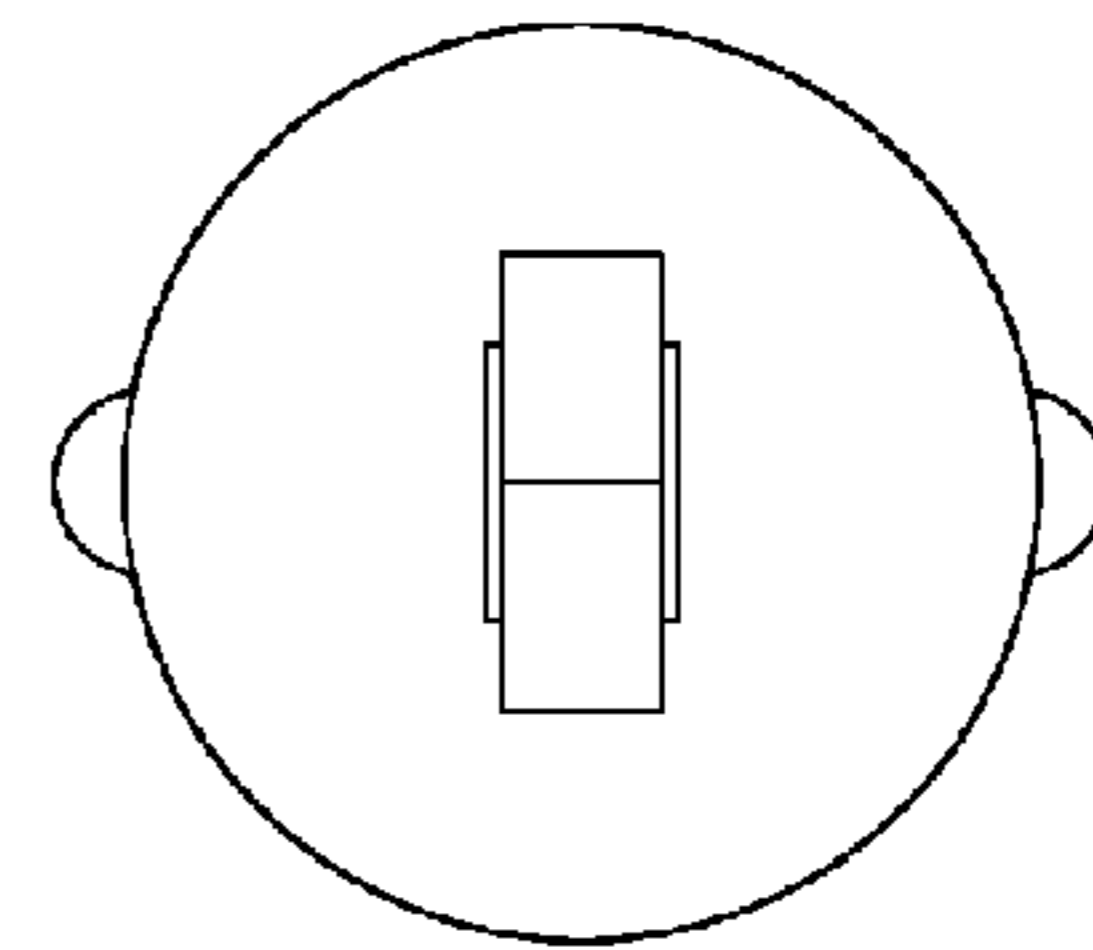


FIG. 6

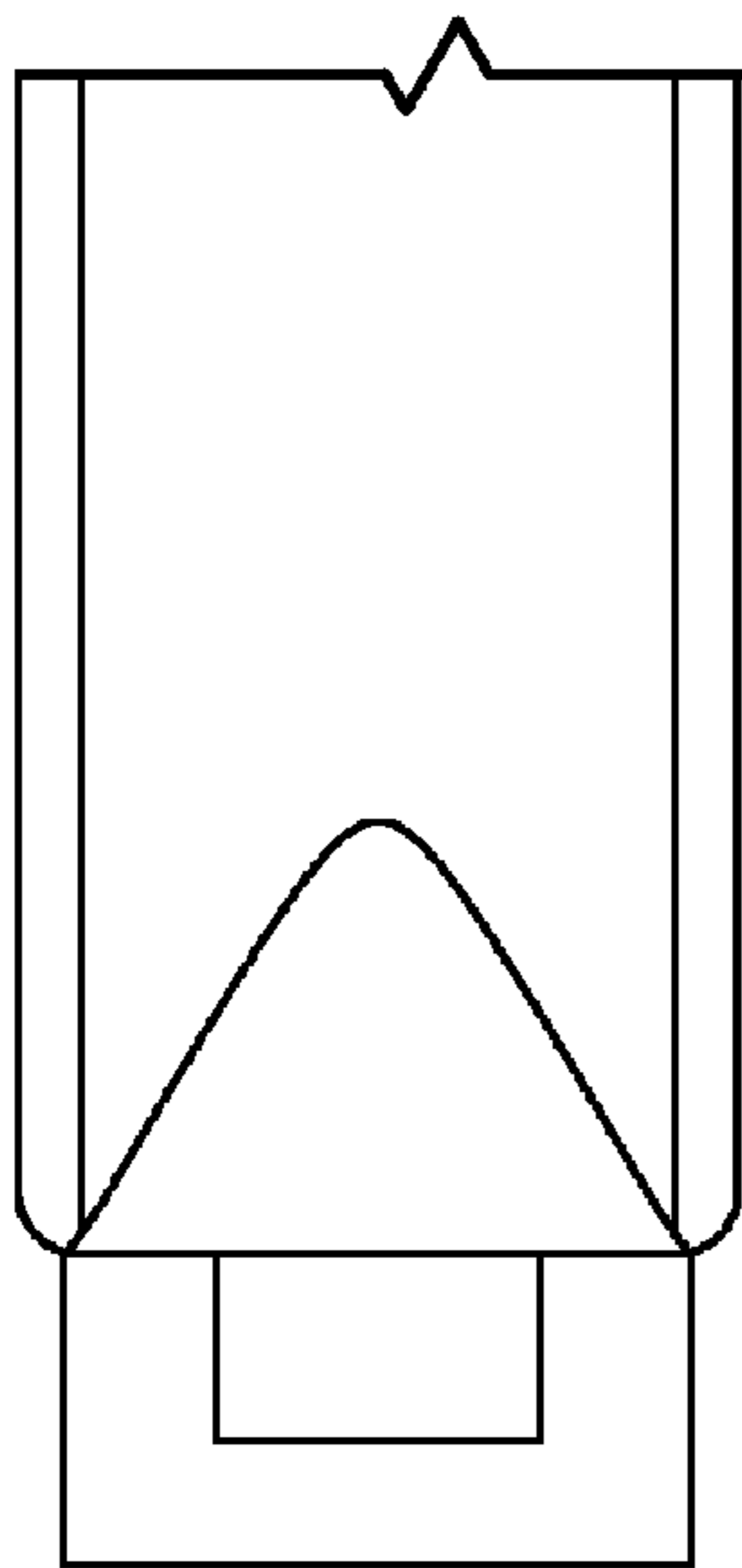


FIG. 7

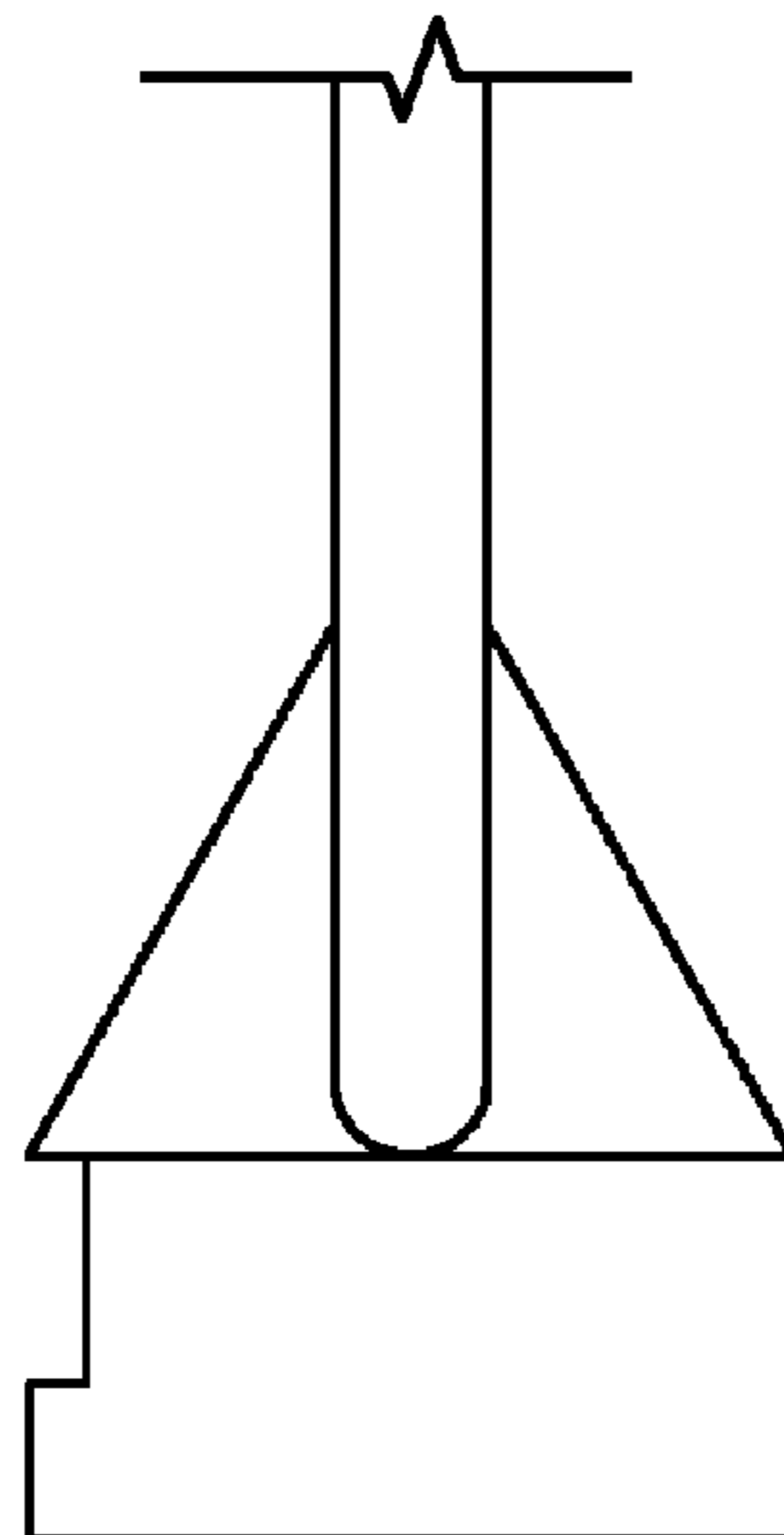


FIG. 8

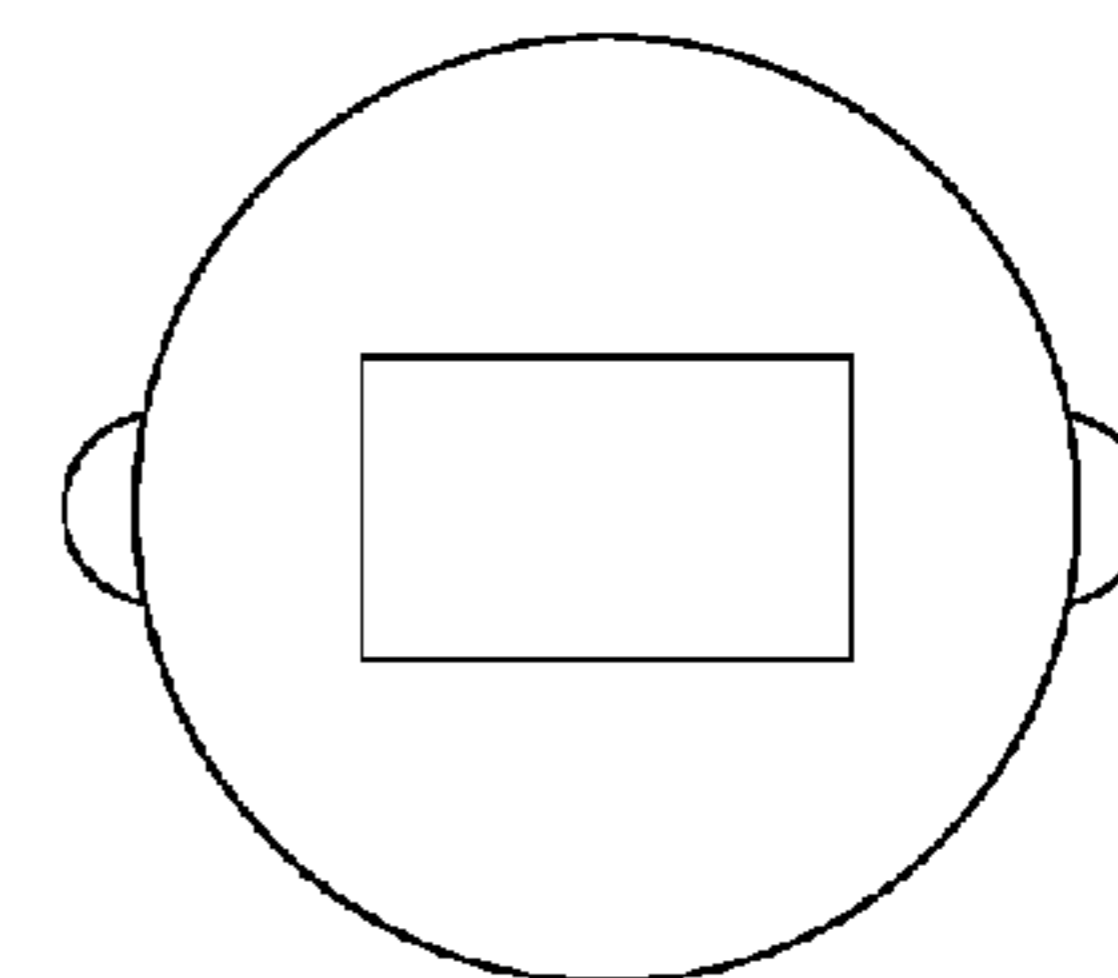


FIG. 9

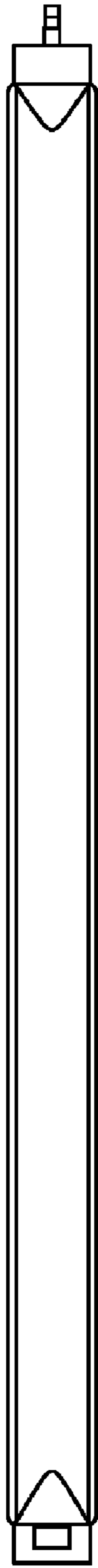


FIG. 10

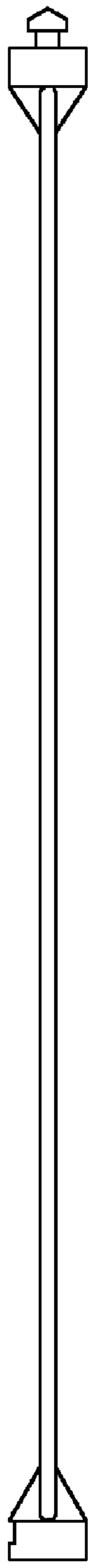


FIG. 11

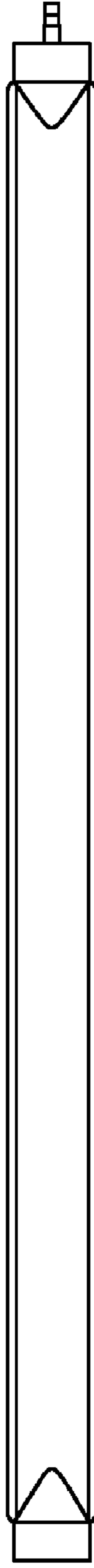


FIG. 12

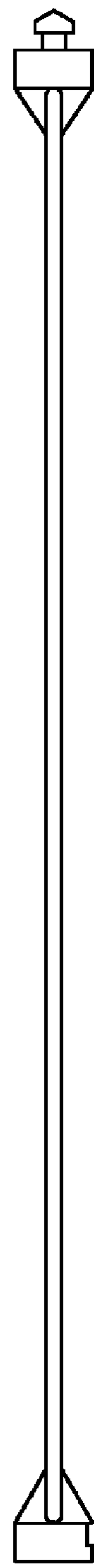


FIG. 13



FIG. 14

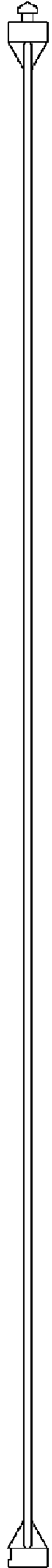


FIG. 15



FIG. 16

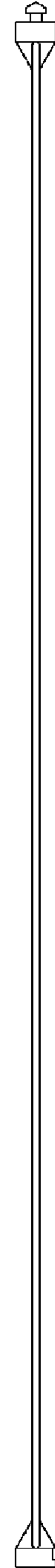


FIG. 17

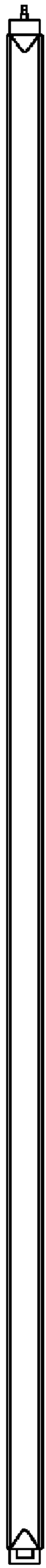


FIG. 18

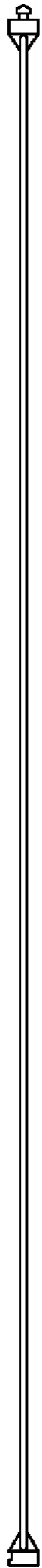


FIG. 19



FIG. 20

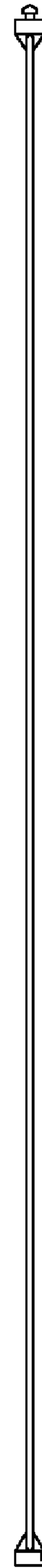


FIG. 21



FIG. 22

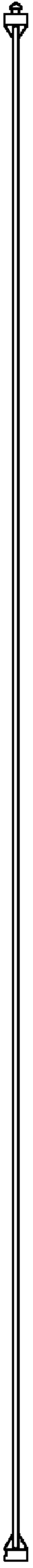


FIG. 23

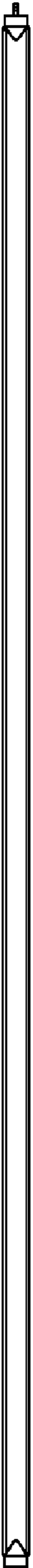


FIG. 24

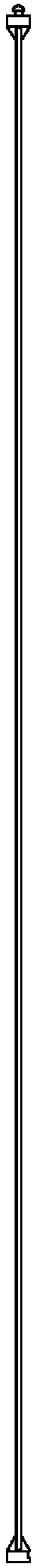


FIG. 25



FIG. 26



FIG. 27



FIG. 28



FIG. 29



FIG. 30



FIG. 31



FIG. 32



FIG. 33