



US00D631328S

(12) **United States Design Patent**
Chen

(10) **Patent No.:** **US D631,328 S**

(45) **Date of Patent:** **** Jan. 25, 2011**

(54) **REUSABLE AND SELF-LOCKING CABLE TIE**

(76) Inventor: **Kevin Fong Chen**, 3164 E. La Palma Ave., Unit N, Anaheim, CA (US) 92806

(**) Term: **14 Years**

(21) Appl. No.: **29/350,219**

(22) Filed: **Nov. 12, 2009**

(51) **LOC (9) Cl.** **08-05**

(52) **U.S. Cl.** **D8/356**

(58) **Field of Classification Search** D8/105,
D8/107, 333, 349, 354, 356, 358, 360, 360.1,
D8/367, 372, 373, 382, 383, 394-396, 400;
D13/133, 139.4, 153, 155; 24/18, 20 W,
24/23 W, 115 R, 129 C, 130, 131 R, 197,
24/561; 52/220.7; 174/72 A, 100, 135, 153 G,
174/650, 656; 211/86.01, 87.01, 94.01; 242/400.1,
242/405.1, 405.2, 600, 603; 248/65, 74.1-74.4,
248/201, 214, 215, 229.26

See application file for complete search history.

(56) **References Cited**

U.S. PATENT DOCUMENTS

2,936,980	A *	5/1960	Rapata	24/16 PB
3,118,200	A *	1/1964	Bell	24/16 PB
3,486,200	A *	12/1969	Orenick	24/16 PB
4,477,950	A *	10/1984	Cisek et al.	24/30.5 P
D281,301	S *	11/1985	Spolar	D10/46.2
D313,547	S *	1/1991	Buckles	D8/373
D319,559	S *	9/1991	Weiss	D8/1
D377,718	S *	2/1997	Abdi	D6/328
6,105,908	A *	8/2000	Kraus	248/74.3
D442,851	S *	5/2001	Wilson	D8/394

6,828,509 B2 * 12/2004 Ito et al. 174/135
D565,401 S * 4/2008 Grady et al. D8/394

* cited by examiner

Primary Examiner—Robert M Spear

Assistant Examiner—Karen Acker

(74) *Attorney, Agent, or Firm*—QuickPatents, Inc.; Kevin Prince

(57) **CLAIM**

What is claimed is the ornamental design for a reusable and self-locking cable tie, as shown and described.

DESCRIPTION

FIG. 1 is a perspective view of a reusable and self-locking cable tie, illustrated in an engaged position, showing the new design;

FIG. 2 is an alternate perspective view thereof, illustrated in a flat position;

FIG. 3 is a front elevational view thereof, illustrated in the flat position, the rear elevational view being a mirror image thereof;

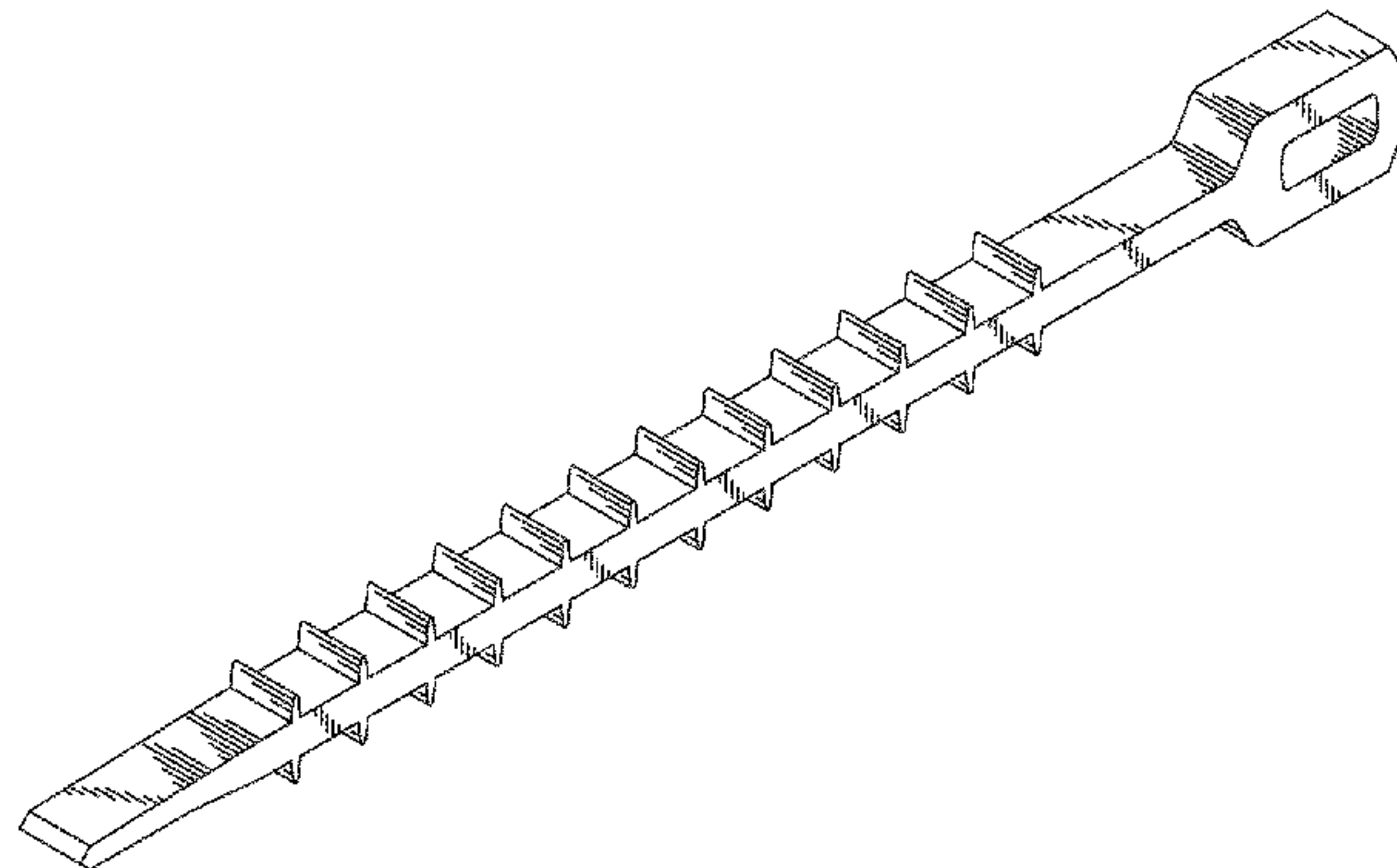
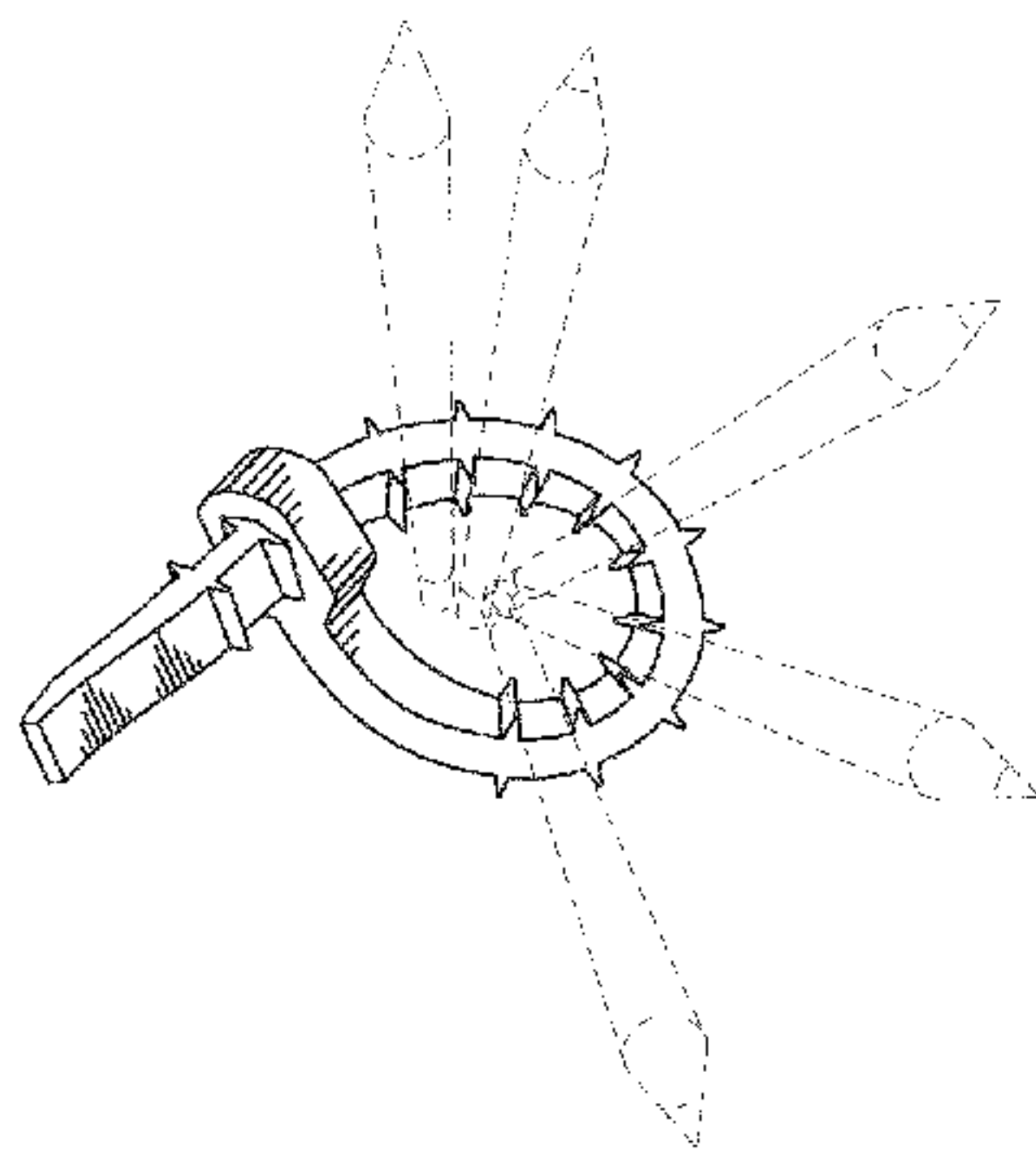
FIG. 4 is a top plan view thereof, illustrated in the flat position, the bottom plan view being a mirror image thereof;

FIG. 5 is a left-side elevational view thereof, illustrated in the flat position; and,

FIG. 6 is a right-side elevational view thereof, illustrated in the flat position.

The broken lines showing a plurality of writing instruments in FIG. 1 are included for the purpose of illustrating the invention in use, and form no part of the claimed design.

1 Claim, 1 Drawing Sheet



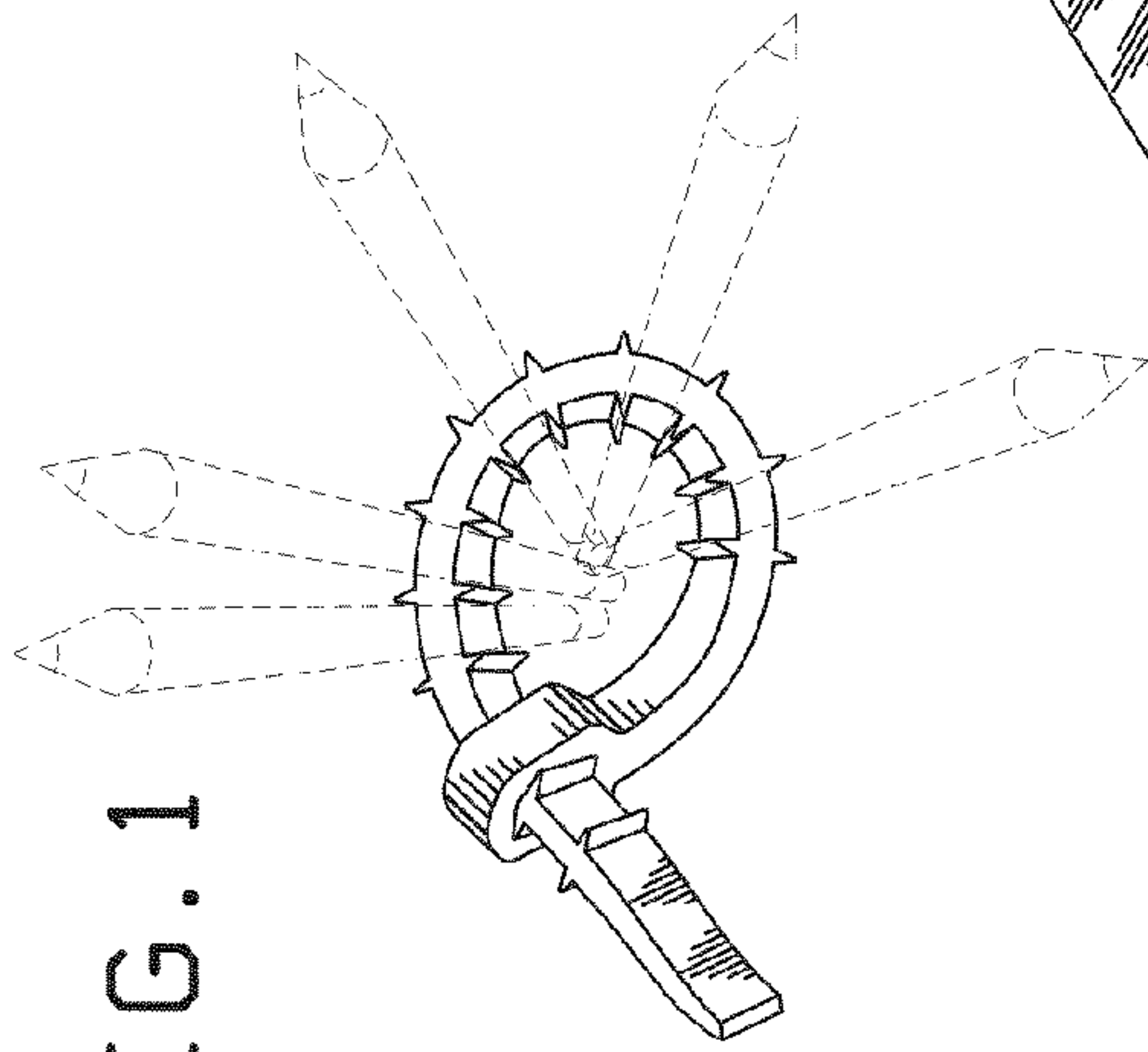


FIG. 1

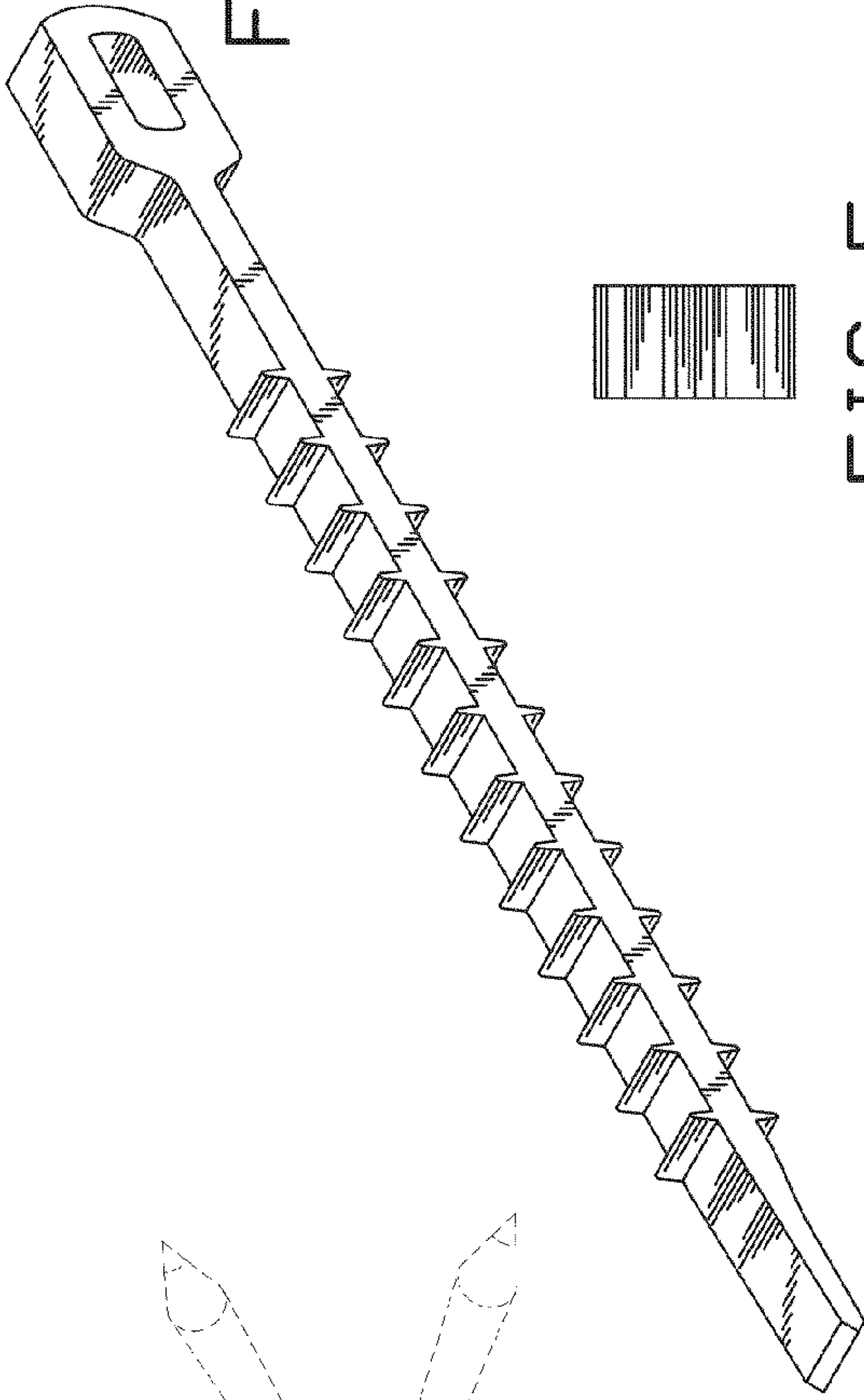


FIG. 2

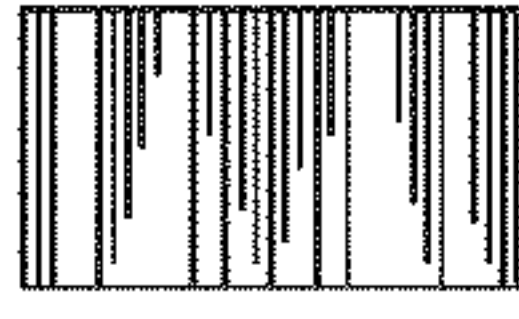


FIG. 5



FIG. 6



FIG. 3

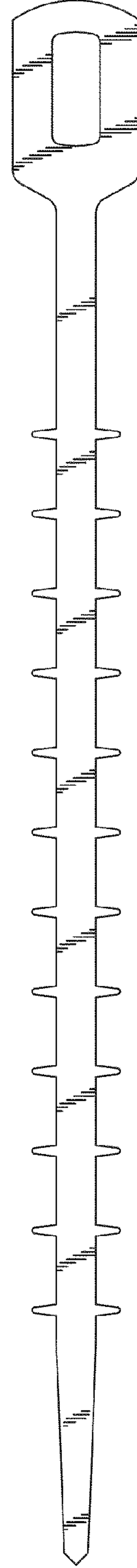


FIG. 4