



US00D631327S

(12) **United States Design Patent**
Maraia

(10) **Patent No.:** **US D631,327 S**

(45) **Date of Patent:** **** Jan. 25, 2011**

(54) **STRAP FOR ORGANIZING AND/OR IDENTIFYING ELONGATED OBJECTS**

(76) Inventor: **Micah L Maraia**, 2920 Ingalls Rd., Menomonie, WI (US) 54751

(**) Term: **14 Years**

(21) Appl. No.: **29/349,273**

(22) Filed: **Mar. 22, 2010**

(51) **LOC (9) Cl.** **08-06**

(52) **U.S. Cl.** **D8/356**

(58) **Field of Classification Search** D8/105, D8/107, 333, 349, 354, 356, 358, 360, 360.1, D8/367, 372, 373, 382, 383, 394-396, 400; D13/133, 139.4, 153, 155; 24/18, 20 W, 24/23 W, 115 R, 129 C, 130, 131 R, 197, 24/561; 52/220.7; 174/72 A, 100, 135, 153 G, 174/650, 656; 211/86.01, 87.01, 94.01; 242/400.1, 242/405.1, 405.2, 600, 603; 248/65, 74.1-74.4, 248/201, 214, 215, 229.26

See application file for complete search history.

(56) **References Cited**

U.S. PATENT DOCUMENTS

3,048,526	A	*	8/1962	Boswell	424/472
4,584,858	A	*	4/1986	Wolter	70/456 R
D342,808	S	*	12/1993	Bakic	D28/82
D365,371	S	*	12/1995	Dunlap	D20/28
D468,058	S	*	12/2002	Thorpe	D28/82
D530,184	S	*	10/2006	Oas	D8/333
D550,077	S	*	9/2007	Lagreca et al.	D9/415
D554,292	S	*	10/2007	Thorpe	D28/82

D561,470	S	*	2/2008	Jalet	D3/294
D574,607	S	*	8/2008	Kelleghan	D3/207
D575,955	S	*	9/2008	Maraia et al.	D3/264
D603,456	S	*	11/2009	Brodsky	D20/28
D616,032	S	*	5/2010	Maraia	D20/28

* cited by examiner

Primary Examiner—Robert M Spear

Assistant Examiner—Karen Acker

(74) *Attorney, Agent, or Firm*—Albert W Davis, Jr.

(57) **CLAIM**

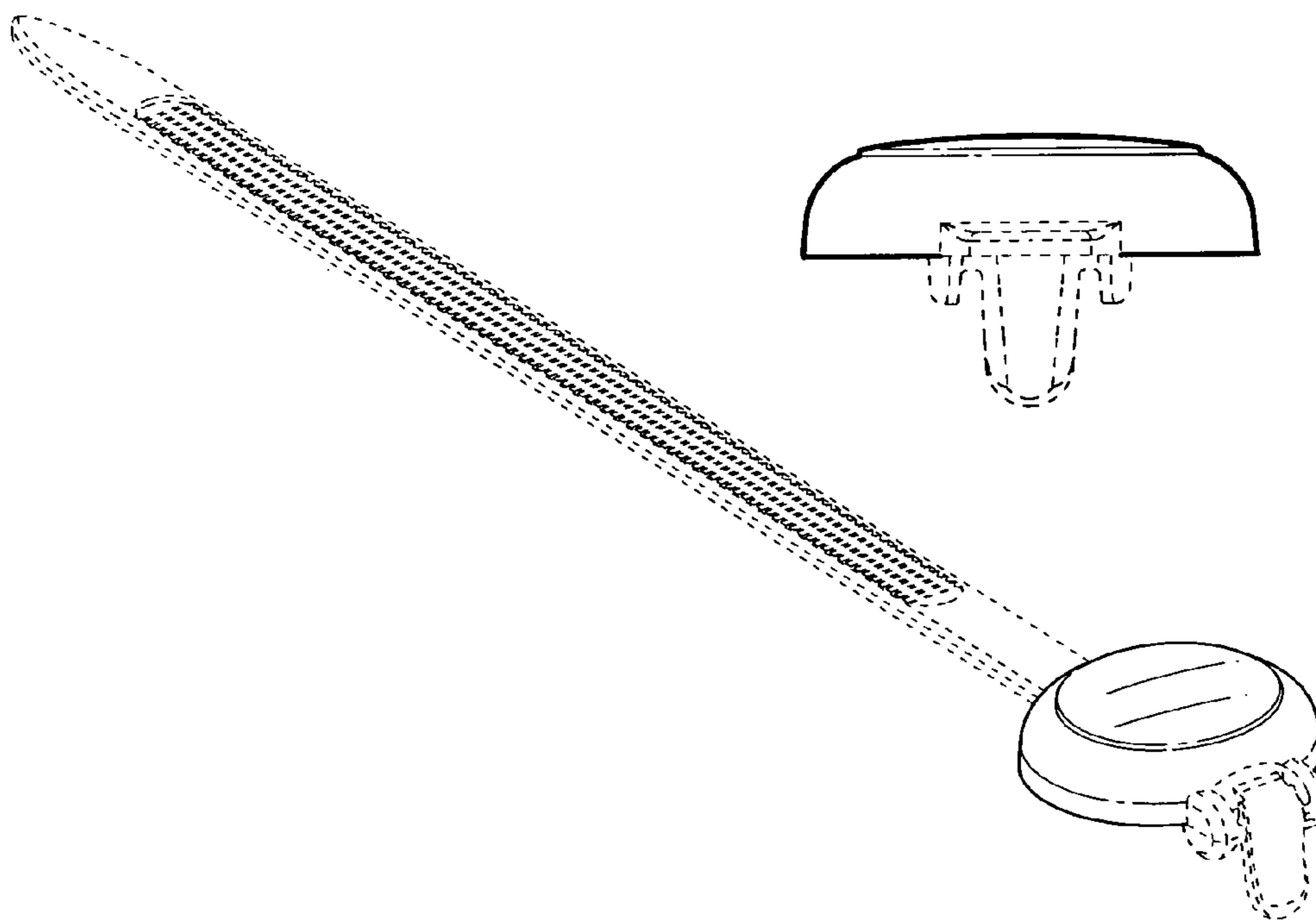
The ornamental design for a strap for organizing and/or identifying elongated objects, as shown and described.

DESCRIPTION

FIG. 1 is a top perspective view of the strap for organizing and/or identifying elongated objects showing my new design; FIG. 2 is a top view thereof; FIG. 3 is a bottom view thereof; FIG. 4 is a left side view thereof; FIG. 5 is a right side view thereof; FIG. 6 is a front view thereof; and, FIG. 7 is a back view thereof.

The broken line representations of portions of the remainder of the strap for organizing and/or identifying elongated objects in FIGS. 1-7 form no part the claimed design; those broken lines immediately adjacent to areas defined by solid lines depict boundaries of the claimed design and form no part thereof.

1 Claim, 4 Drawing Sheets



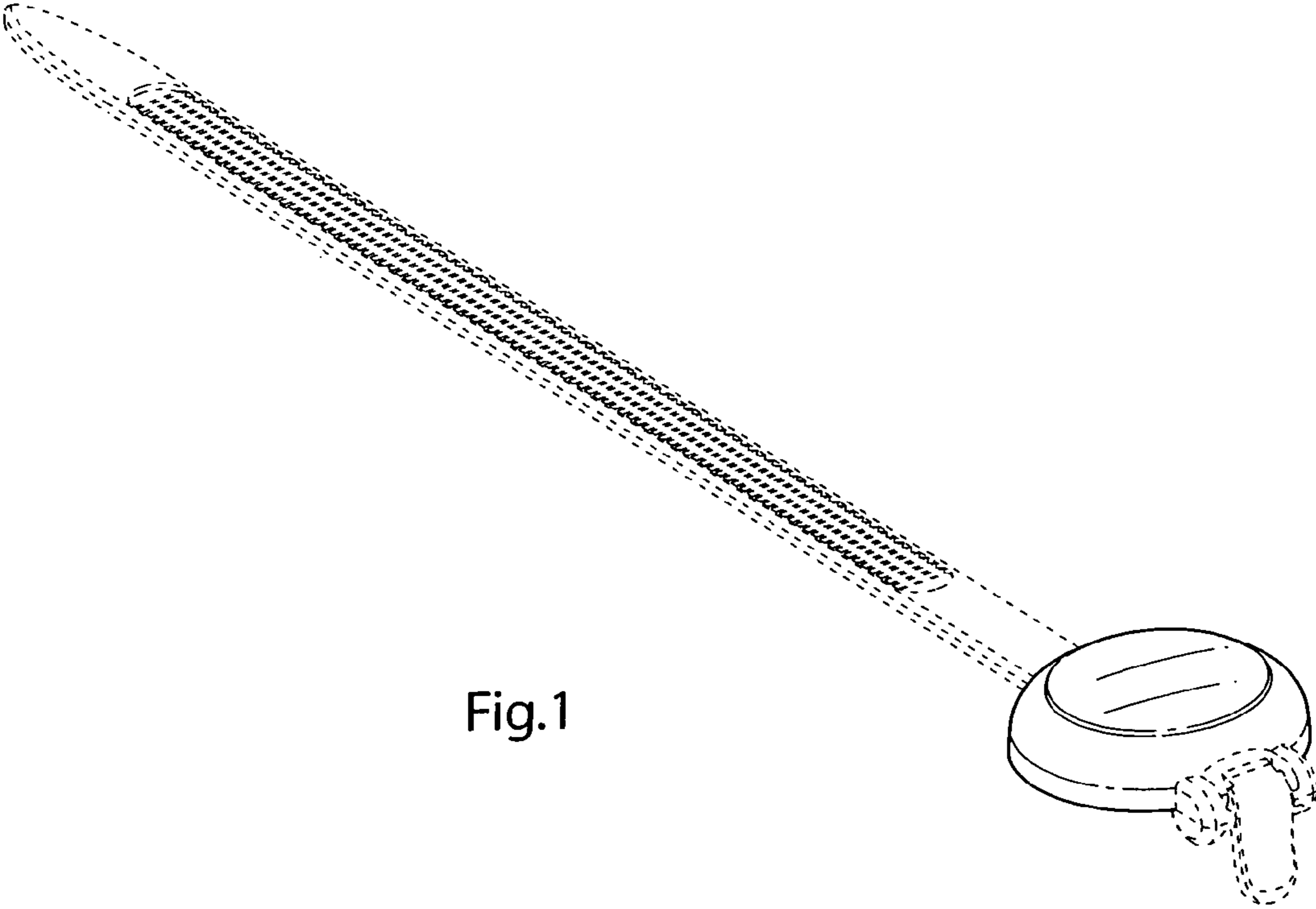


Fig. 1

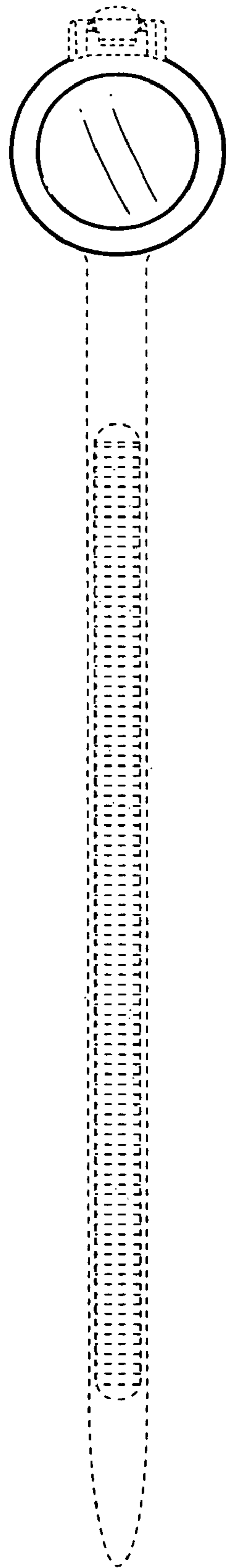


Fig.2

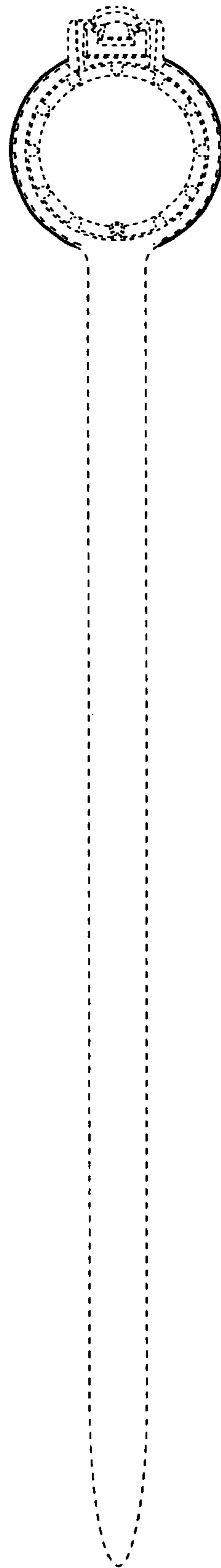


Fig.3

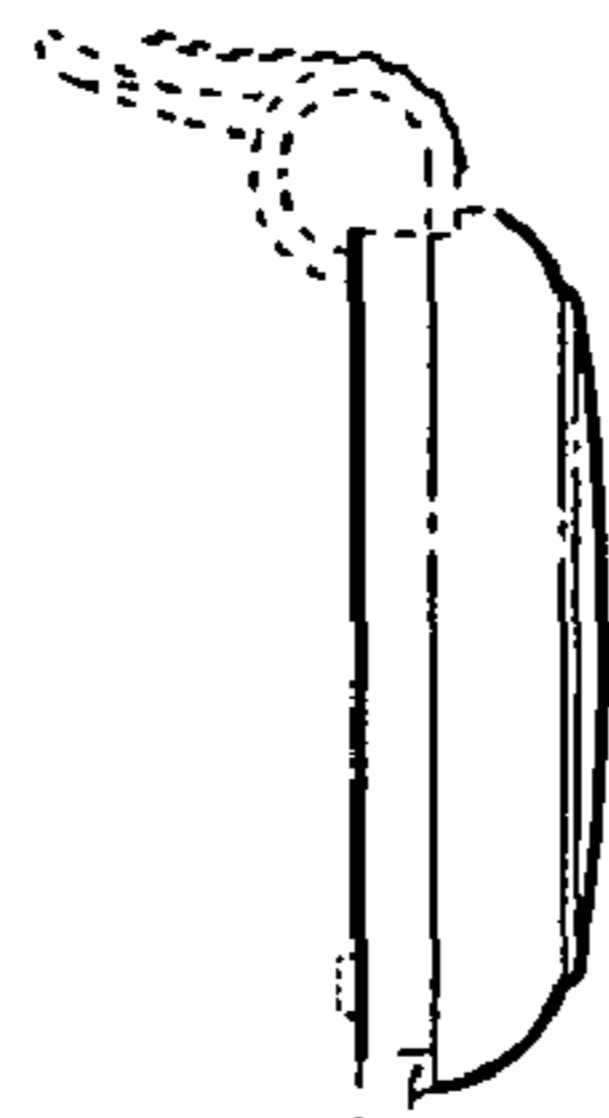


Fig.4

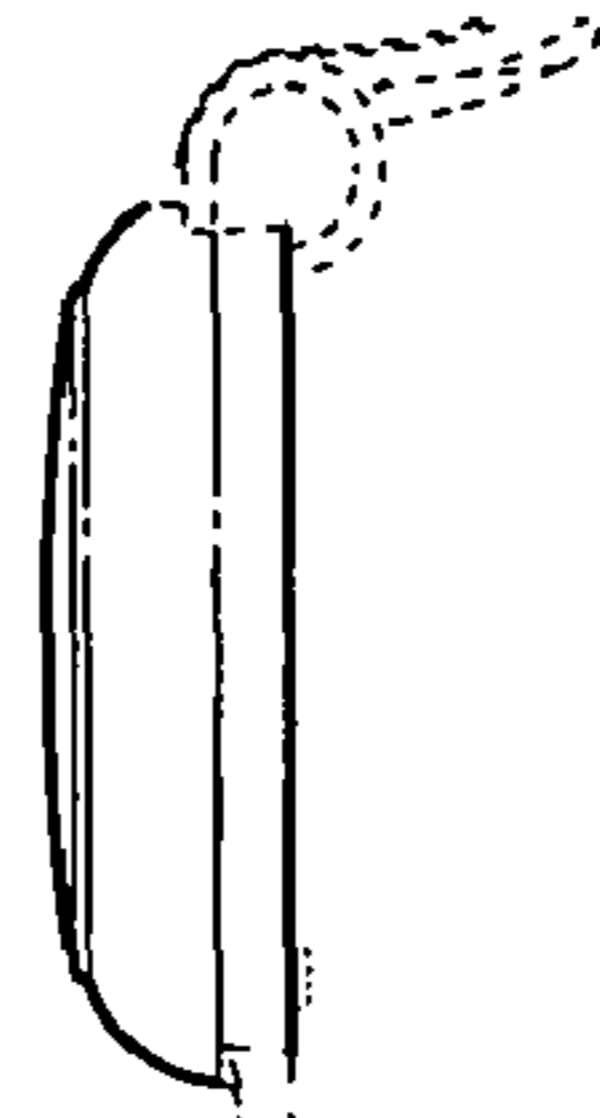


Fig.5

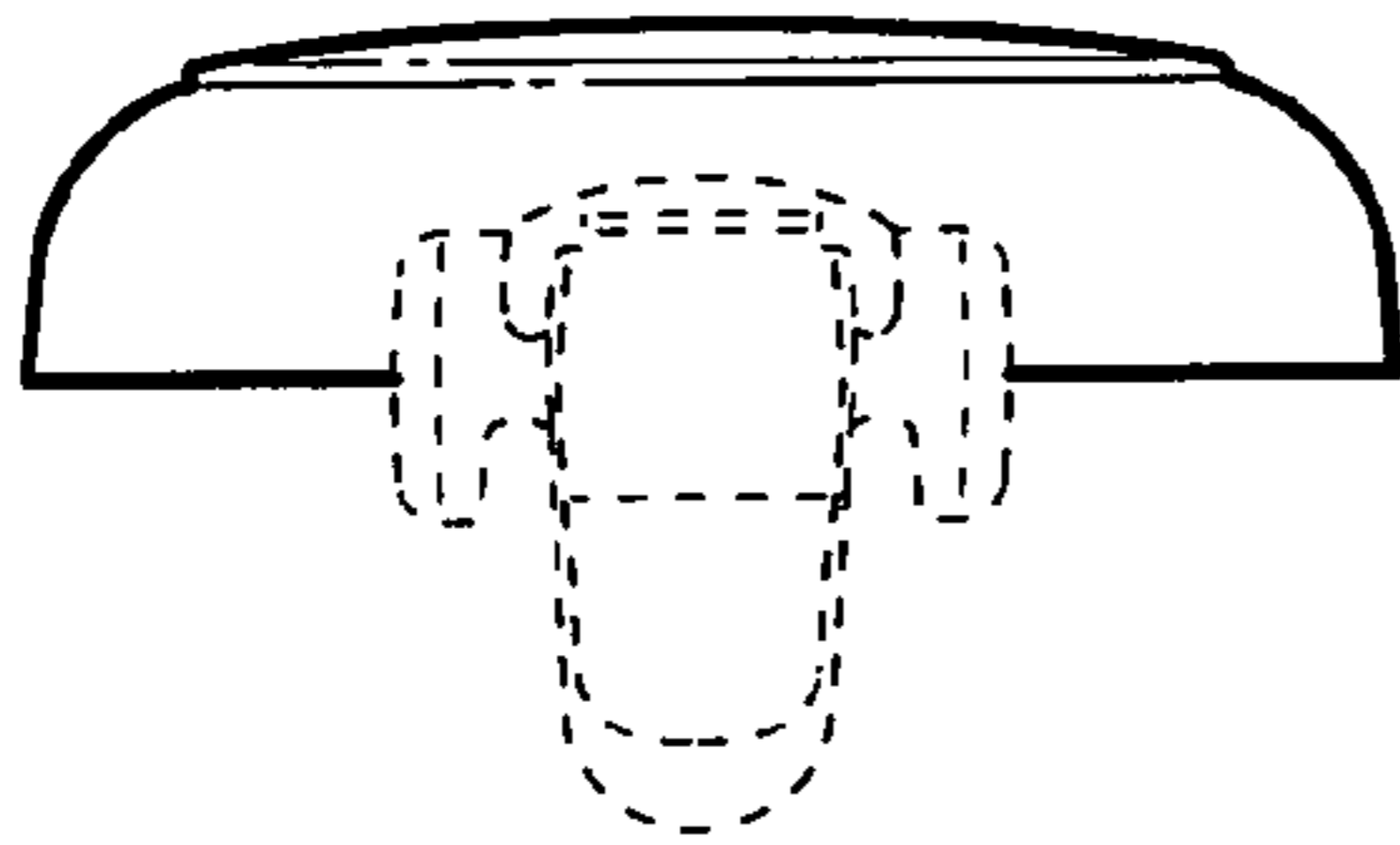


Fig.6

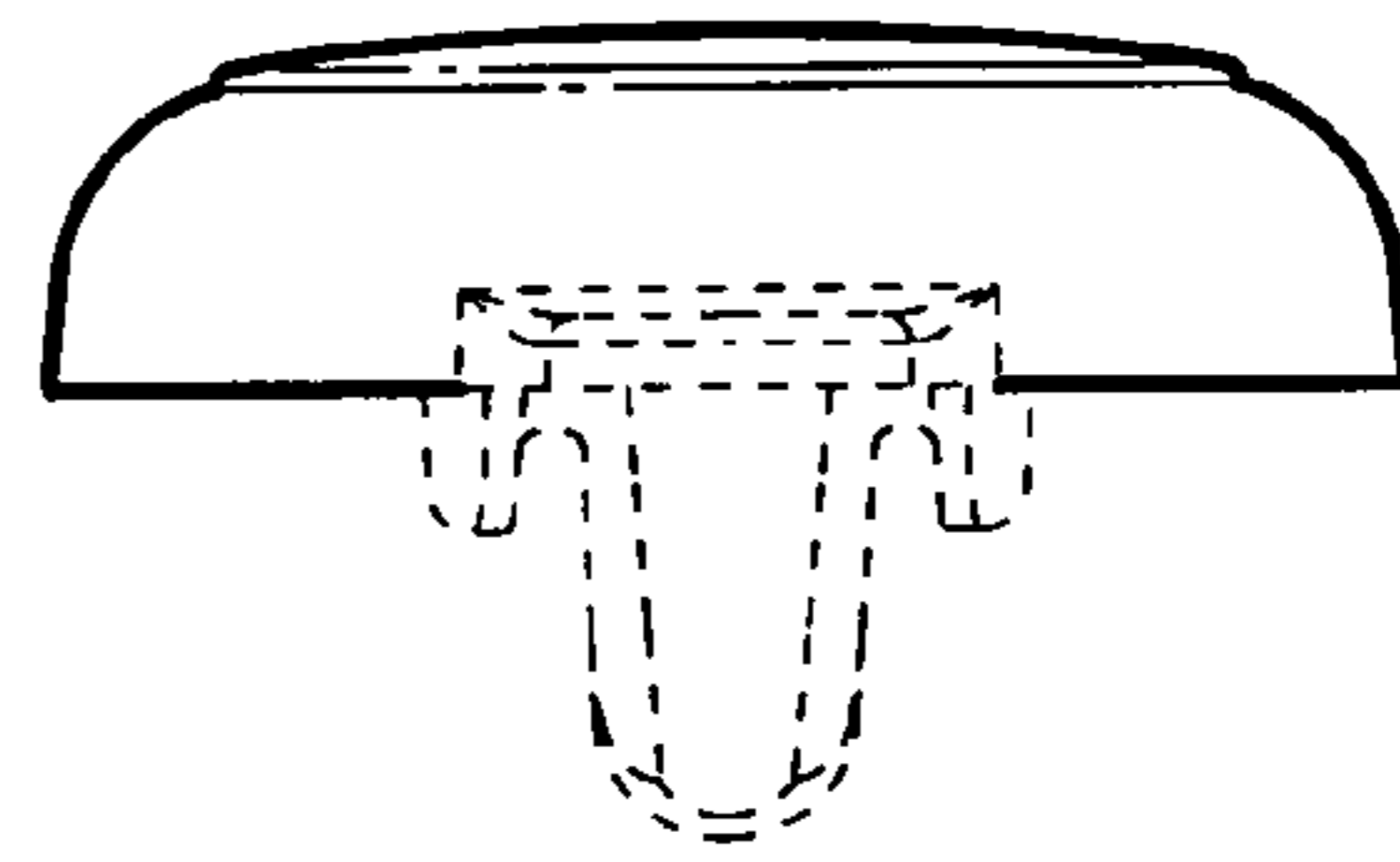


Fig.7