



US00D631324S

(12) **United States Design Patent**
Azuma et al.

(10) **Patent No.:** **US D631,324 S**

(45) **Date of Patent:** **** *Jan. 25, 2011**

(54) **PIPE SUPPORT BASE**

(75) Inventors: **Masatoshi Azuma**, Tokyo (JP); **Atsushi Hikoyama**, Tokyo (JP)

(73) Assignee: **Advance Co., Ltd.**, Tokyo (JP)

(*) Notice: This patent is subject to a terminal disclaimer.

(**) Term: **14 Years**

(21) Appl. No.: **29/340,644**

(22) Filed: **Jul. 22, 2009**

(51) **LOC (9) Cl.** **08-05**

(52) **U.S. Cl.** **D8/354**

(58) **Field of Classification Search** D8/349,
D8/354, 373, 376, 380, 377; D25/119–126;
52/831, 836; 428/36.9, 122

See application file for complete search history.

(56) **References Cited**

U.S. PATENT DOCUMENTS

D329,708 S *	9/1992	Valentin	D25/125
D330,264 S *	10/1992	Valentin	D25/124
D420,149 S *	2/2000	Hersh et al.	D25/119
D431,658 S *	10/2000	Gregori	D25/122
D471,648 S *	3/2003	Chaney et al.	D25/124
D489,465 S *	5/2004	Allsopp	D25/119
D489,828 S *	5/2004	Barnett	D25/119
D496,248 S *	9/2004	Liebendorfer	D8/354

D518,900 S *	4/2006	Barnett	D25/119
D543,491 S *	5/2007	Weekes	D12/106
D550,484 S *	9/2007	Bonatti et al.	D6/509
D584,427 S *	1/2009	Chaney	D25/124
D592,487 S *	5/2009	Tedesco et al.	D8/349
D595,984 S *	7/2009	Kollman et al.	D6/580
2003/0005644 A1 *	1/2003	Reithmeyer et al.	49/467

* cited by examiner

Primary Examiner—Elizabeth A Albert

Assistant Examiner—Kelley A Donnelly

(74) *Attorney, Agent, or Firm*—Apex Juris, pllc; Tracy M Heims

(57) **CLAIM**

The ornamental design for a pipe support base, as shown and described.

DESCRIPTION

FIG. 1 is a front perspective view of a pipe support base showing our new design;

FIG. 2 is a front perspective in an inverted position thereof;

FIG. 3 is a front view of FIG. 1;

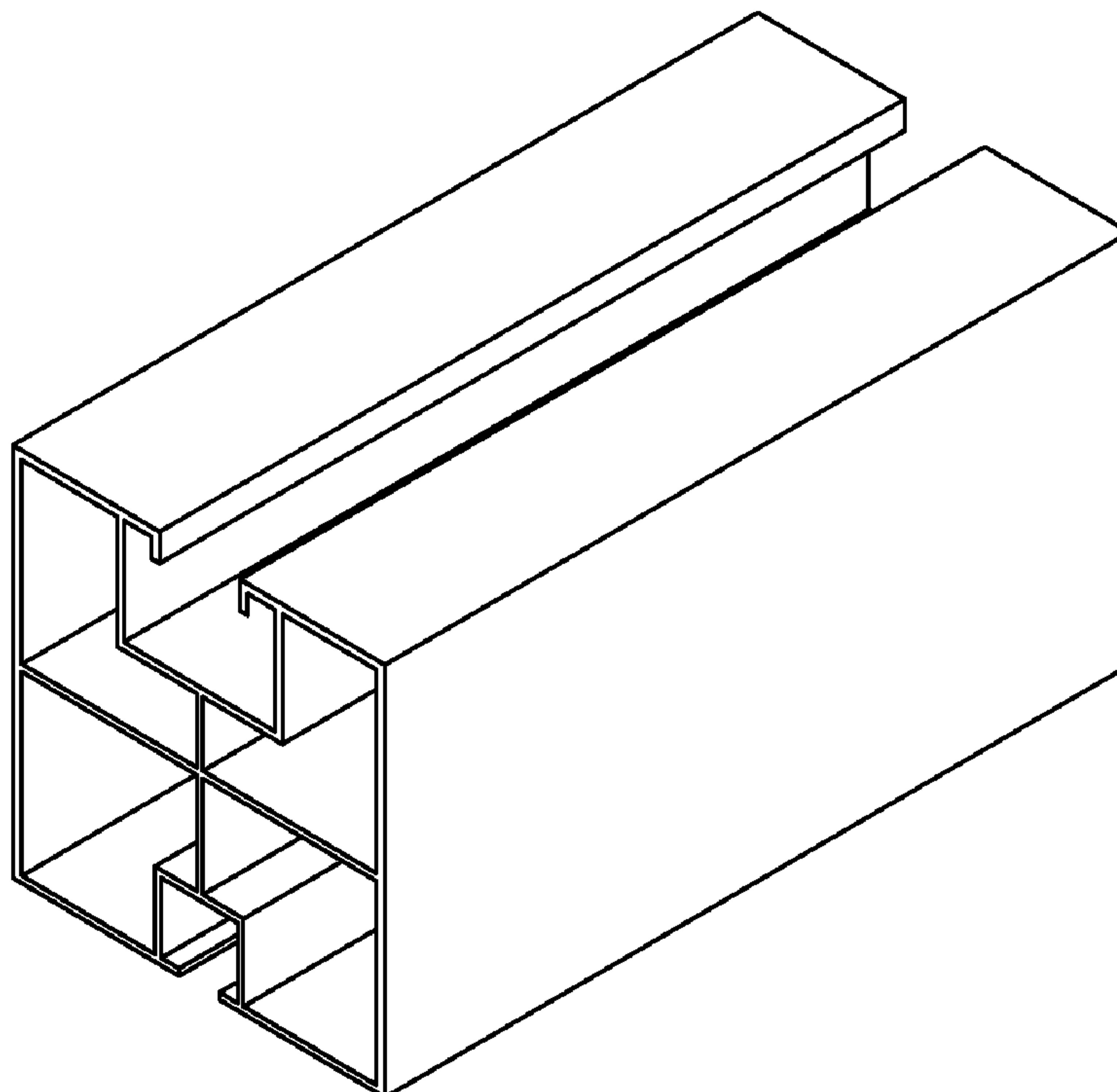
FIG. 4 is a top plan view of FIG. 1;

FIG. 5 is a bottom plan view of FIG. 1;

FIG. 6 is a right side view of FIG. 1; the left side view being a mirror image; and,

FIG. 7 is a cross sectional view of FIG. 6 taken along the line 7—7.

1 Claim, 4 Drawing Sheets



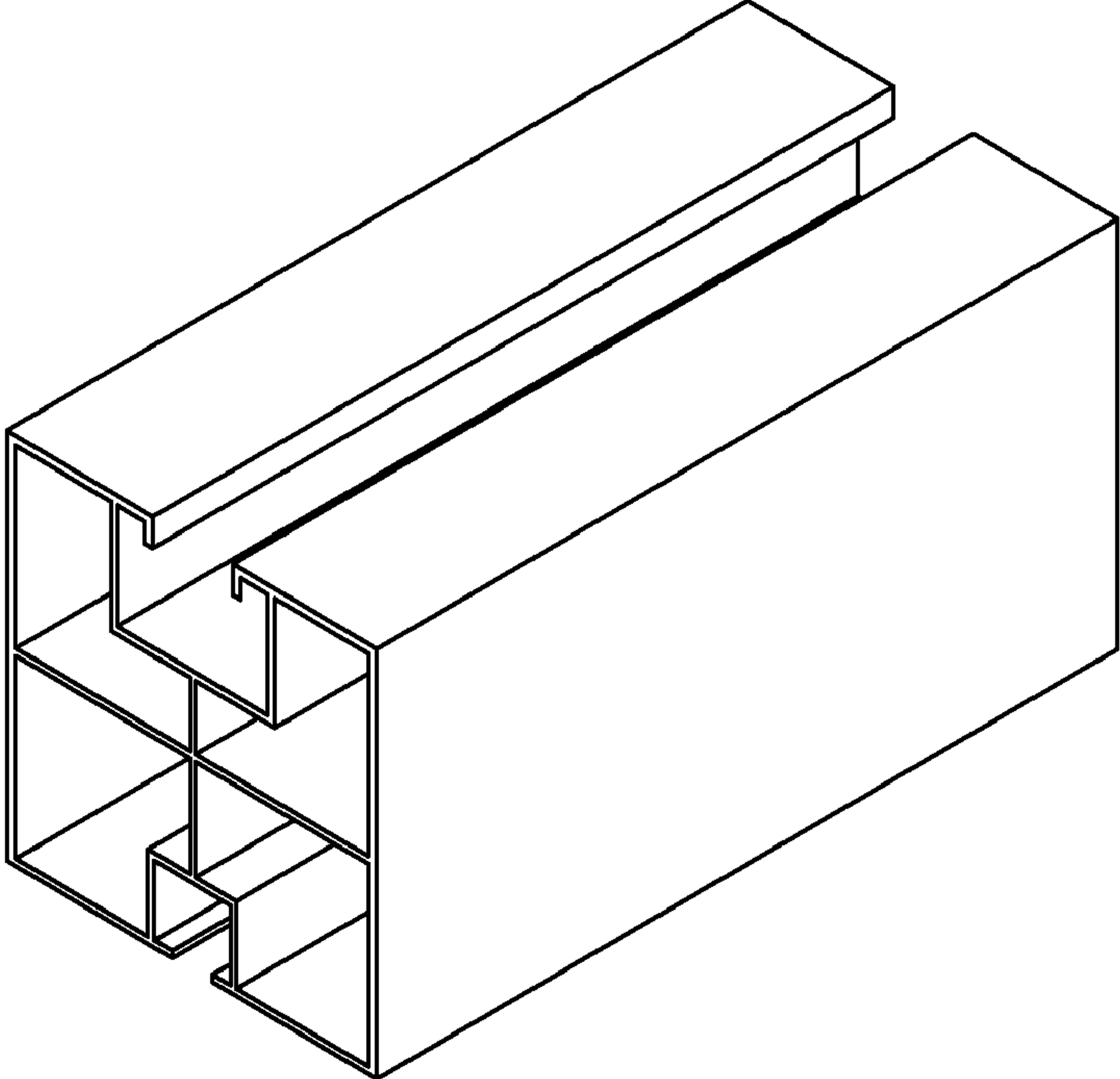


FIG. 1

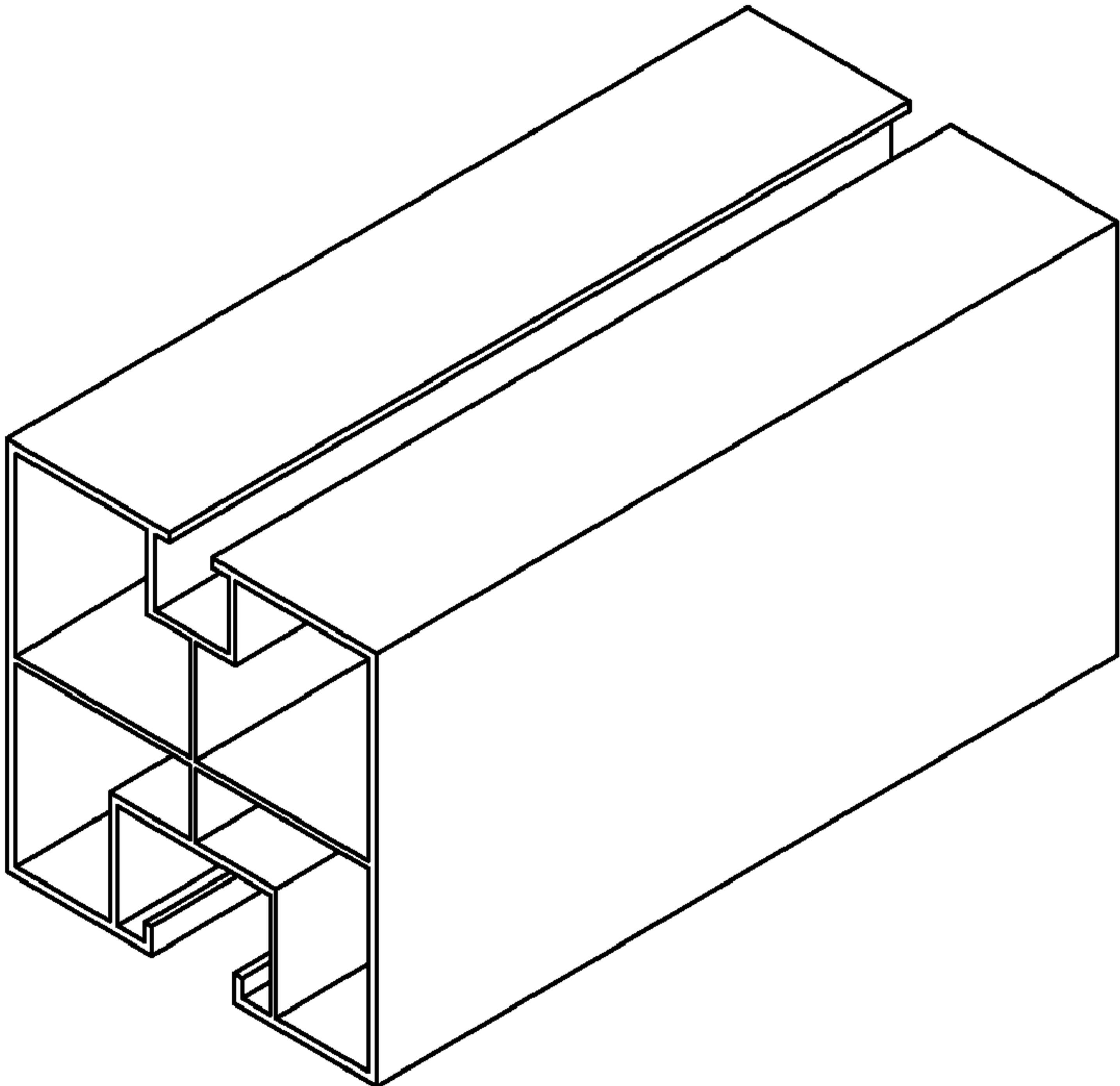


FIG. 2

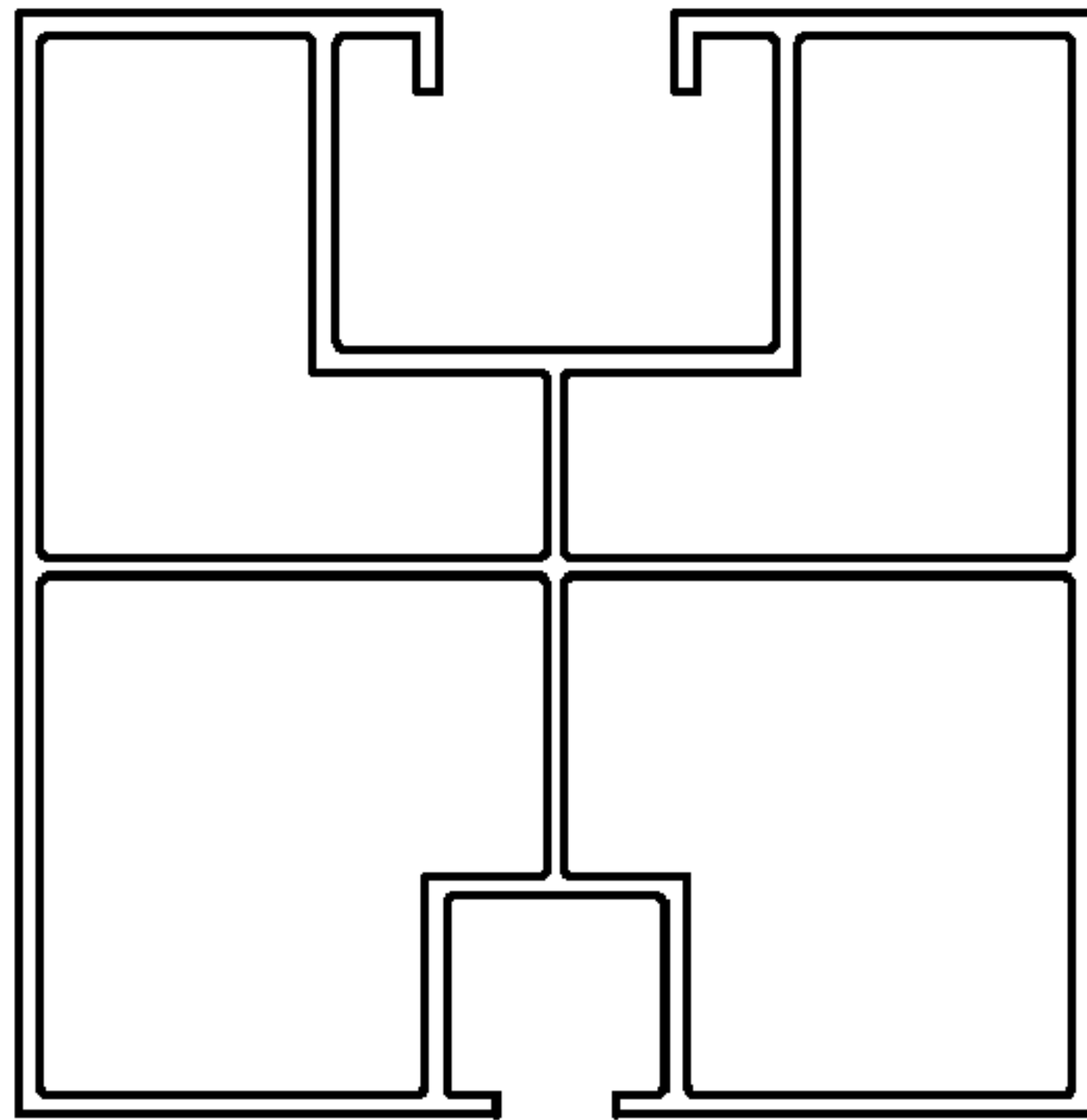


FIG. 3

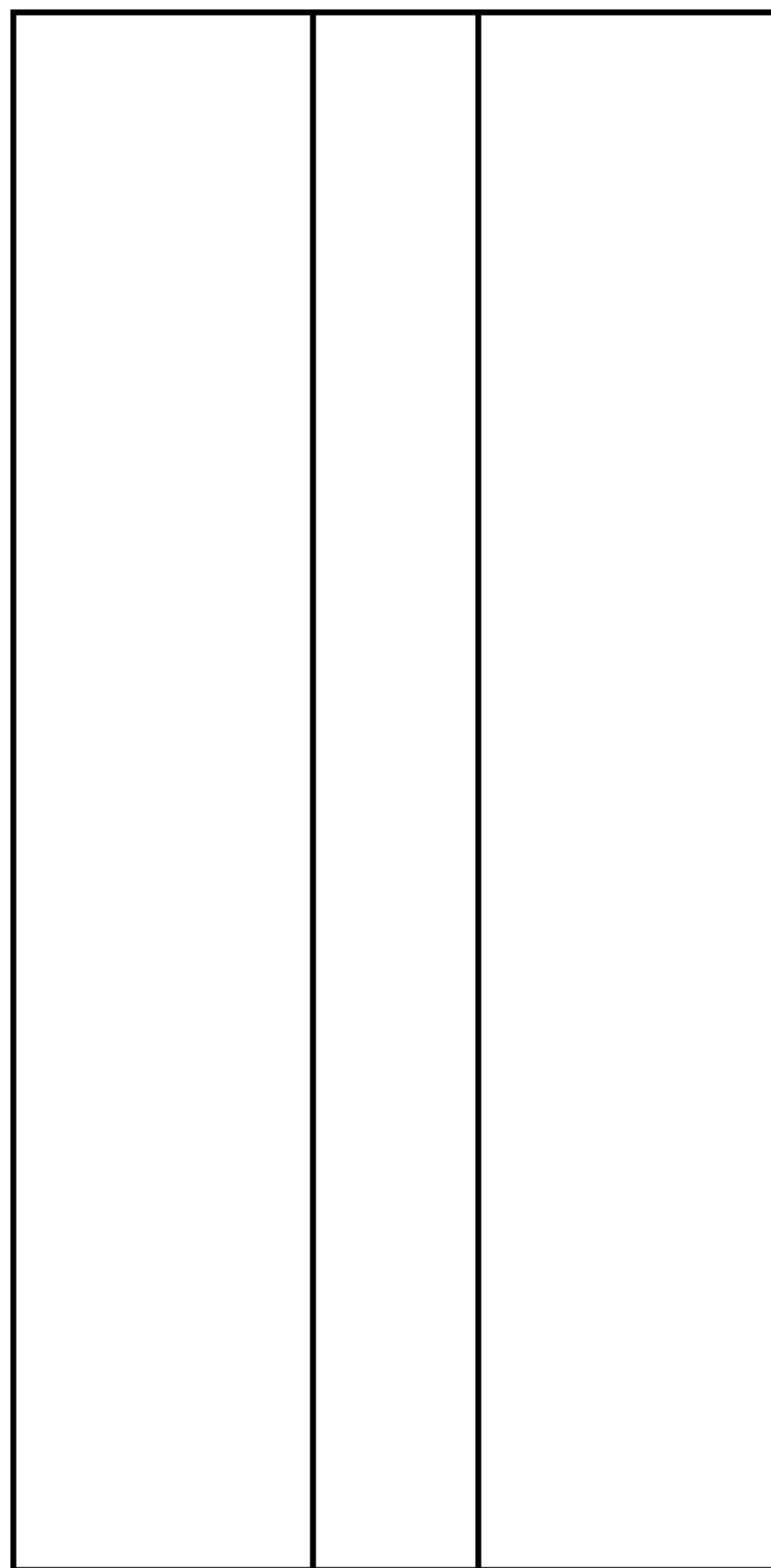


FIG. 4

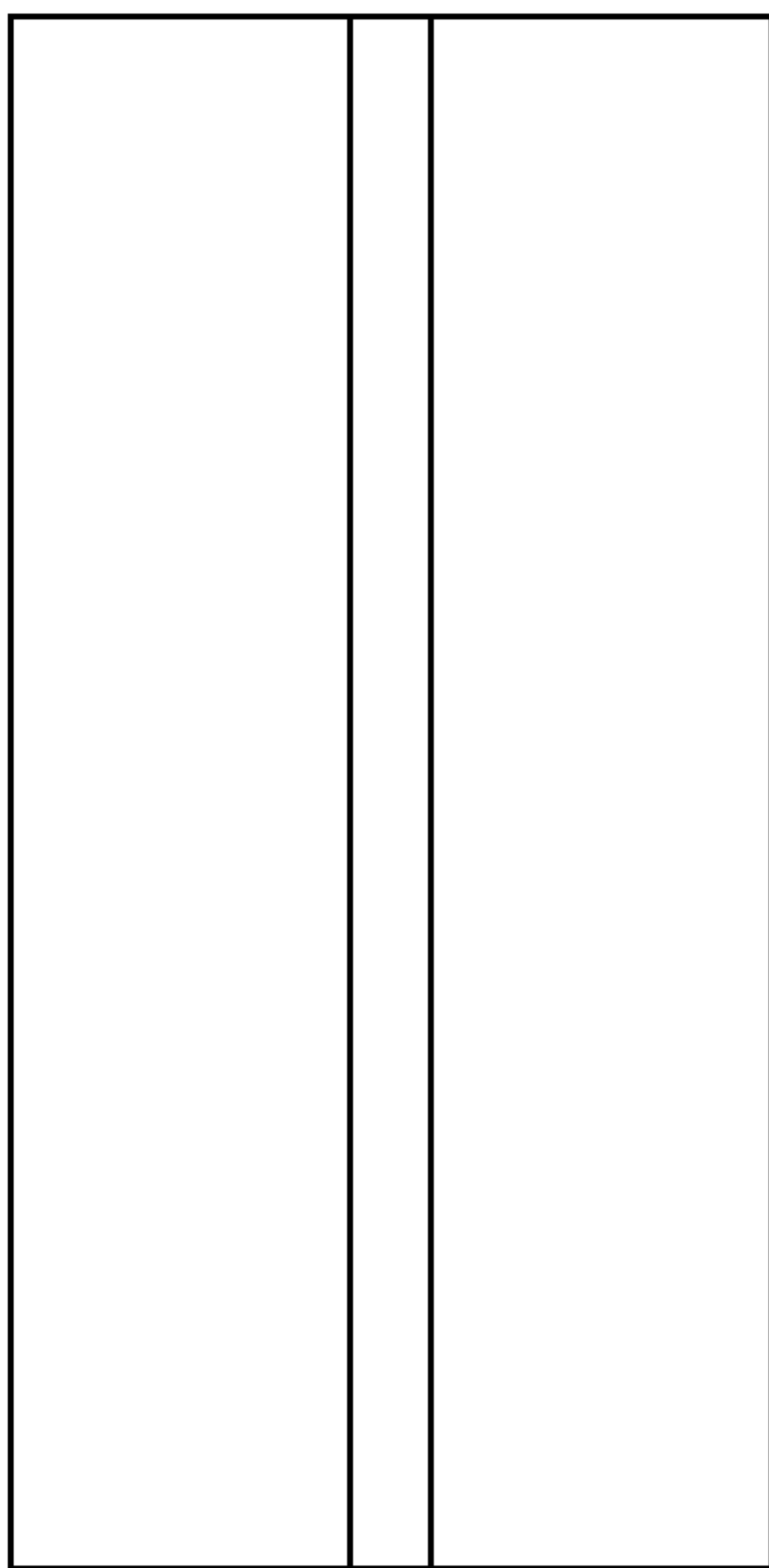


FIG. 5

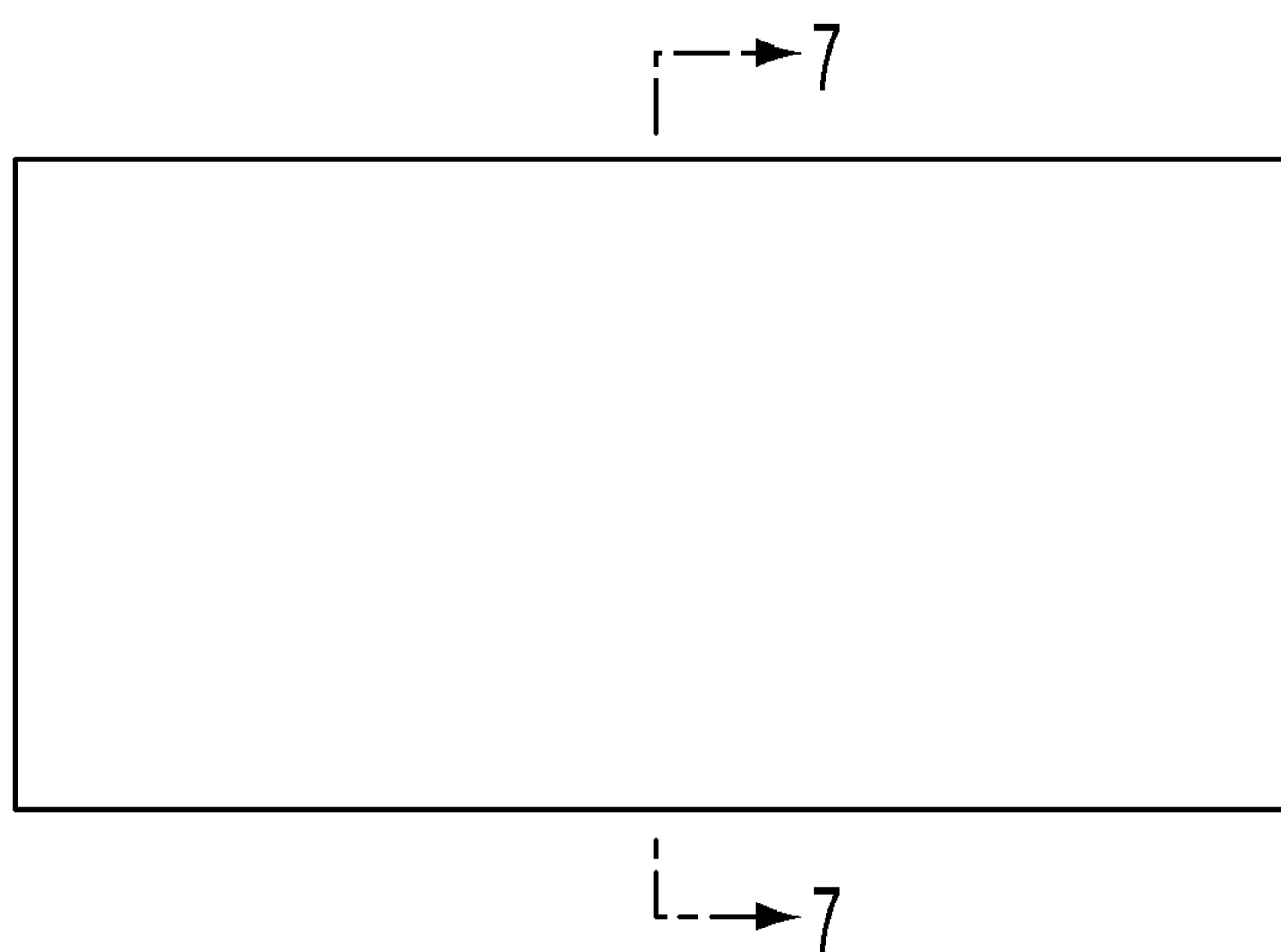


FIG. 6

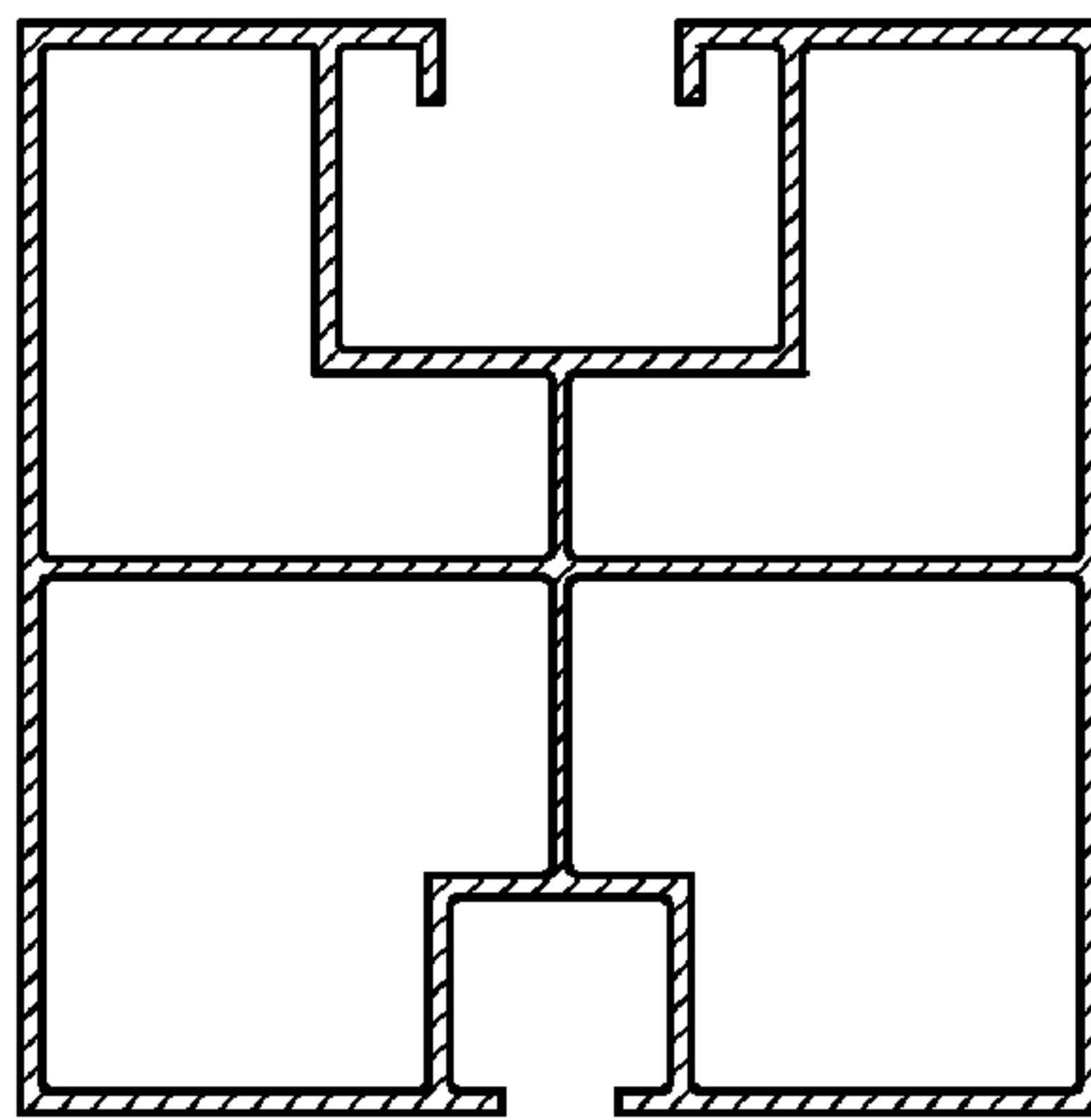


FIG. 7