



US00D631321S

(12) **United States Design Patent**
Robinson

(10) **Patent No.:** **US D631,321 S**

(45) **Date of Patent:** **** Jan. 25, 2011**

(54) **MULTI-TOOL DEVICE HANDLE**

(75) **Inventor:** **Glenn Robinson**, Coral Springs, FL
(US)

(73) **Assignee:** **IBT Holdings LLC**, Deerfield Beach,
FL (US)

(**) **Term:** **14 Years**

(21) **Appl. No.:** **29/349,709**

(22) **Filed:** **Apr. 26, 2010**

(51) **LOC (9) Cl.** **08-05**

(52) **U.S. Cl.** **D8/107**

(58) **Field of Classification Search** D8/107,
D8/26, 40, 51, 55, 105, 300; 7/118, 138,
7/158, 167; 30/151, 152, 153, 169; 81/177.1,
81/177.3, 177.4, 177.6, 437, 439, 440, 442;
206/375

See application file for complete search history.

(56) **References Cited**

U.S. PATENT DOCUMENTS

2,804,970	A *	9/1957	Kuc et al.	206/375
D342,433	S *	12/1993	Sorenson	D8/107
D382,190	S *	8/1997	Blackston et al.	D8/107
D389,030	S *	1/1998	Wensley	D8/107
5,791,211	A *	8/1998	Bondhus et al.	81/440
D412,823	S *	8/1999	Liao	D8/107

D427,875	S *	7/2000	Chiu	D8/105
D437,541	S *	2/2001	Hermansen et al.	D8/105
D447,041	S *	8/2001	Rivera	D8/107
6,286,168	B1 *	9/2001	Woodruff et al.	7/138
D450,229	S *	11/2001	Lin	D8/107
D515,391	S *	2/2006	Hawkins	D8/105
7,047,847	B2 *	5/2006	Chuang	81/440

* cited by examiner

Primary Examiner—Prabhakar Deshmukh

Assistant Examiner—Derrick Holland

(74) *Attorney, Agent, or Firm*—Dan M. De La Rosa

(57) **CLAIM**

The ornamental design for a multi-tool device handle, as shown and described.

DESCRIPTION

FIG. 1 is a front perspective view of the multi-tool device handle of the present invention showing my new design;

FIG. 2 is a front side elevational view thereof;

FIG. 3 is a back side elevational view thereof;

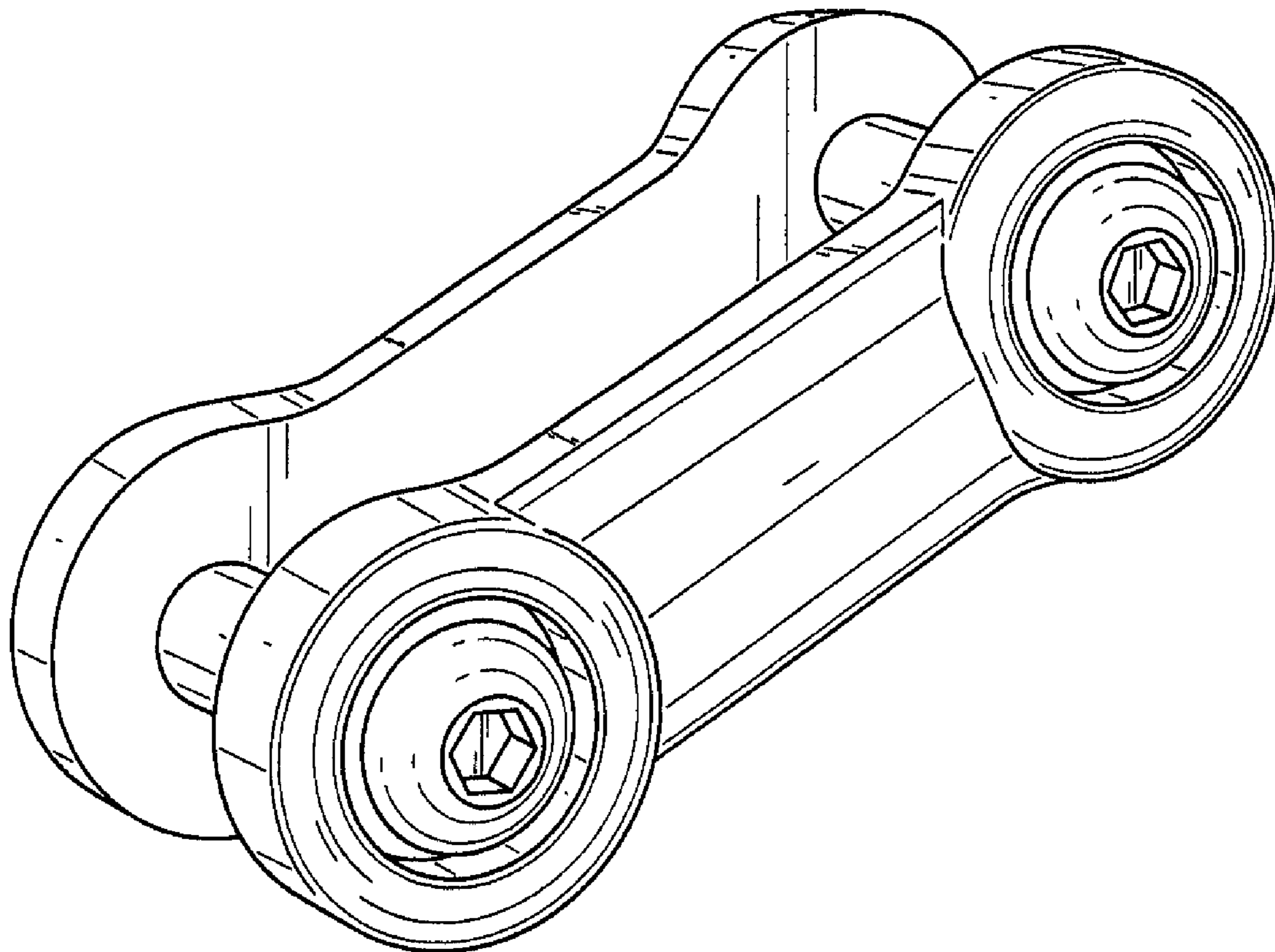
FIG. 4 is a side elevational view thereof;

FIG. 5 is another side elevational view thereof;

FIG. 6 is a top plan view thereof; and,

FIG. 7 is a bottom plan view thereof.

1 Claim, 4 Drawing Sheets



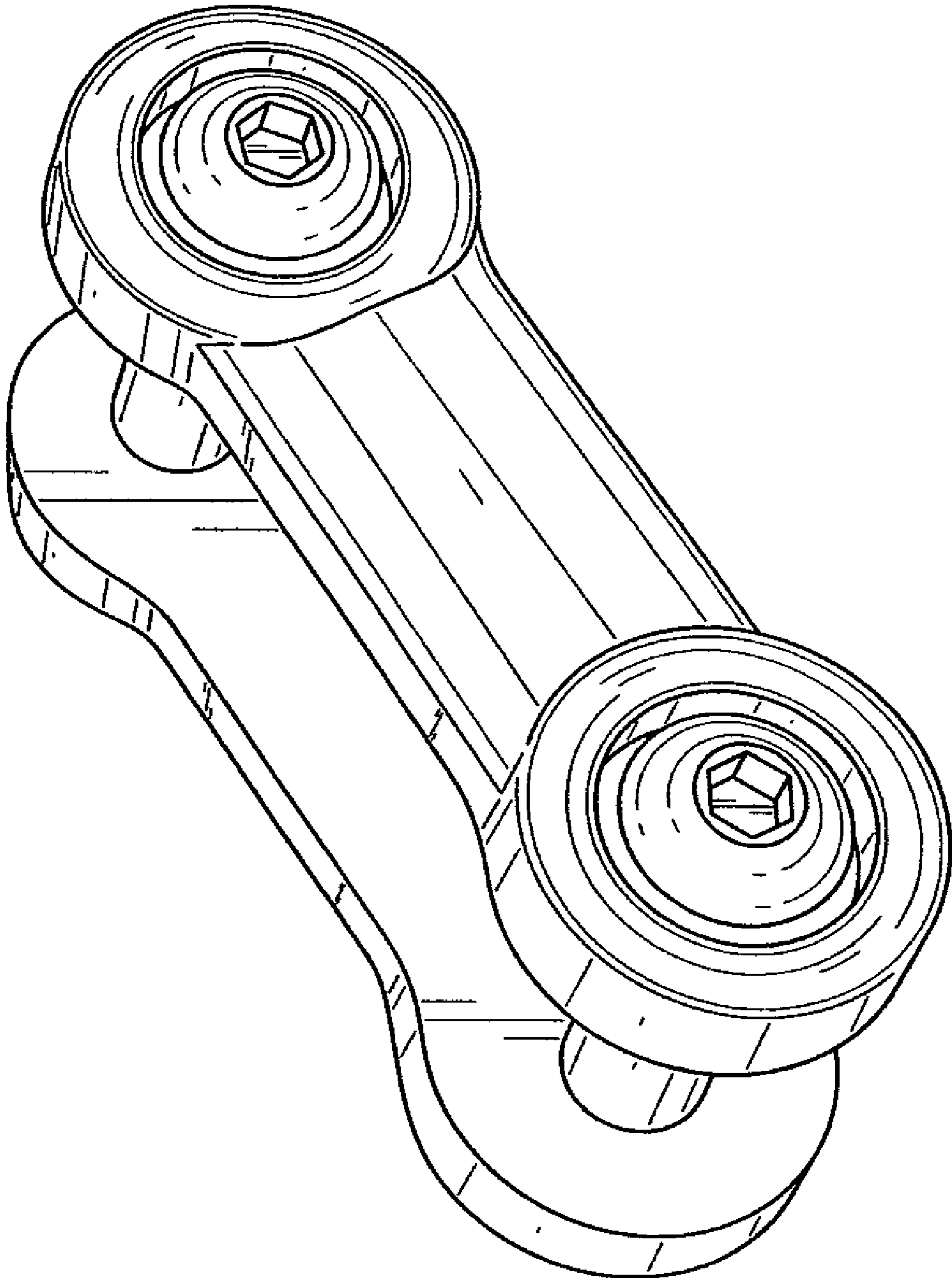


FIG. 1

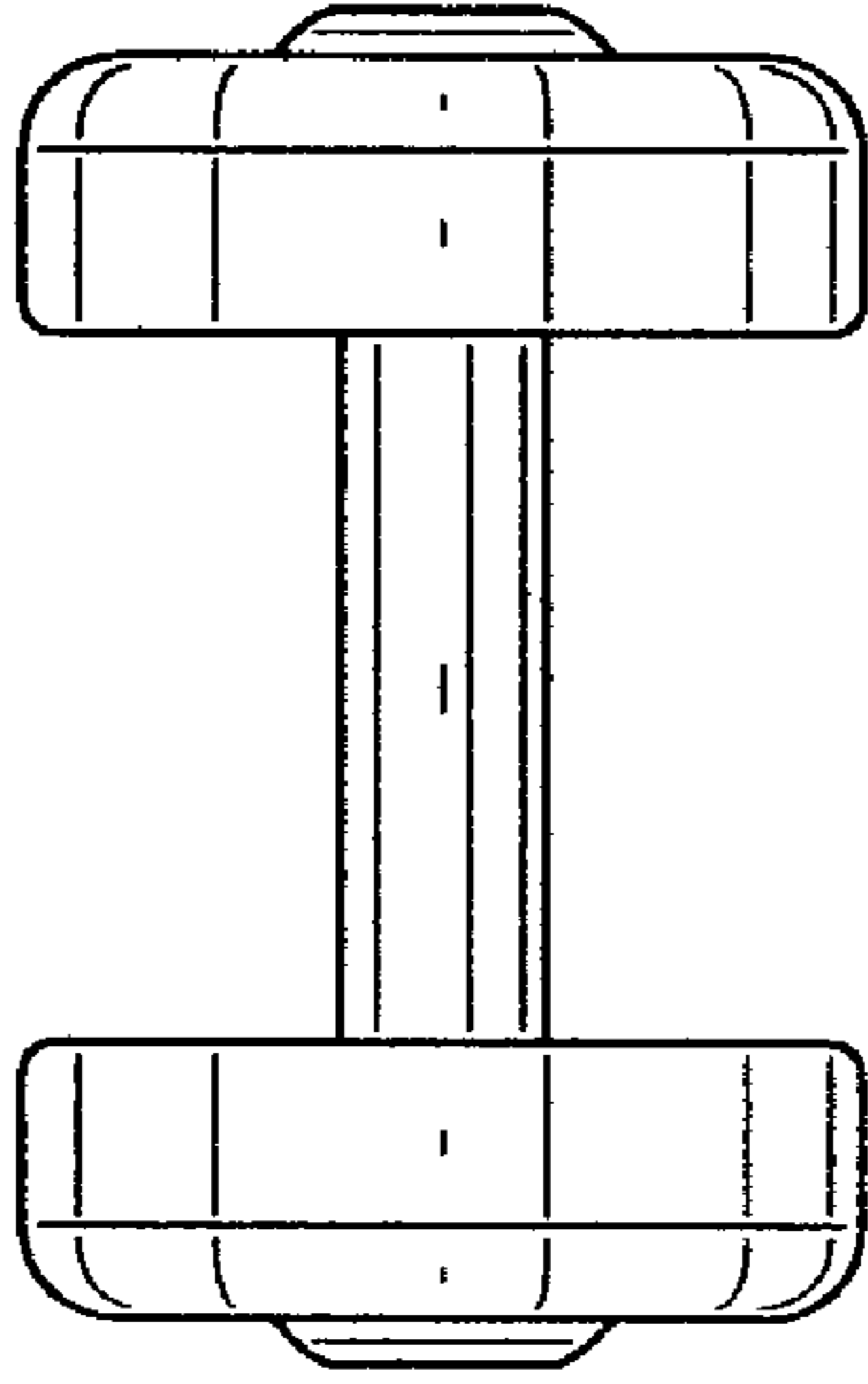


FIG. 3

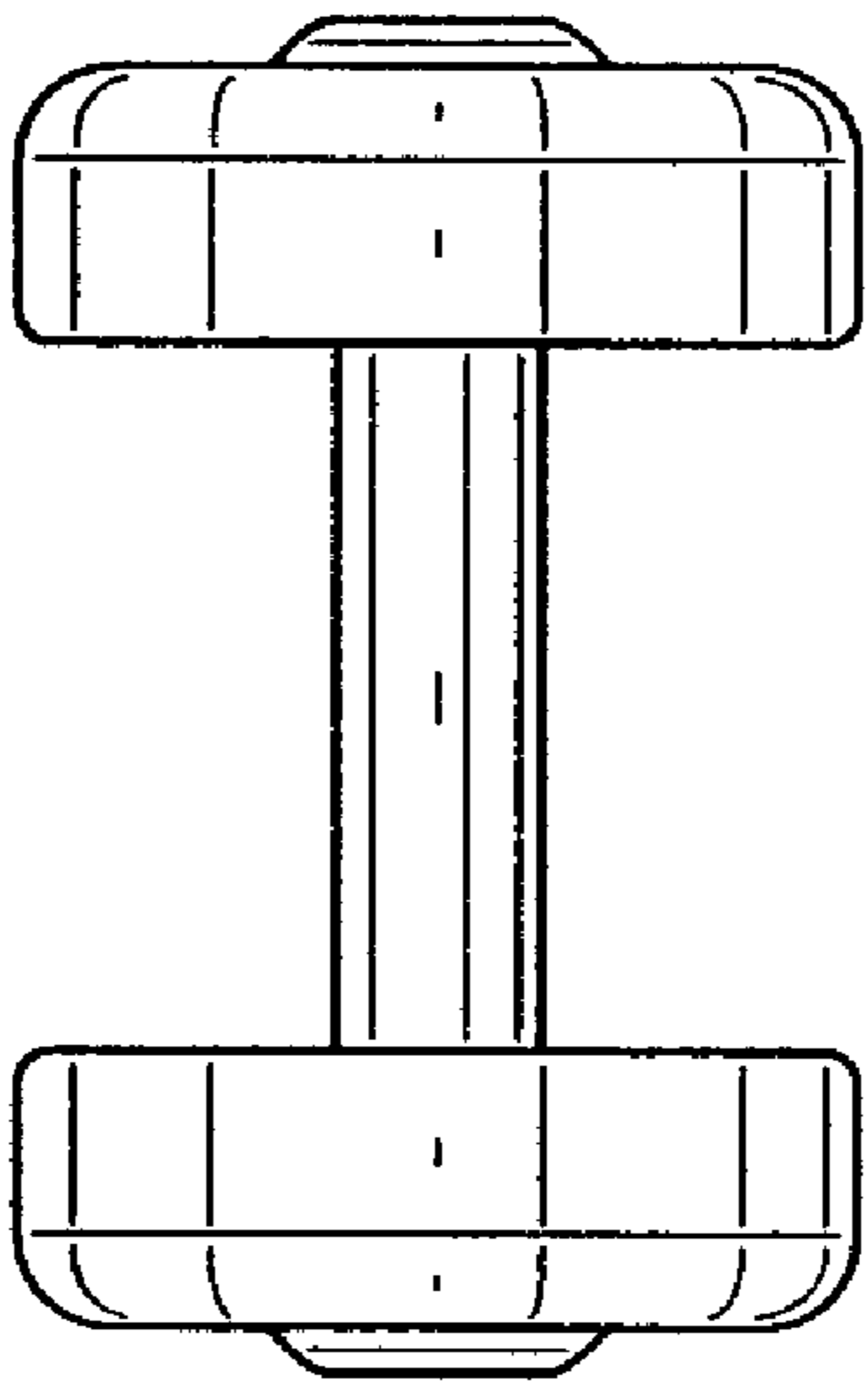


FIG. 2

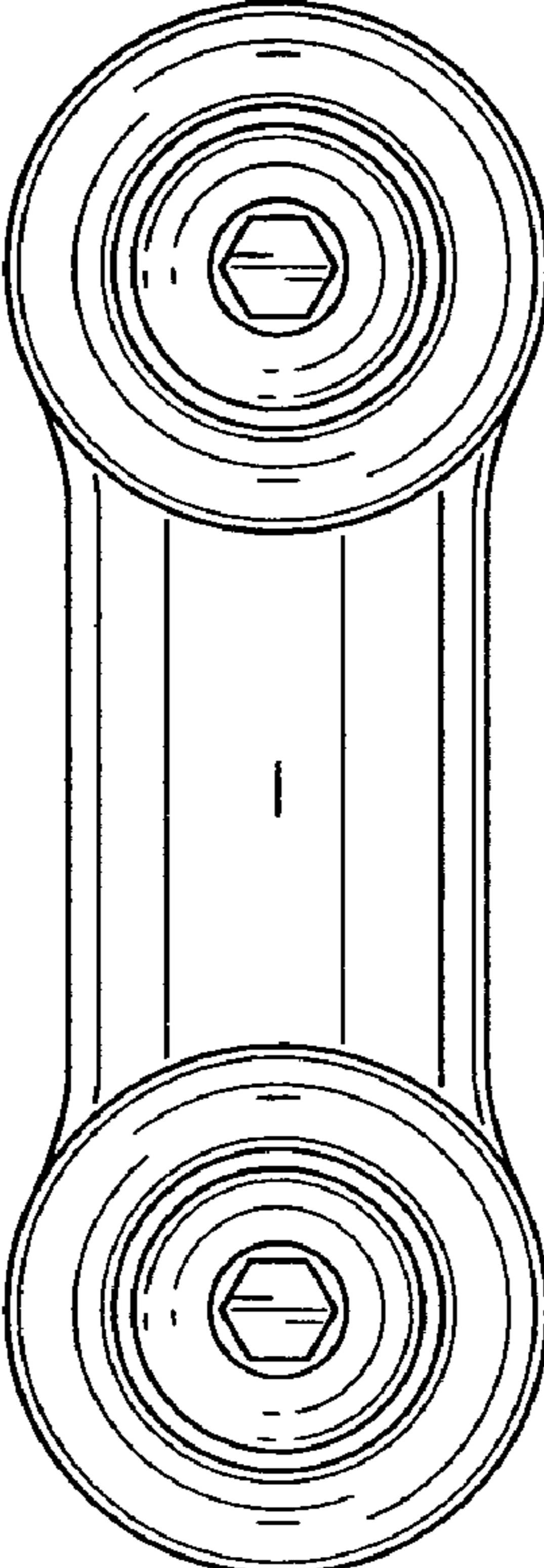


FIG. 5

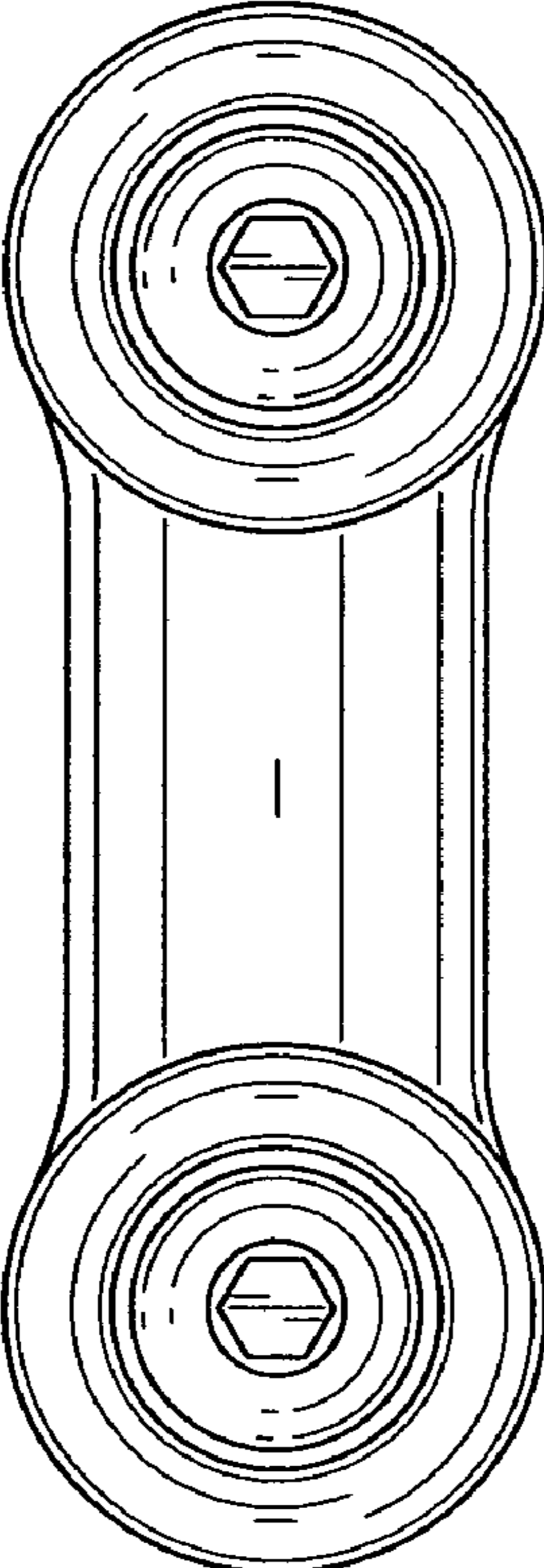


FIG. 4

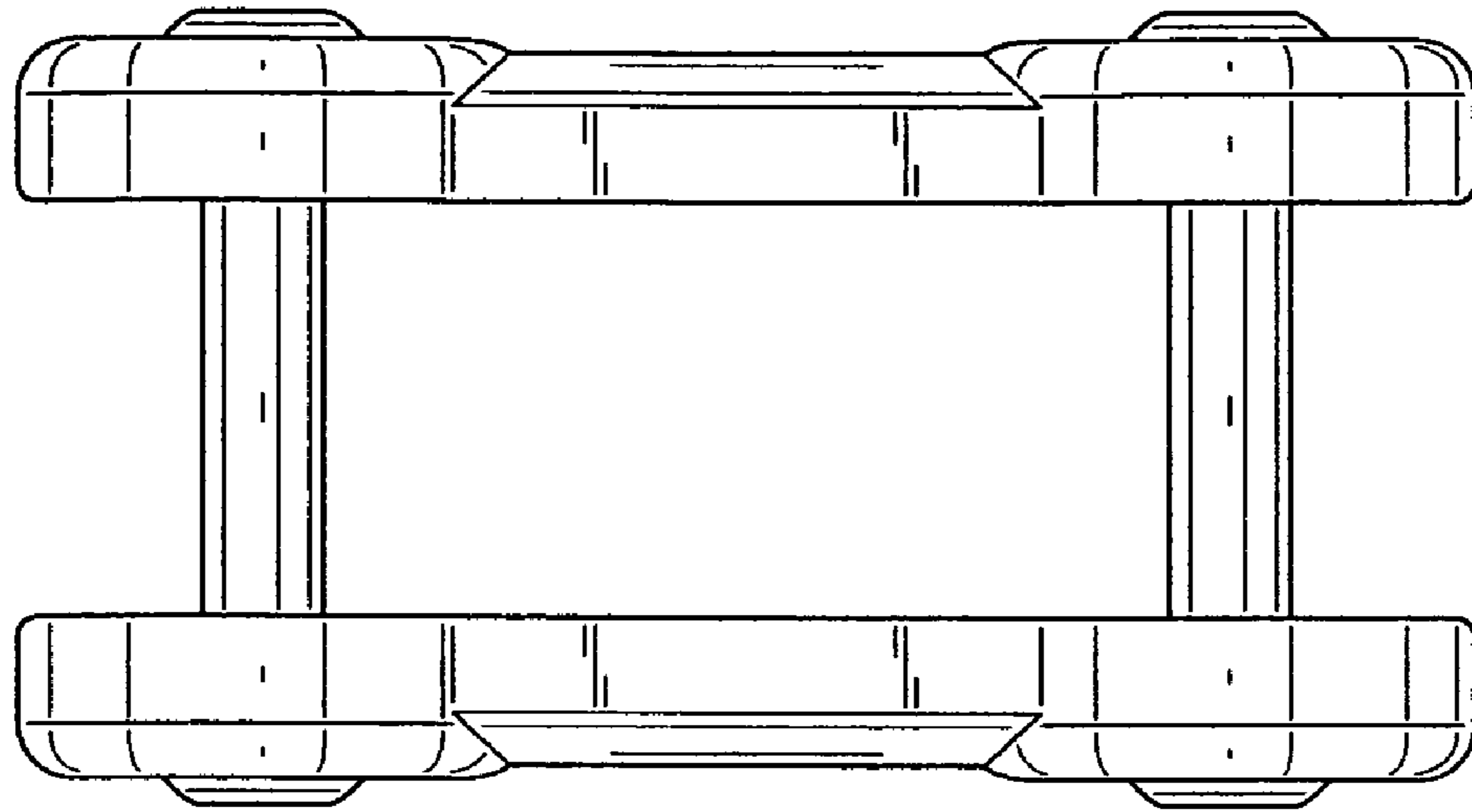


FIG. 7

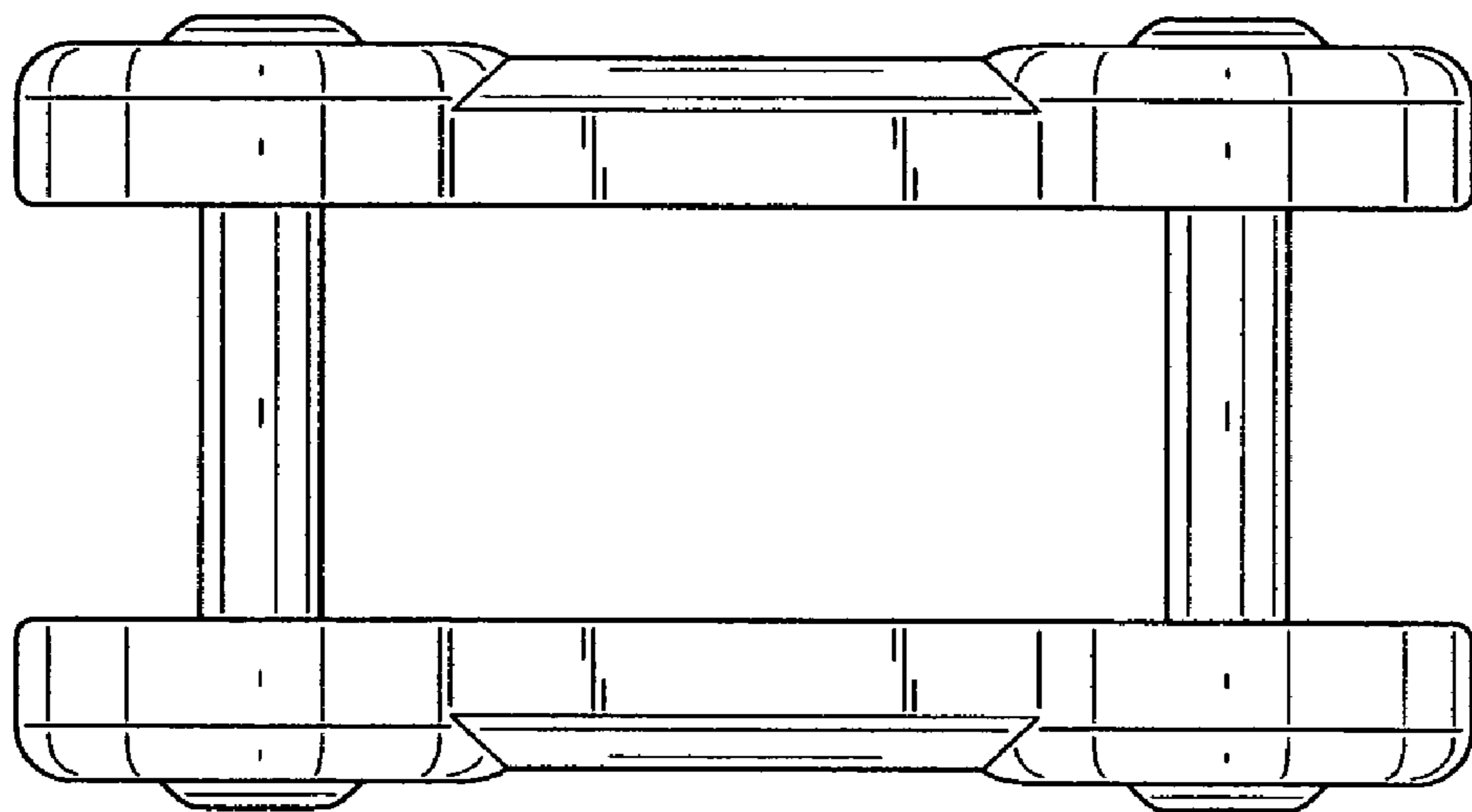


FIG. 6