



US00D631316S

(12) **United States Design Patent**
Krumpe et al.

(10) **Patent No.:** **US D631,316 S**
(45) **Date of Patent:** **** Jan. 25, 2011**

(54) **FASTENING TOOL**

(75) Inventors: **Geraint Krumpe**, Chicago, IL (US);
Michael Reedy, Chicago, IL (US);
Victor Hoernig, Lowell, IN (US);
Charles A. Patterson, Durango, CO
(US); **Man Ki Yoo**, Skokie, IL (US);
Emilie Williams-Romero, Chicago, IL
(US); **Marcus Bosch**, Chicago, IL (US);
Steven J. Mandel, New York, NY (US)

(73) Assignee: **Arrow Fastener Co., LLC**, Saddle
Brook, NJ (US)

(**) Term: **14 Years**

(21) Appl. No.: **29/357,866**

(22) Filed: **Mar. 18, 2010**

(51) **LOC (9) Cl.** **08-05**

(52) **U.S. Cl.** **D8/69**

(58) **Field of Classification Search** D8/69;
81/57.11, 429, 464, 465, 466, 469, 489; 173/13,
173/169, 178, 213, 217; 227/8, 114, 120,
227/130, 136, 142; 310/50; 408/20, 124,
408/125, 234, 241 R; 451/358

See application file for complete search history.

(56) **References Cited**

U.S. PATENT DOCUMENTS

5,107,390	A	4/1992	Goldner	
5,165,587	A	11/1992	Marks	
5,328,075	A	7/1994	Marks	
5,407,118	A	4/1995	Marks	
5,497,932	A	3/1996	Brewer et al.	
5,511,716	A	4/1996	Marks	
D373,057	S *	8/1996	Chen D8/69
5,622,258	A	4/1997	Baublitz et al.	
D384,257	S	9/1997	Marks et al.	
D384,258	S	9/1997	Marks et al.	
5,664,722	A	9/1997	Marks	
5,699,949	A	12/1997	Marks	
5,735,444	A	4/1998	Wingert	

5,765,742	A	6/1998	Marks	
5,816,470	A	10/1998	Plato et al.	
5,884,829	A	3/1999	Wingert	
5,988,478	A	11/1999	Marks	
D432,883	S *	10/2000	Wingert D8/69
6,131,788	A	10/2000	Marks	
6,145,728	A	11/2000	Marks	
6,173,877	B1	1/2001	Wingert	
6,355,892	B1	3/2002	Marks	
6,722,550	B1 *	4/2004	Ricordi et al. 227/130
6,729,524	B1 *	5/2004	Yao 227/120
6,789,719	B2	9/2004	Shor	
D526,551	S *	8/2006	Sakai et al. D8/69
7,097,088	B2	8/2006	Shor	
D552,951	S	10/2007	Shor	
D553,459	S	10/2007	Shor	
D553,460	S	10/2007	Shor	
D560,987	S	2/2008	Krushlin et al.	
D561,550	S	2/2008	Krushlin et al.	
7,344,026	B2	3/2008	Melgaard	

(Continued)

Primary Examiner—Antoine D Davis

(74) *Attorney, Agent, or Firm*—Lora J. Graentzdoerffer;
Nirav D. Parikh; Edgar A. Zarins

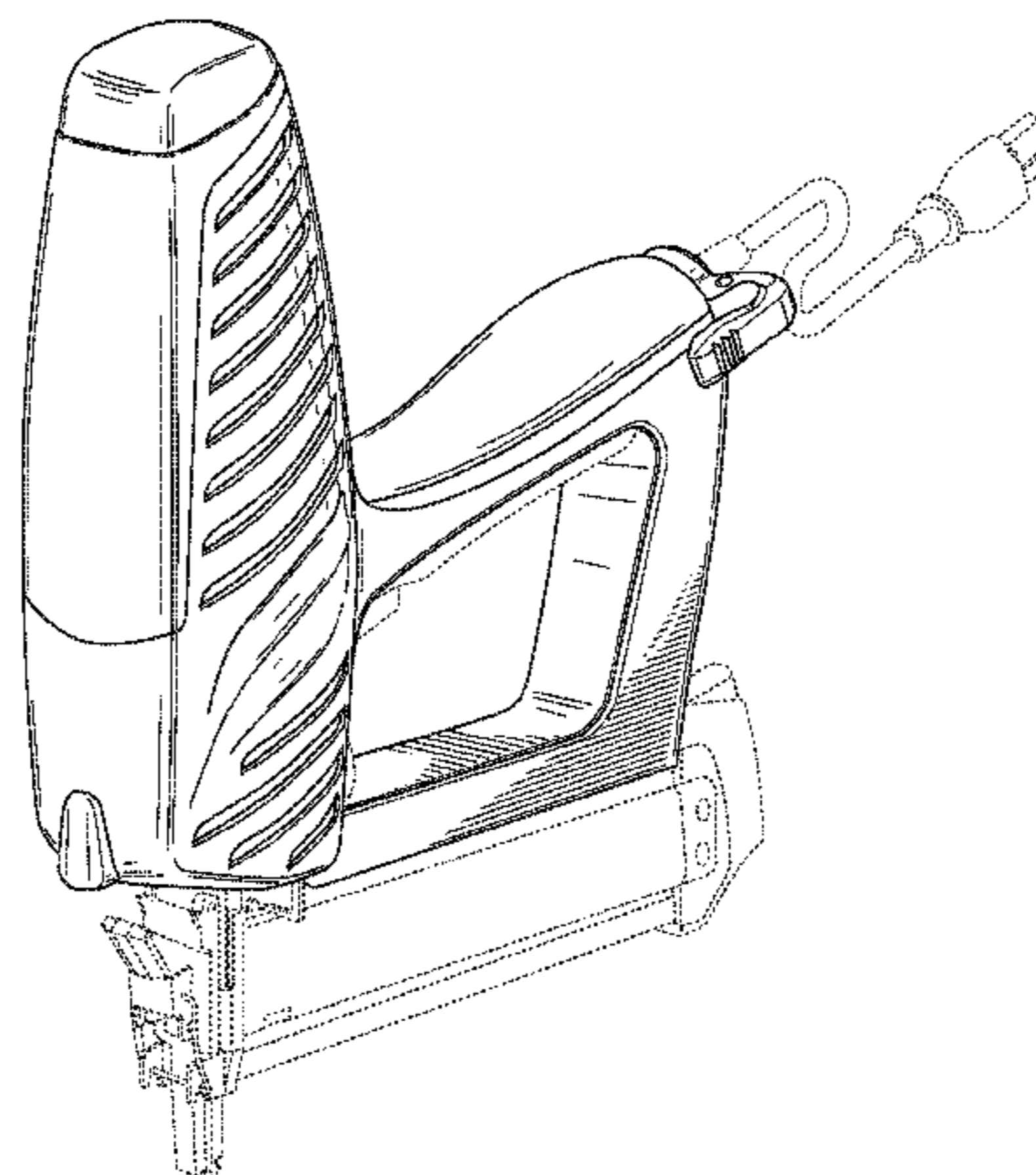
(57) **CLAIM**

The ornamental design for a fastening tool, as shown and described.

DESCRIPTION

FIG. 1 is a perspective view thereof;
FIG. 2 is a left side elevational view thereof;
FIG. 3 is a right side elevational view thereof;
FIG. 4 is a top plan view thereof;
FIG. 5 is a bottom plan view thereof;
FIG. 6 is a front elevational view thereof; and,
FIG. 7 is a rear elevational view thereof.
The broken lines are for illustrative purposes only and form no part of the claimed design.

1 Claim, 5 Drawing Sheets



US D631,316 S

Page 2

U.S. PATENT DOCUMENTS

D573,089 S	7/2008	Mandel et al.	D600,085 S	9/2009	Mandel et al.
D574,205 S	8/2008	Krushlin et al.	D600,986 S	9/2009	Betsalel et al.
D576,545 S	9/2008	Mandel et al.	D604,576 S	11/2009	Betsalel et al.
D578,365 S	10/2008	Mandel et al.	7,637,407 B2	12/2009	Shor
D580,246 S	11/2008	Mandel et al.	2003/0034377 A1 *	2/2003	Porth et al. 227/10
D586,196 S *	2/2009	Kosugi et al. D8/69	2003/0111239 A1 *	6/2003	Smolinski 173/8
7,503,400 B2	3/2009	Llewellyn	2009/0095786 A1 *	4/2009	Gosis et al. 227/119
7,506,789 B2	3/2009	Shor	2009/0266863 A1 *	10/2009	Ishida et al. 227/120
			2010/0038394 A1 *	2/2010	Hlinka et al. 227/2

* cited by examiner

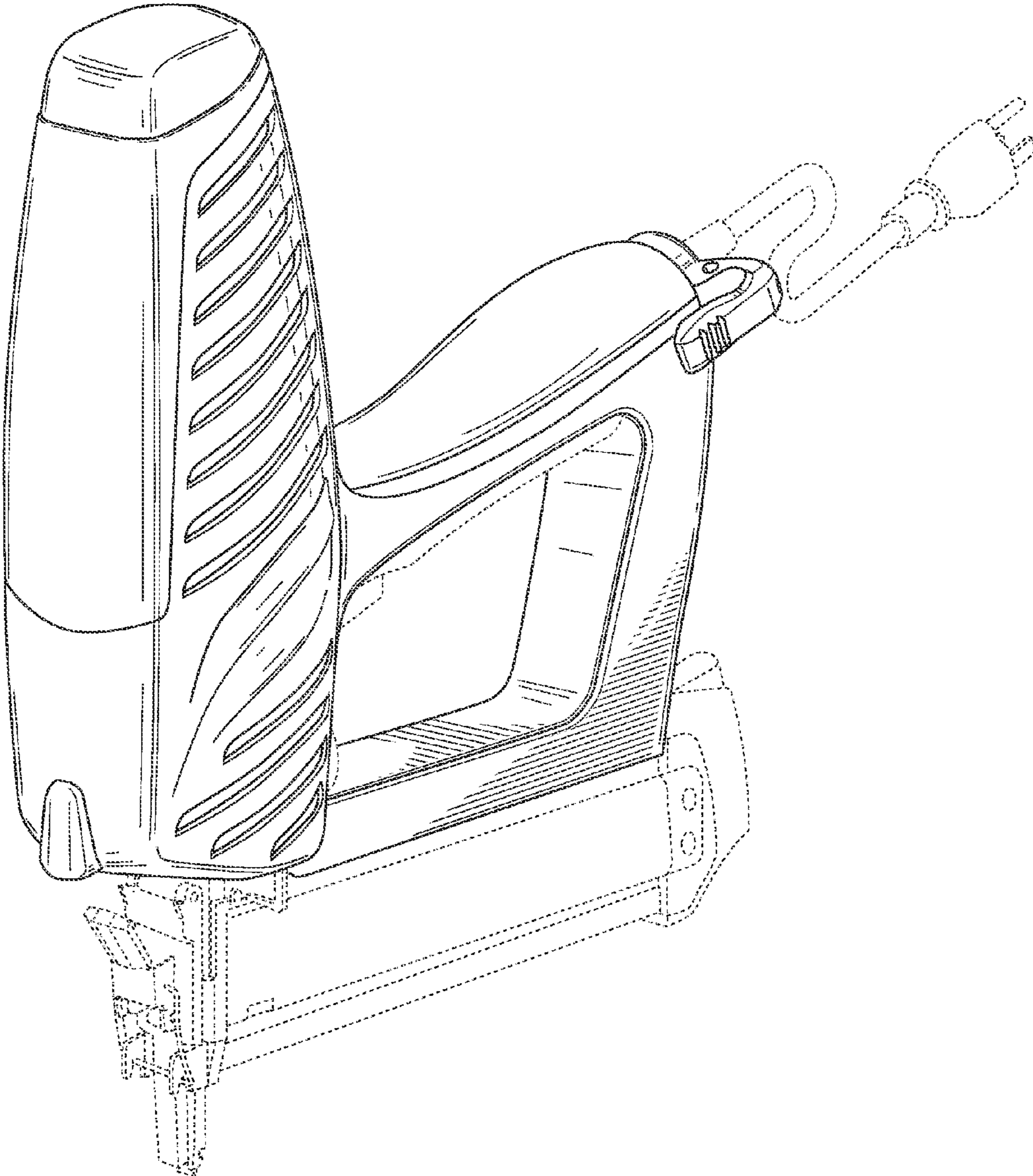


FIG. 1

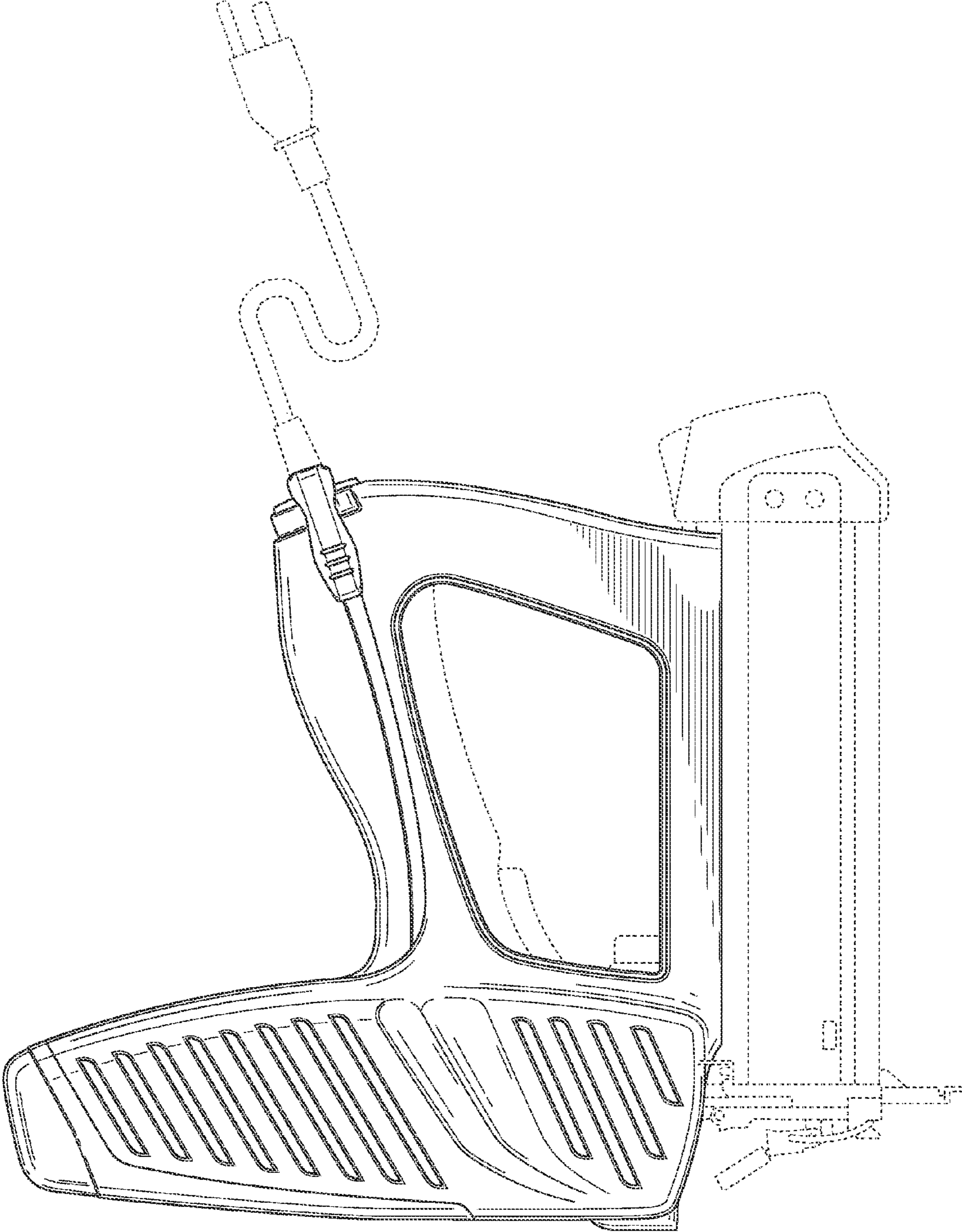
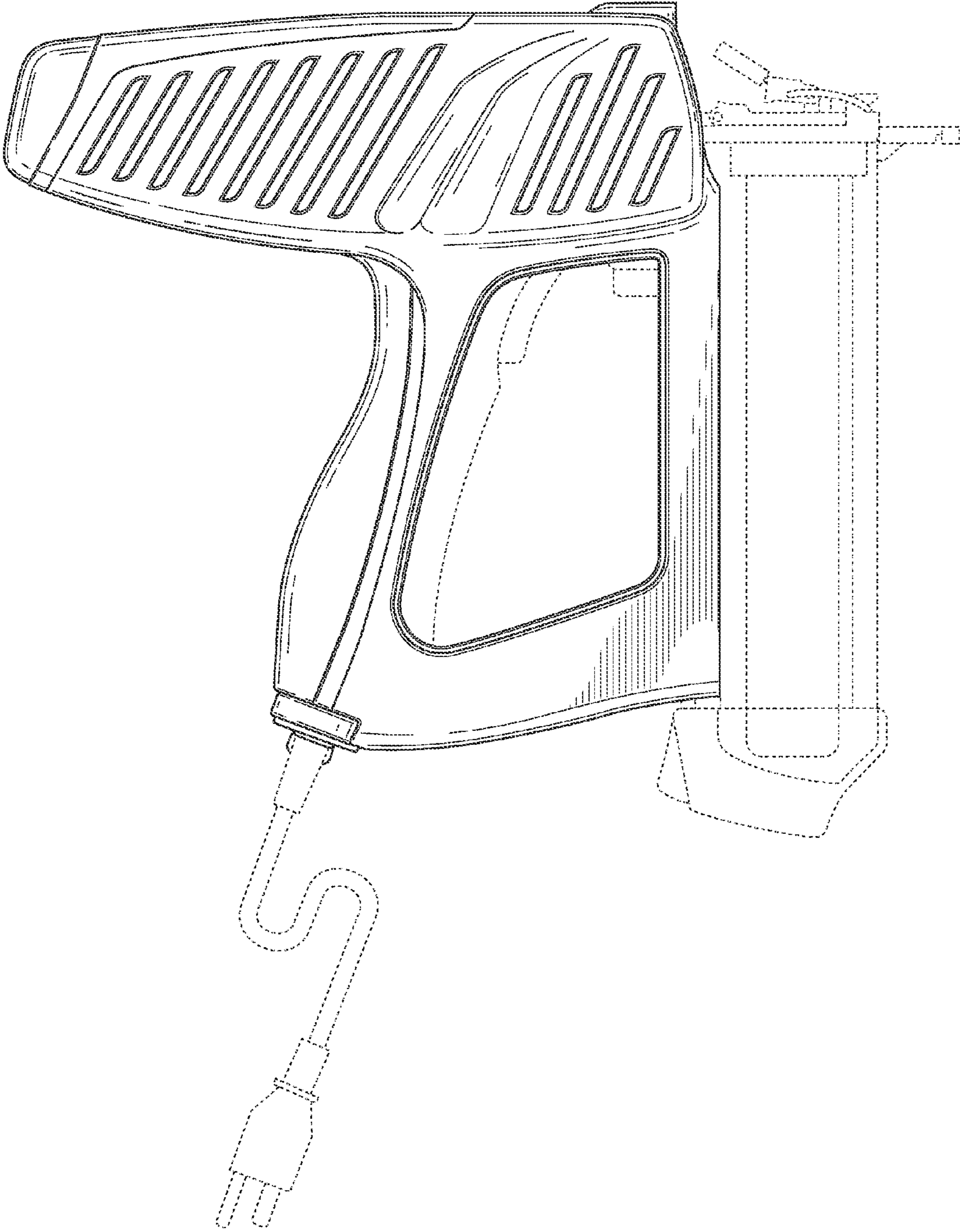
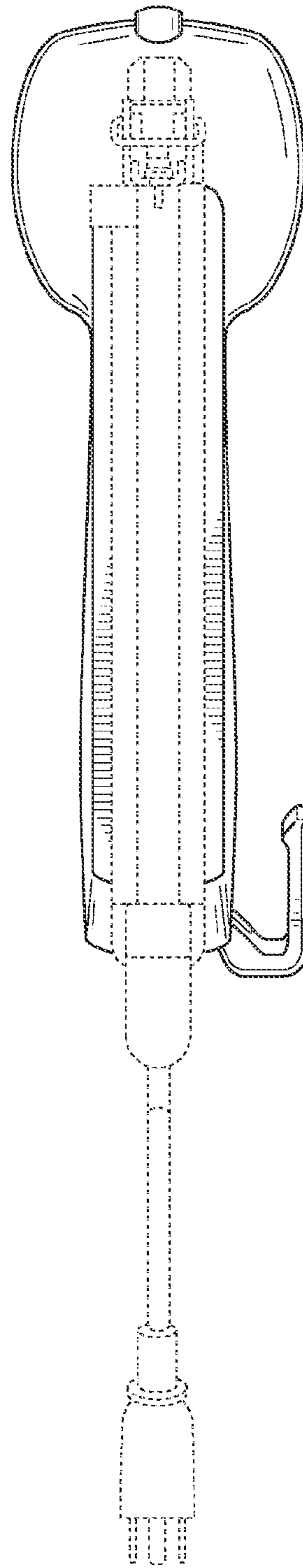
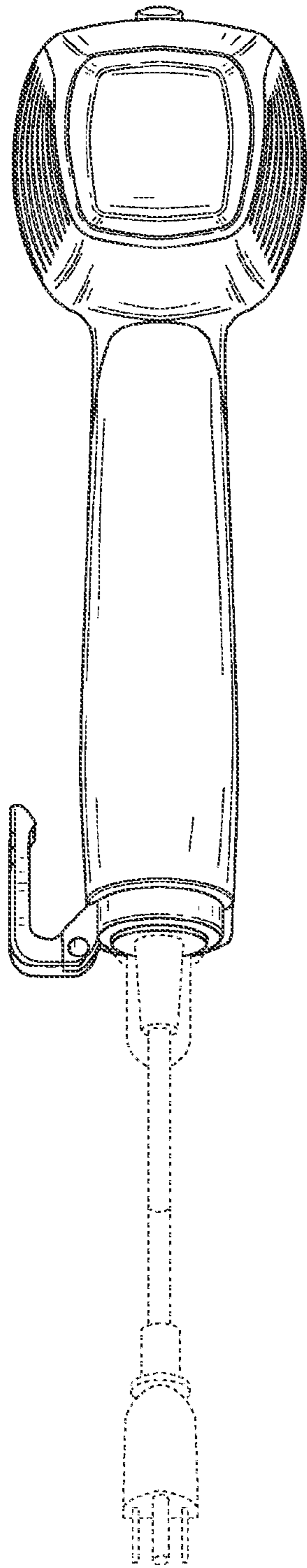


FIG. 2

FIG. 3





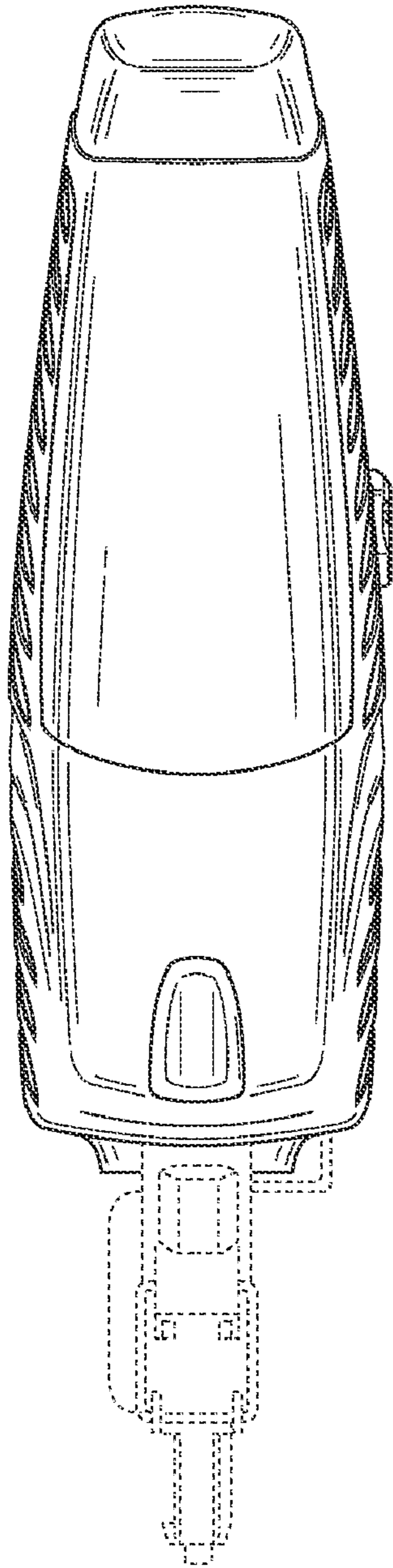


FIG. 6

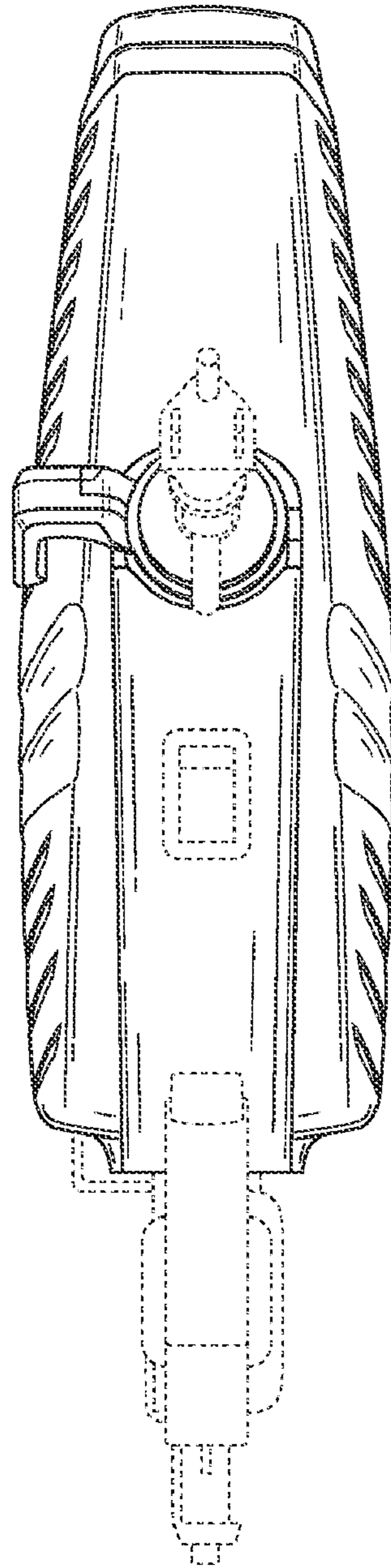


FIG. 7