



US00D631314S

(12) **United States Design Patent**
Baxter

(10) **Patent No.:** **US D631,314 S**
(45) **Date of Patent:** **** Jan. 25, 2011**

(54) **HAND-HELD RECIPROCATING SAW**
(75) Inventor: **Mark Baxter**, Tyne & Wear (GB)
(73) Assignee: **Black & Decker Inc.**, Newark, DE (US)
(**) Term: **14 Years**

(21) Appl. No.: **29/375,420**
(22) Filed: **Sep. 22, 2010**

(30) **Foreign Application Priority Data**
Mar. 22, 2010 (EP) 001203046

(51) **LOC (9) Cl.** **08-03**
(52) **U.S. Cl.** **D8/64**
(58) **Field of Classification Search** D8/69,
D8/68, 67, 66, 65, 64, 62, 61; 30/92, 394,
30/393, 392, 377, 376, 371; 74/50, 49; 173/217,
173/216; 83/699.21; 446/145
See application file for complete search history.

(56) **References Cited**

U.S. PATENT DOCUMENTS

6,062,939 A * 5/2000 Parker et al. 446/145
D500,651 S * 1/2005 Andriolo D8/64
D524,623 S * 7/2006 Andriolo D8/64
D525,842 S * 8/2006 Andriolo D8/64
D525,845 S * 8/2006 Welsh D8/64
D527,596 S * 9/2006 Andriolo D8/64
D527,597 S * 9/2006 Andriolo D8/64
D538,617 S * 3/2007 Aglassinger D8/64
D544,327 S * 6/2007 Sterpka et al. D8/64
D551,930 S * 10/2007 Yamada et al. D8/64
D558,018 S * 12/2007 McRoberts et al. D8/64
D558,550 S * 1/2008 McRoberts et al. D8/64

D560,988 S * 2/2008 Watson et al. D8/64
D591,574 S * 5/2009 DiPasquale et al. D8/64
D596,005 S * 7/2009 Schoch D8/64
2002/0059732 A1 * 5/2002 Campbell et al. 30/392
2003/0121389 A1 * 7/2003 Wheeler et al. 83/699.21
2009/0223071 A1 * 9/2009 Alberti et al. 30/392

* cited by examiner

Primary Examiner—Austin Murphy
(74) *Attorney, Agent, or Firm*—John Yun; Bruce S. Shapiro;
Stephen Valancius

(57) **CLAIM**

The ornamental design for a hand-held reciprocating saw, as shown and described.

DESCRIPTION

FIG. 1 is a perspective view of a hand-held reciprocating saw showing my new design.

FIG. 2 is a left side view of the hand-held reciprocating saw according to FIG. 1.

FIG. 3 is a right side view of the hand-held reciprocating saw according to FIG. 1.

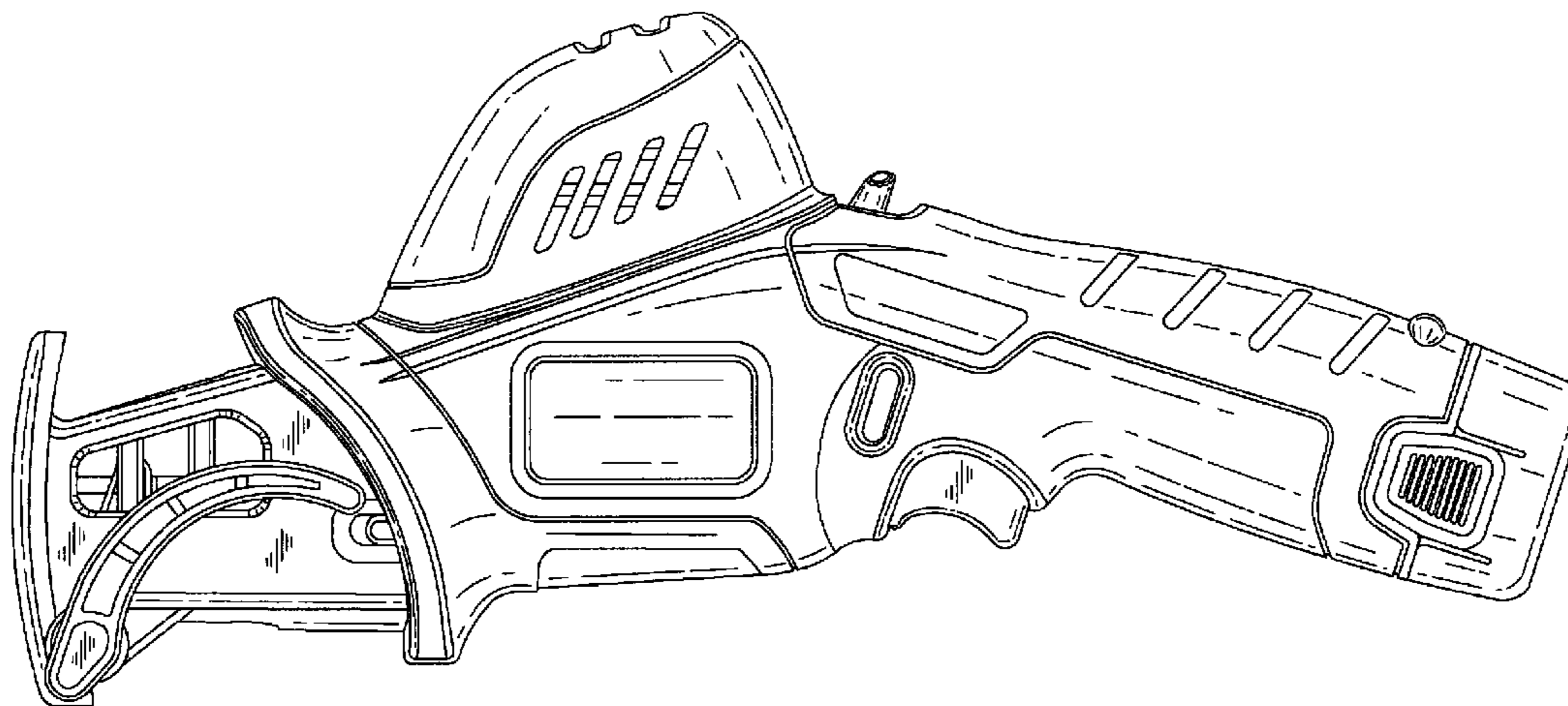
FIG. 4 is a front view of the hand-held reciprocating saw according to FIG. 1.

FIG. 5 is a rear view of the hand-held reciprocating saw according to FIG. 1.

FIG. 6 is a top view of the hand-held reciprocating saw according to FIG. 1; and,

FIG. 7 is a bottom view of the hand-held reciprocating saw according to FIG. 1.

1 Claim, 5 Drawing Sheets



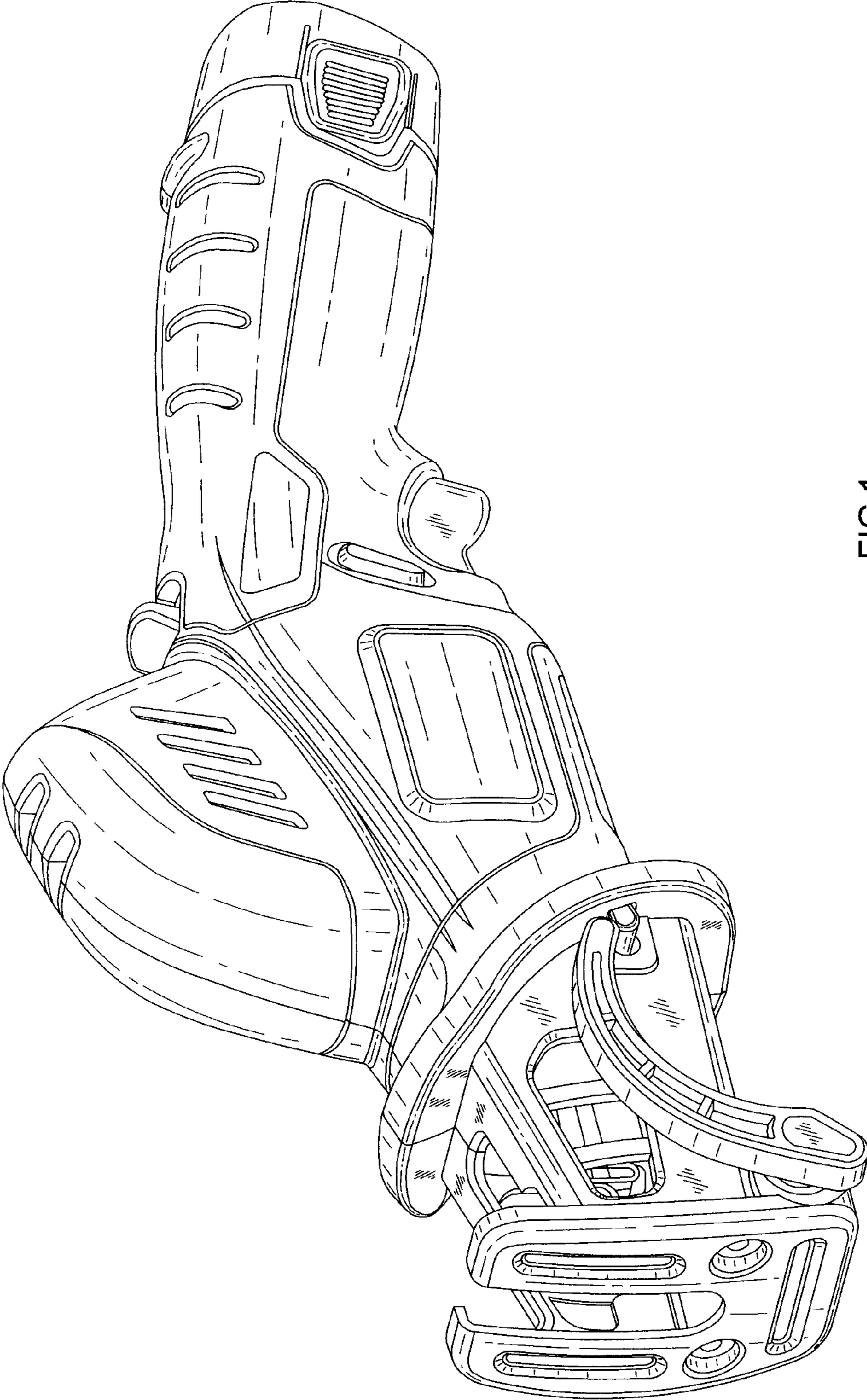


FIG.1

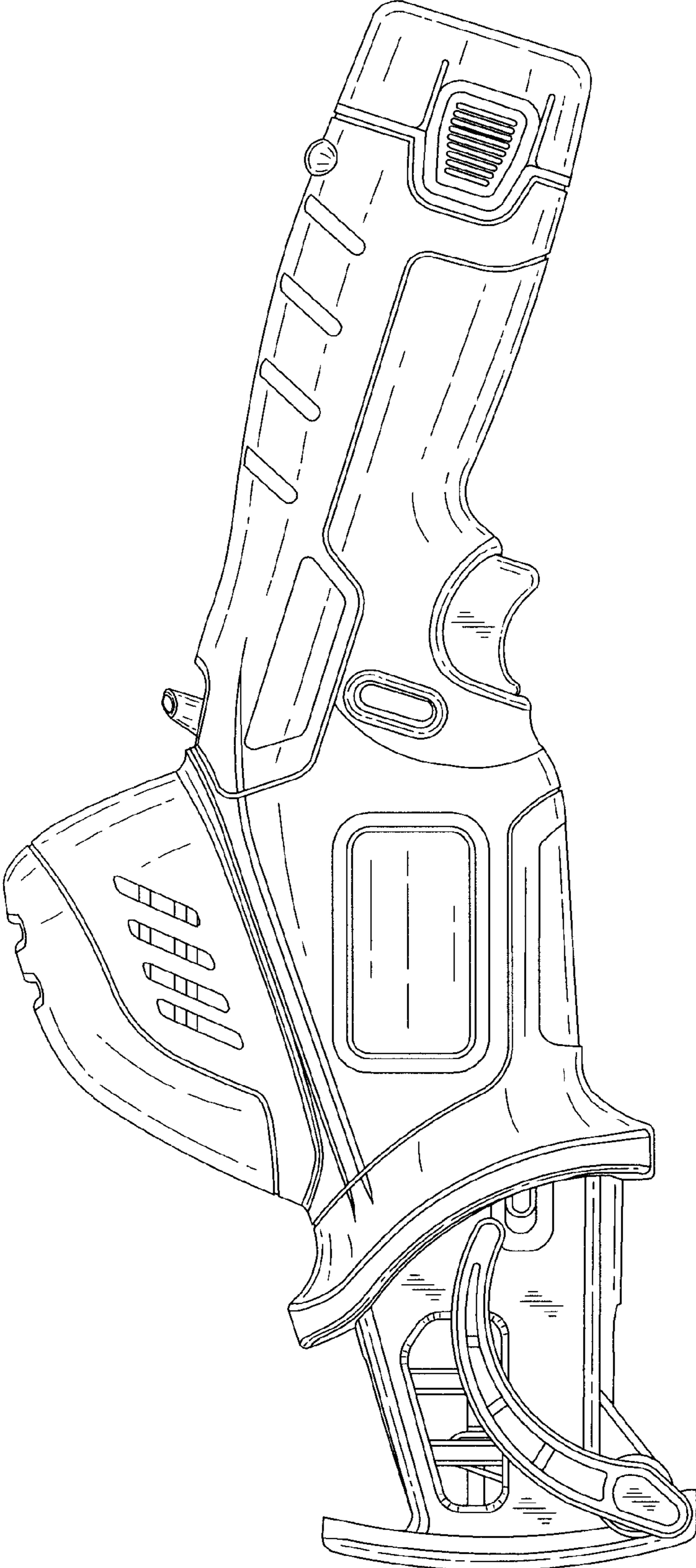


FIG.2

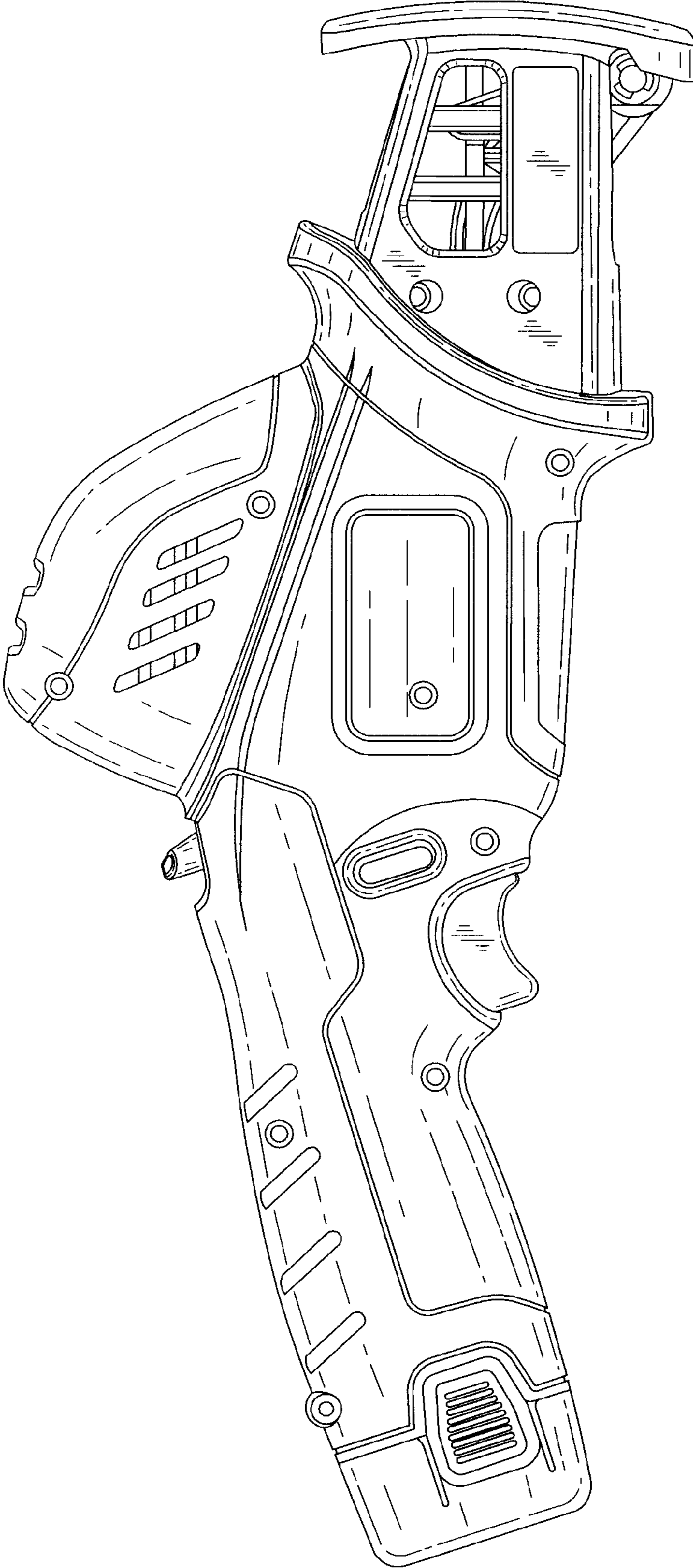


FIG.3

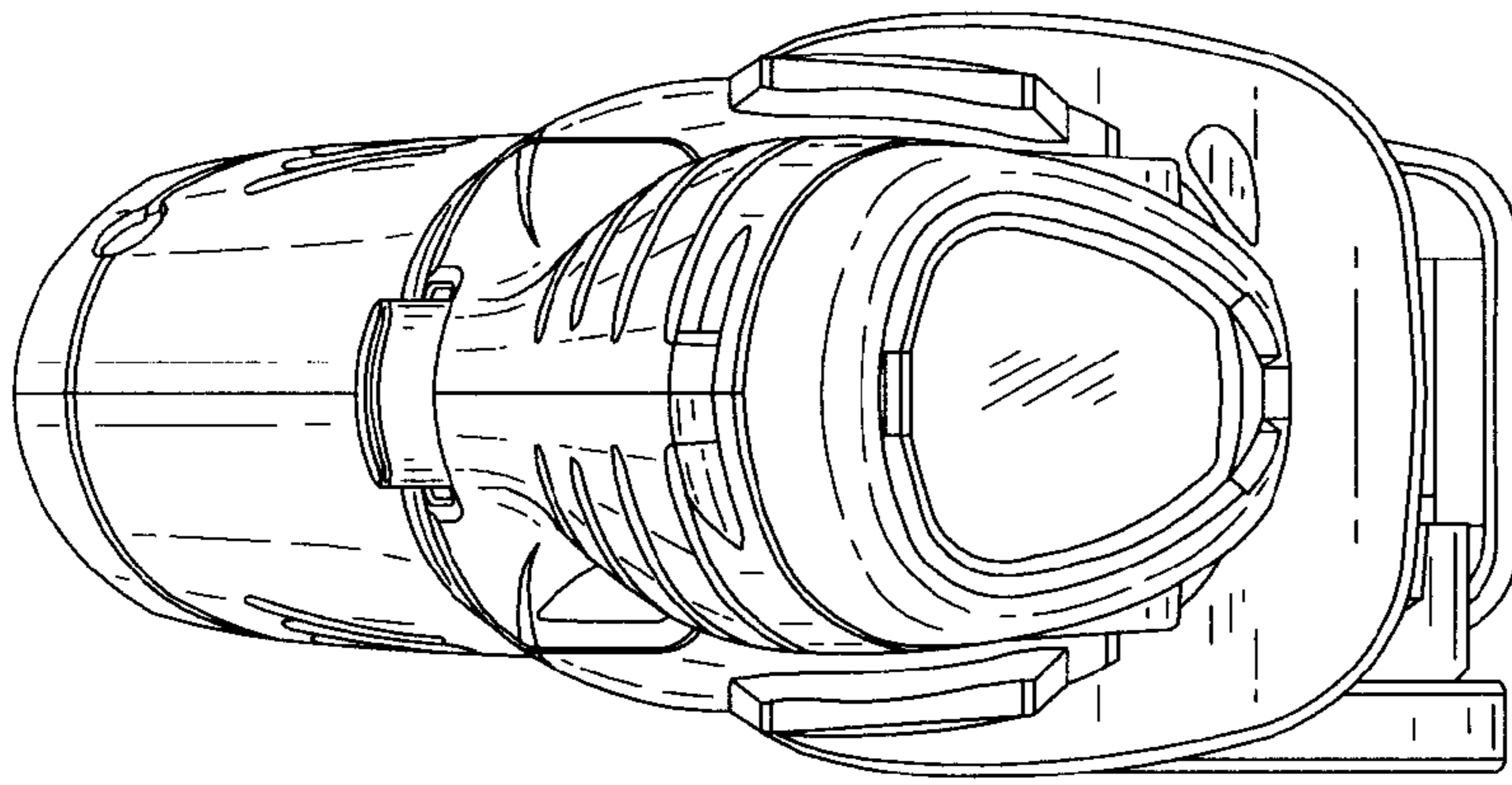


FIG.5

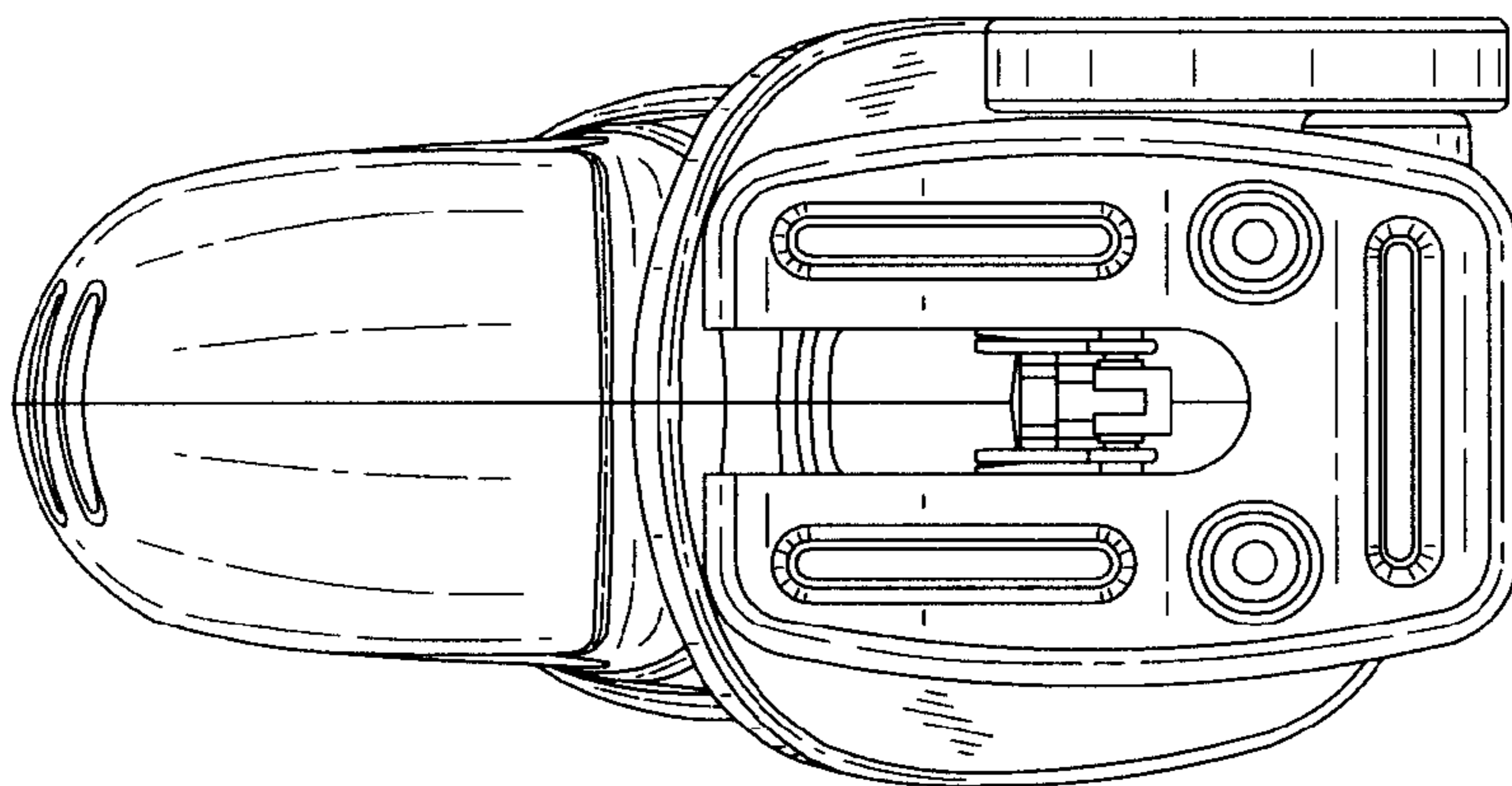


FIG.4

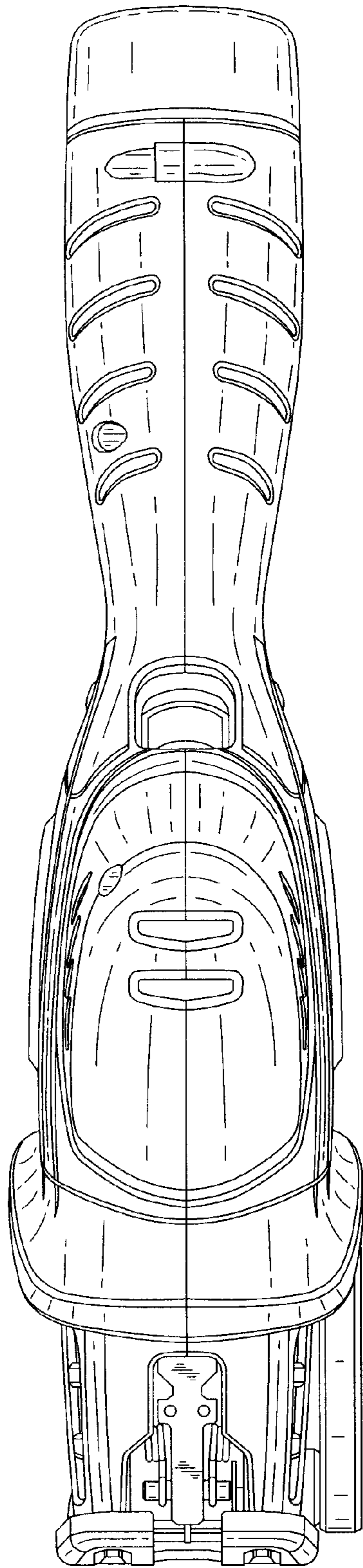


FIG. 6

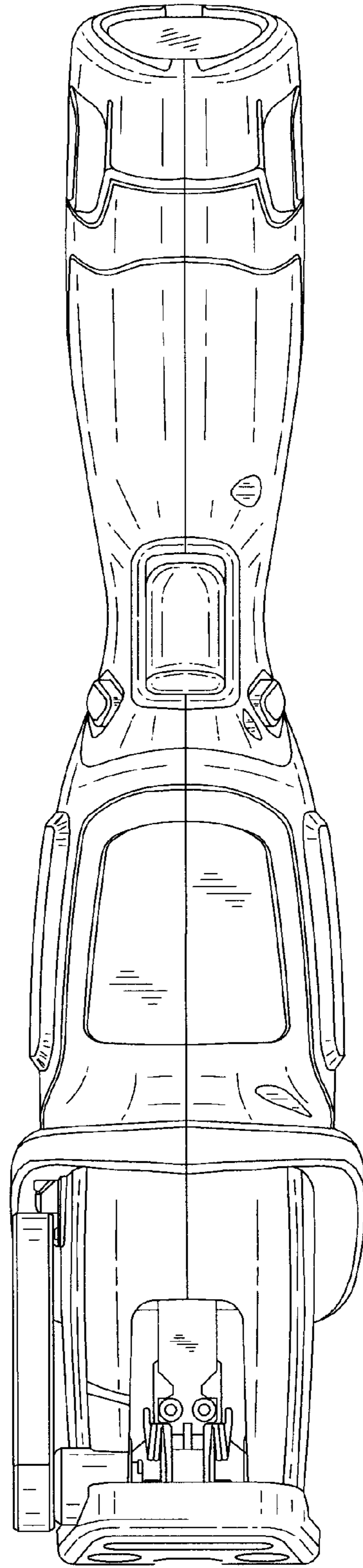


FIG. 7