

US00D631312S

(12) **United States Design Patent**
Wallimann-Durrer et al.

(10) **Patent No.:** **US D631,312 S**
(45) **Date of Patent:** **** Jan. 25, 2011**

(54) **HOT AIR TOOL**

(75) Inventors: **Leo Wallimann-Durrer**, Alpnachstad (CH); **Hans Arnold**, Alpnach (CH); **Christof Bigler**, Rufenacht (CH); **Peter Wirz**, Adligenswil (CH)

(73) Assignee: **Leister Process Technologies**, Kagiswill (CH)

(**) Term: **14 Years**

(21) Appl. No.: **29/335,546**

(22) Filed: **Apr. 17, 2009**

(30) **Foreign Application Priority Data**

Jan. 26, 2009 (EM) 001075238

(51) **LOC (9) Cl.** **08-05**

(52) **U.S. Cl.** **D8/29.1**

(58) **Field of Classification Search** D8/29.1, D8/29.2, 30, 51; 392/379, 383, 384; 219/221, 219/225, 117, 228, 229, 200, 205; 294/49, 294/54.5

See application file for complete search history.

(56) **References Cited**

U.S. PATENT DOCUMENTS

4,721,121 A * 1/1988 Adams 132/212
4,750,750 A * 6/1988 Batalorf, Jr. 279/144

D319,768 S * 9/1991 Smith D8/29.1
D436,507 S * 1/2001 Cheng D8/29.1
D456,681 S * 5/2002 Cheng D8/29.1
D458,524 S * 6/2002 Cheng D8/29.1
D475,590 S * 6/2003 Huang D8/29.1
6,584,718 B1 * 7/2003 Serrao 42/70.11
D607,026 S * 12/2009 Risse D15/144
D611,971 S * 3/2010 Risse D15/144
2009/0103882 A1 * 4/2009 Melville et al. 385/137

* cited by examiner

Primary Examiner—Prabhakar Deshmukh

(74) *Attorney, Agent, or Firm*—Bachman & LaPointe, P.C.

(57) **CLAIM**

The ornamental design for a hot air tool, as shown and described.

DESCRIPTION

FIG. 1 is a perspective view of a hot air tool showing our new design;

FIG. 2 is a side view thereof;

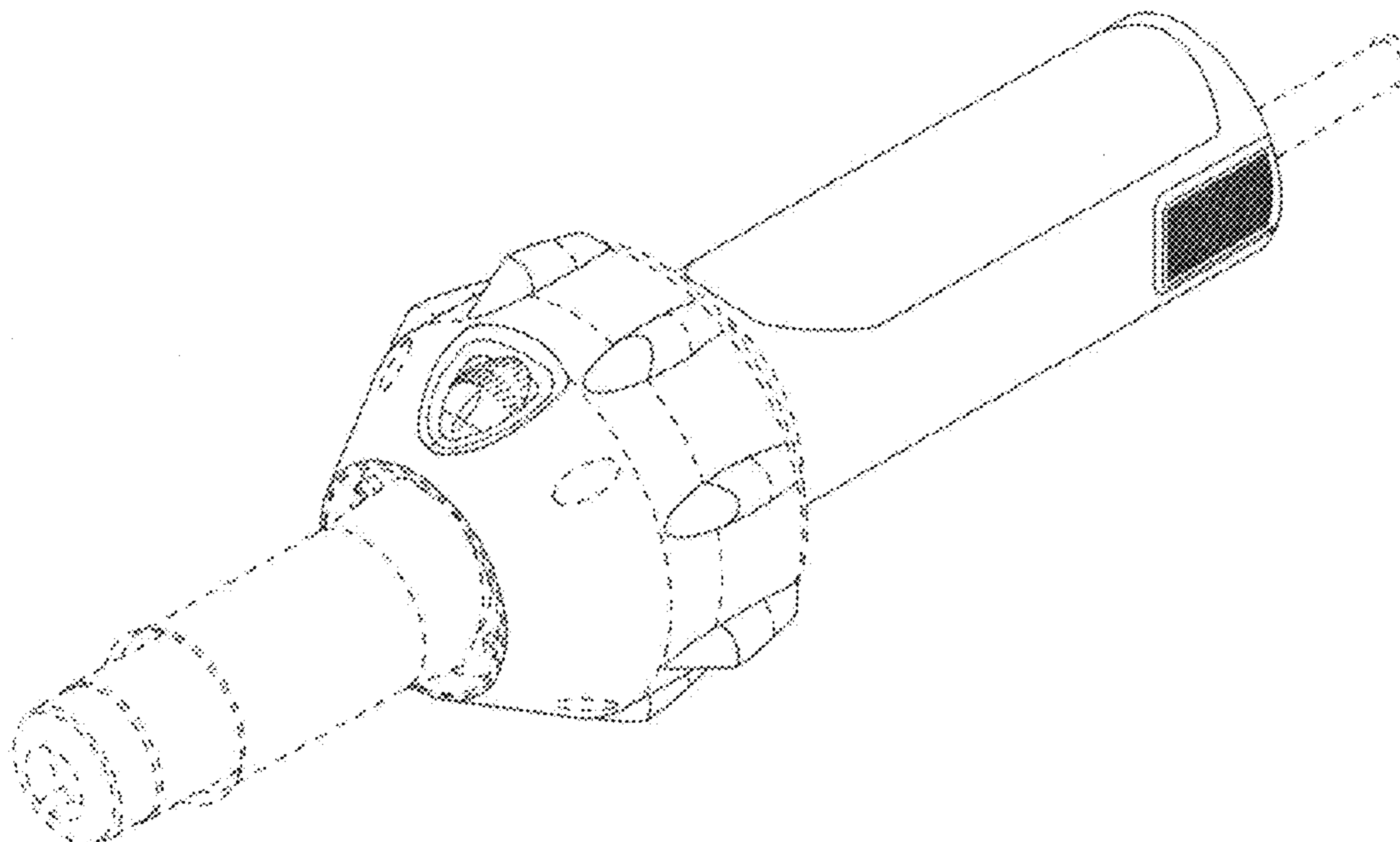
FIG. 3 is a top plan view thereof;

FIG. 4 is an enlarged scale rear perspective view thereof; and,

FIG. 5 is an enlarged scale fragmentary view thereof.

The broken lines are form illustrative purpose only and from no part of the claimed design.

1 Claim, 5 Drawing Sheets



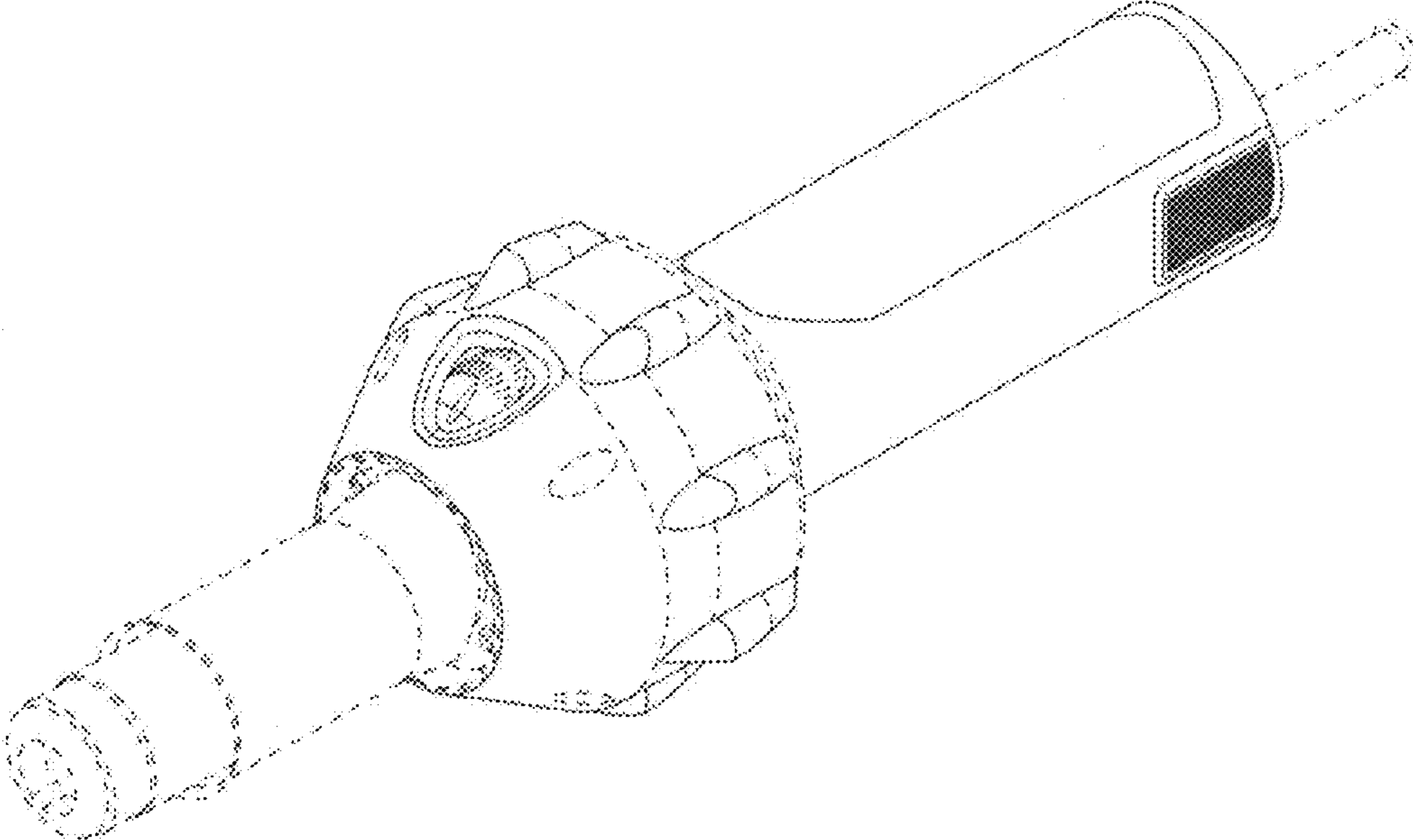


FIG. 1

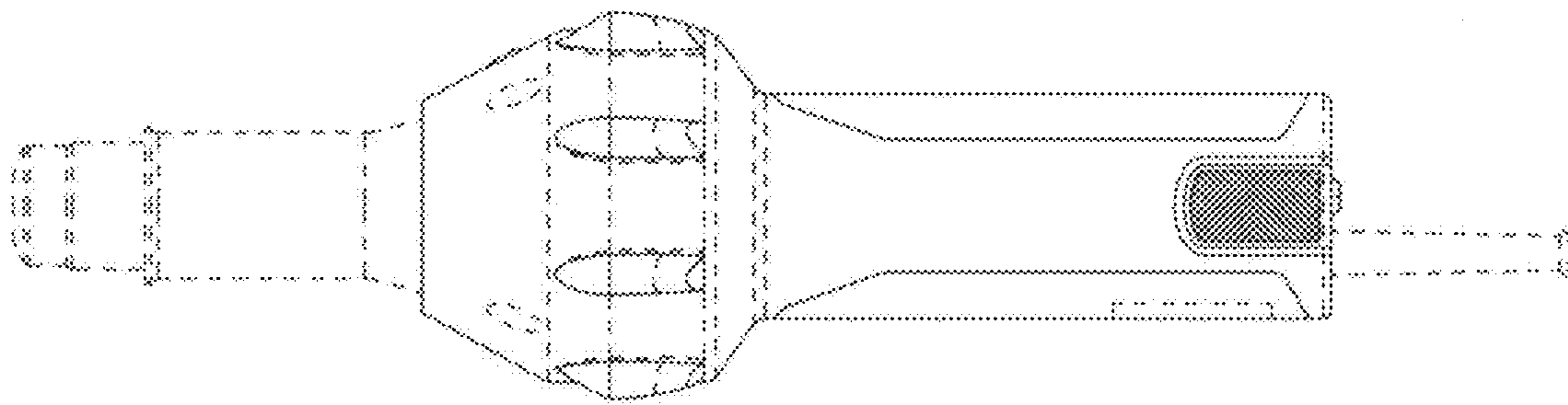


FIG. 2

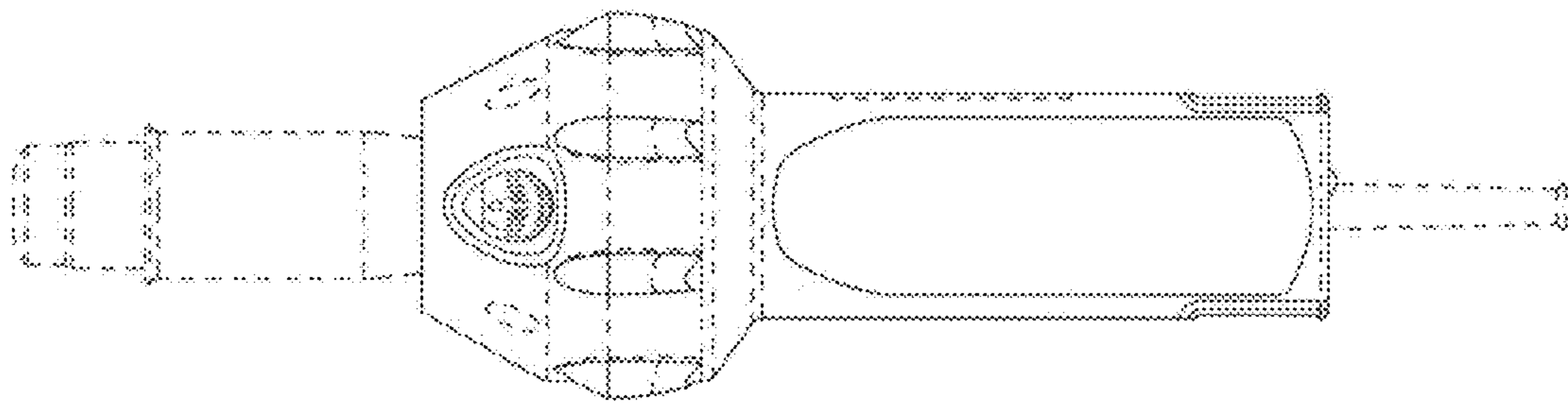


FIG. 3

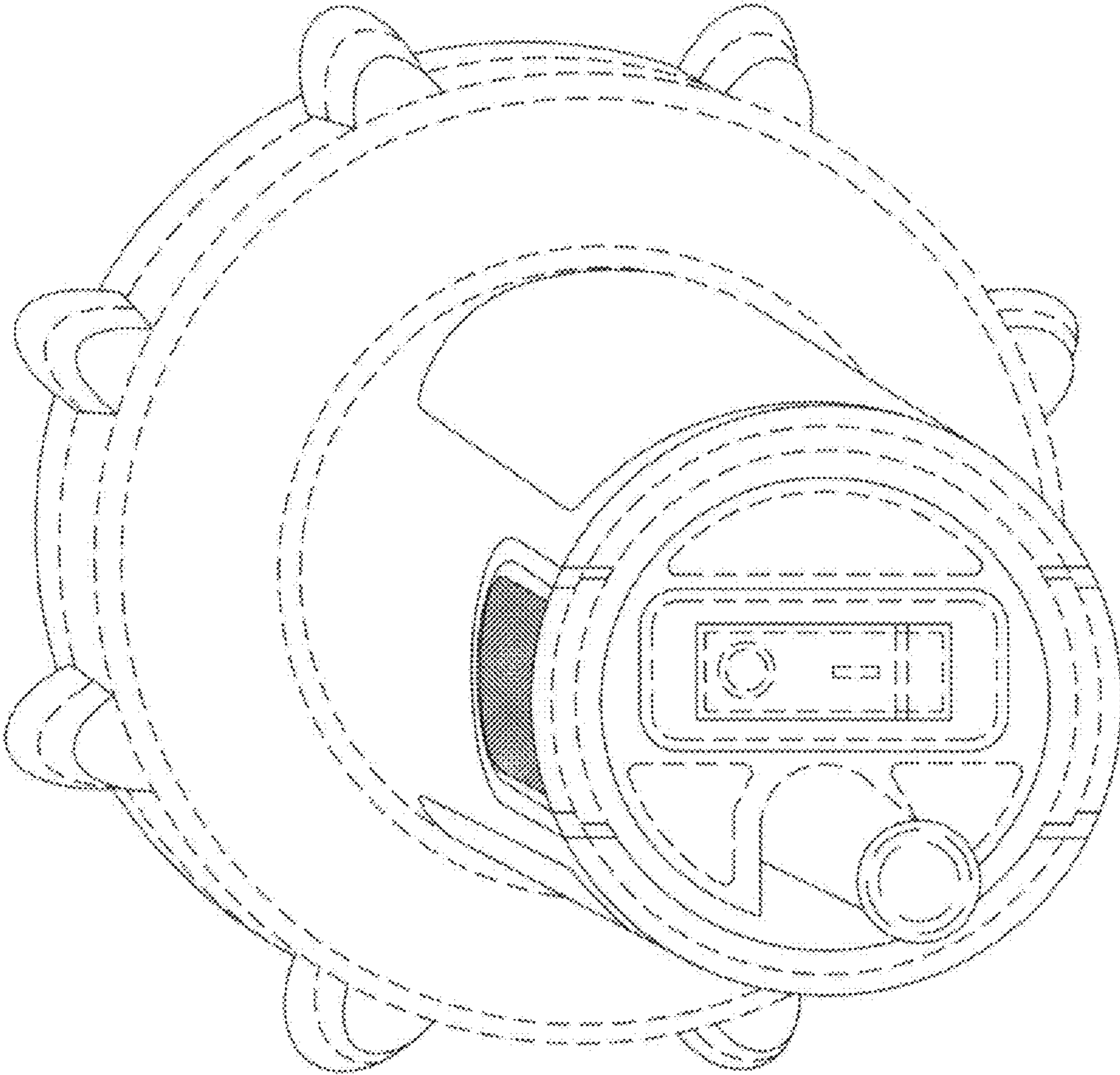


FIG. 4

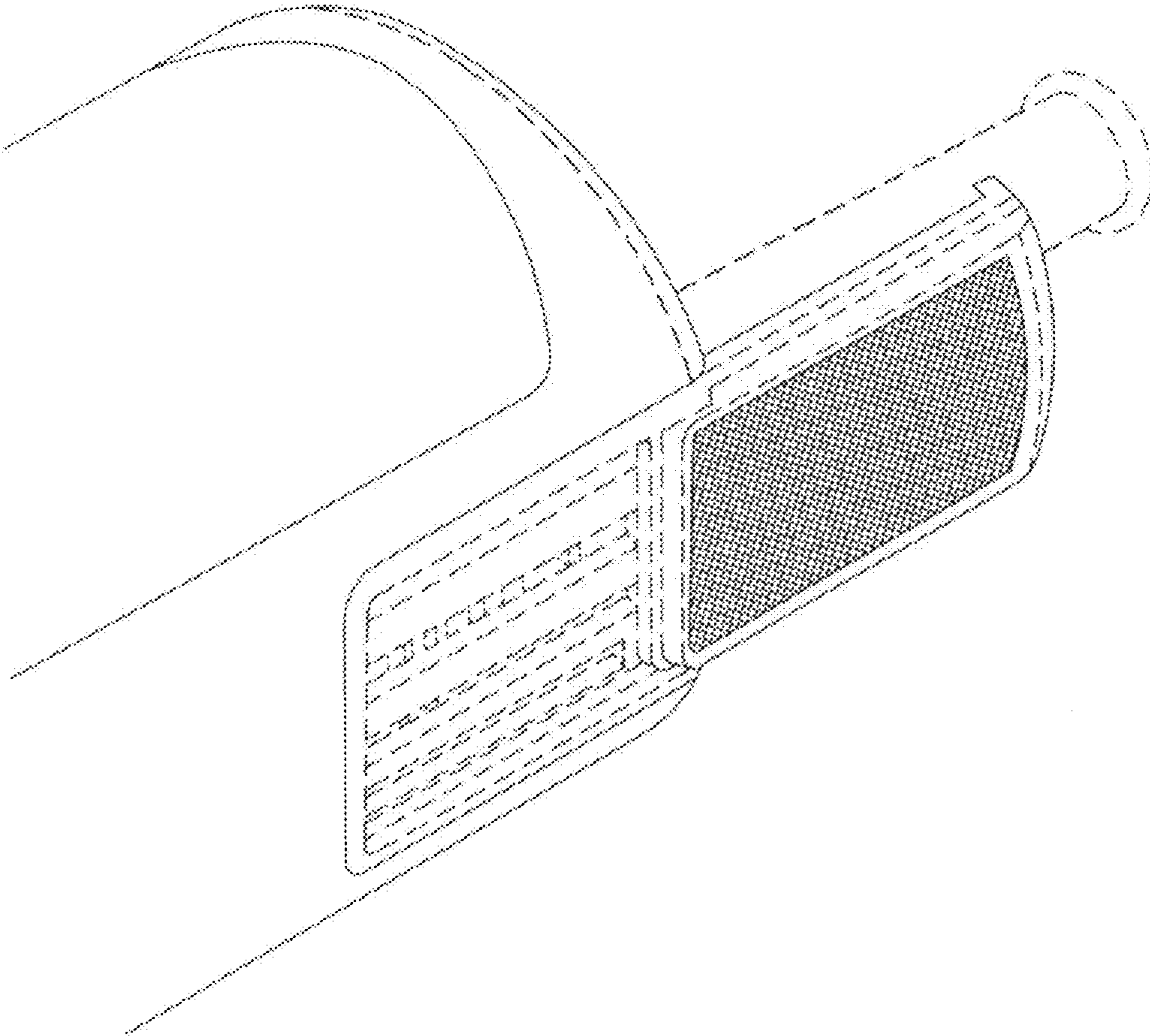


FIG. 5