



US00D631310S

(12) **United States Design Patent**
Senyk et al.

(10) **Patent No.:** **US D631,310 S**
(45) **Date of Patent:** **** Jan. 25, 2011**

(54) **MULTIFUNCTION TOOL**

(75) Inventors: **Jeremy A. Senyk**, Macomb, MI (US);
Kenneth A. Greene, West Bloomfield,
MI (US)

(73) Assignee: **The United States of America as
represented by the Secretary of the
Army**, Washington, DC (US)

(**) Term: **14 Years**

(21) Appl. No.: **29/369,395**

(22) Filed: **Sep. 8, 2010**

(51) **LOC (9) Cl.** **08-05**

(52) **U.S. Cl.** **D8/26**

(58) **Field of Classification Search** D8/17,
D8/21-29, 105-108; 81/60, 177.1, 177.85,
81/121.1, 124.3, 165-170, 110.1, 176.2,
81/124.6, 176.1, 176.15, 177.2; 16/110.1;
D15/144.1; 219/75, 227, 229, 121.16, 121.18
See application file for complete search history.

(56) **References Cited**

U.S. PATENT DOCUMENTS

4,953,248 A 9/1990 Trombetta

(Continued)

Primary Examiner—Raphael Barkai

Assistant Examiner—Randall Gholson

(74) *Attorney, Agent, or Firm*—David L. Kuhn; Thomas W.
Saur; Luis Miguel Acosta

(57) **CLAIM**

The ornamental design for a multifunction tool, as shown and
described.

DESCRIPTION

The invention described here may be made, used and licensed
by and for the U.S. Government for governmental purposes
without paying royalty to us.

FIG. 1 is a front, left, top isometric view of a multifunction
tool;

FIG. 2 is a front elevation view of the multifunction tool;

FIG. 3 is a rear elevation view of the multifunction tool;

FIG. 4 is a top plan view of the multifunction tool;

FIG. 5 is a bottom plan view of the multifunction tool;

FIG. 6 is a left side elevation view of the multifunction tool;

FIG. 7 is a right side elevation view of the multifunction tool;

FIG. 8 is a front, left, top isometric view of the multifunction
tool, wherein appendages which are normally secured in the
interior of the housing of the multifunction tool are illus-
trated;

FIG. 9 is a rear, left, top isometric view of the multifunction
tool, wherein the appendages which are normally secured in
the interior of the housing are illustrated;

FIG. 10 is a front, right, top isometric view of the multifunc-
tion tool, wherein the appendages which are normally secured
in the interior of the housing are illustrated;

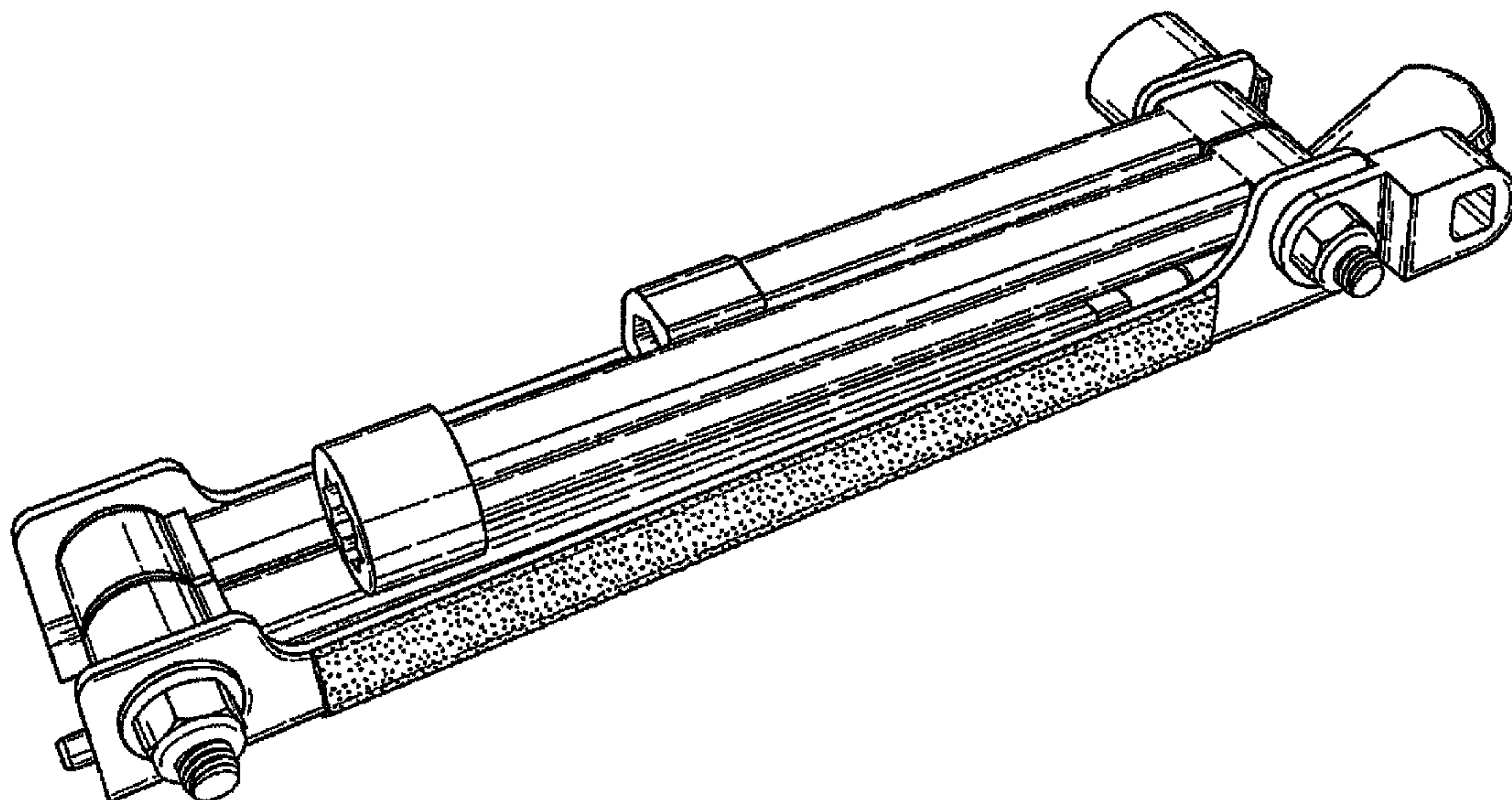
FIG. 11 is a rear, right, top isometric view of the multifunction
tool, wherein the appendages which are normally secured in
the interior of the housing are illustrated; and

FIG. 12 is a front, right, bottom isometric view of the multi-
function tool, wherein the appendages which are normally
secured in the interior of the housing are illustrated; and,

FIG. 13 is a rear, right, bottom isometric view of the multi-
function tool, wherein the appendages which are normally
secured in the interior of the housing are illustrated.

Views are orthogonal projections unless otherwise noted.

1 Claim, 10 Drawing Sheets



US D631,310 S

Page 2

U.S. PATENT DOCUMENTS

5,062,173	A	11/1991	Collins et al.				
5,791,211	A *	8/1998	Bondhus et al.	81/440	6,976,410	B2 *	12/2005 Anderson et al. 81/128
6,009,581	A	1/2000	Davis et al.		D517,391	S *	3/2006 Leins D8/105
D447,041	S *	8/2001	Rivera	D8/107	7,073,918	B1	7/2006 Bauman
6,318,218	B1	11/2001	Anderson et al.		D542,617	S *	5/2007 Liu D8/105
6,332,384	B1 *	12/2001	Cluthe	81/490	D562,657	S *	2/2008 Hsieh D8/29
D455,939	S	4/2002	Allen		D597,110	S *	7/2009 Anitua Aldecoa D15/139
D468,987	S	1/2003	Dreyfus et al.		7,555,972	B1 *	7/2009 Chen 81/440
					D600,521	S *	9/2009 Butler D8/29
					D600,526	S *	9/2009 Avery et al. D8/105

* cited by examiner

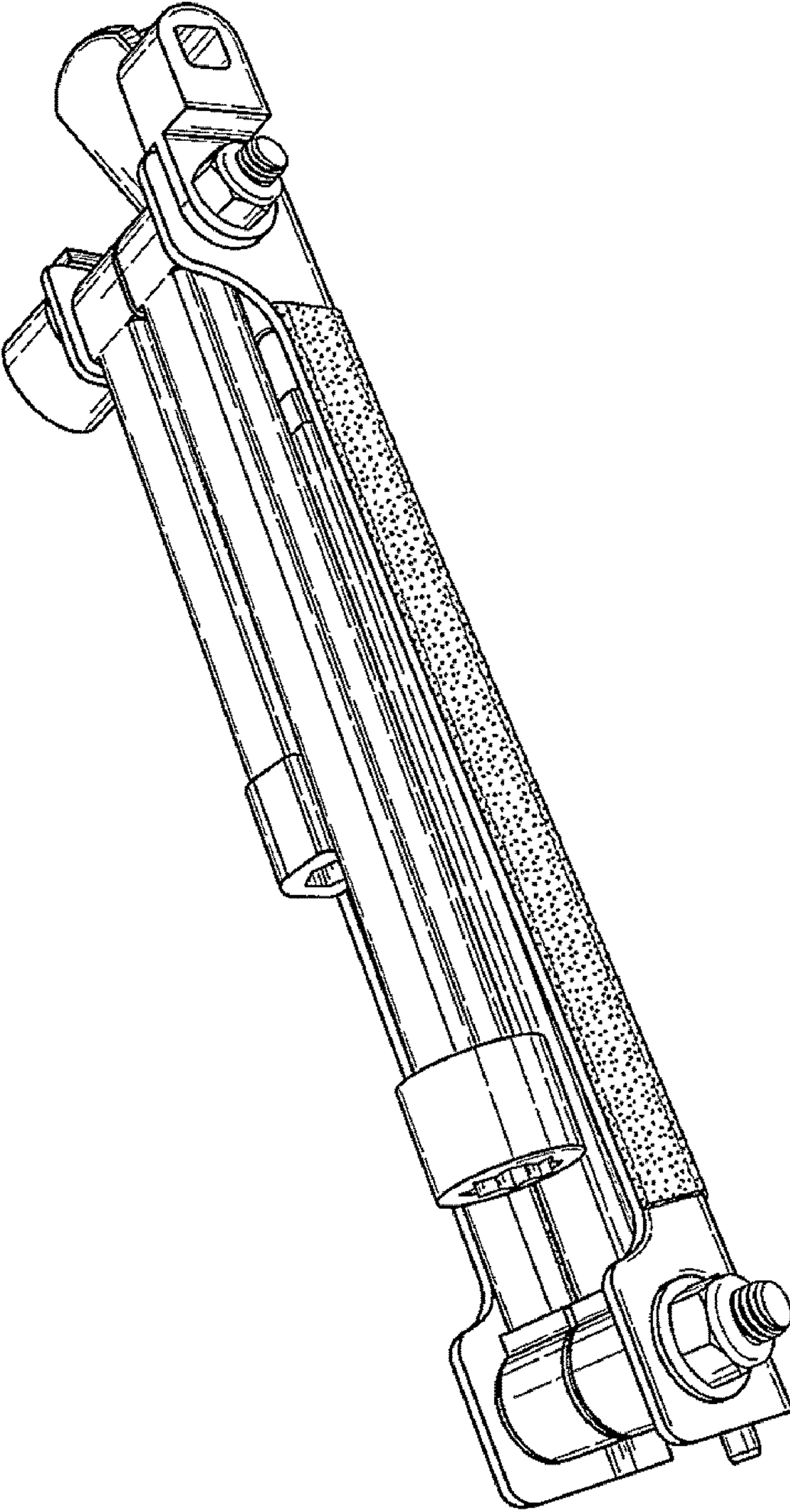


FIG. 1

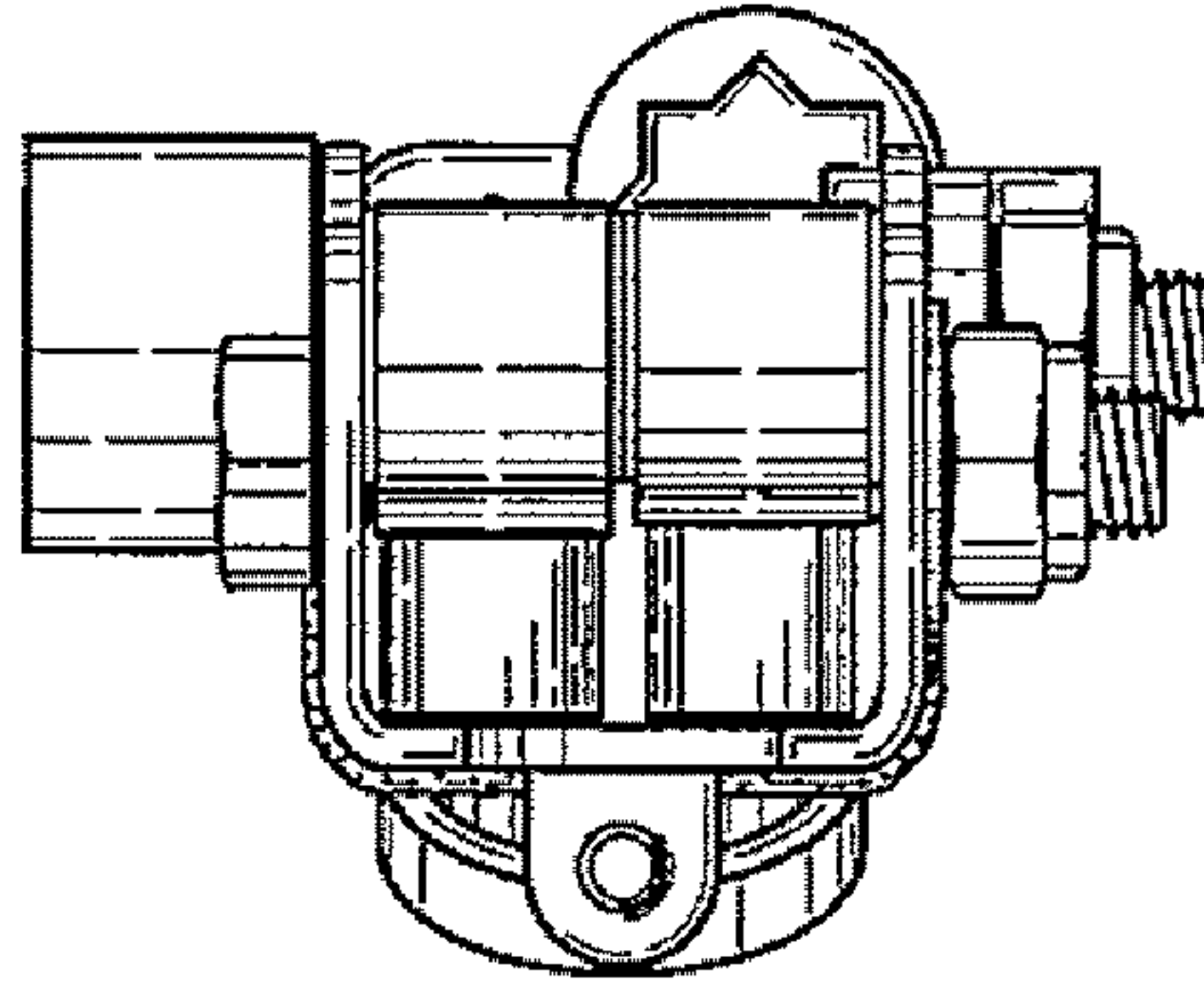


FIG. 2

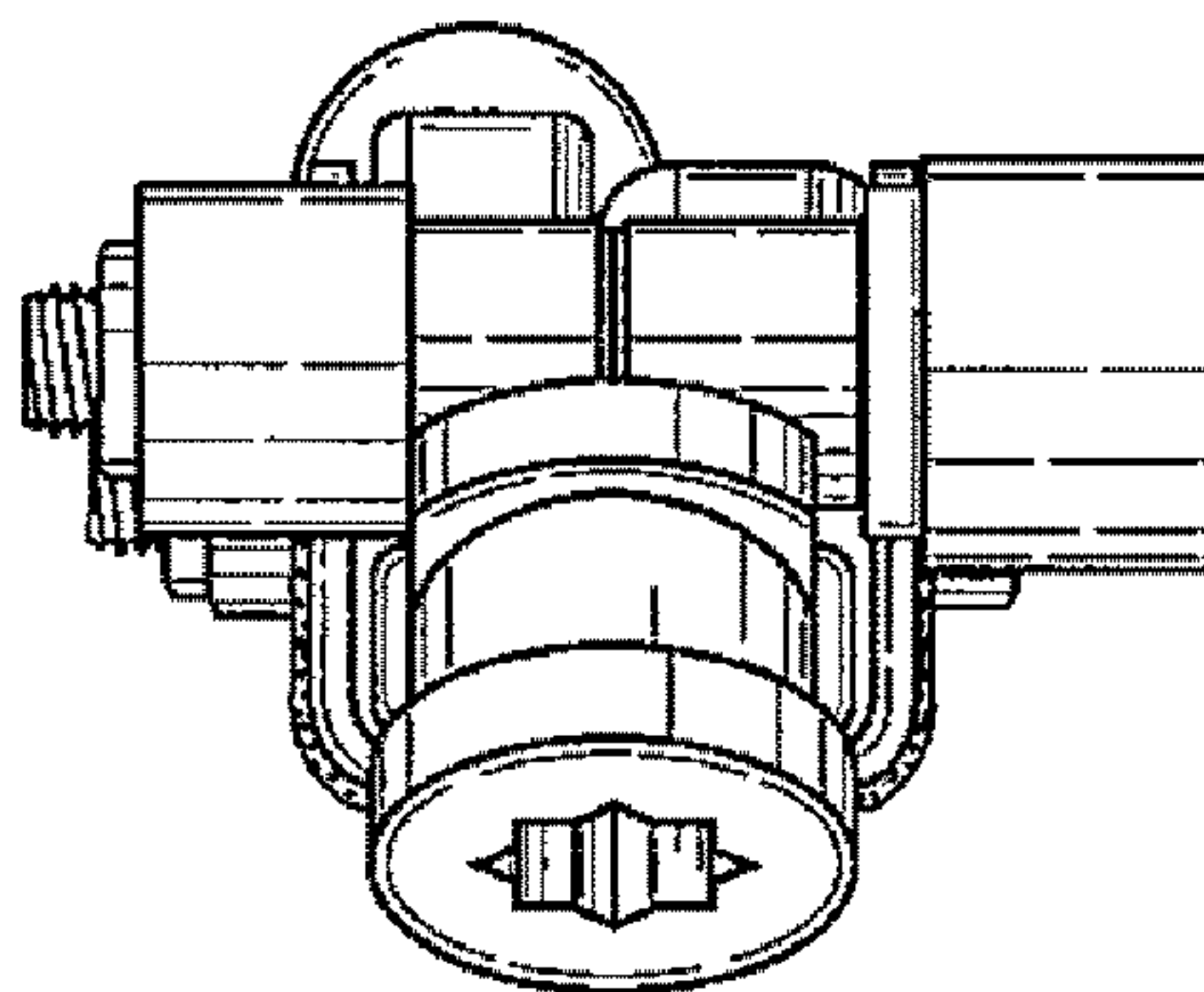


FIG. 3

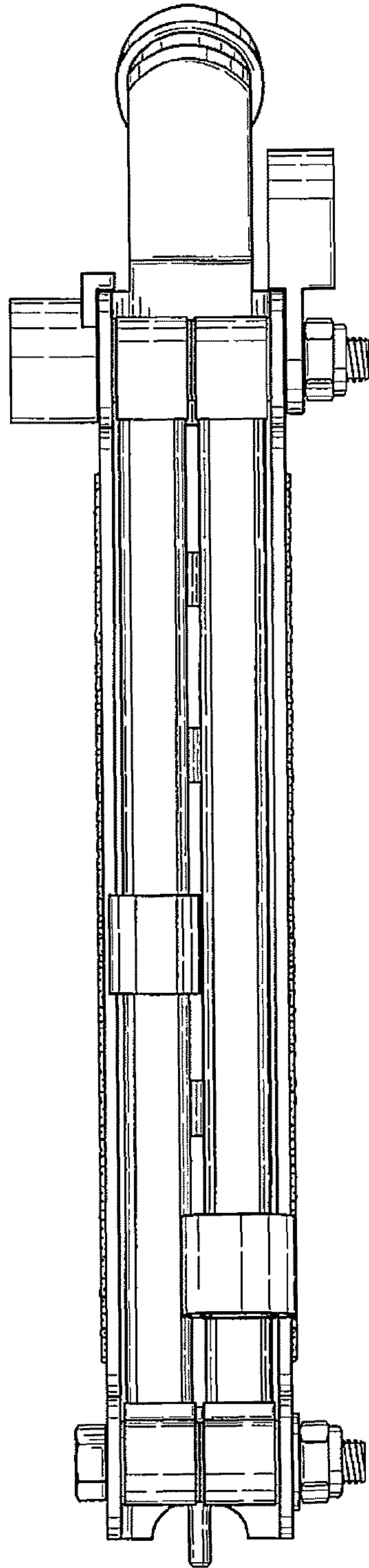


FIG. 4

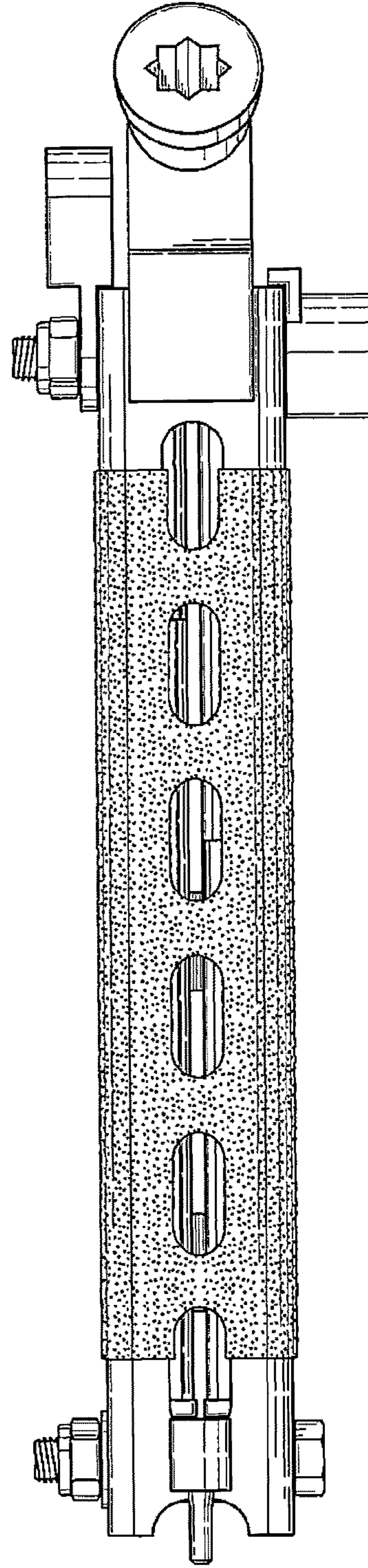


FIG. 5

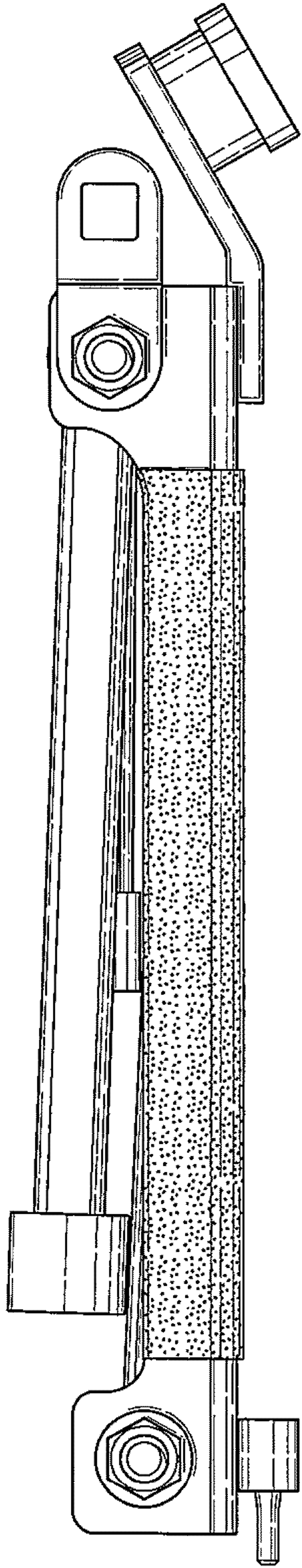


FIG. 6

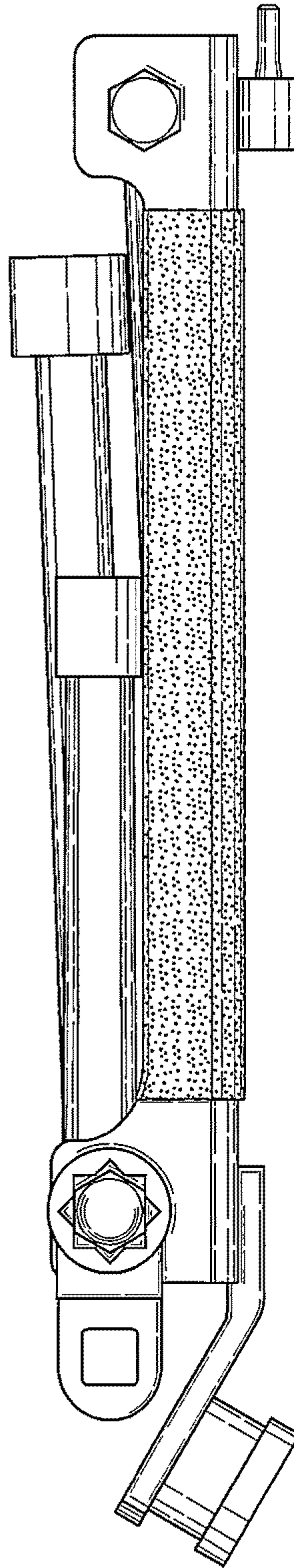


FIG. 7

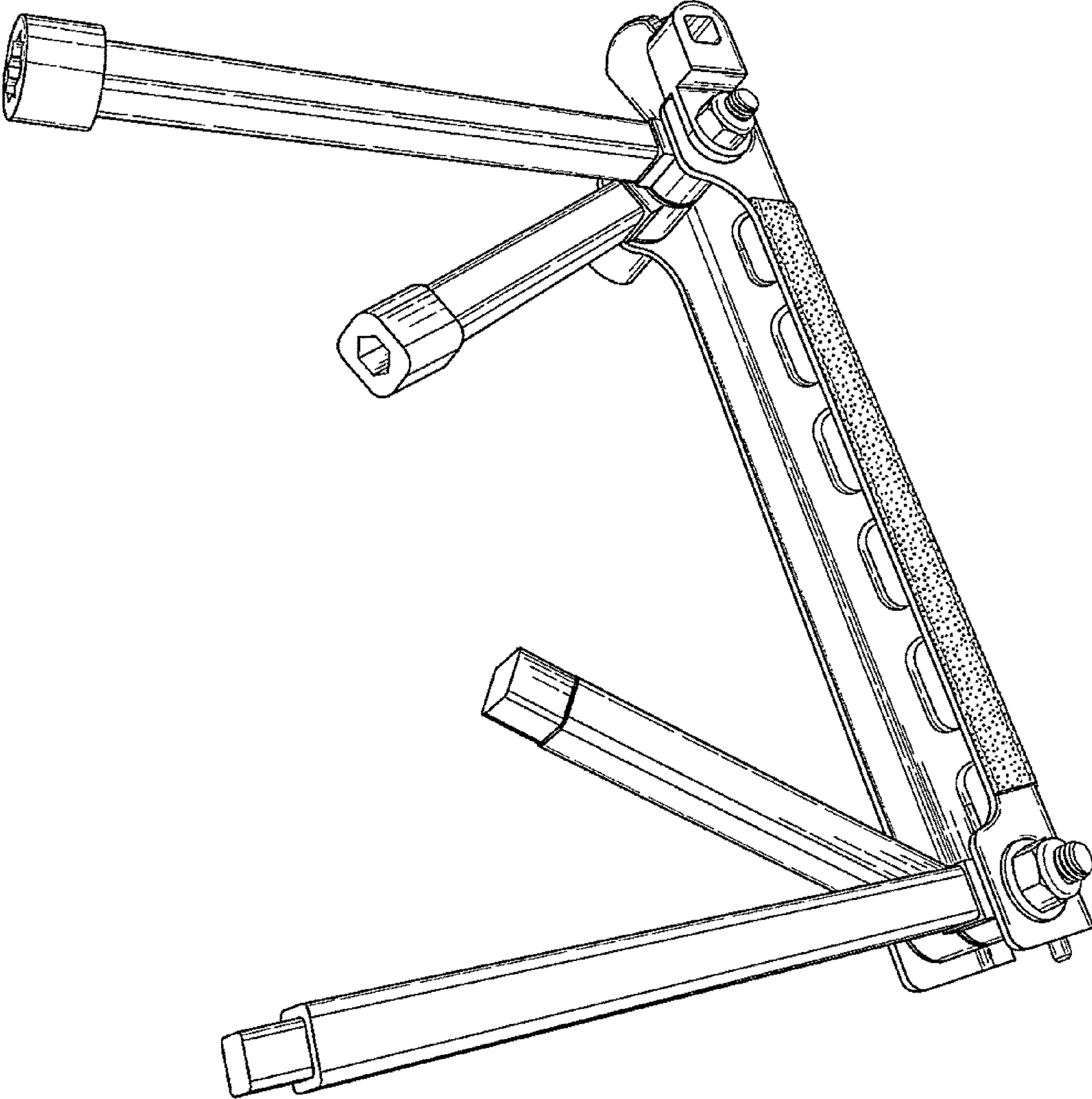


FIG. 8

FIG. 9

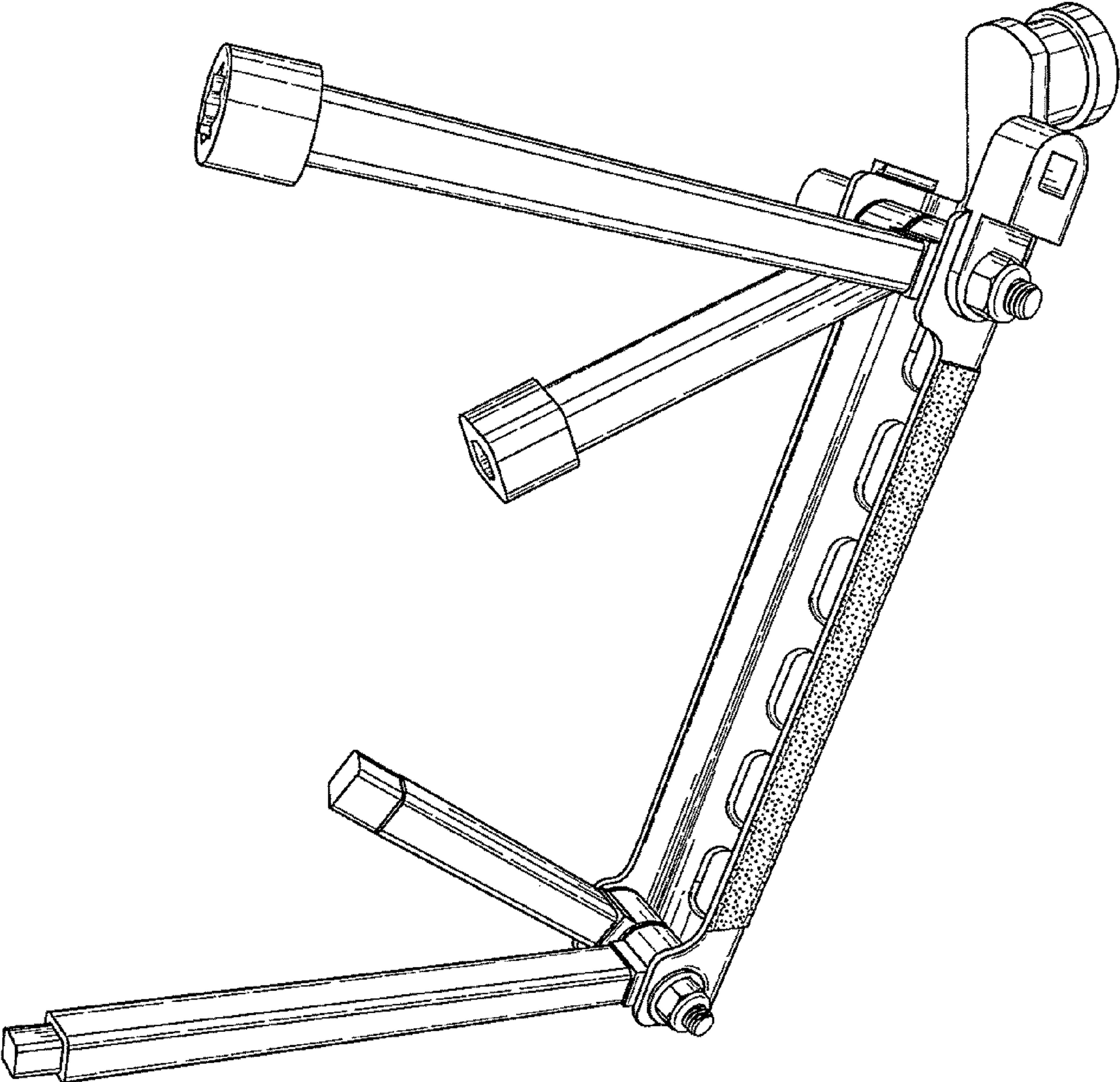
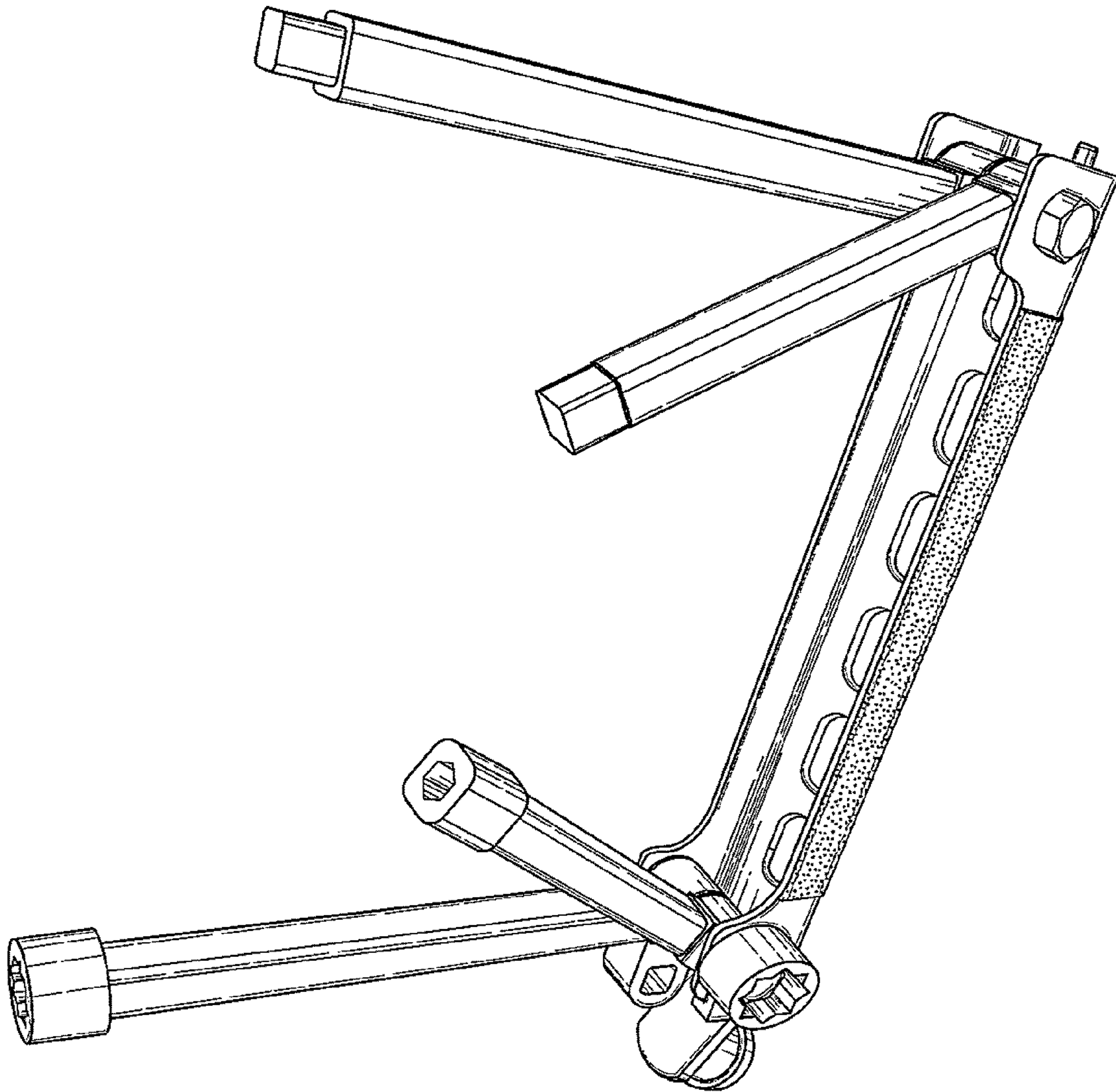


FIG. 10



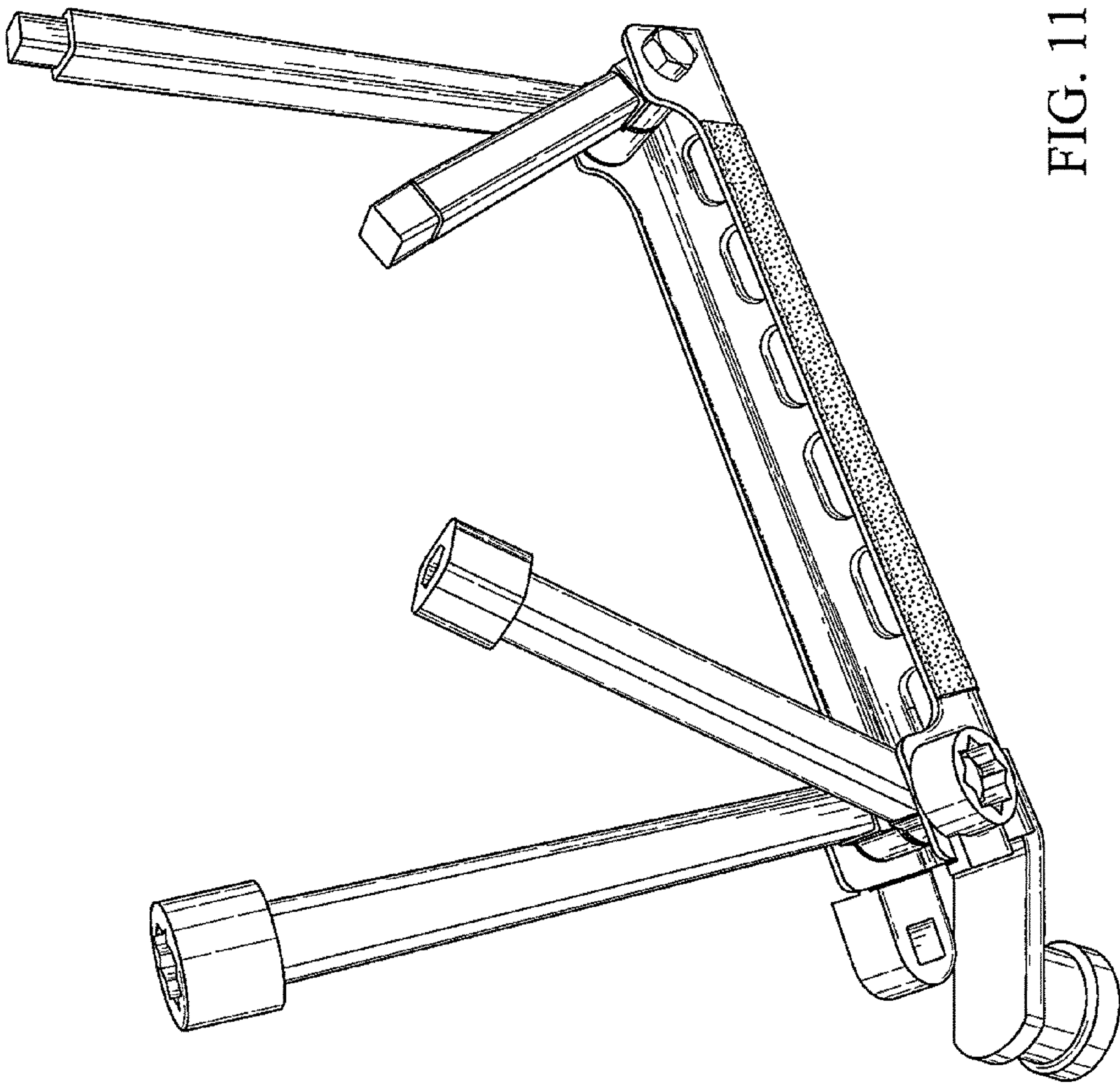


FIG. 11

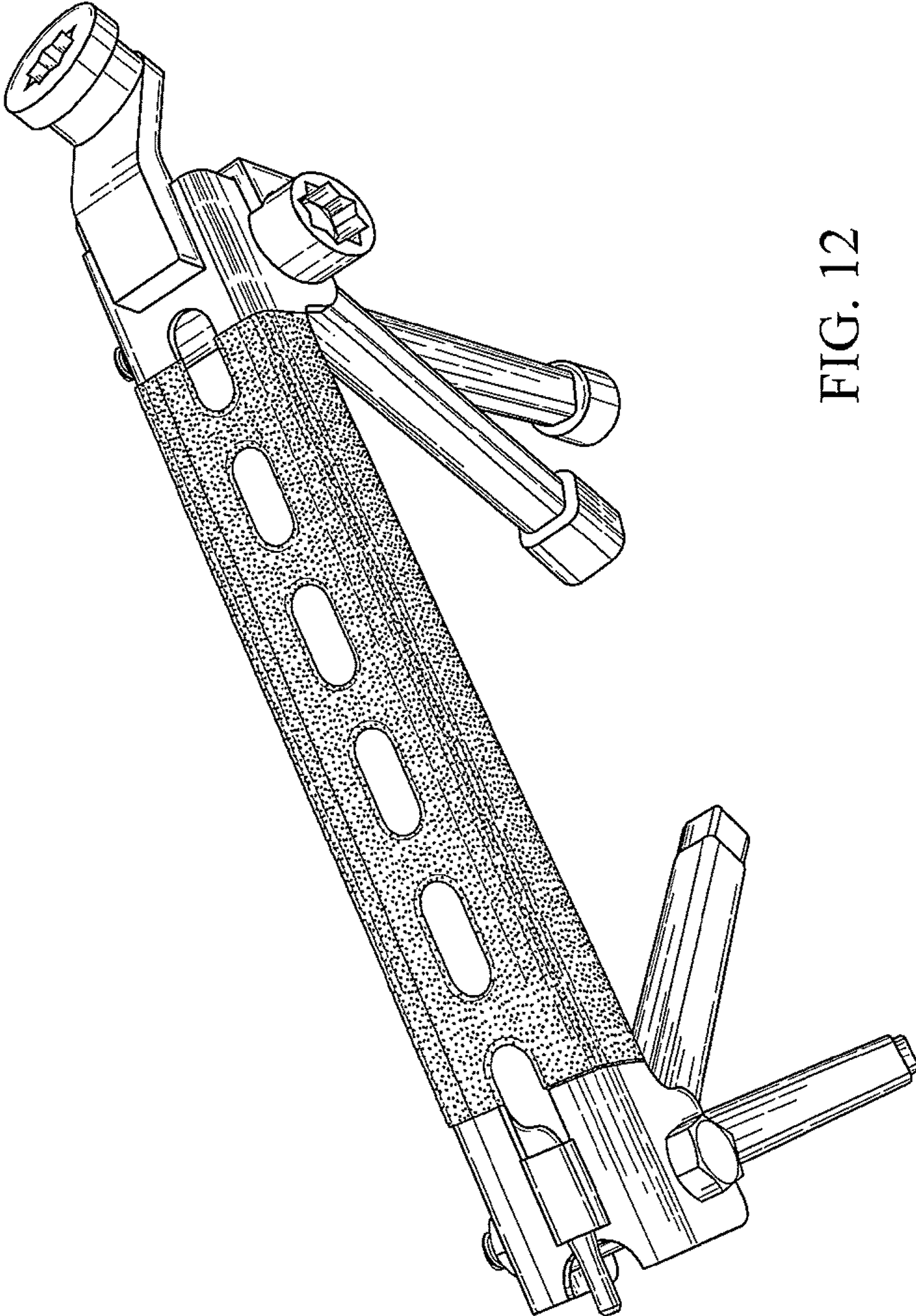


FIG. 12

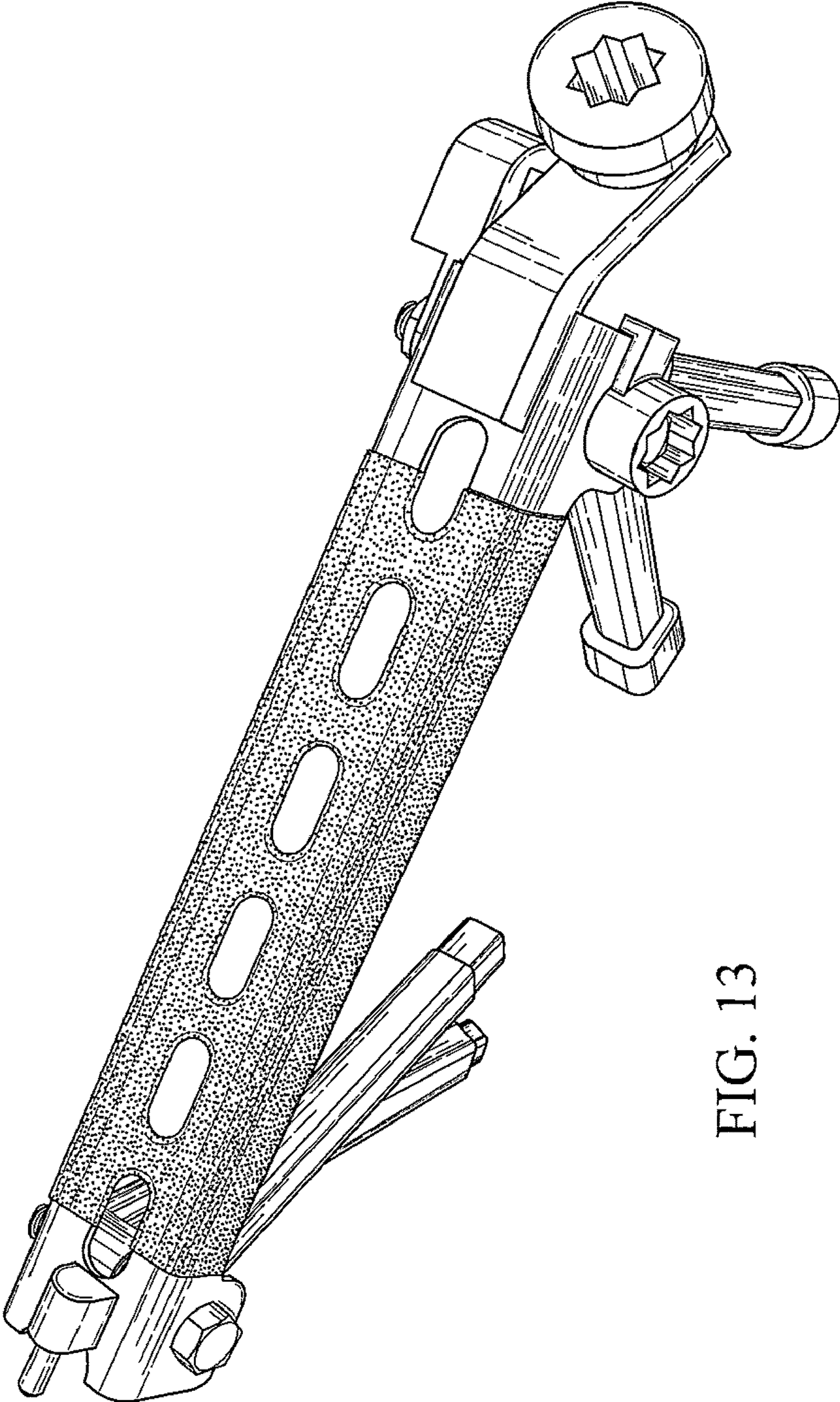


FIG. 13