

US00D631309S

(12) **United States Design Patent**
Patti

(10) **Patent No.:** **US D631,309 S**
(45) **Date of Patent:** **** Jan. 25, 2011**

(54) **SHANK FOR A NUT DRIVER HAVING A
MULTIPLE SIZED SOCKET AT THE HANDLE
END**

(76) Inventor: **Frank Richard Patti**, 5550 Lobos La.,
Atascadero, CA (US) 93422

(**) Term: **14 Years**

(21) Appl. No.: **29/315,145**

(22) Filed: **Jun. 1, 2009**

Related U.S. Application Data

(63) Continuation-in-part of application No. 29/314,549,
filed on Apr. 9, 2009, now abandoned, which is a
continuation-in-part of application No. 29/307,734,
filed on May 9, 2008, now Pat. No. Des. 593,823.

(51) **LOC (9) Cl.** **08-05**

(52) **U.S. Cl.** **D8/21**

(58) **Field of Classification Search** D8/14,
D8/21, 29, 82; 81/177.1, 177.5–177.6, 177.8–177.9
See application file for complete search history.

(56) **References Cited**

U.S. PATENT DOCUMENTS

1,835,315	A *	12/1931	McLay	81/177.9
2,068,207	A *	1/1937	Torbert, Jr.	81/177.9
3,580,097	A *	5/1971	Van Dalen	74/421 R
3,850,056	A *	11/1974	Allen	81/438
4,334,445	A *	6/1982	Timewell	81/177.7
4,899,415	A *	2/1990	Wheeler	15/104.05
4,938,106	A *	7/1990	Roberts	81/55
D310,472	S *	9/1990	Mader et al.	D8/82
D322,202	S *	12/1991	McIntyre	D8/21
D323,605	S *	2/1992	Frane	D8/21
D327,397	S *	6/1992	McIntyre	D8/21
5,163,345	A *	11/1992	Doan et al.	81/125
D396,391	S *	7/1998	Rein et al.	D8/14
5,778,896	A *	7/1998	Seals et al.	131/181
D396,623	S *	8/1998	Eidsmoe	D8/86
D397,599	S *	9/1998	Stamp	D8/29
D409,062	S *	5/1999	Braley	D8/29

6,318,875	B1 *	11/2001	Hrabar et al.	362/119
6,378,402	B1 *	4/2002	Kalomeris et al.	81/177.5
D473,435	S *	4/2003	Stahl	D8/21
D593,823	S *	6/2009	Patti	D8/21
7,698,972	B2 *	4/2010	Hi	81/177.8
2010/0000377	A1 *	1/2010	Barks, Sr.	81/121.1
2010/0000380	A1 *	1/2010	Richardson	81/177.8
2010/0107828	A1 *	5/2010	Huerta	81/177.9

* cited by examiner

Primary Examiner—Philip S Hyder
Assistant Examiner—Roselynn Cody

(57) **CLAIM**

The ornamental design for a shank for a nut driver having a multiple sized socket at the handle end, as shown and described.

DESCRIPTION

FIG. 1 is a perspective view of my shank for a nut driver having a multiple sized socket at the handle end showing my new design;

FIG. 2 is a reverse perspective view thereof;

FIG. 3 is a front elevation view thereof;

FIG. 4 is a right side elevation view thereof;

FIG. 5 is a rear elevation view thereof;

FIG. 6 is a left side elevation view thereof;

FIG. 7 is a top plan view thereof;

FIG. 8 is a bottom plan view thereof;

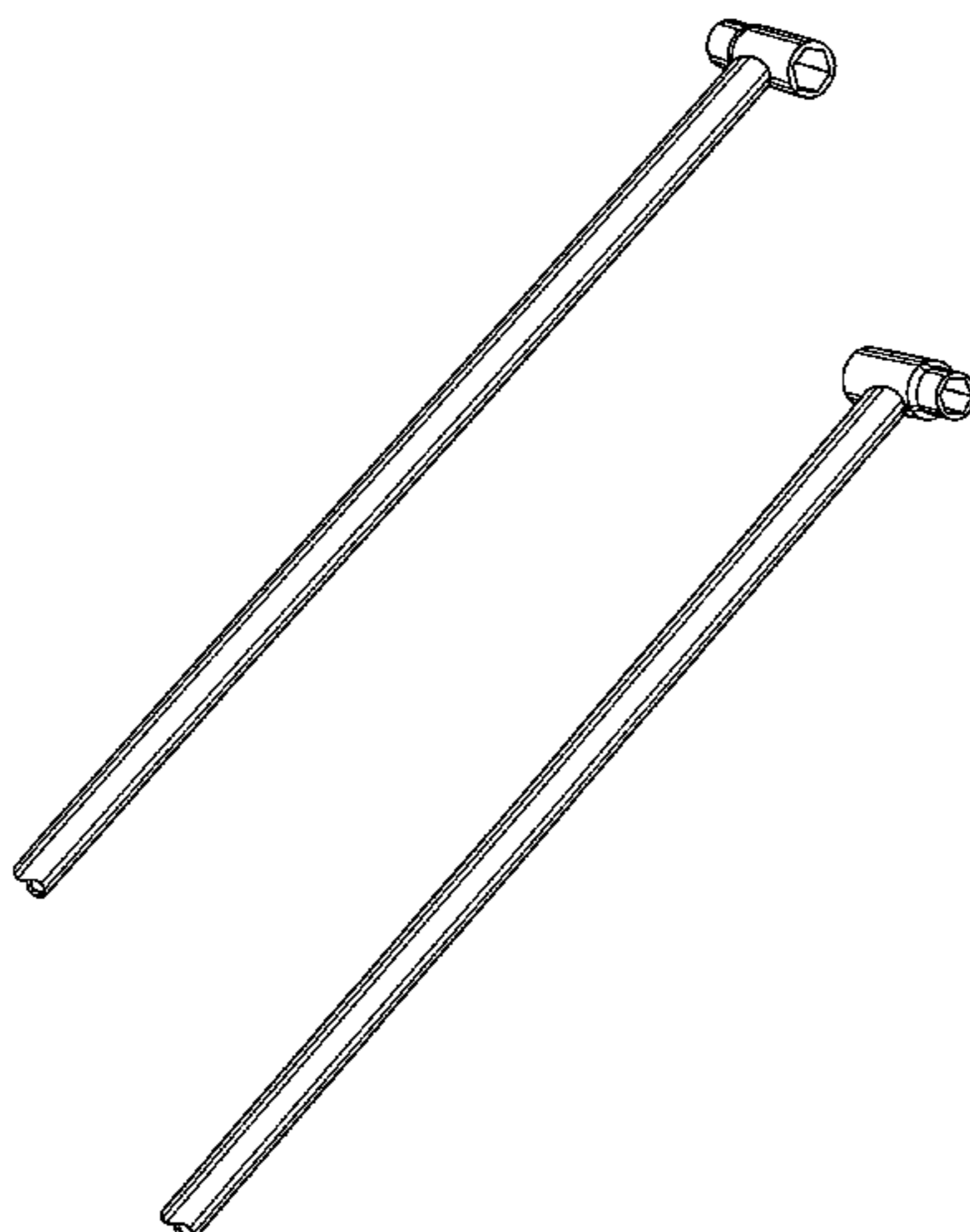
FIG. 9 is a perspective view thereof; and,

FIG. 10 is a reverse perspective view thereof.

The broken line showing of handle in FIG. 9 and FIG. 10 is included for the purpose of illustrating environmental structure and forms no part of the claimed design.

The irregular shaping shown at the bottom of the claimed design is a graphic form indicating no particular length. The claim is understood to be limited to that which is shown.

1 Claim, 3 Drawing Sheets



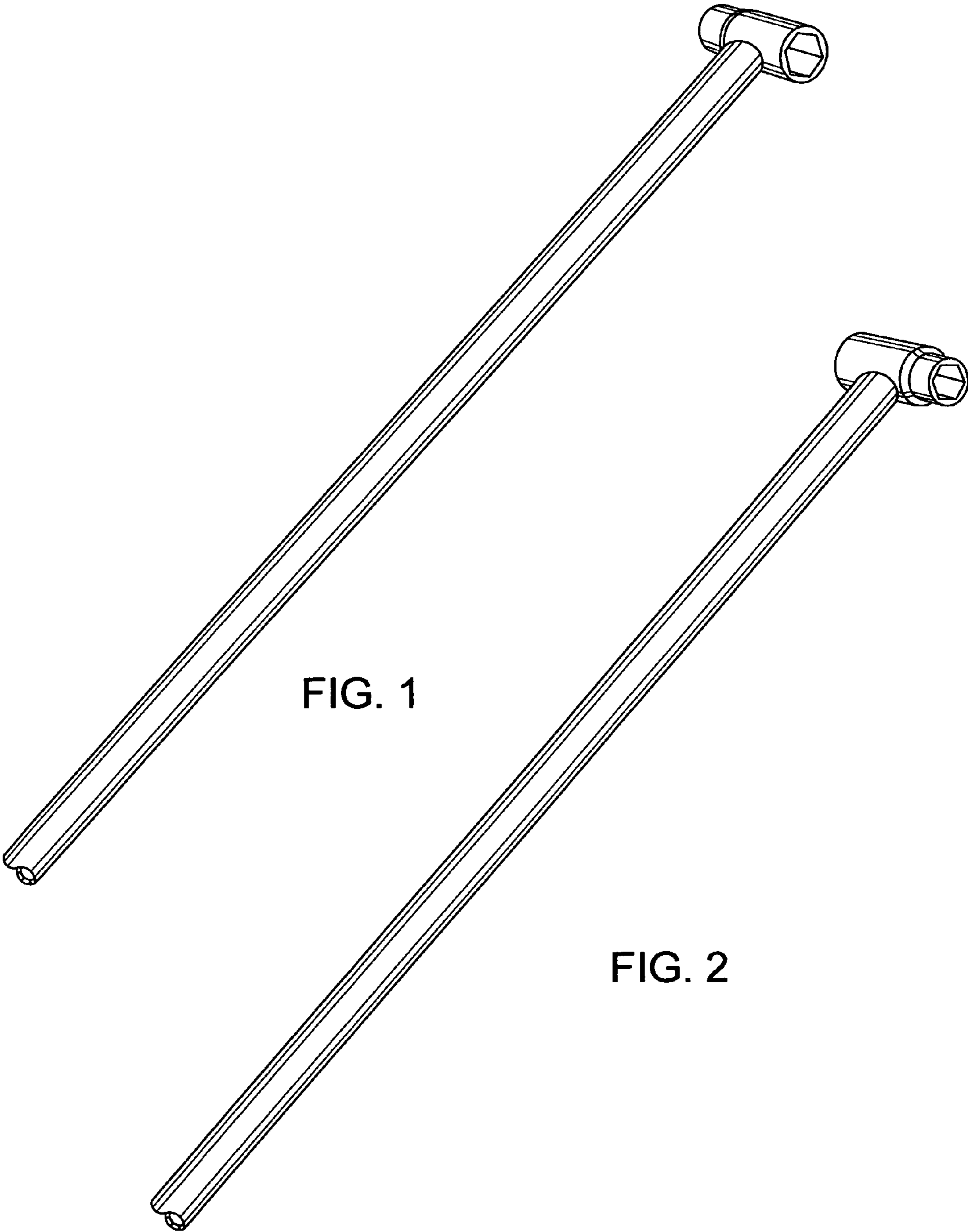


FIG. 1

FIG. 2



FIG. 3

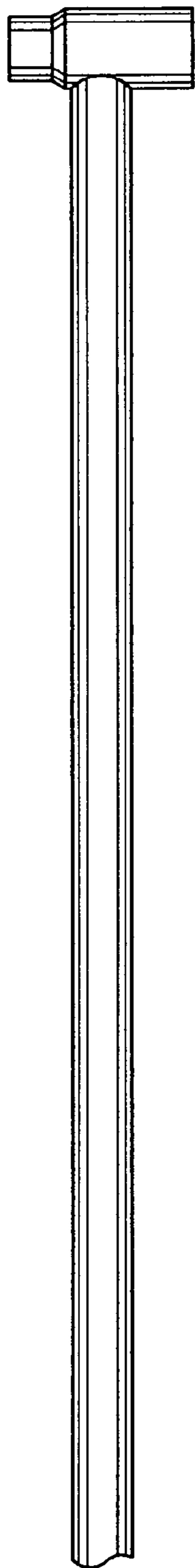


FIG. 4

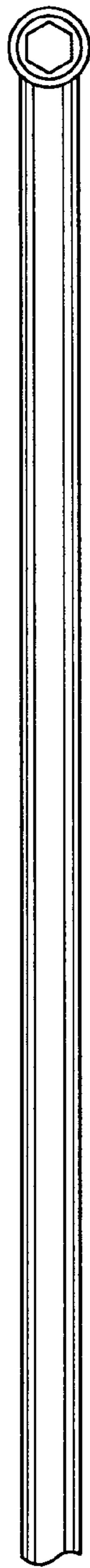


FIG. 5

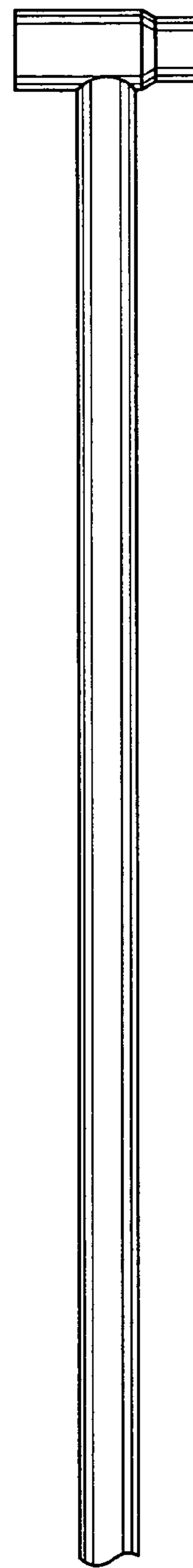


FIG. 6

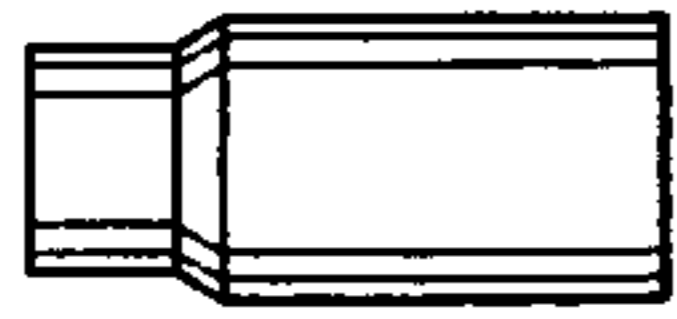


FIG. 7

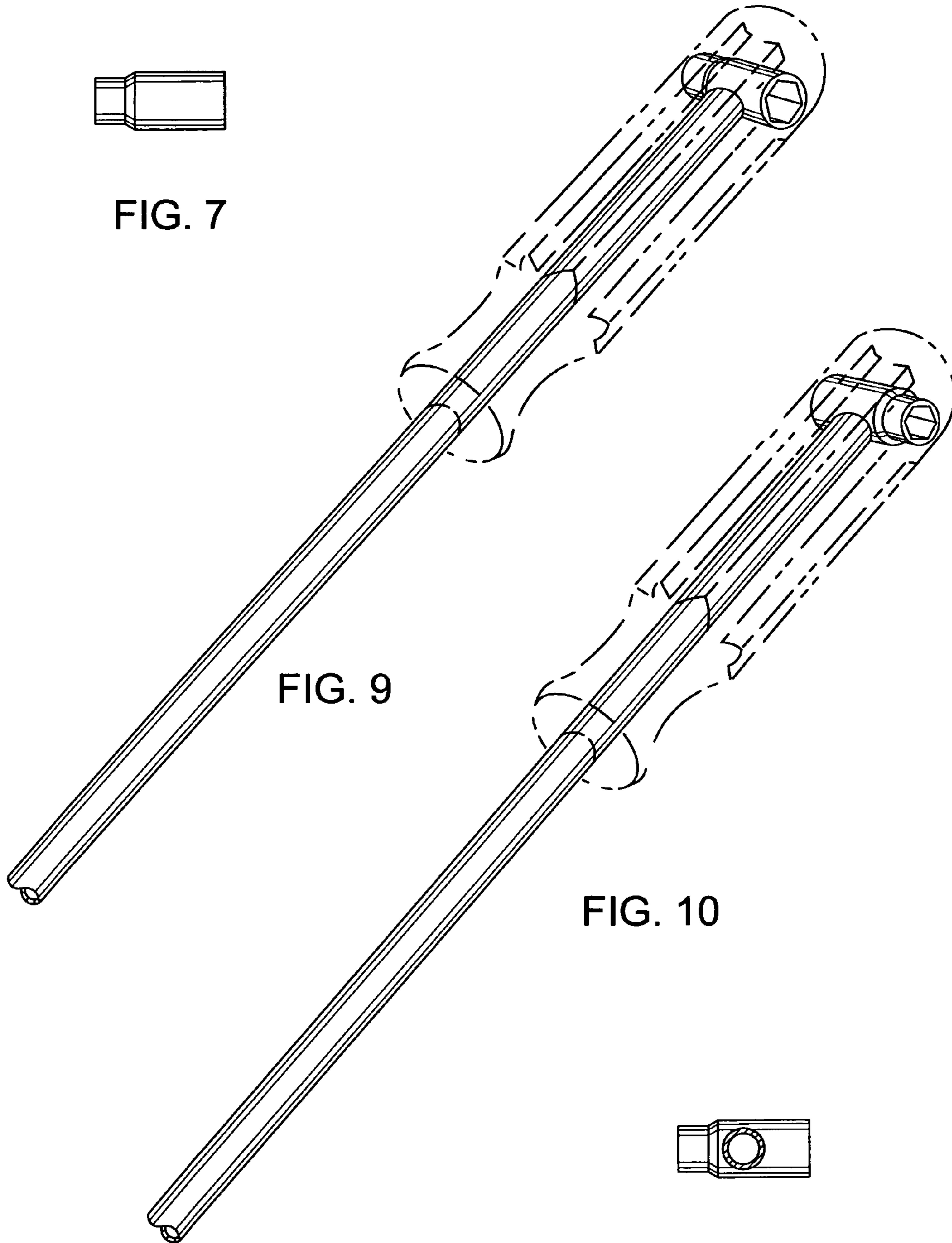


FIG. 9

FIG. 10

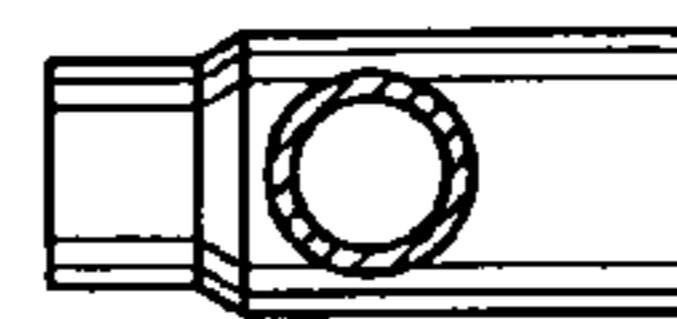


FIG. 8