



US00D631306S

(12) **United States Design Patent**  
**Capaul et al.**

(10) **Patent No.:** **US D631,306 S**  
(45) **Date of Patent:** **\*\* Jan. 25, 2011**

(54) **TOOL FOR REMOVING PRODUCT FROM A BOTTLE**

(75) Inventors: **Roxanne Capaul**, Longmont, CO (US);  
**Janice Salinkas**, Lafayette, CO (US);  
**Denise Anderson**, Westminster, CO (US)

(73) Assignee: **Mix 3 Creative, LLC**, Boulder, CO (US)

(\*\*) Term: **14 Years**

(21) Appl. No.: **29/345,528**

(22) Filed: **Oct. 16, 2009**

(51) **LOC (9) Cl.** ..... **07-06**

(52) **U.S. Cl.** ..... **D7/688**

(58) **Field of Classification Search** ..... D7/680-696;  
D8/14, 16, 19, 47; 294/7, 8, 55; D32/40,  
D32/46, 49; 15/245, 245.1, 236.01, 236.07,  
15/143.1, 236.09; 416/70, 71

See application file for complete search history.

(56) **References Cited**

U.S. PATENT DOCUMENTS

944,091 A	12/1909	Harn
2,828,502 A	4/1958	Tupper
D236,074 S	7/1975	Monagle
D243,383 S	2/1977	Ploszaj
D278,402 S	4/1985	Reichard
D286,576 S	11/1986	Schneider et al.
4,627,128 A	12/1986	Shea

5,139,177 A	8/1992	Ness	
5,291,992 A	3/1994	Olivetti	
5,345,642 A	9/1994	Faldetta	
5,491,869 A *	2/1996	Sullivan et al.	..... 15/245
5,706,546 A	1/1998	Utley	
7,182,377 B2	2/2007	Grundler	

\* cited by examiner

*Primary Examiner*—Terry A Wallace  
(74) *Attorney, Agent, or Firm*—Cochran Freund & Young LLC

(57) **CLAIM**

The ornamental design for a tool for removing product from a bottle, as shown and described.

**DESCRIPTION**

FIG. 1 is an isometric view of a tool for removing product from a bottle showing our new design.

FIG. 2 is a bottom view thereof.

FIG. 3 is a top view thereof.

FIG. 4 is a right side view thereof.

FIG. 5 is a left side view thereof.

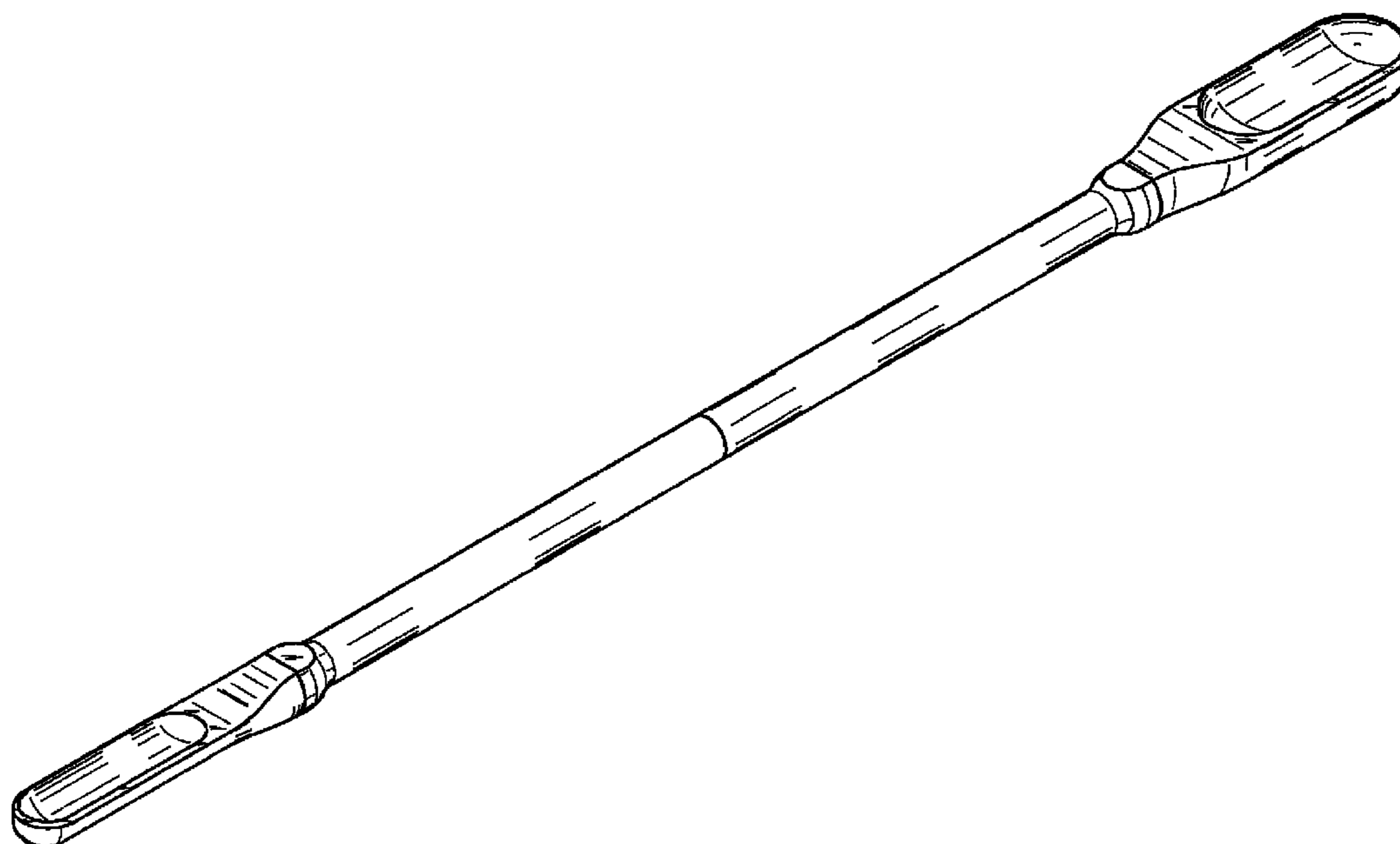
FIG. 6 is a front view thereof.

FIG. 7 is a back view thereof; and,

FIG. 8 is an exploded view thereof.

FIGS. 6-7 are shown on a larger scale for clarity of illustration. The broken lines are for illustrative purposes only and form no part of the claimed design.

**1 Claim, 5 Drawing Sheets**



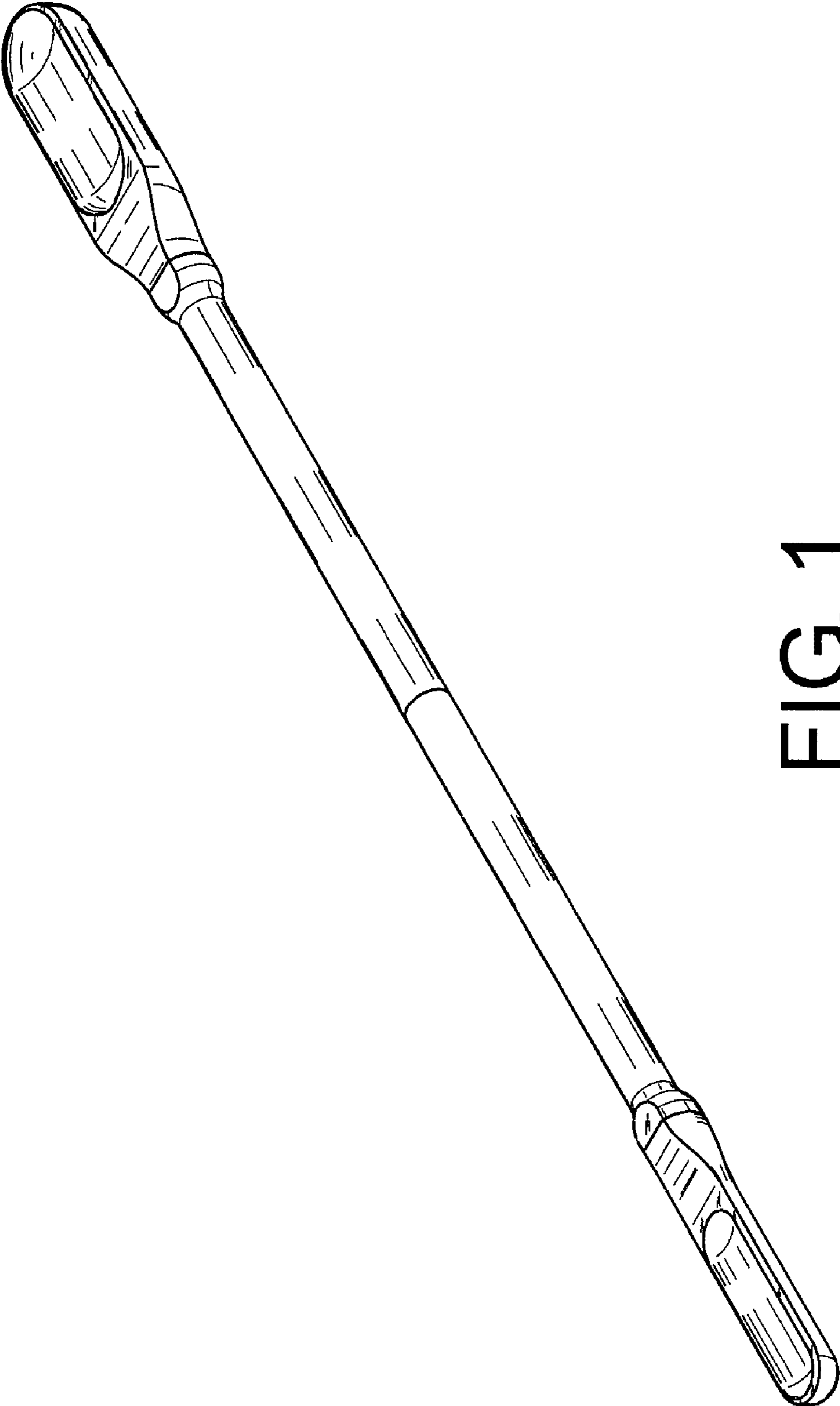


FIG. 1

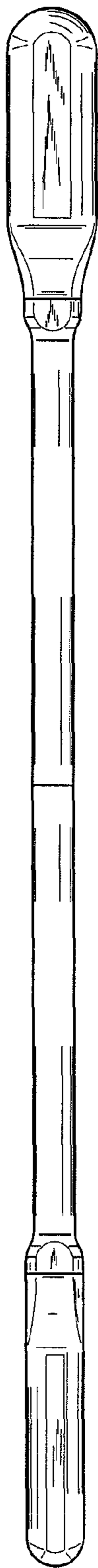


FIG. 2

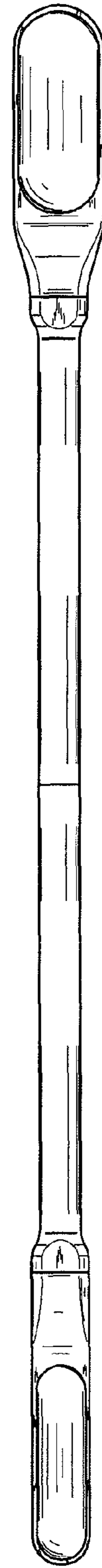


FIG. 3



FIG. 4

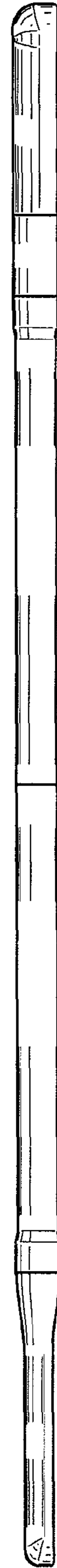


FIG. 5

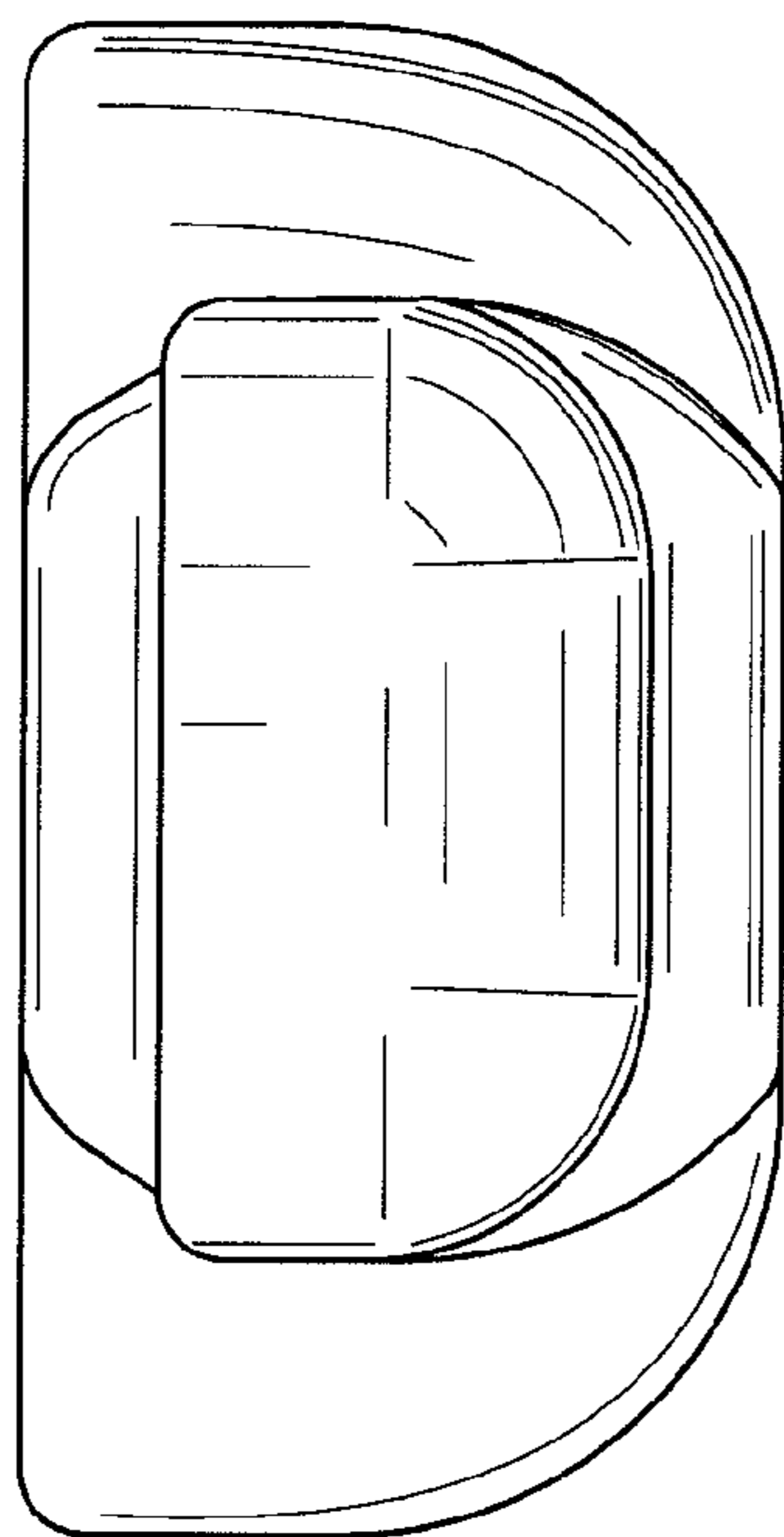


FIG. 7

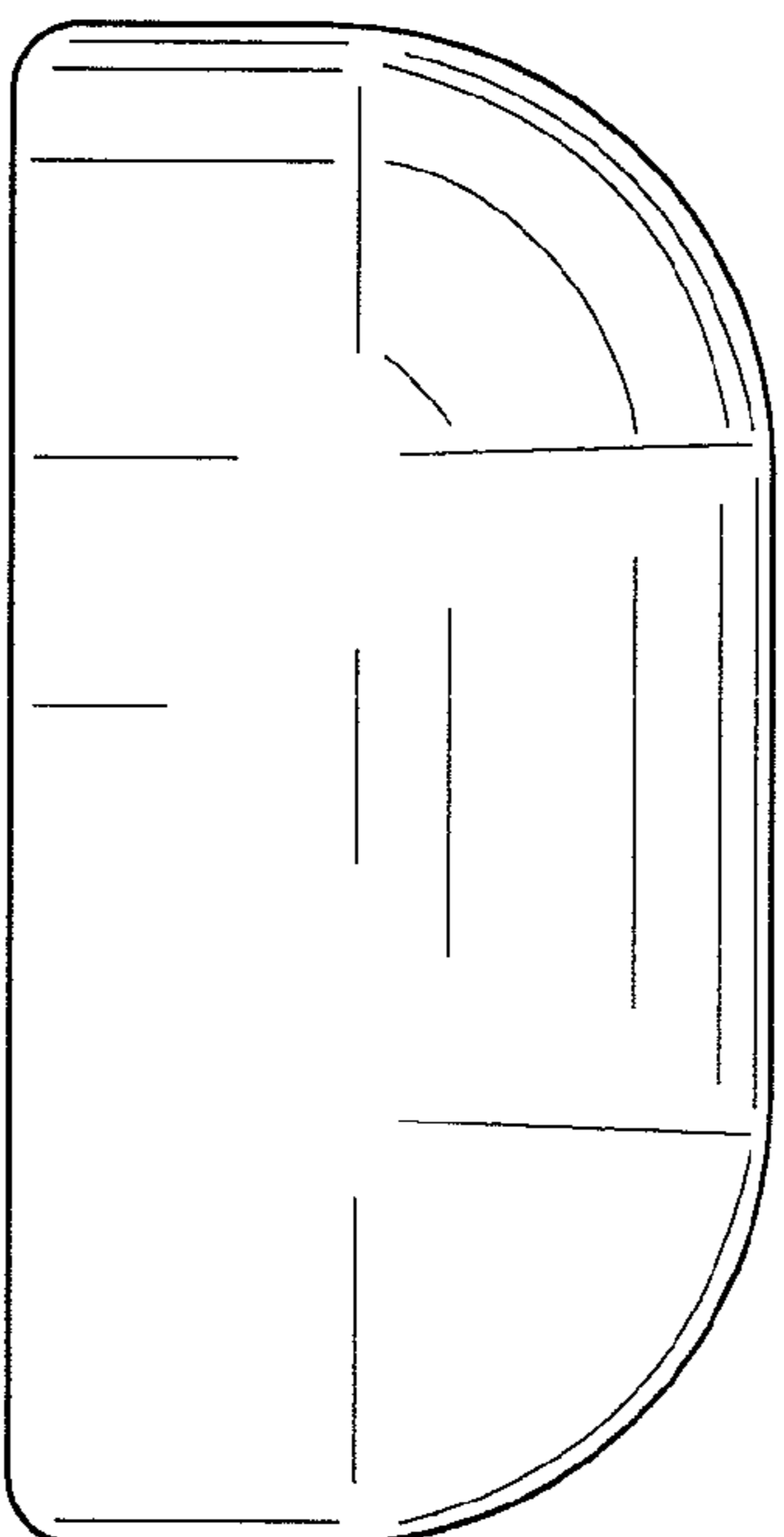


FIG. 6

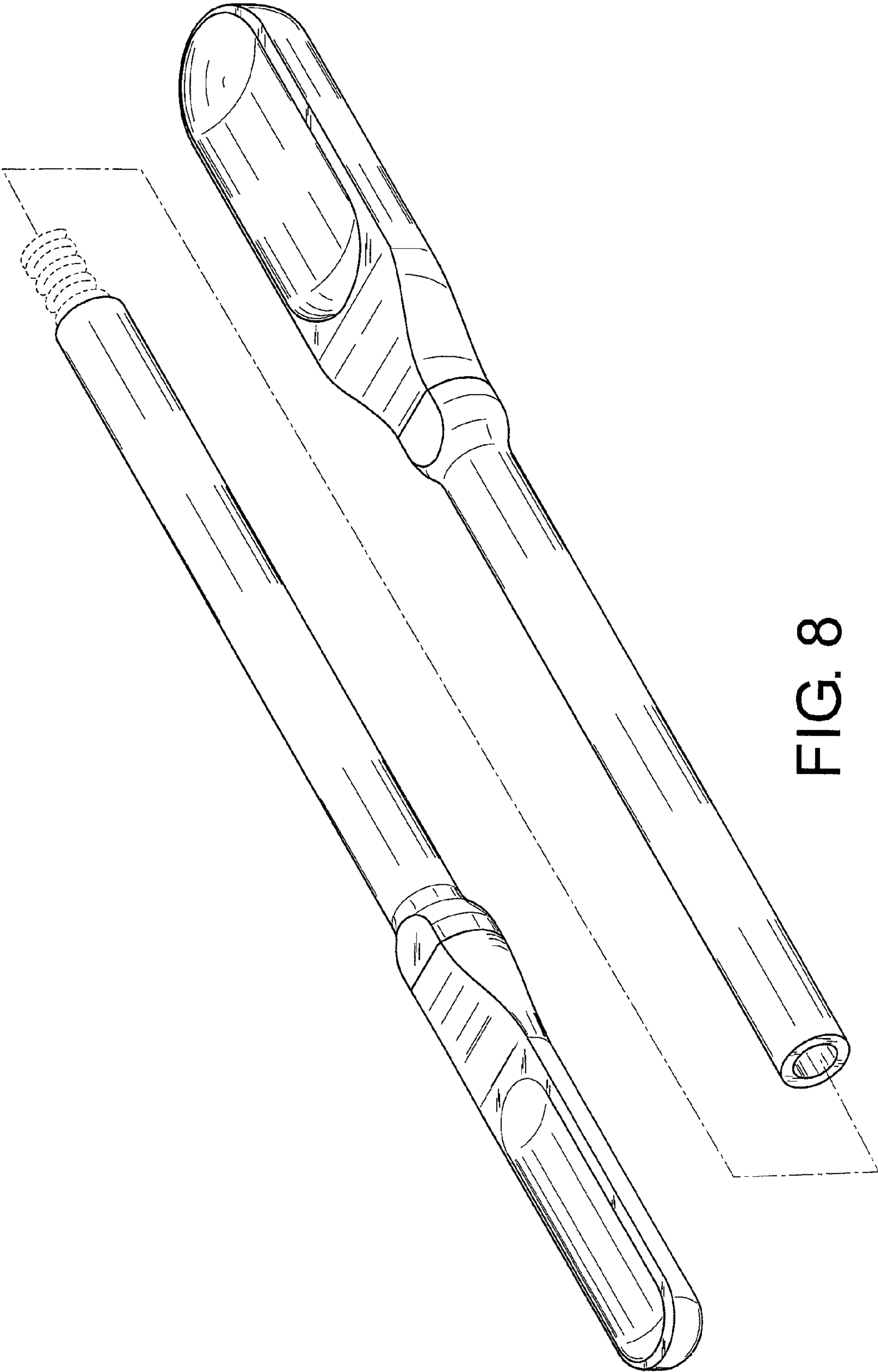


FIG. 8