



US00D631302S

(12) **United States Design Patent**
Sperrazza

(10) **Patent No.:** **US D631,302 S**

(45) **Date of Patent:** **** Jan. 25, 2011**

(54) **STACKABLE CONTAINER**

6,550,630 B1 * 4/2003 Krupa 220/575

(76) **Inventor:** **Steven Sperrazza**, 5 Fox Hill La.,
Stonybrook, NY (US) 11790

* cited by examiner

Primary Examiner—Terry A Wallace

(74) *Attorney, Agent, or Firm*—Ostrolenk Faber LLP

(**) **Term:** **14 Years**

(21) **Appl. No.:** **29/364,098**

(57) **CLAIM**

(22) **Filed:** **Jun. 18, 2010**

The ornamental design for a stackable container, as shown and described.

Related U.S. Application Data

DESCRIPTION

(60) Division of application No. 29/343,417, filed on Sep. 11, 2009, now Pat. No. Des. 620,321, which is a continuation of application No. 11/595,259, filed on Nov. 9, 2006, now abandoned.

FIG. 1 is a front elevation view of a stackable container with a lid thereon showing my new design, the right side elevation view, left side elevation view and rear elevation view being identical thereto;

(51) **LOC (9) Cl.** **07-07**

FIG. 2 is a front elevation view of the stackable container with the lid removed, the right side elevation view, left side elevation view and rear elevation view being identical thereto;

(52) **U.S. Cl.** **D7/629**

(58) **Field of Classification Search** D7/602,
D7/629, 612–615, 538–542; 220/4.27, 574–575,
220/23.86, 506, 213, 508, 23.8, 556, 781;
206/514, 515, 504, 508, 561, 509, 506
See application file for complete search history.

FIG. 3 is a side view of the stackable container;

FIG. 4 is a top view of the stackable container;

FIG. 5 is a side view of the lid;

FIG. 6 is a bottom plan view of the lid;

(56) **References Cited**

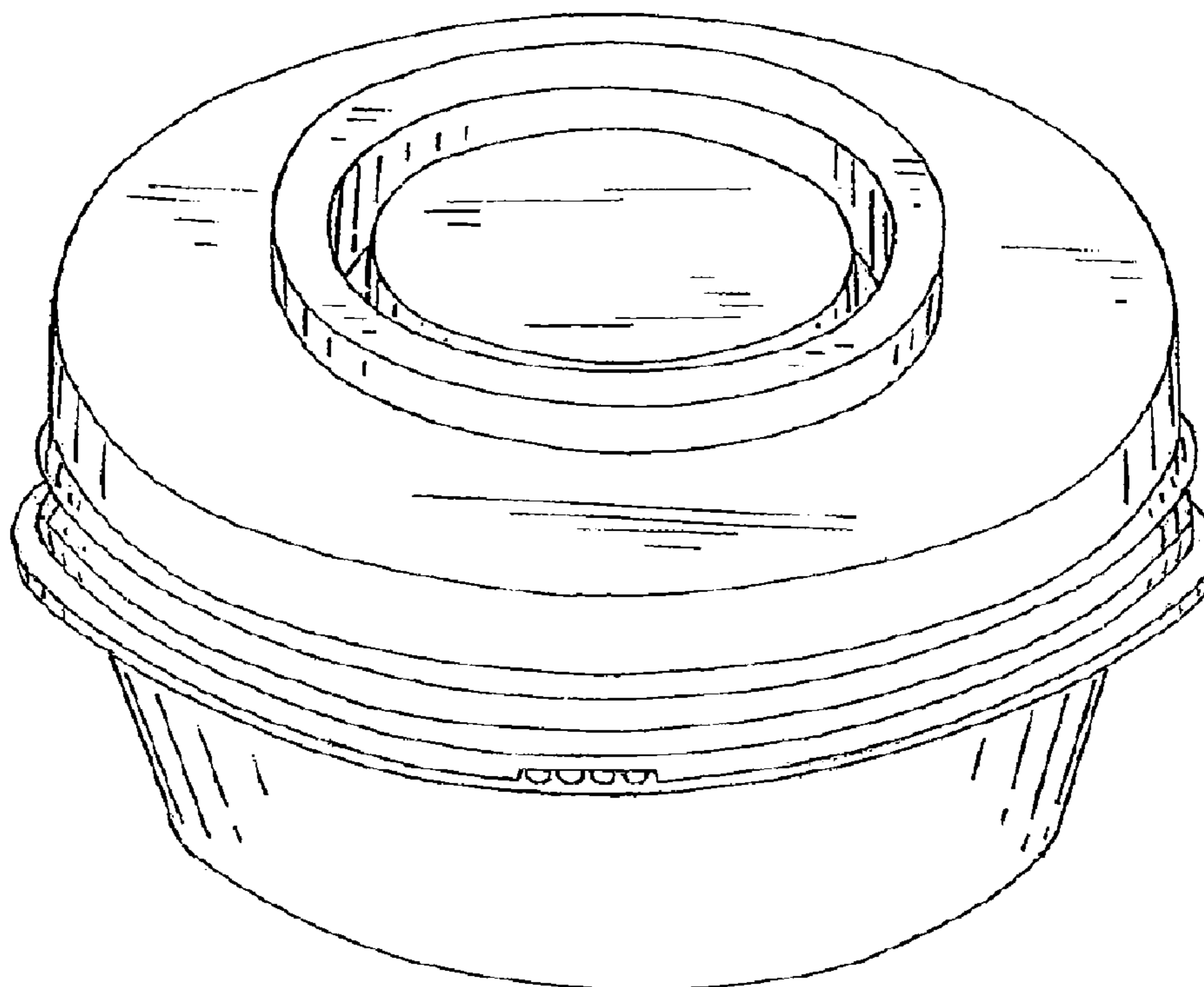
U.S. PATENT DOCUMENTS

2,678,143 A * 5/1954 Dillingham et al. 206/509
4,225,052 A * 9/1980 Tector et al. 220/506
4,848,579 A * 7/1989 Barnes et al. 206/508
6,237,765 B1 * 5/2001 Hagen et al. 220/756

FIG. 7 is a top plan view of the stackable container with the lid thereon; and,

FIG. 8 is a cross sectional view of the stackable container taken along line 8—8 of FIG. 7.

1 Claim, 5 Drawing Sheets



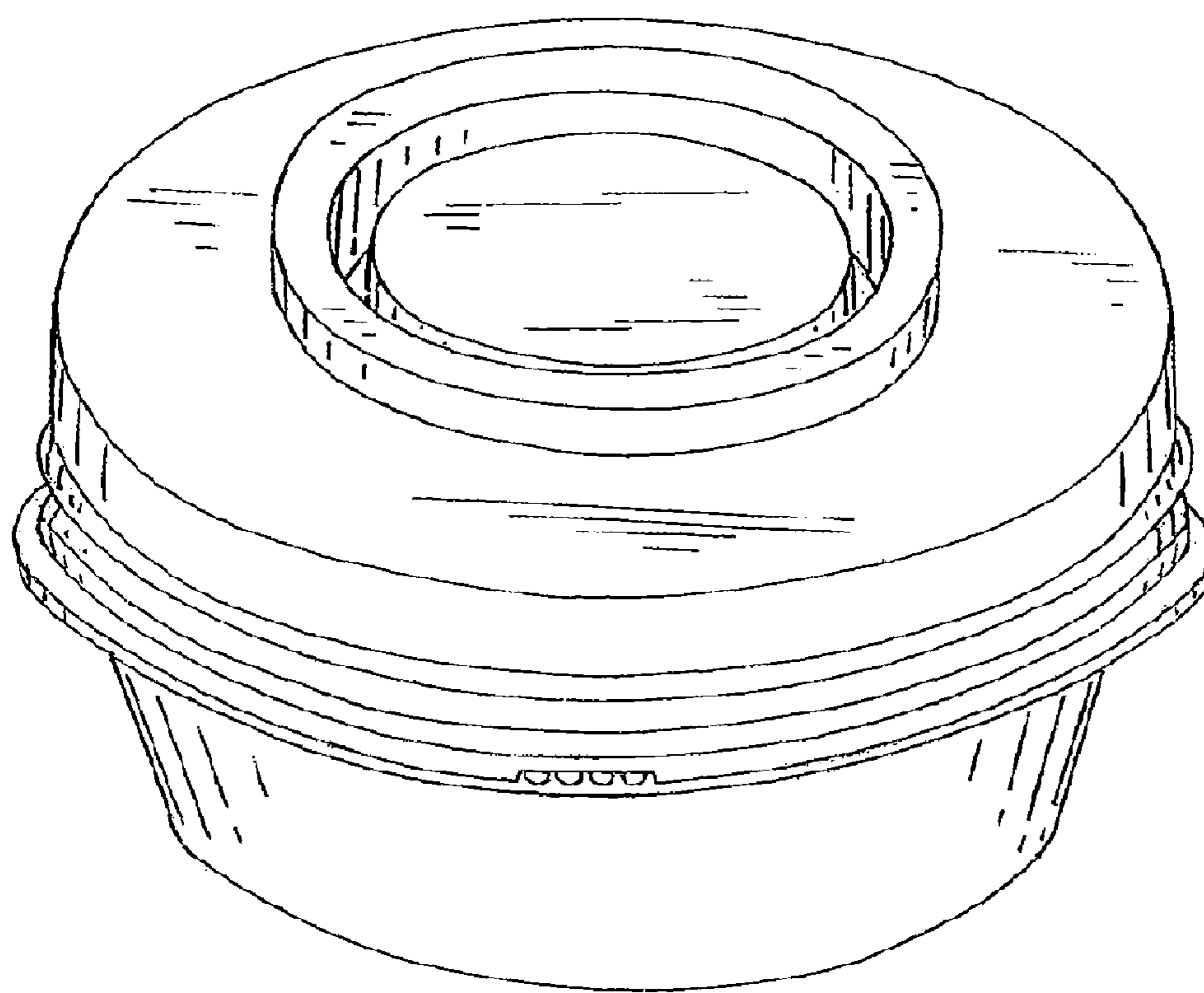


Fig. 1

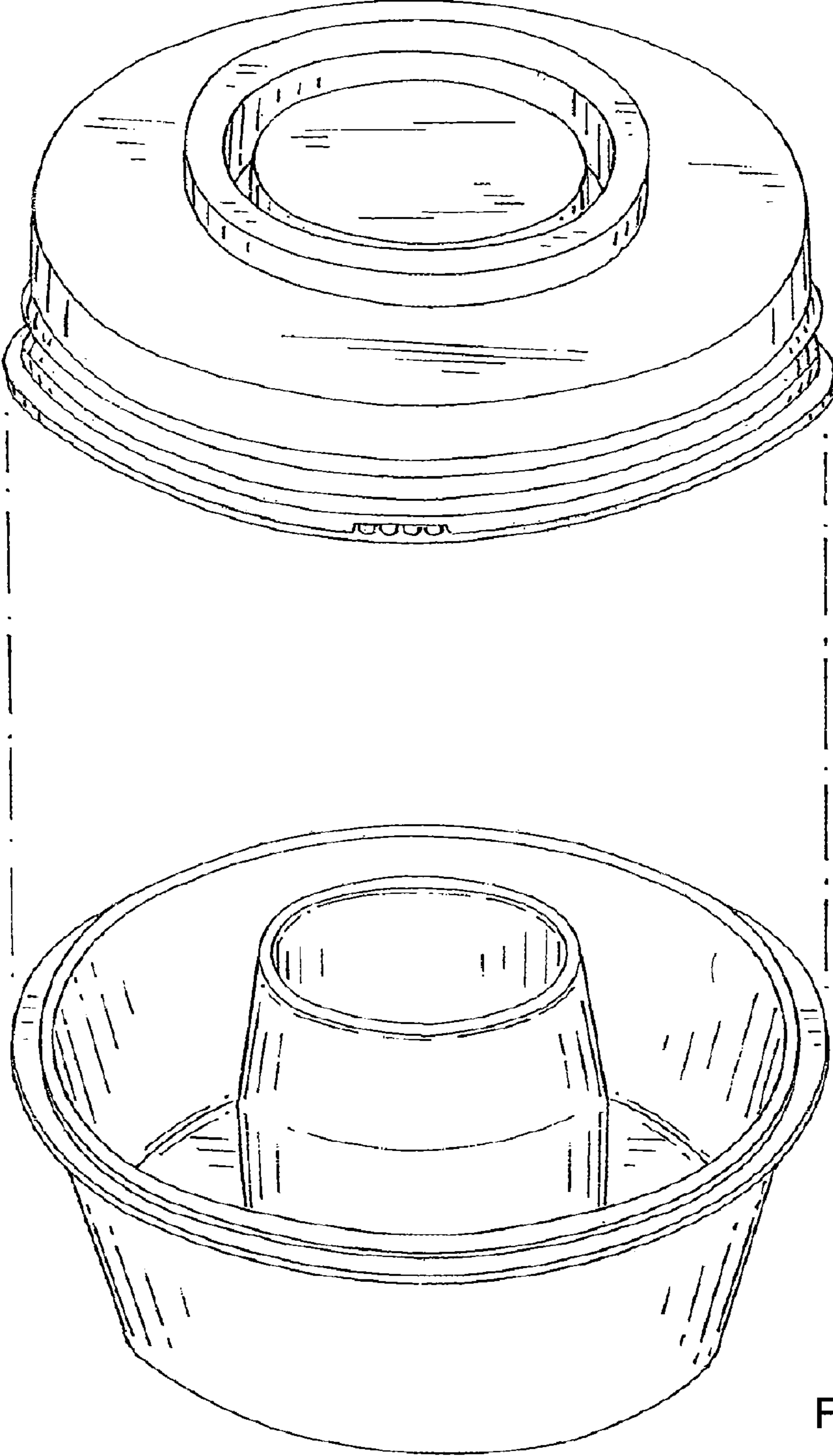


Fig. 2

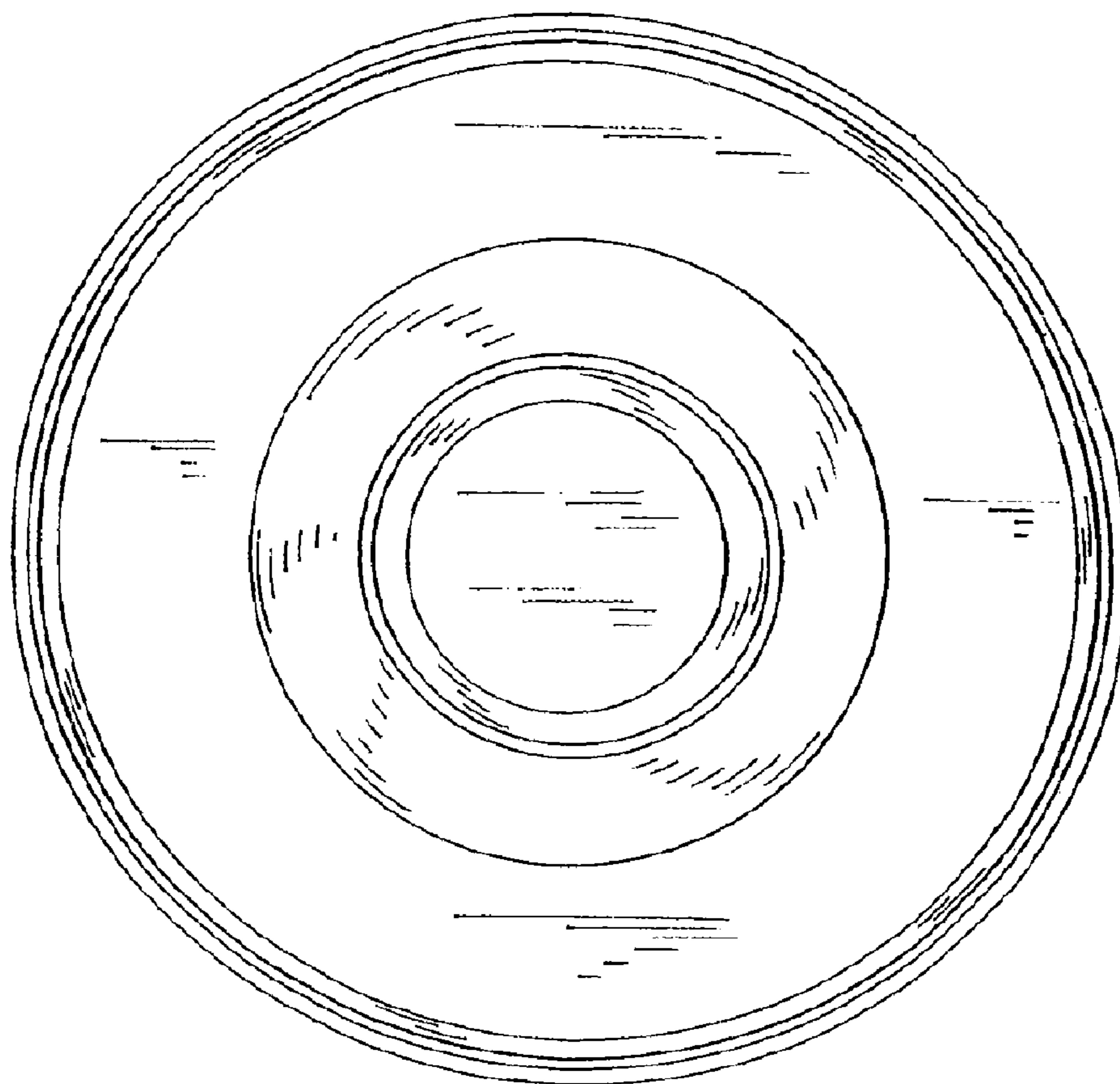


Fig. 3

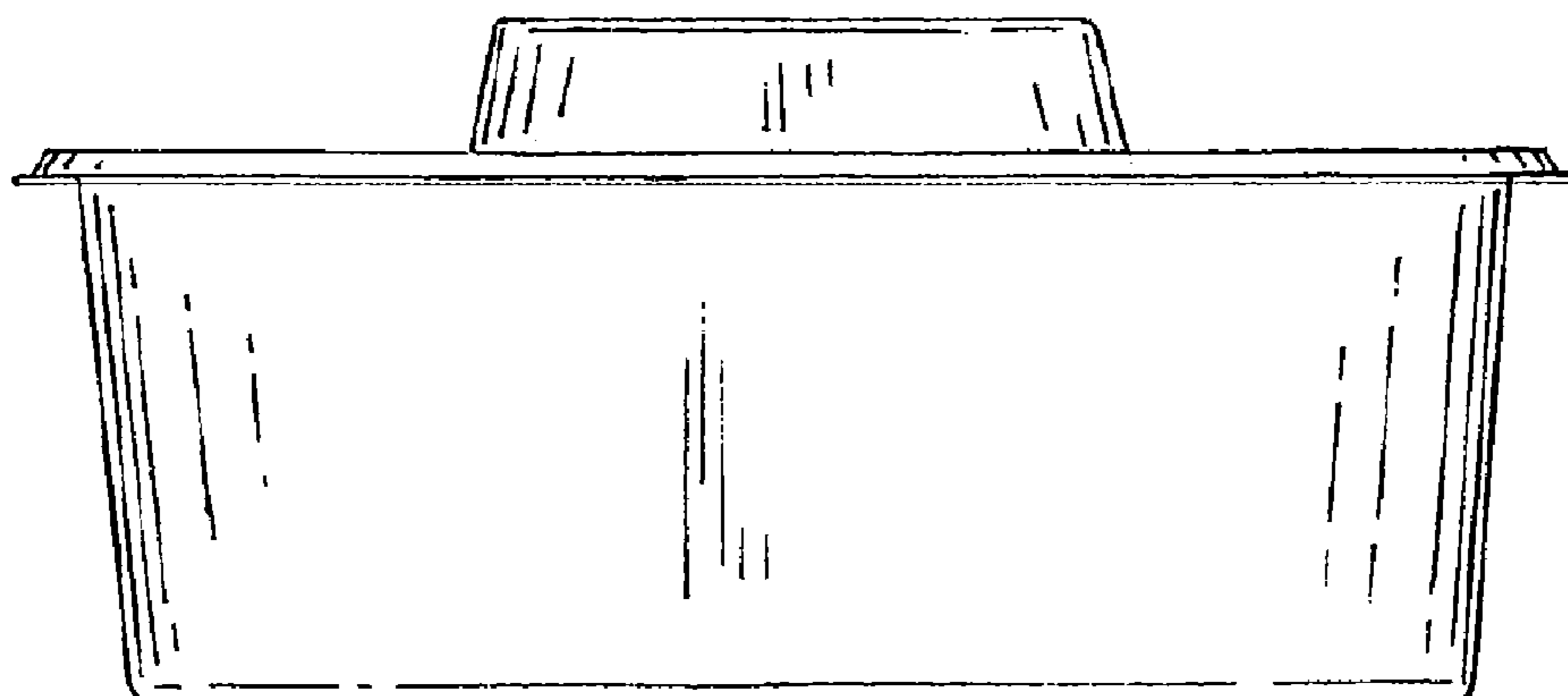


Fig. 4

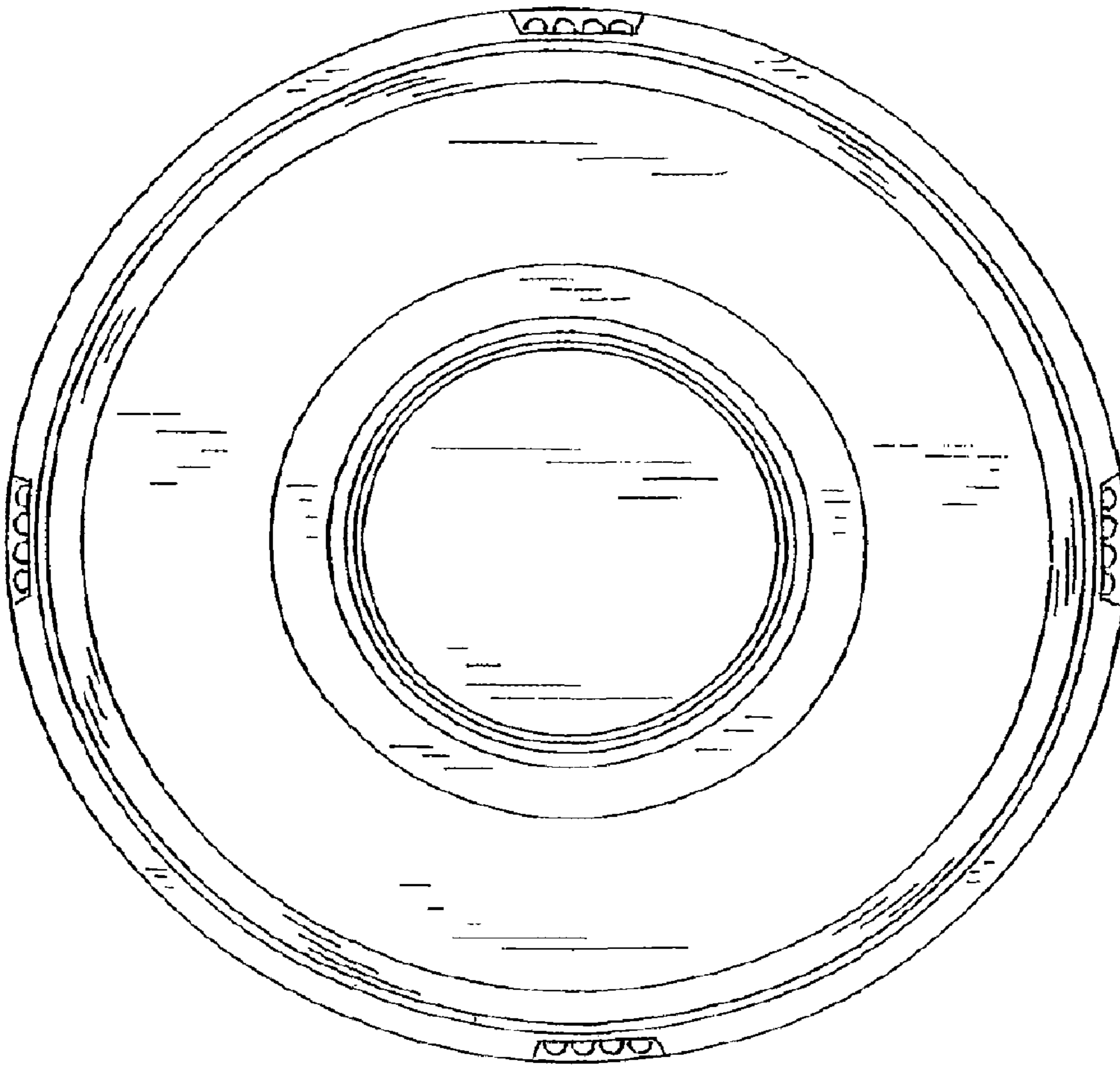


Fig. 6

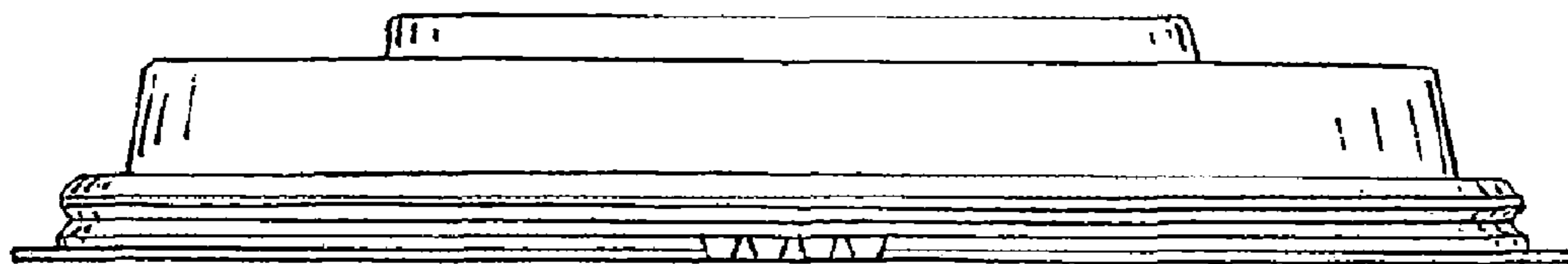


Fig. 5

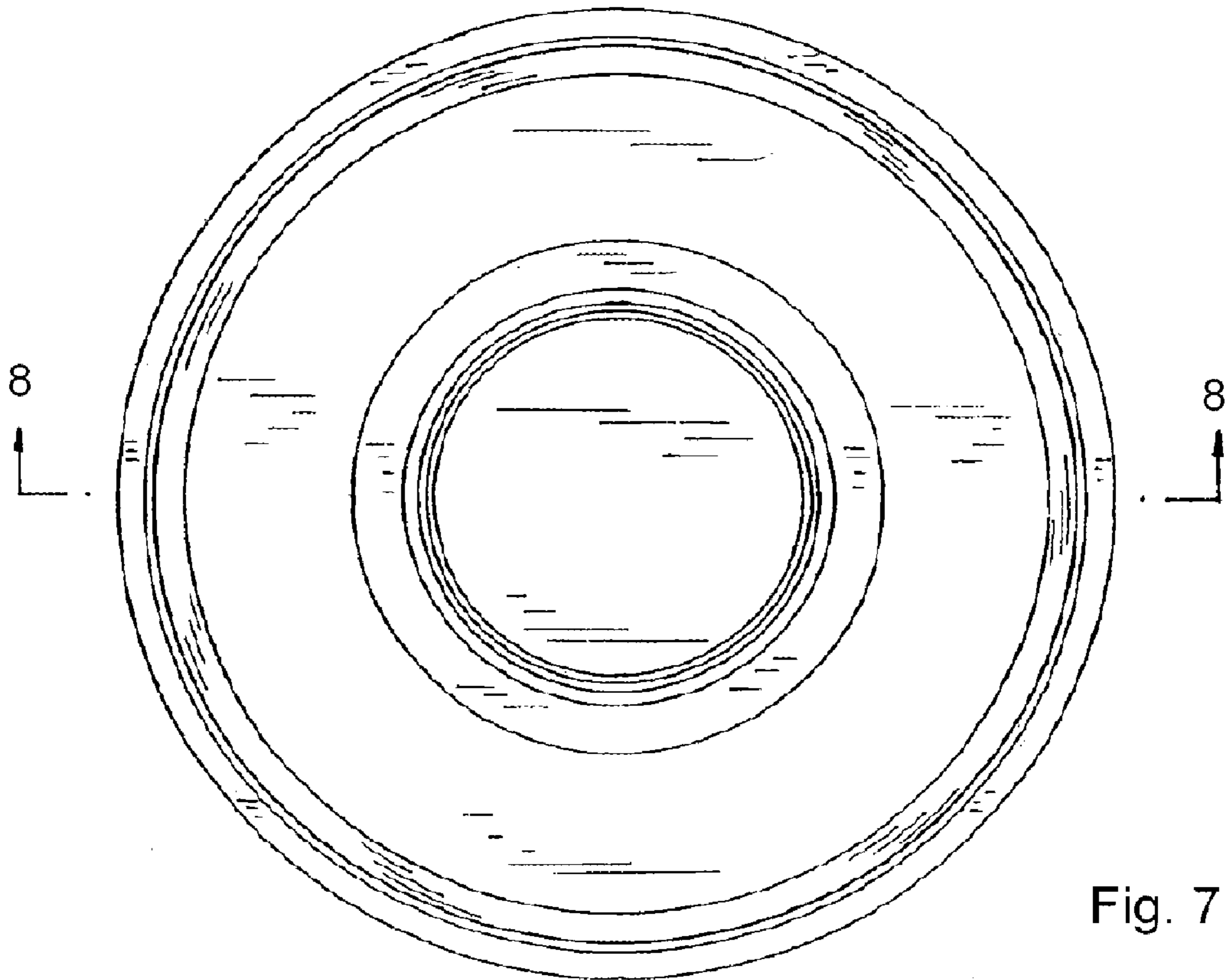


Fig. 7

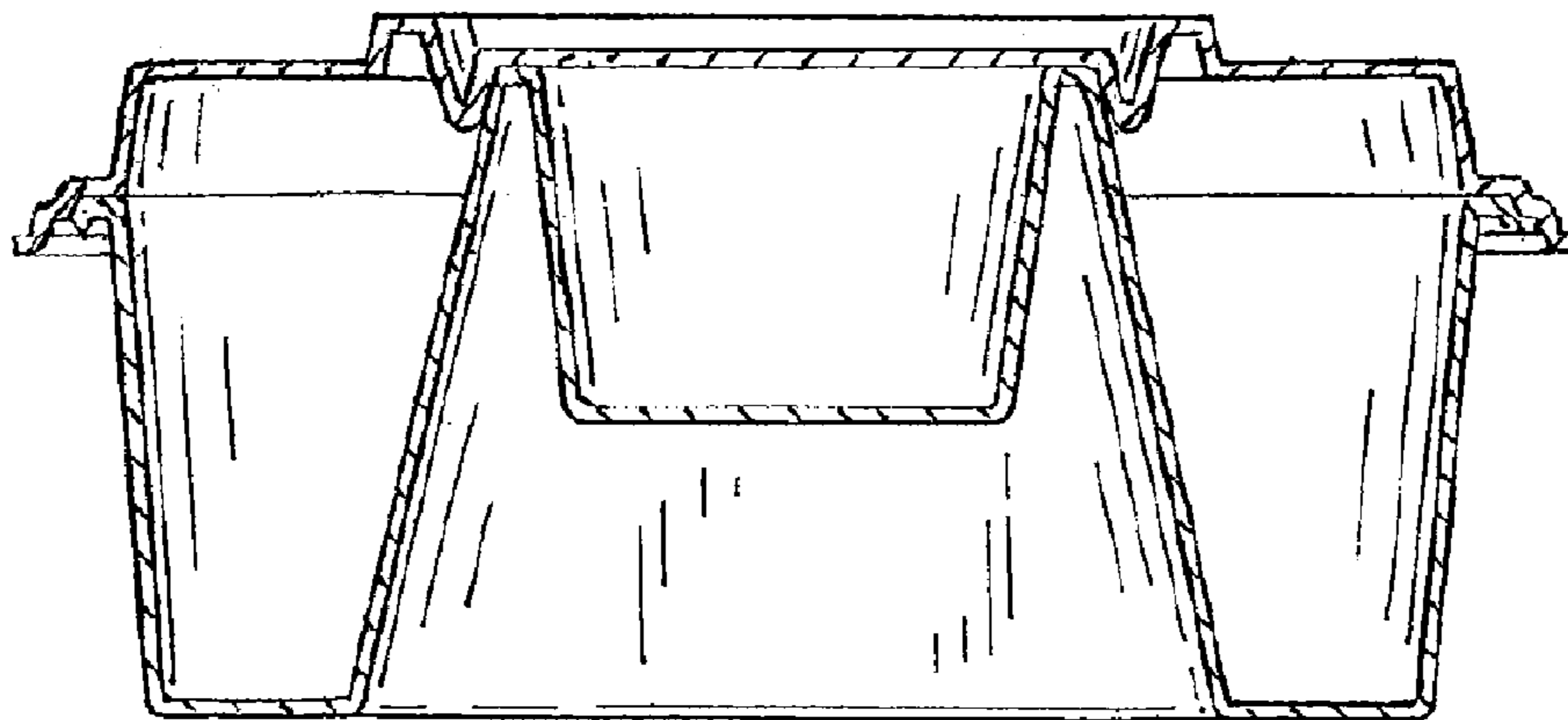


Fig. 8