



US00D631301S

(12) **United States Design Patent**
Goodman et al.

(10) **Patent No.:** **US D631,301 S**
(45) **Date of Patent:** **** Jan. 25, 2011**

(54) **BOWL OR BASKET FOR FOOD**

(75) Inventors: **Sheldon H. Goodman**, Solon, OH (US);
Omer I. Sazir, Cleveland, OH (US)

(73) Assignee: **Spectrum Diversified Designs, Inc.**,
Streetsboro, OH (US)

(**) Term: **14 Years**

(21) Appl. No.: **29/363,916**

(22) Filed: **Jun. 16, 2010**

(51) **LOC (9) Cl.** **07-01**

(52) **U.S. Cl.** **D7/602**

(58) **Field of Classification Search** D7/543,
D7/545, 548, 584, 586–587, 601–602, 630,
D7/704; D6/458, 462, 566; D3/304, 306–307,
D3/312, 314; D11/143, 148, 152; 220/574;
211/13.1, 85.31, 181.1

See application file for complete search history.

(56) **References Cited**

U.S. PATENT DOCUMENTS

D311,666 S * 10/1990 Burke D8/1
D339,266 S * 9/1993 Lockett D7/409
D512,223 S * 12/2005 Snell D3/304
D520,700 S * 5/2006 Plikuhn D32/55
D526,454 S * 8/2006 Plikuhn D32/55
D536,873 S * 2/2007 Thorsteinsson et al. D3/306
D554,417 S * 11/2007 Thorsteinsson et al. D6/566
D567,030 S * 4/2008 Goodman et al. D7/601

D569,691 S * 5/2008 Goodman et al. D7/601
D620,711 S * 8/2010 Hertaus D3/306

* cited by examiner

Primary Examiner—Ian Simmons

Assistant Examiner—Dana L Sipos

(74) *Attorney, Agent, or Firm*—Pearne & Gordon LLP

(57) **CLAIM**

The ornamental design for a bowl or basket for food, as shown and described.

DESCRIPTION

FIG. 1 is a perspective view of a bowl or basket for food showing our new design;

FIG. 2 is a top plan view thereof;

FIG. 3 is a front elevation view thereof;

FIG. 4 is a side elevation view thereof;

FIG. 5 is a bottom plan view thereof;

FIG. 6 is a perspective view of a second embodiment of our new design for a bowl or basket for food;

FIG. 7 is a top plan view thereof;

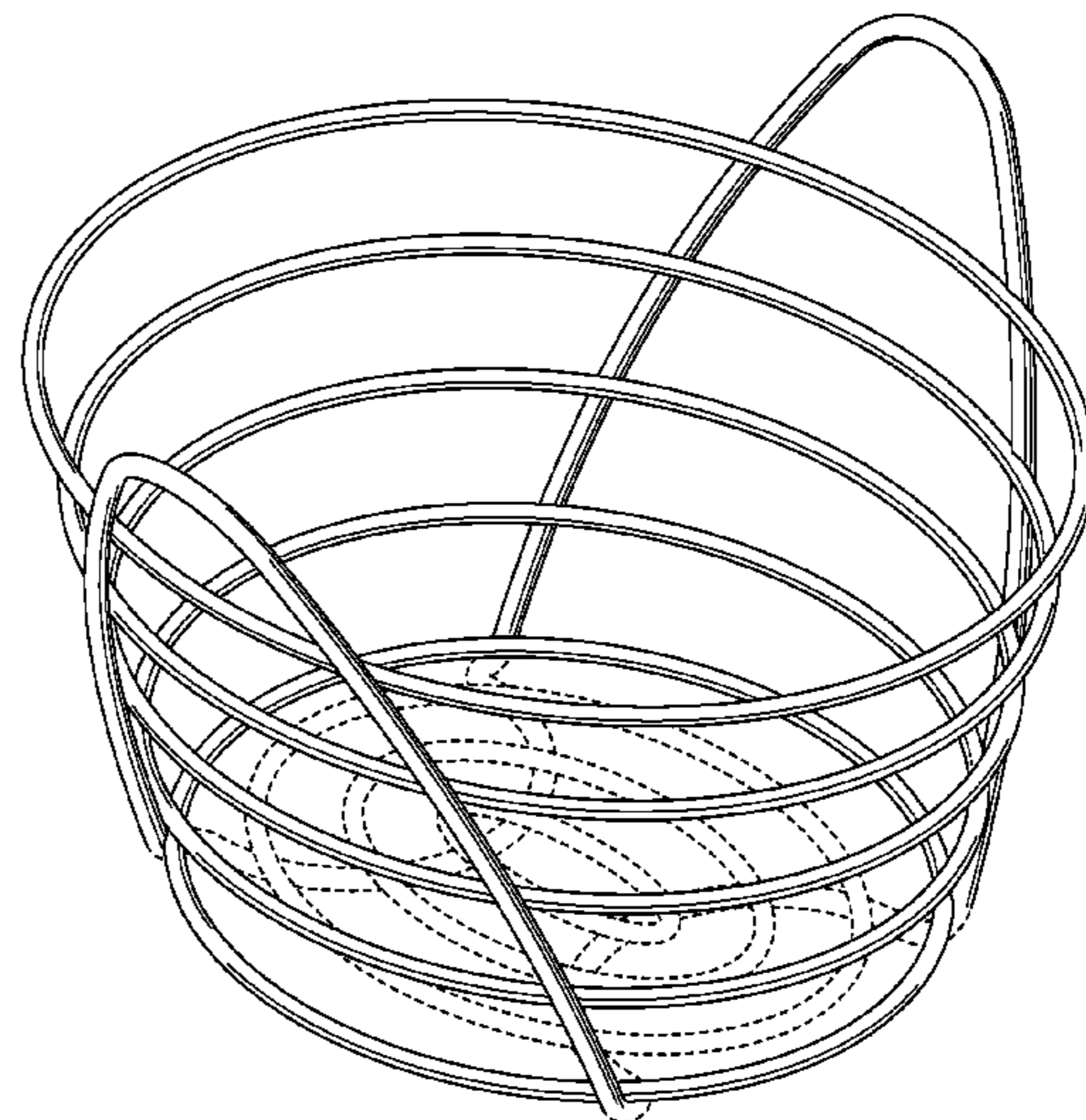
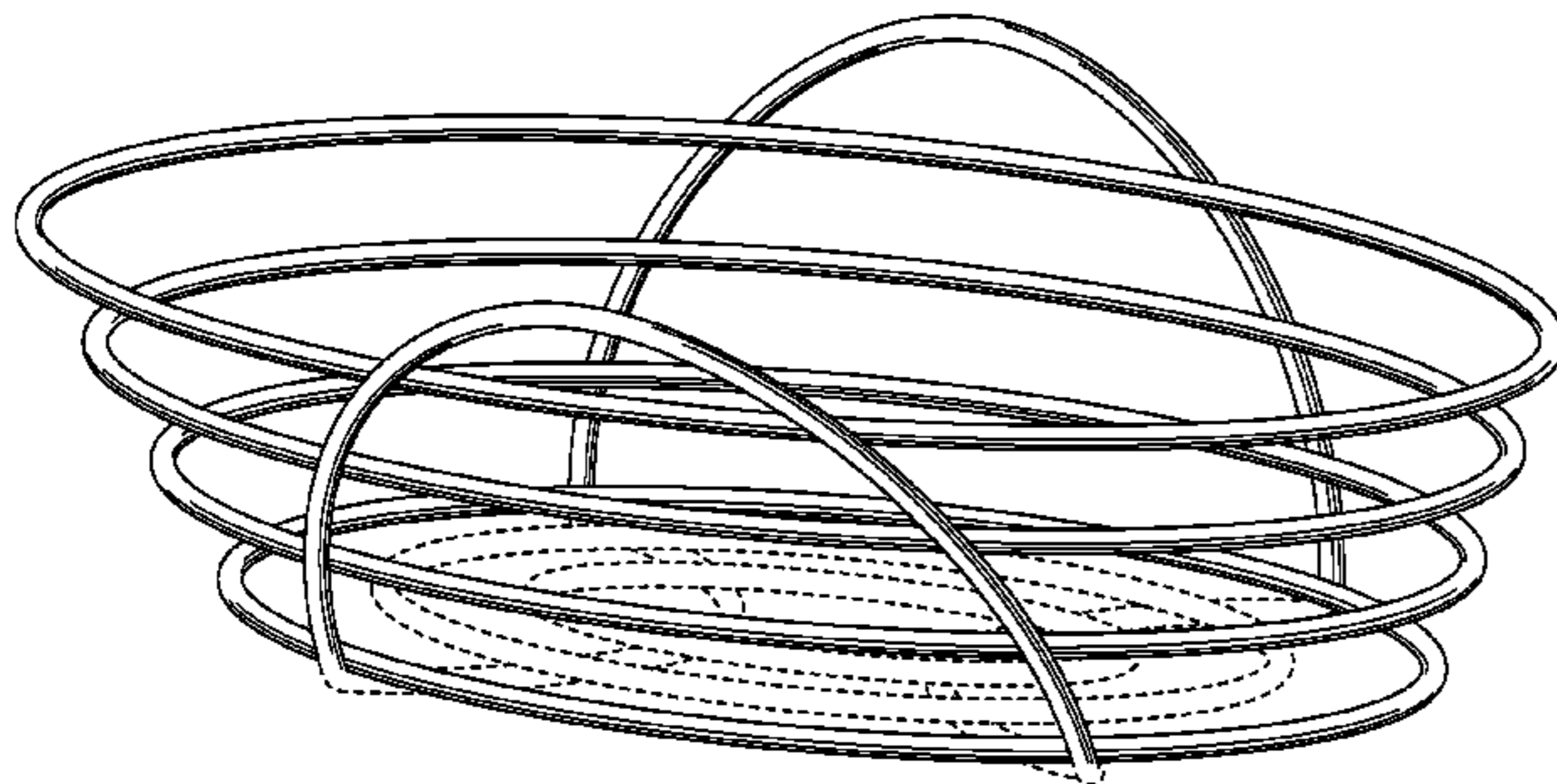
FIG. 8 is a front elevation view thereof;

FIG. 9 is a side elevation view thereof; and,

FIG. 10 is a bottom plan view thereof.

The dotted-line showing in the drawings illustrates environmental matter and forms no part of the claimed design.

1 Claim, 4 Drawing Sheets



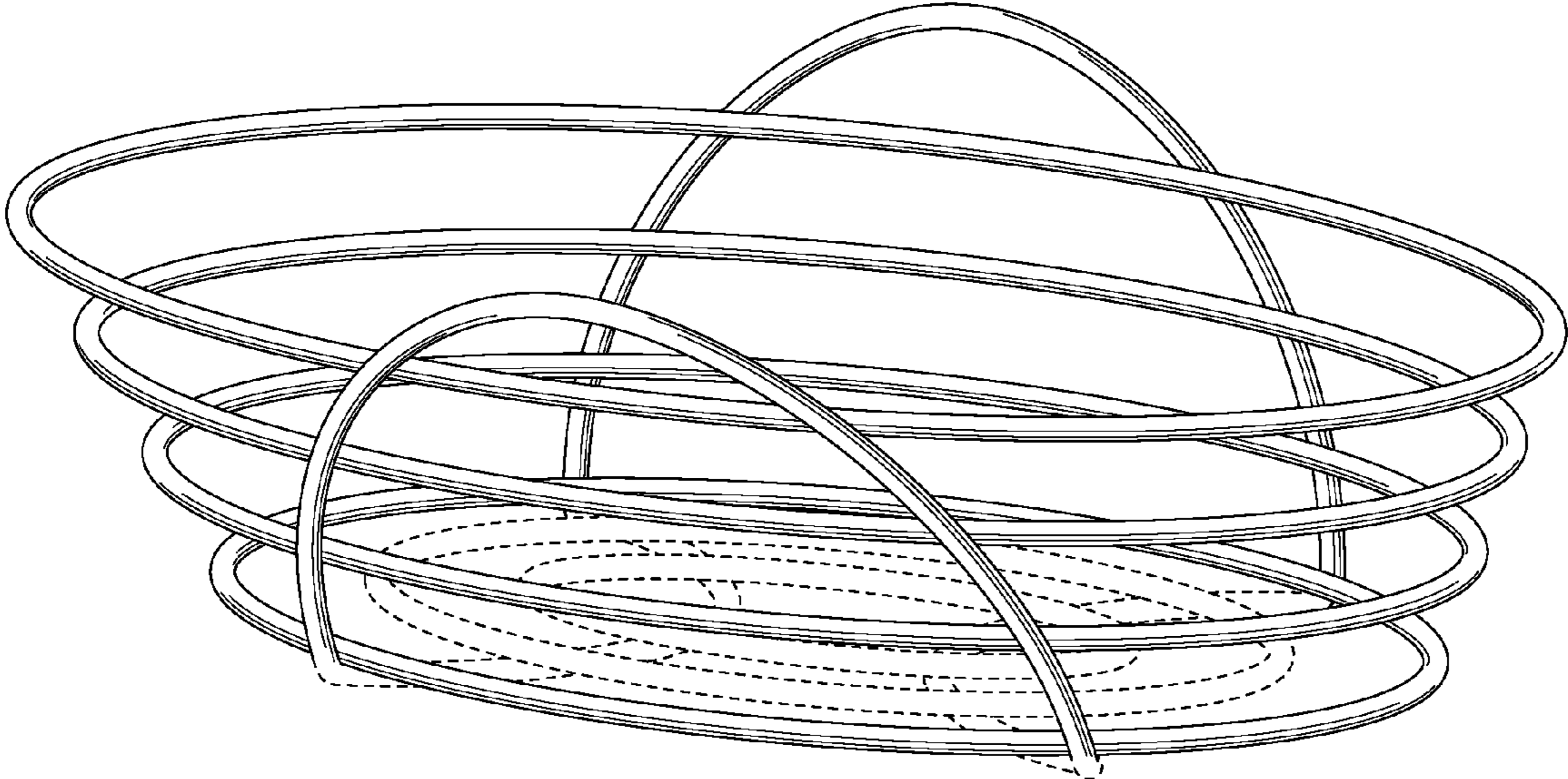


FIG. 1

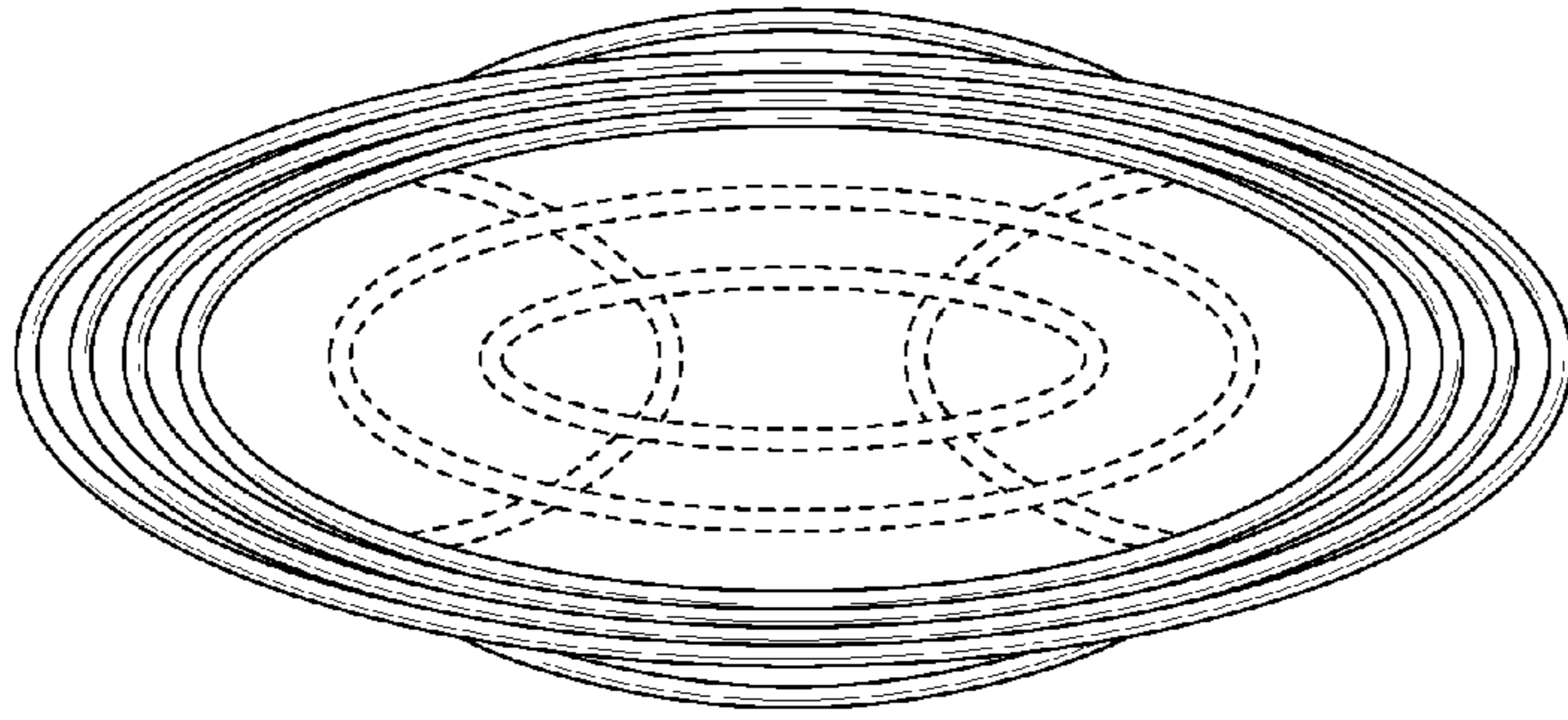


FIG. 2

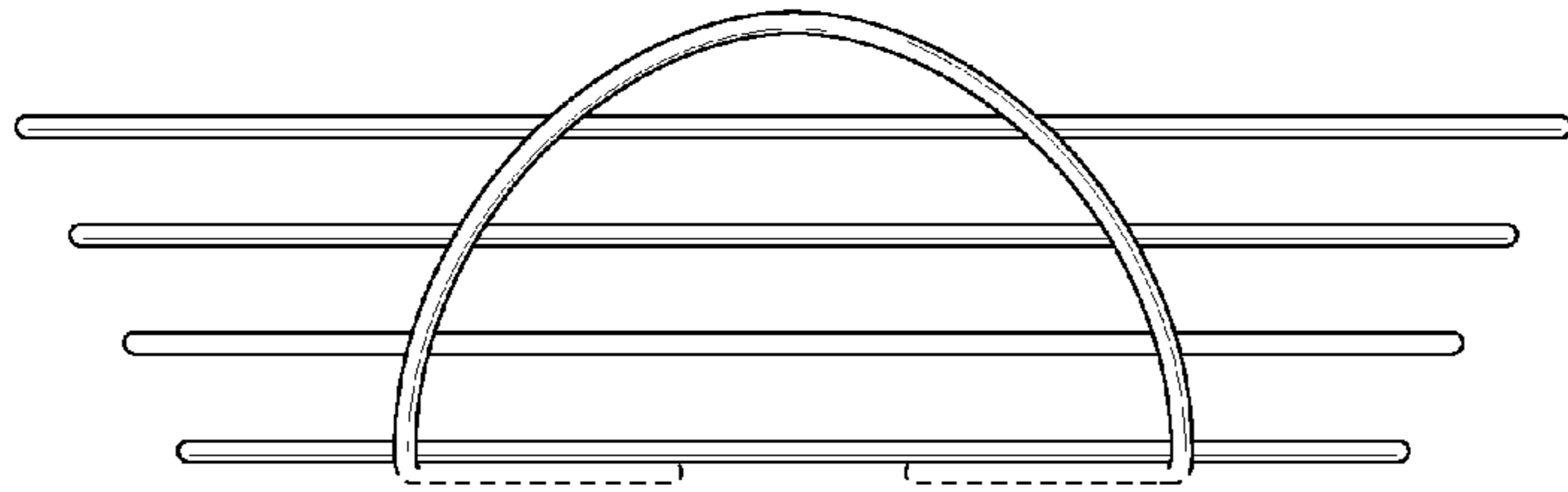


FIG. 3

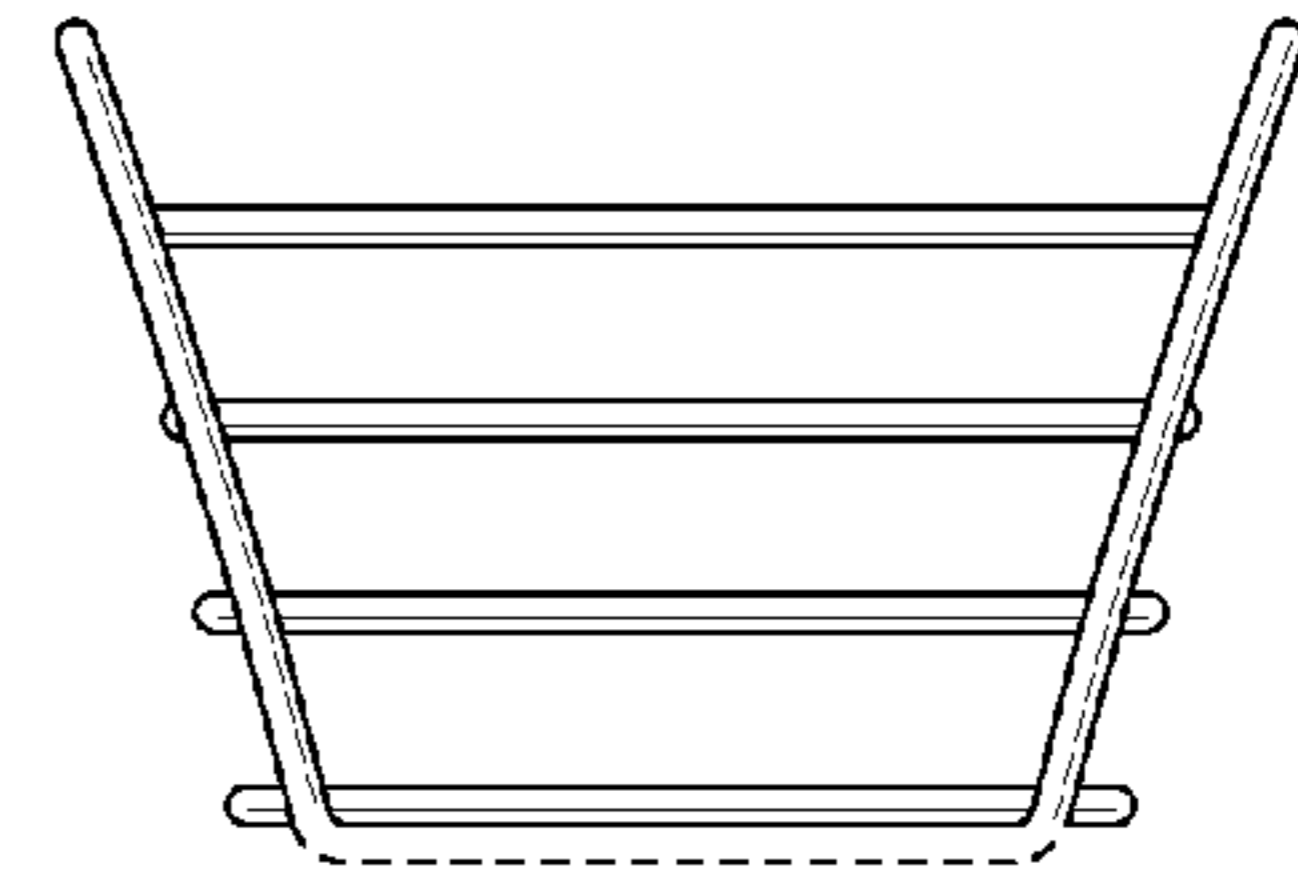


FIG. 4

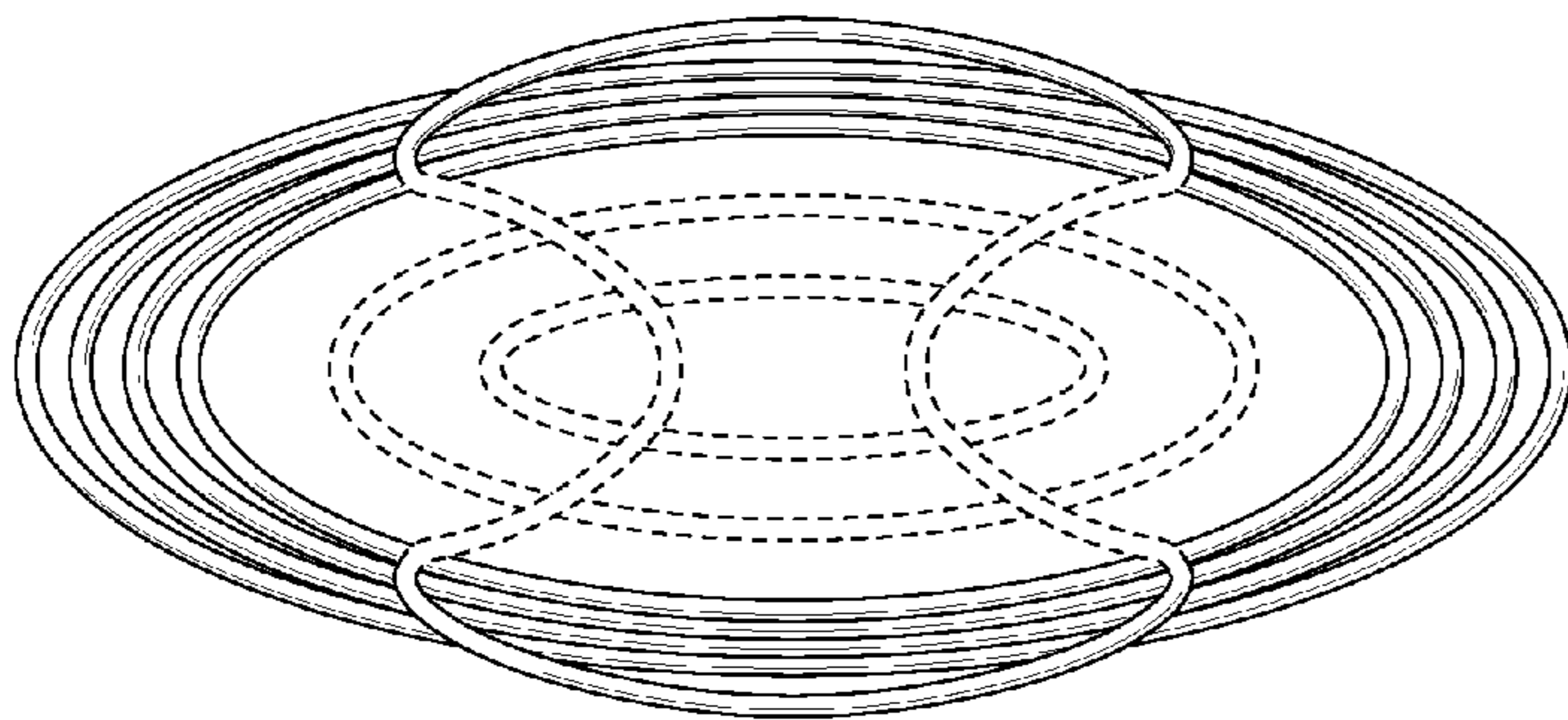


FIG. 5

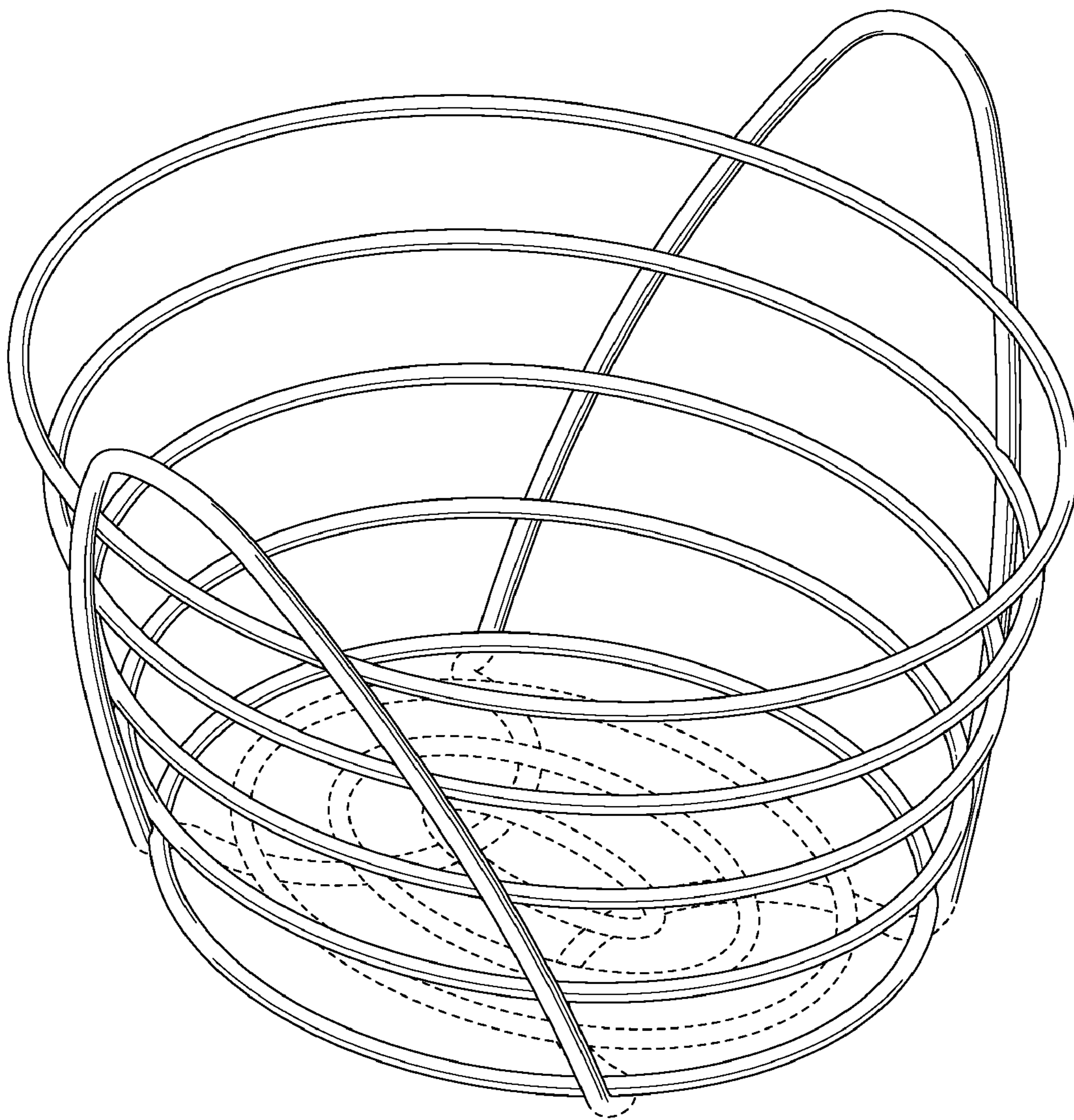


FIG. 6

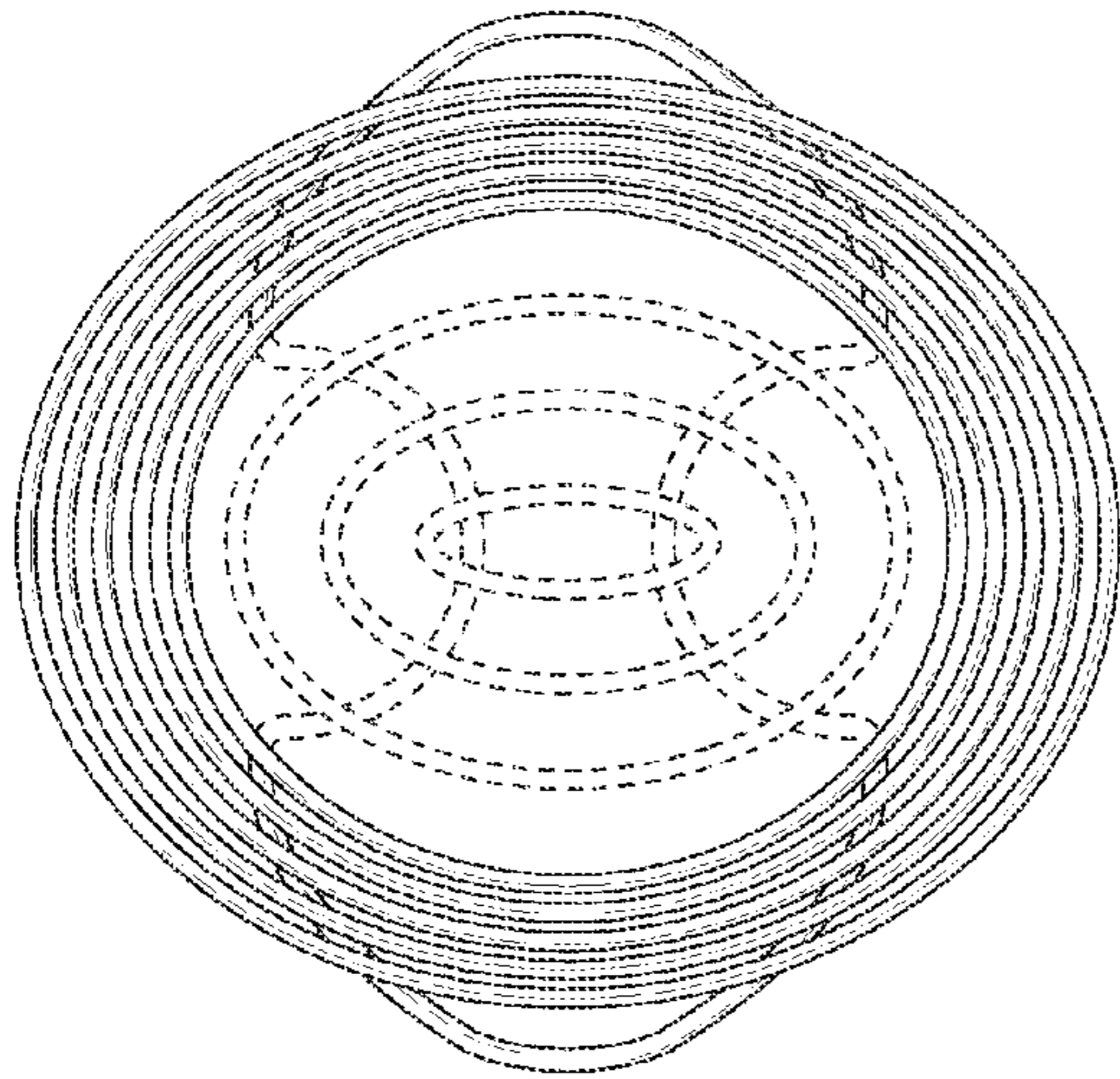


FIG. 7

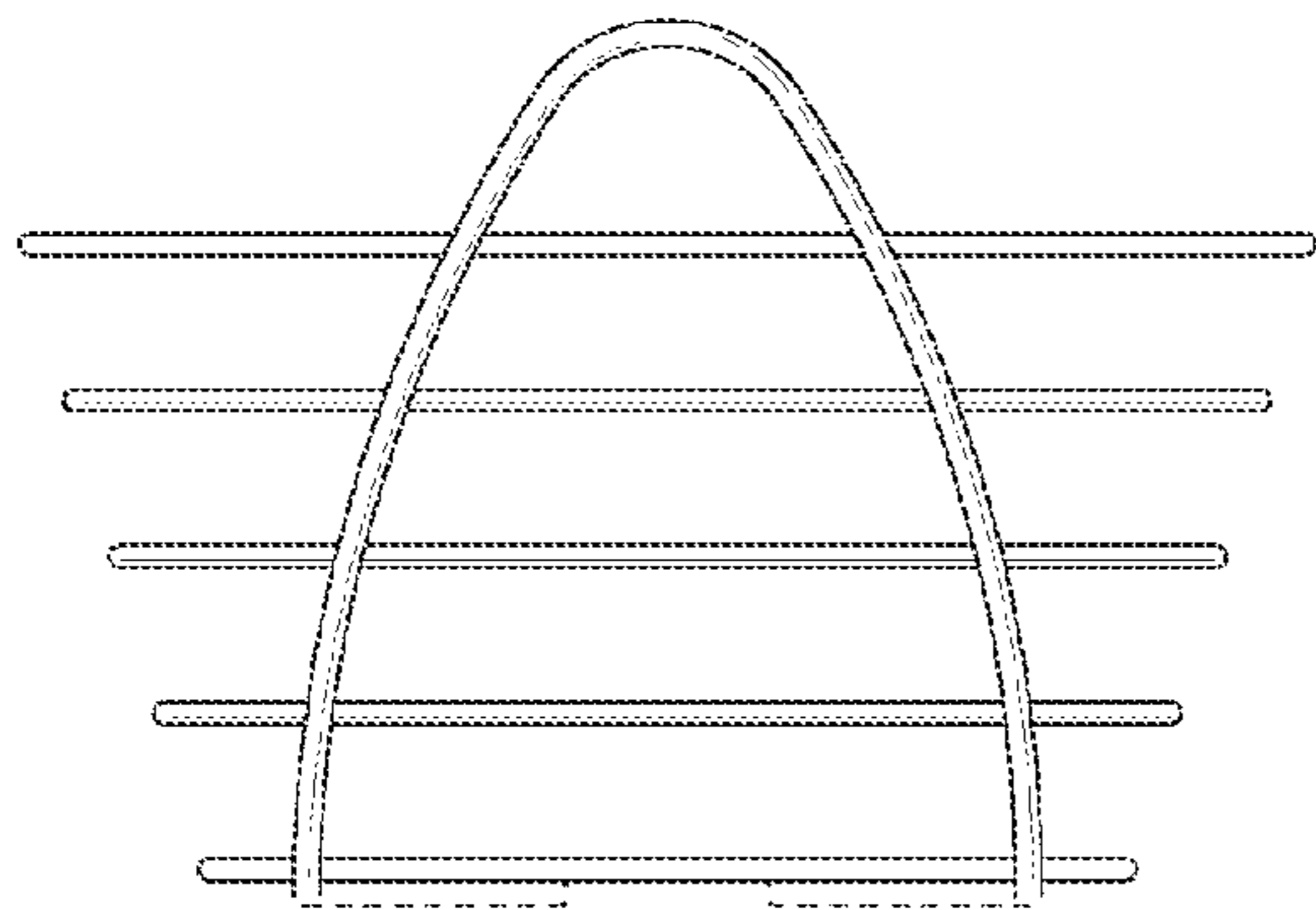


FIG. 8

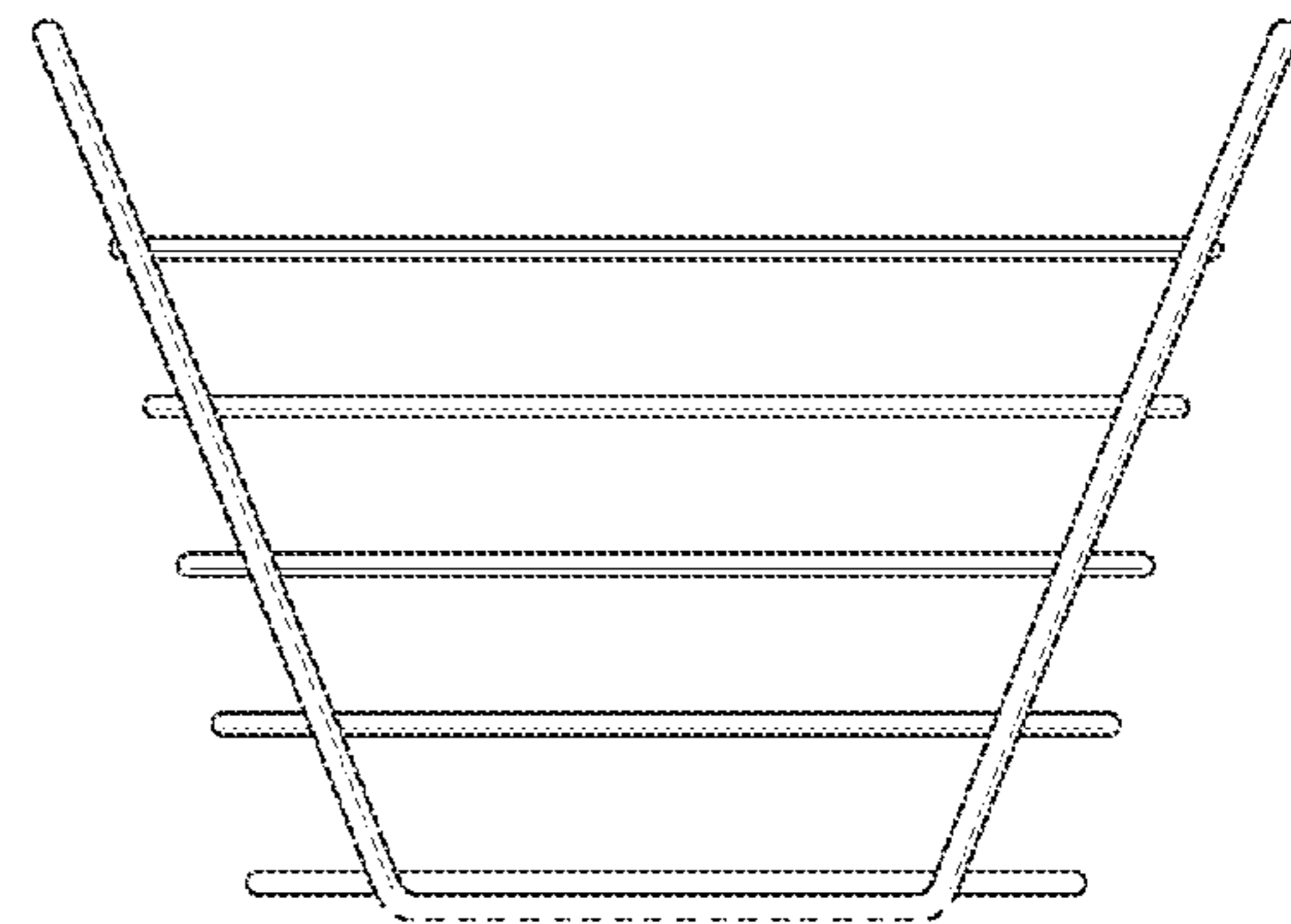


FIG. 9

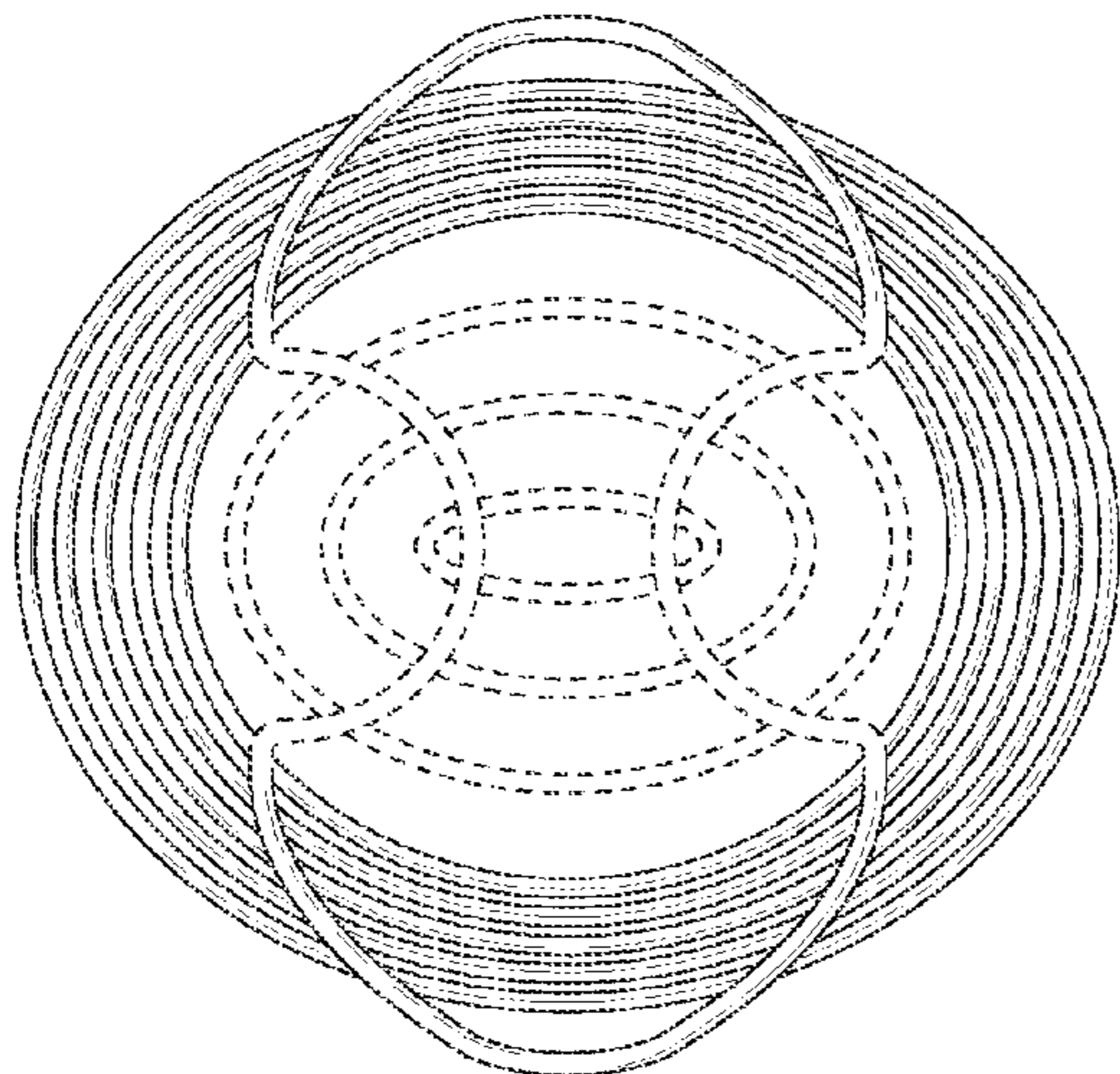


FIG. 10