



US00D631292S

(12) **United States Design Patent**
Bodum

(10) **Patent No.:** **US D631,292 S**
(45) **Date of Patent:** **** Jan. 25, 2011**

(54) **KNIFE**

(74) *Attorney, Agent, or Firm*—Sughrue Mion, PLLC

(75) Inventor: **Jorgen Bodum**, Meggen (CH)

(57) **CLAIM**

(73) Assignee: **Pi-Design AG**, Triengen (CH)

The ornamental design for a knife, as shown and described.

(**) Term: **14 Years**

(21) Appl. No.: **29/364,853**

DESCRIPTION

(22) Filed: **Jun. 29, 2010**

(30) **Foreign Application Priority Data**

Dec. 30, 2009 (WO) 527 156 101
Apr. 1, 2010 (WO) 542 001 301

(51) **LOC (9) Cl.** **07-02**

(52) **U.S. Cl.** **D7/401.2; D7/649**

(58) **Field of Classification Search** D7/368,
D7/387, 393–395, 401.2, 642–654, 669, 675–676,
D7/688–696; D8/20, 97–99, 102, 107, 300,
D8/303, 321; D22/117–118; D24/133, 147;
D32/52; 16/110.1, 407, 430, DIG. 18; 30/136,
30/142–150, 329, 340–346, 355
See application file for complete search history.

(56) **References Cited**

U.S. PATENT DOCUMENTS

D446,689 S * 8/2001 Van Leeuwen D7/649
D456,667 S * 5/2002 Veltri et al. D7/387
D458,516 S * 6/2002 Parlowski D7/649
D463,952 S * 10/2002 Zemel D7/393
D469,327 S * 1/2003 Chen D8/107
D480,189 S * 9/2003 Libman et al. D32/52
D563,160 S * 3/2008 Schmidt D7/395
D567,033 S * 4/2008 Seidenfaden D7/649

(Continued)

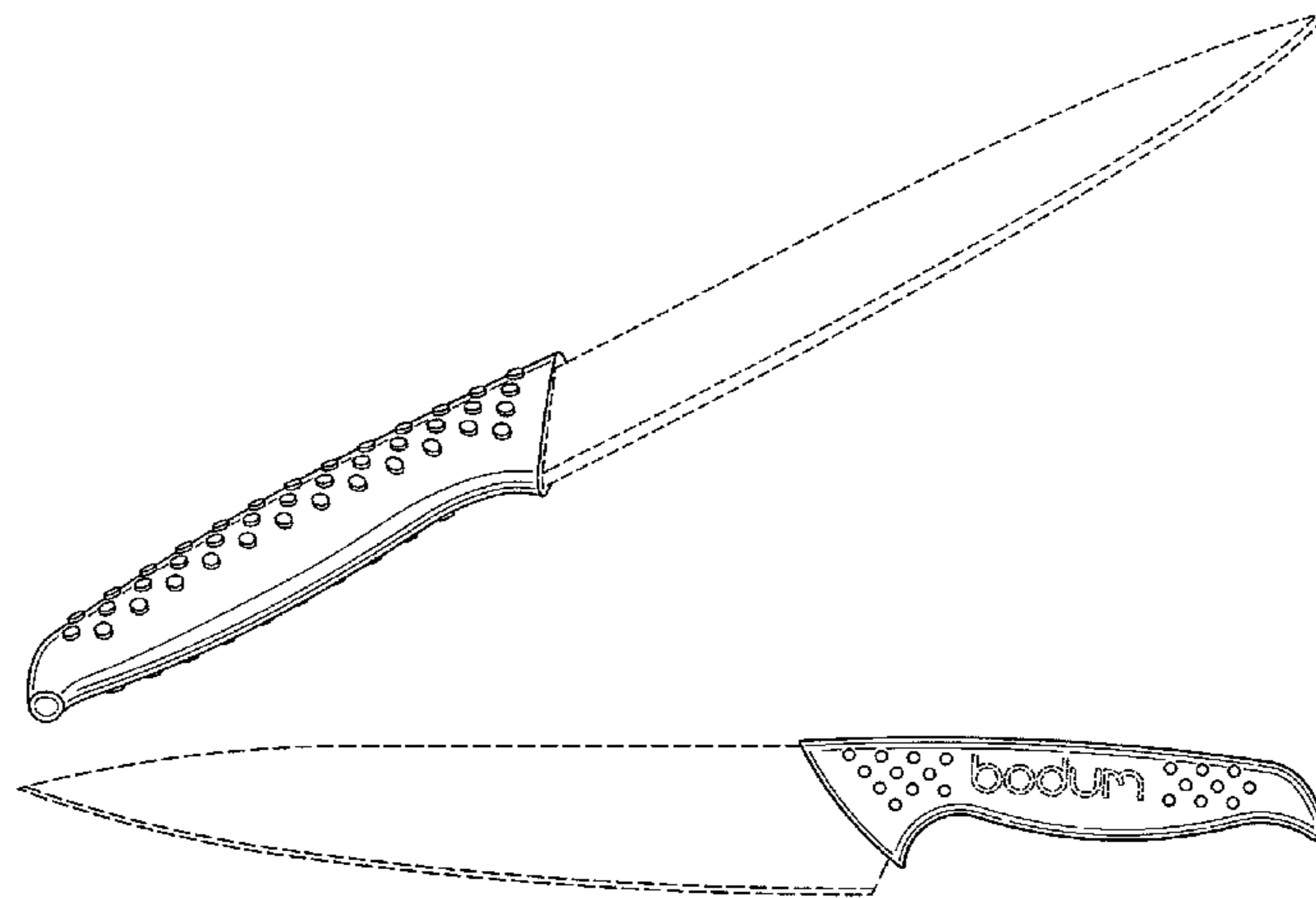
OTHER PUBLICATIONS

Extract from Bodum catalogue 2004/2005, pp. 156.

(Continued)

Primary Examiner—Ricky Pham

1 Claim, 16 Drawing Sheets



US D631,292 S

Page 2

U.S. PATENT DOCUMENTS

D587,535 S * 3/2009 Sverdrup-Jensen et al. ... D7/649
D612,706 S * 3/2010 Libman et al. D8/321
D614,455 S * 4/2010 Sverdrup-Jensen et al. ... D7/654
D621,230 S * 8/2010 Sverdrup-Jensen et al. ... D7/649

D621,231 S * 8/2010 Sverdrup-Jensen et al. ... D7/649

OTHER PUBLICATIONS

Extract from Bodum catalogue 2006/2007, pp. 66 to 71.
Extract from Bodum catalogue 2002/2003, pp. 94 to 95.

* cited by examiner

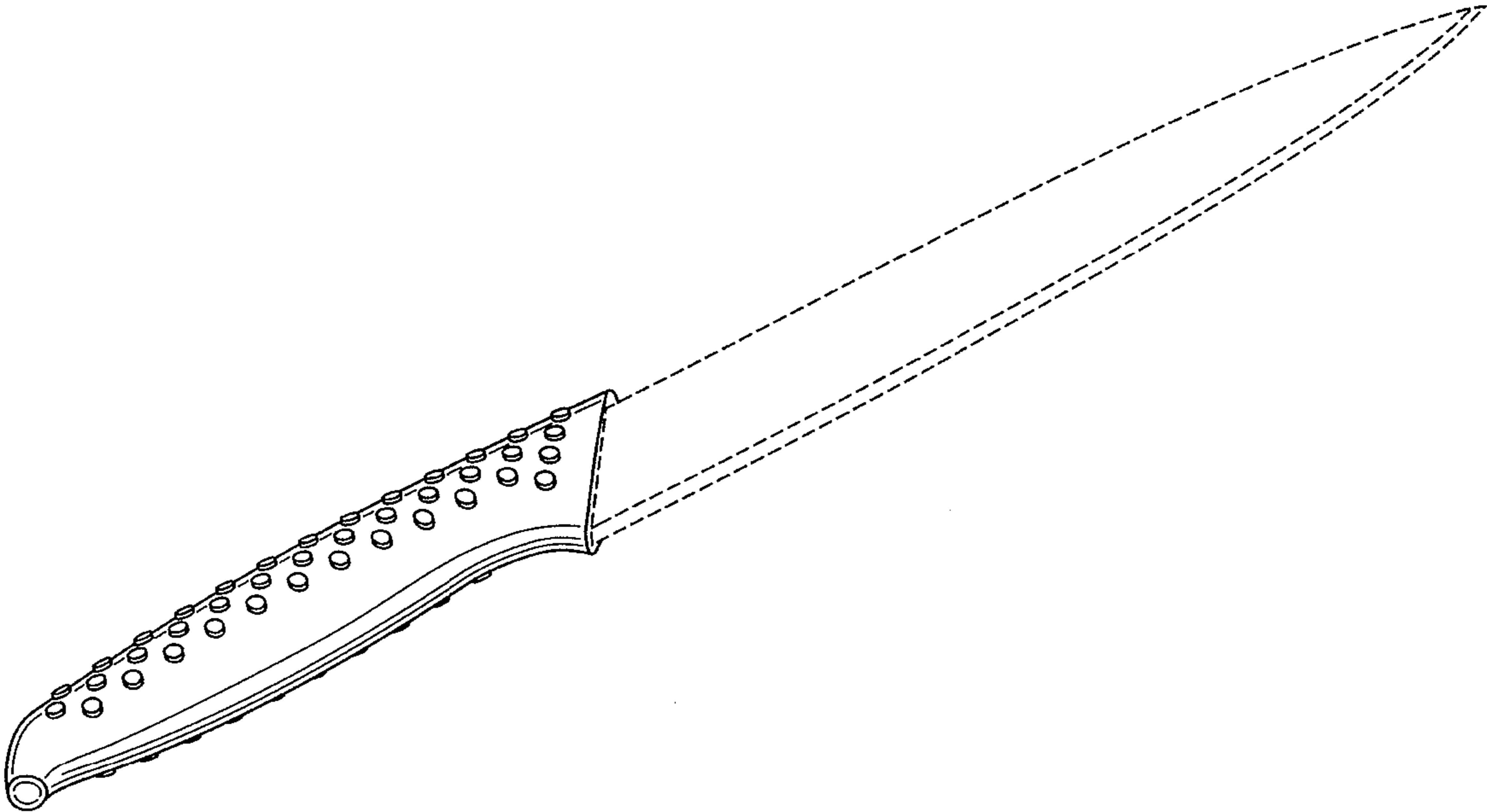


Figure 1

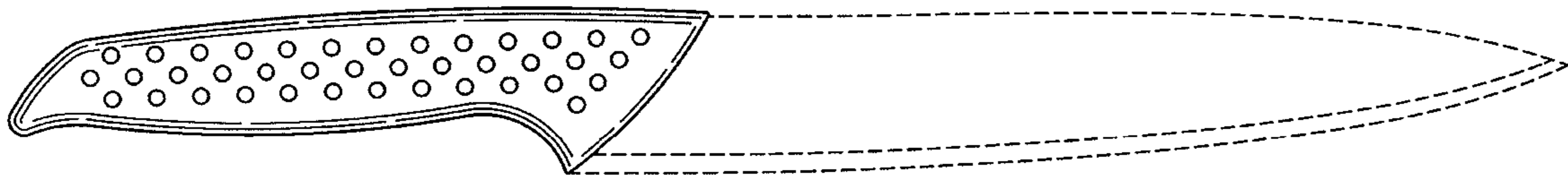


Figure 2

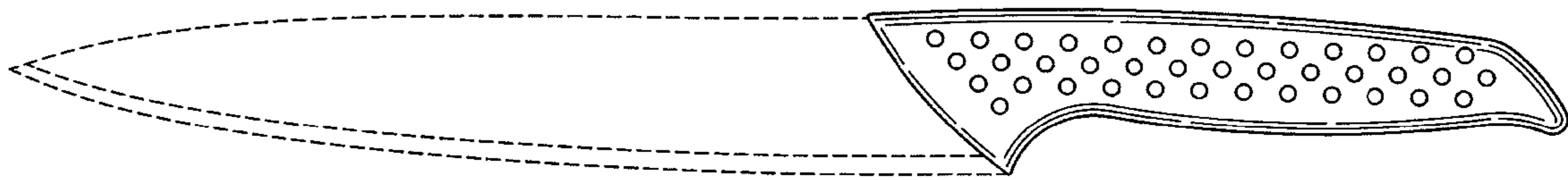


Figure 3

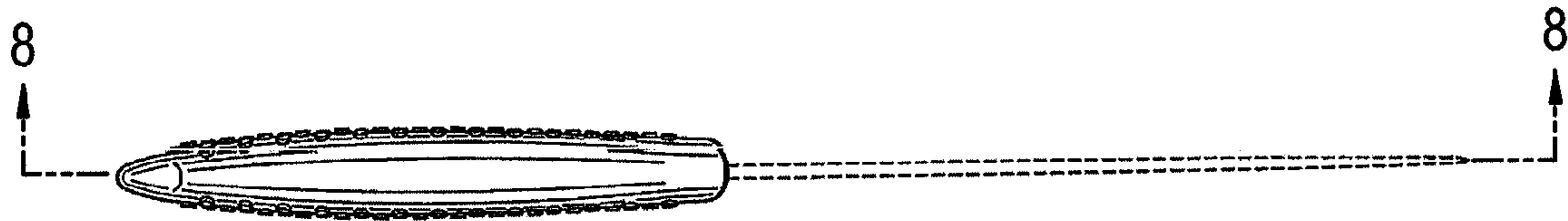


Figure 4

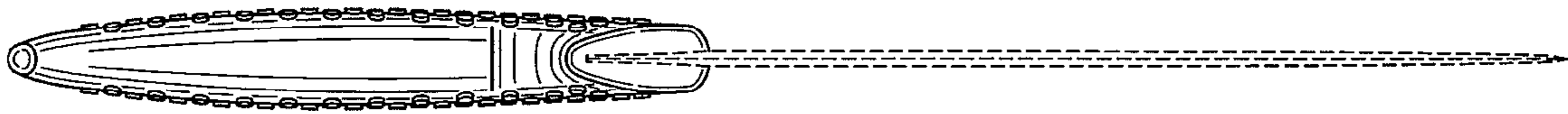


Figure 5

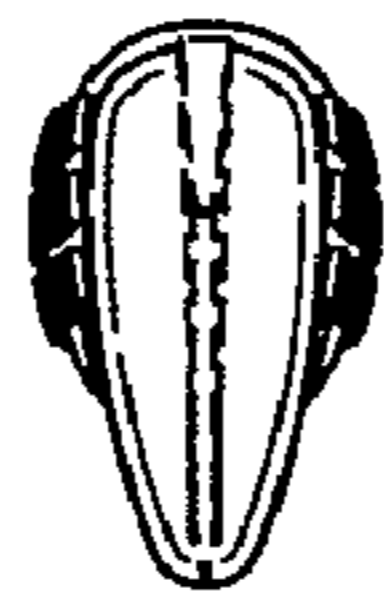


Figure 6



Figure 7

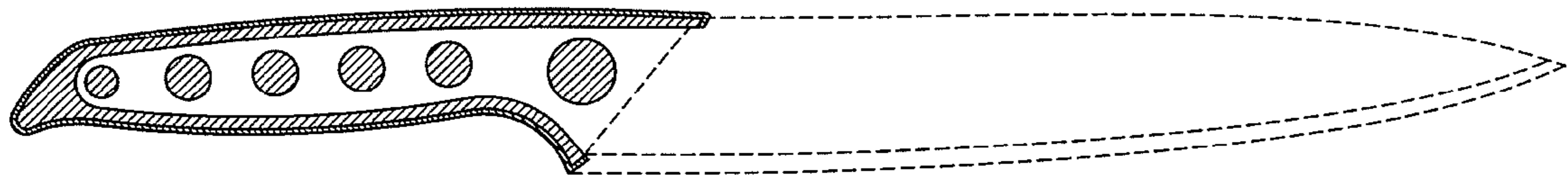


Figure 8

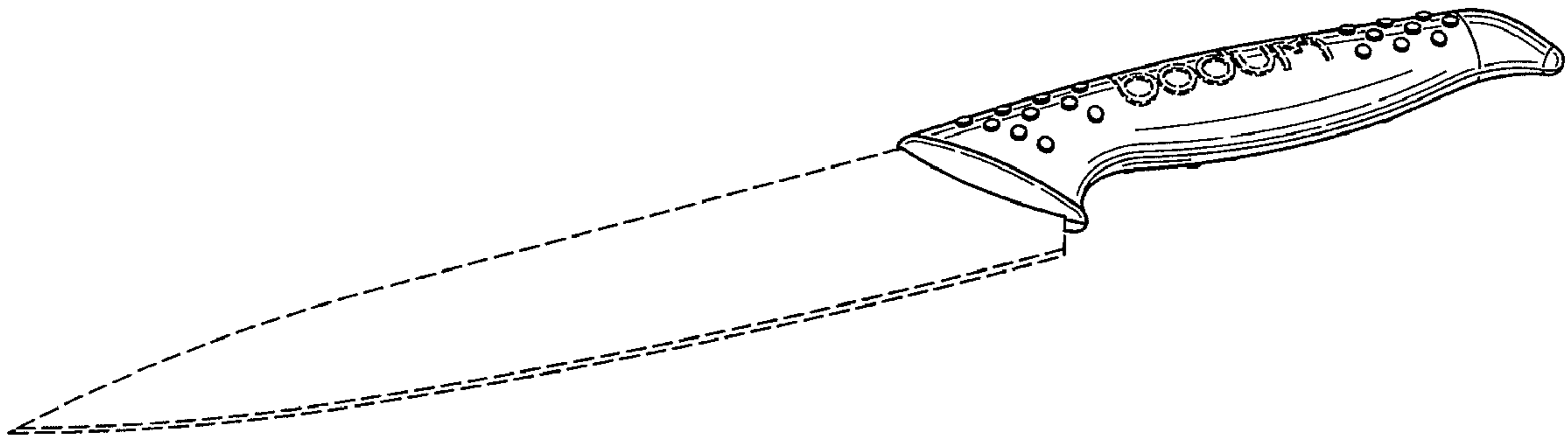


Figure 9

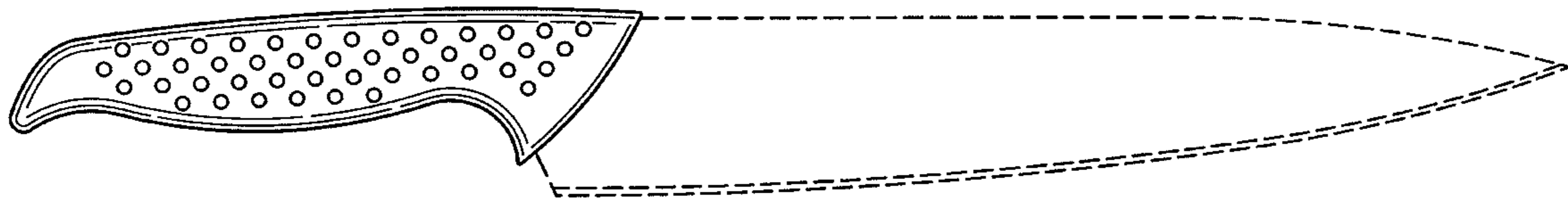


Figure 10

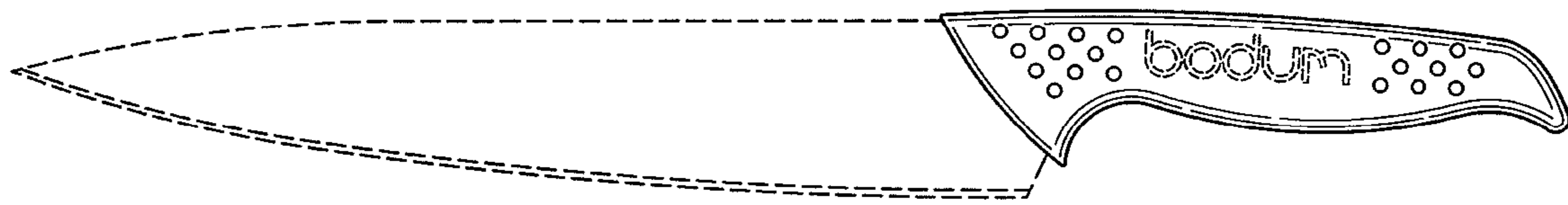


Figure 11

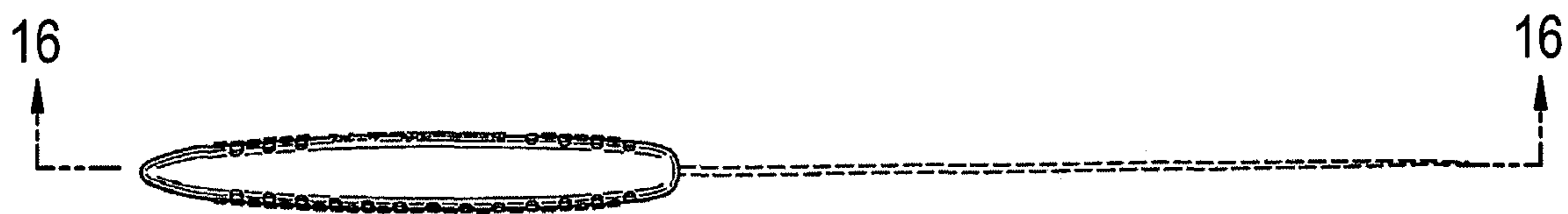


Figure 12



Figure 13



Figure 14



Figure 15



Figure 16