



US00D631291S

(12) **United States Design Patent**
Kushner et al.

(10) **Patent No.:** **US D631,291 S**

(45) **Date of Patent:** **** Jan. 25, 2011**

(54) **WINE AERATOR**

D623,010 S * 9/2010 Higgins D7/387
2006/0032855 A1* 2/2006 Hinkle 220/703

(75) Inventors: **Robert Gerald Kushner**, Flat G, Block G, Merry Terrace, 4 Seymour Road, Mid-Levels (HK); **Oliver Breit**, Discovery Bay (HK)

* cited by examiner

Primary Examiner—Marianne Pandozzi
(74) *Attorney, Agent, or Firm*—Stuart Whittington, Esq

(73) Assignee: **Robert Gerald Kushner**

(57) **CLAIM**

(**) Term: **14 Years**

The ornamental design for a wine aerator, as shown and described.

(21) Appl. No.: **29/349,554**

(22) Filed: **Apr. 14, 2010**

DESCRIPTION

(51) **LOC (9) Cl.** **07-01**

FIG. 1 is an exploded front, left, side, and bottom perspective view of a wine aerator showing our new design;

(52) **U.S. Cl.** **D7/398; D7/397; D7/213; D9/440**

FIG. 2 is a front, left, side, and bottom perspective view thereof;

(58) **Field of Classification Search** D7/700, D7/400, 396.2, 397, 398, 213, 392; D9/440; D23/213; 99/323.1

FIG. 3 is an enlarged front, left, side, and top perspective view thereof;

See application file for complete search history.

FIG. 4 is a right side elevational view of FIG. 2;

(56) **References Cited**

FIG. 5 is an exploded right side elevational view of FIG. 1;

U.S. PATENT DOCUMENTS

5,293,912	A *	3/1994	Wildash et al.	141/344
D418,417	S *	1/2000	Hollinger	D9/440
6,386,935	B1 *	5/2002	Lin	446/16
6,508,163	B1 *	1/2003	Weatherill	99/323.1
D499,315	S *	12/2004	Settele	D7/700
D499,616	S *	12/2004	Sanders et al.	D7/700
D535,559	S *	1/2007	Kehoe	D9/440
7,299,743	B2 *	11/2007	Moore	99/323.1
D570,652	S *	6/2008	Nudi et al.	D7/700
D605,465	S *	12/2009	Benton et al.	D7/396.2
7,686,269	B1 *	3/2010	Beal	248/313
D614,443	S *	4/2010	Federighi	D7/398

FIG. 6 is a front elevational view of FIG. 2;

FIG. 7 is an exploded front elevational view of FIG. 1;

FIG. 8 is a rear elevational view of FIG. 2;

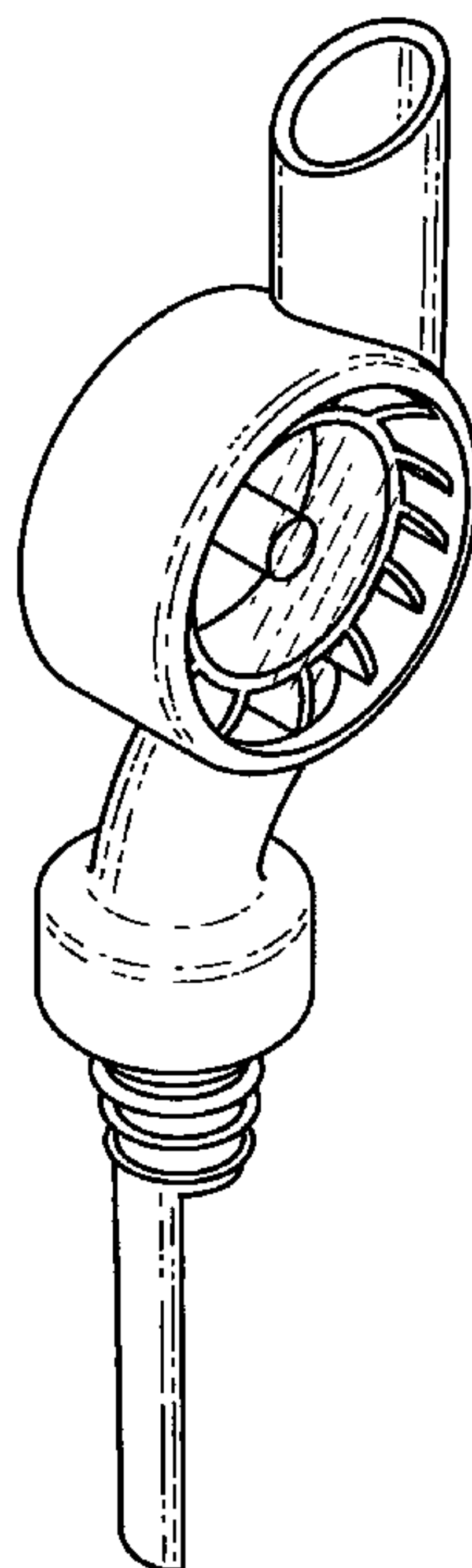
FIG. 9 is an exploded rear elevational of FIG. 1;

FIG. 10 is a top plan view thereof; and,

FIG. 11 is a bottom plan view thereof.

The broken line showing of a cap and stand are included for the purpose of illustration and forms no part of the claimed design.

1 Claim, 6 Drawing Sheets



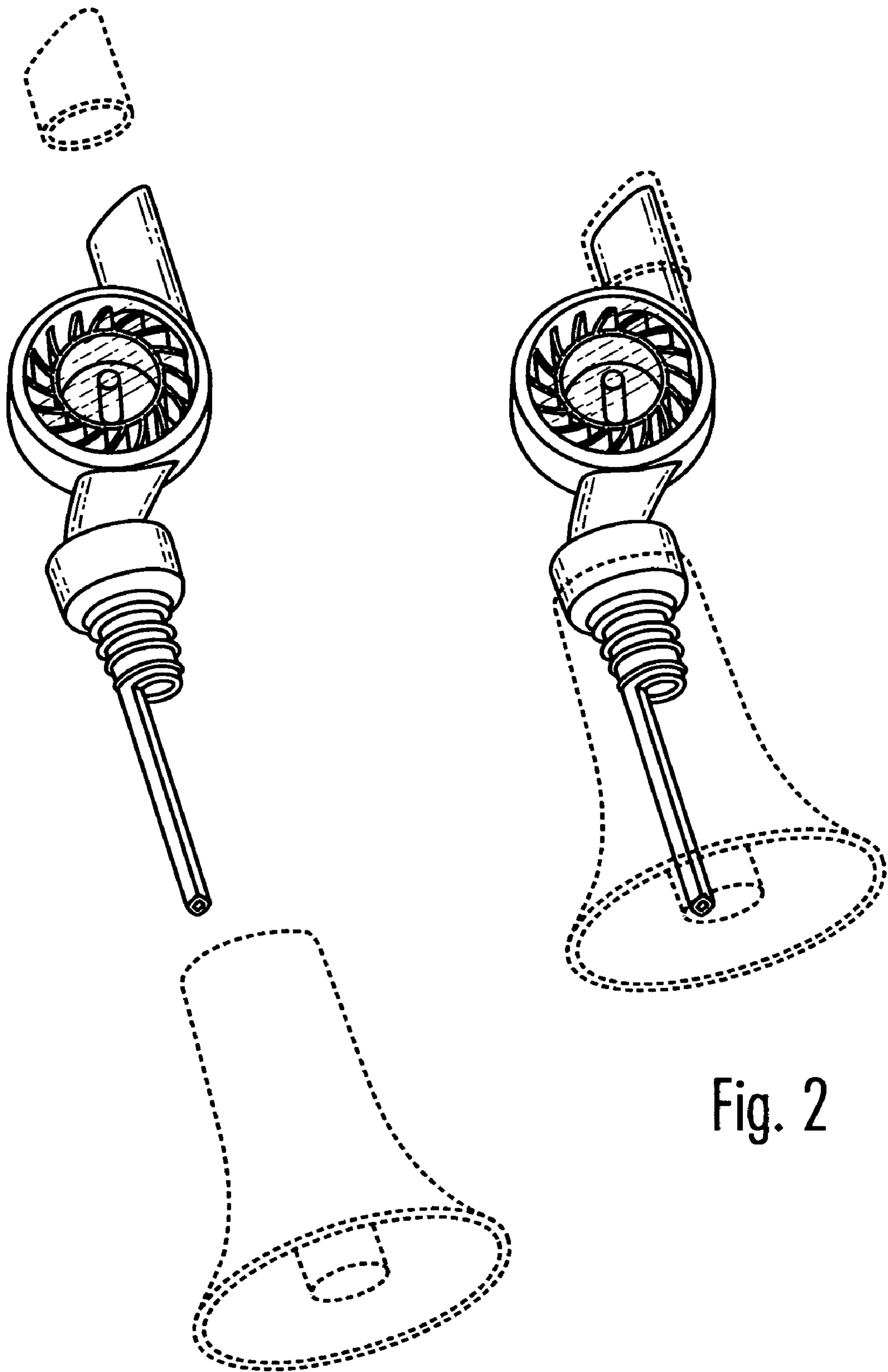


Fig. 1

Fig. 2

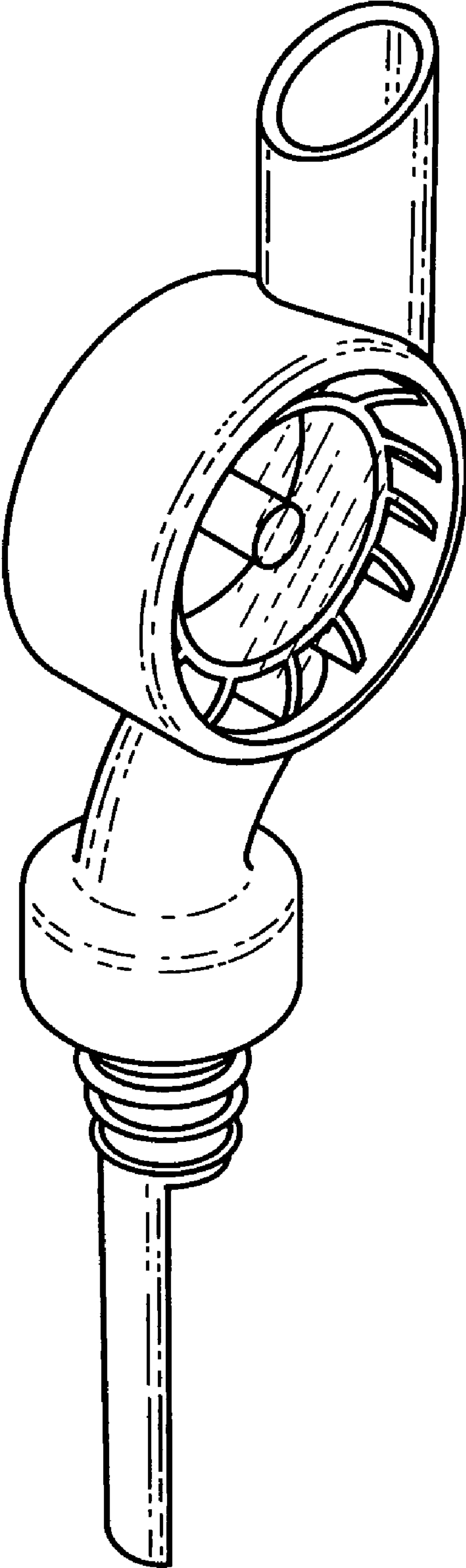


Fig. 3

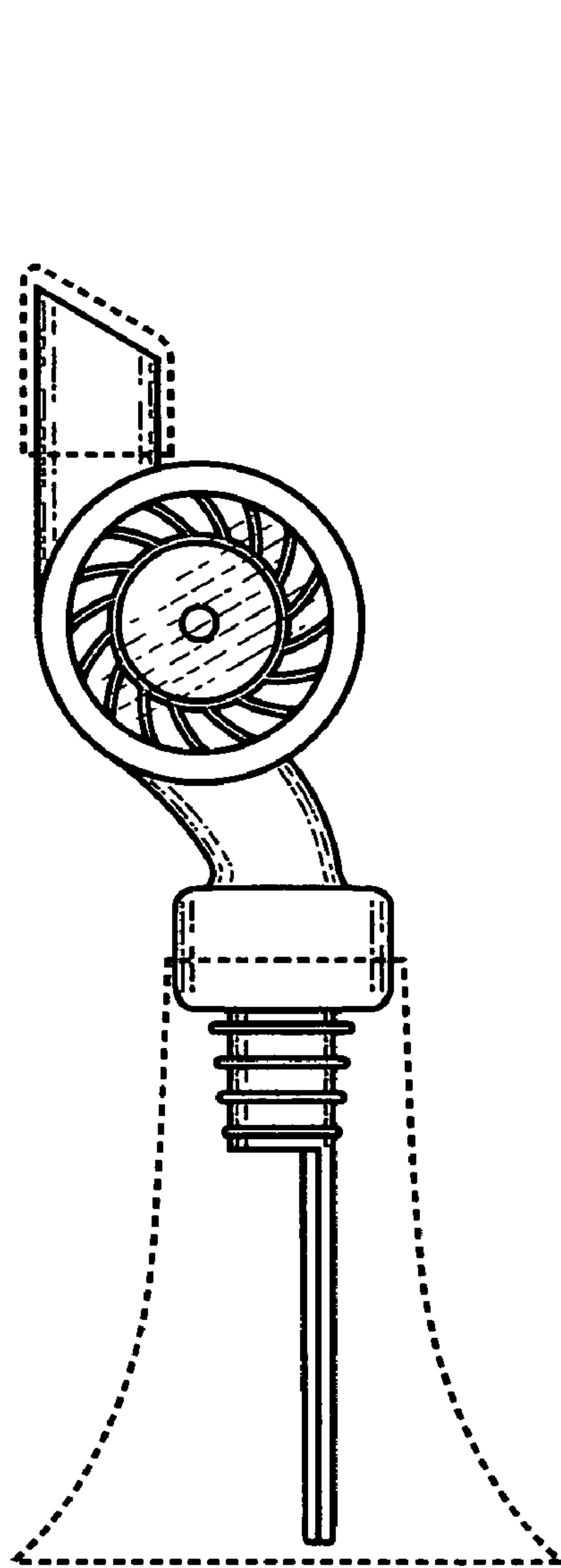


Fig. 4

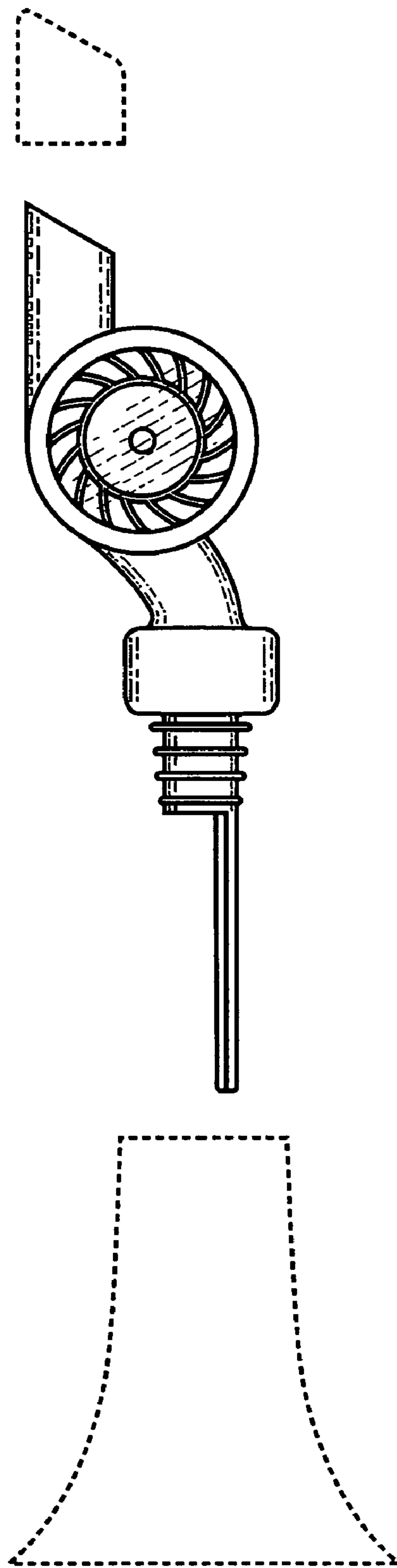


Fig. 5

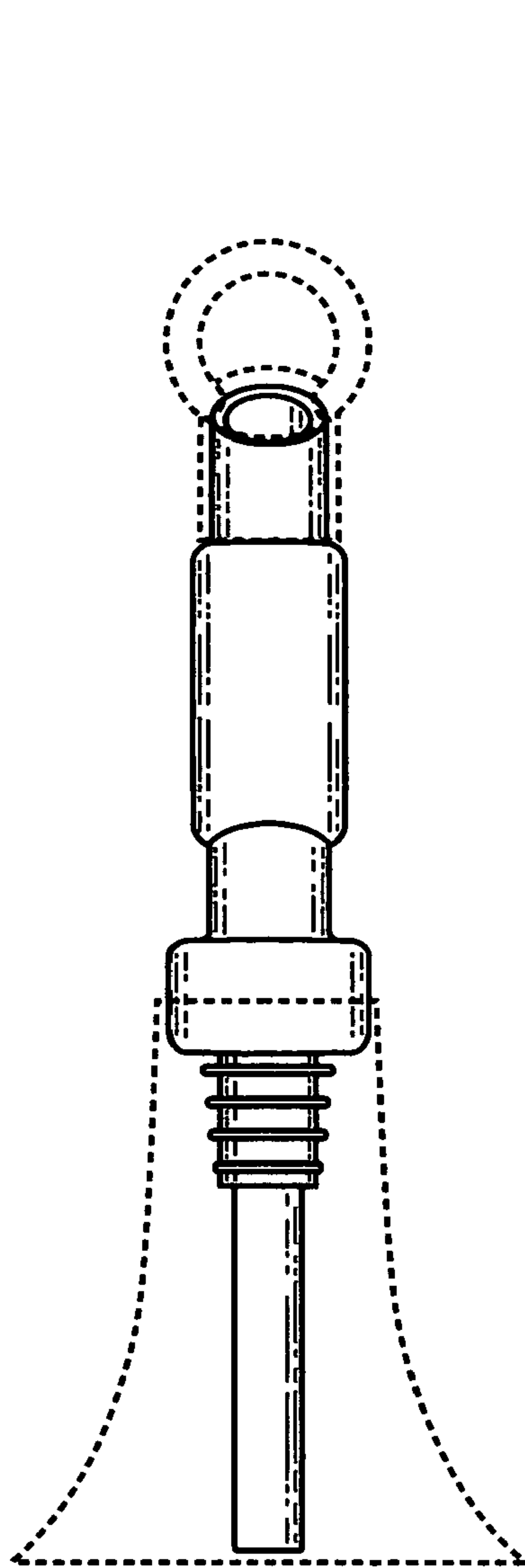


Fig. 6

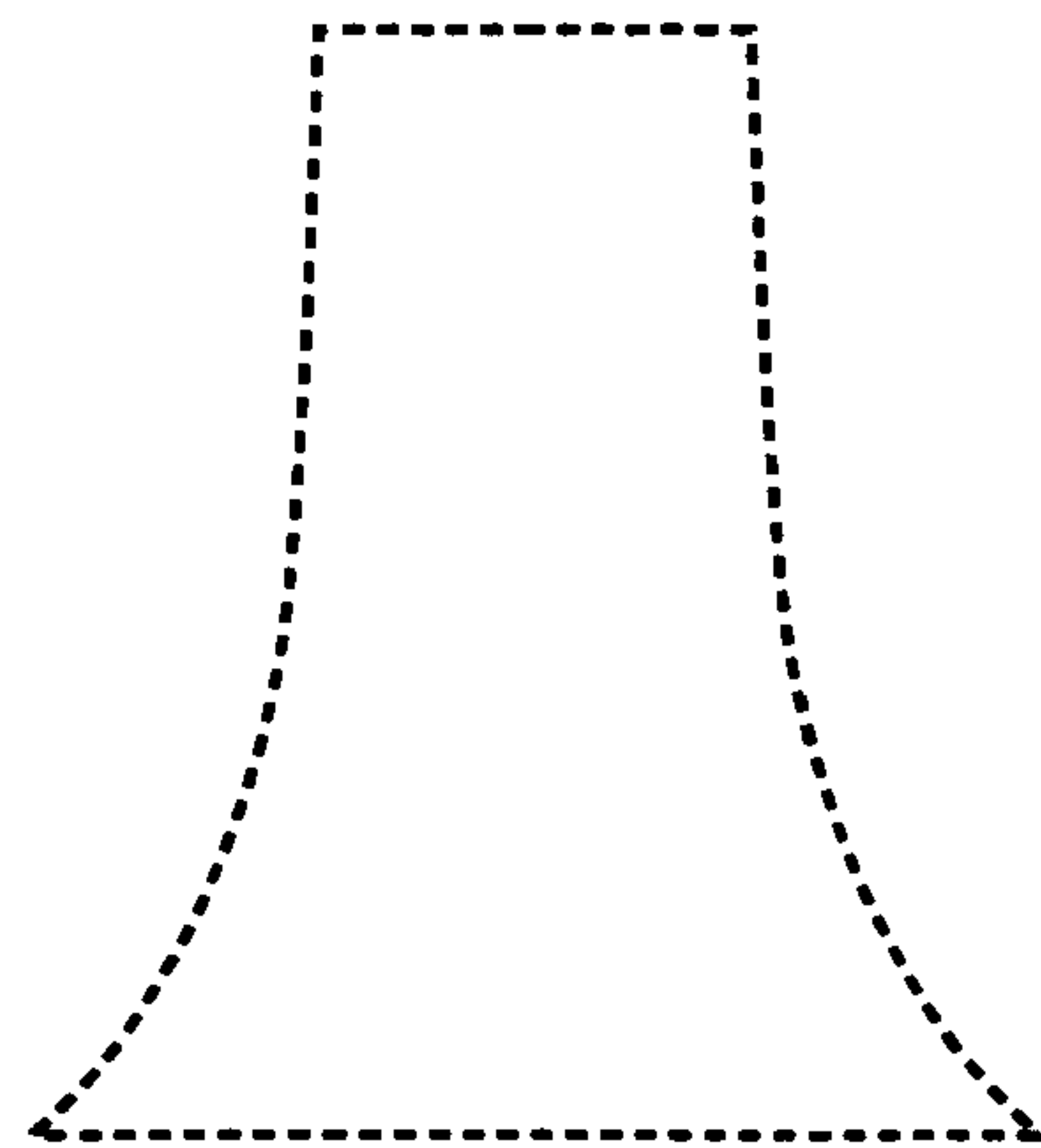
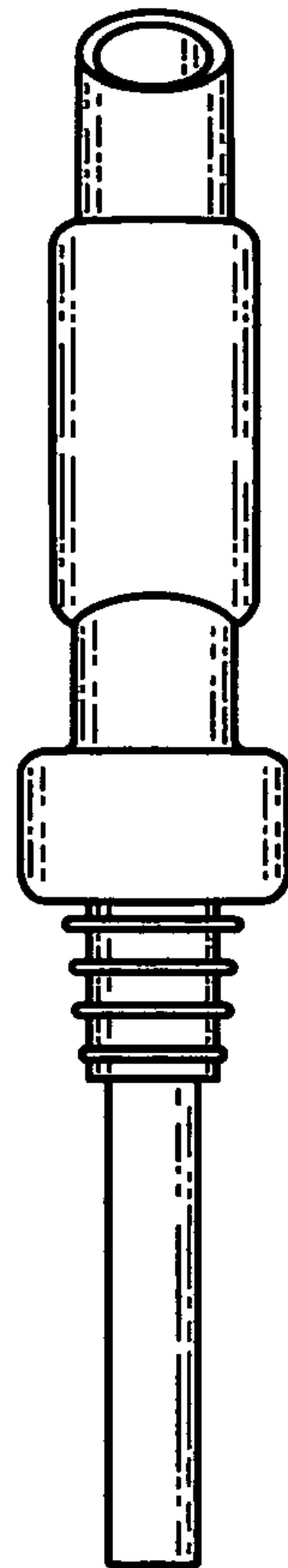
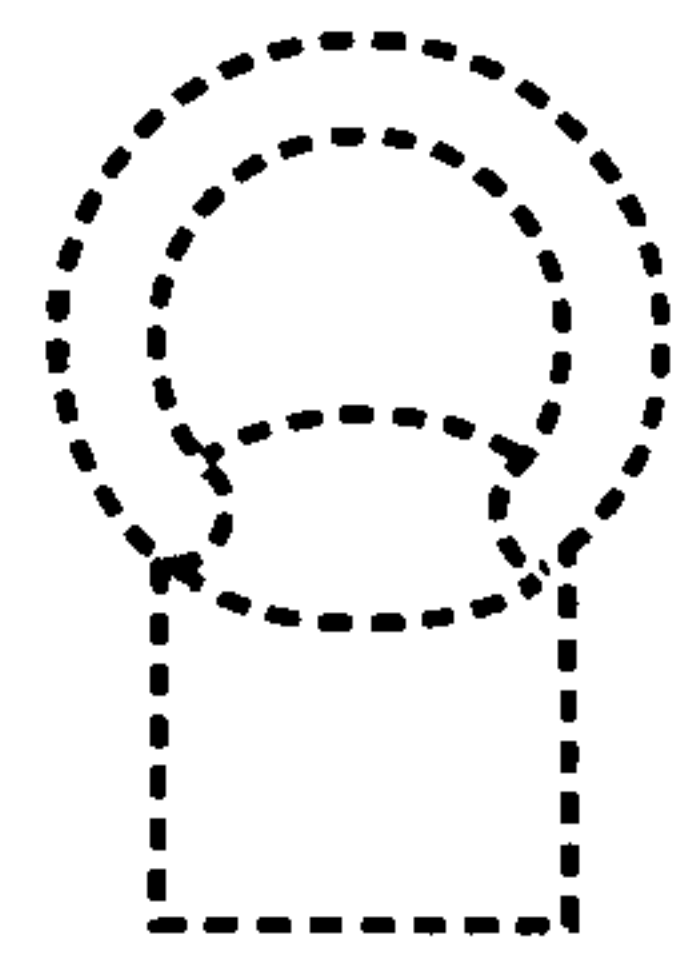


Fig. 7

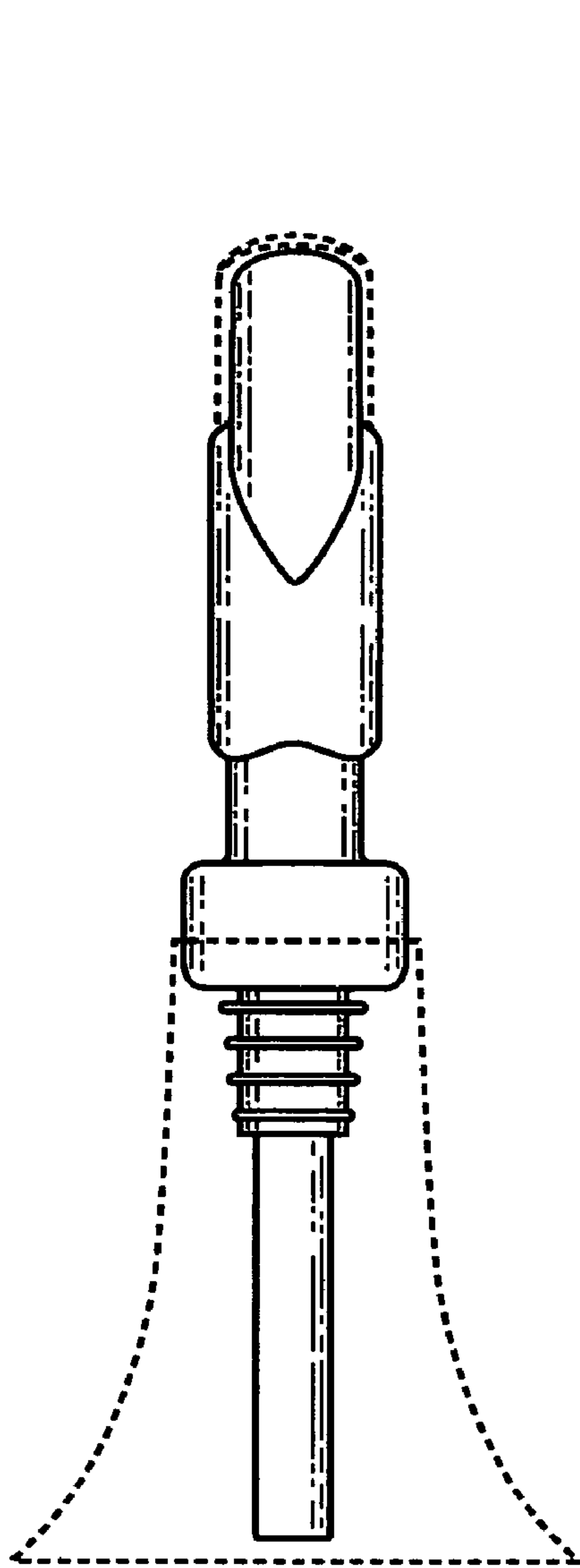


Fig. 8

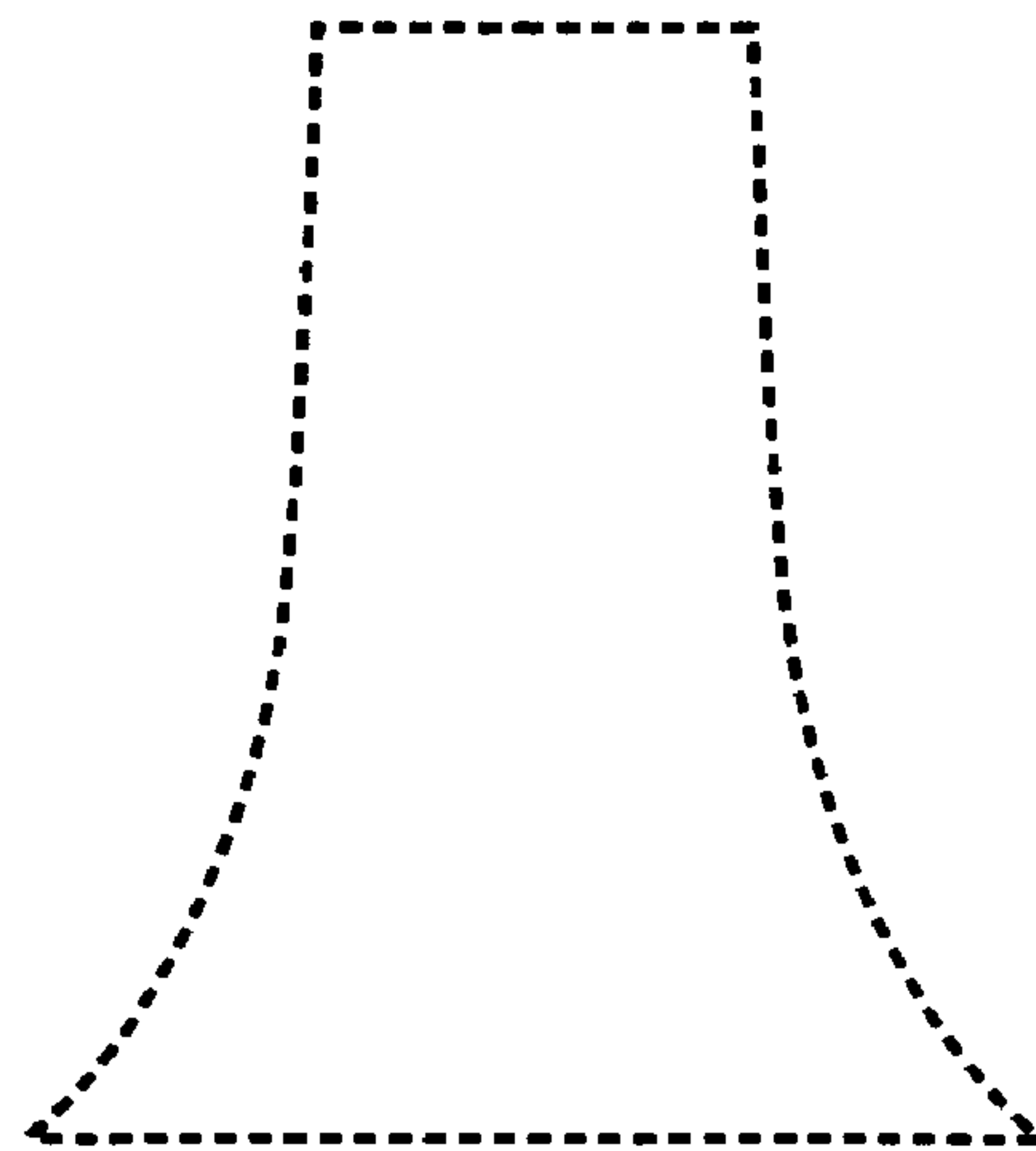
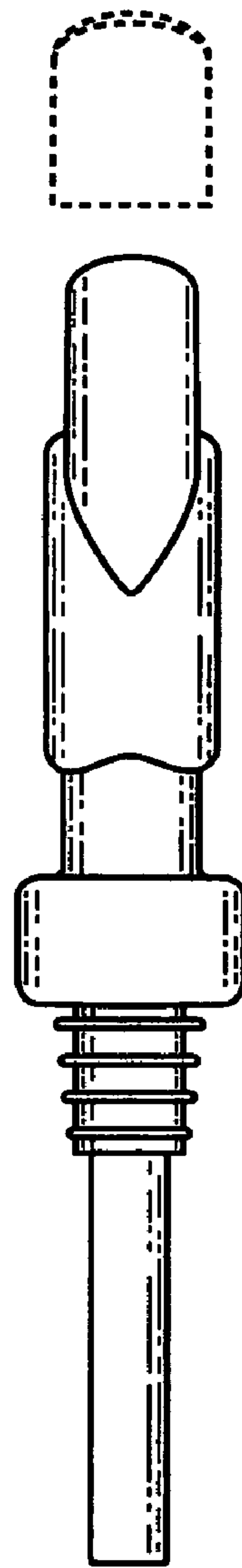


Fig. 9

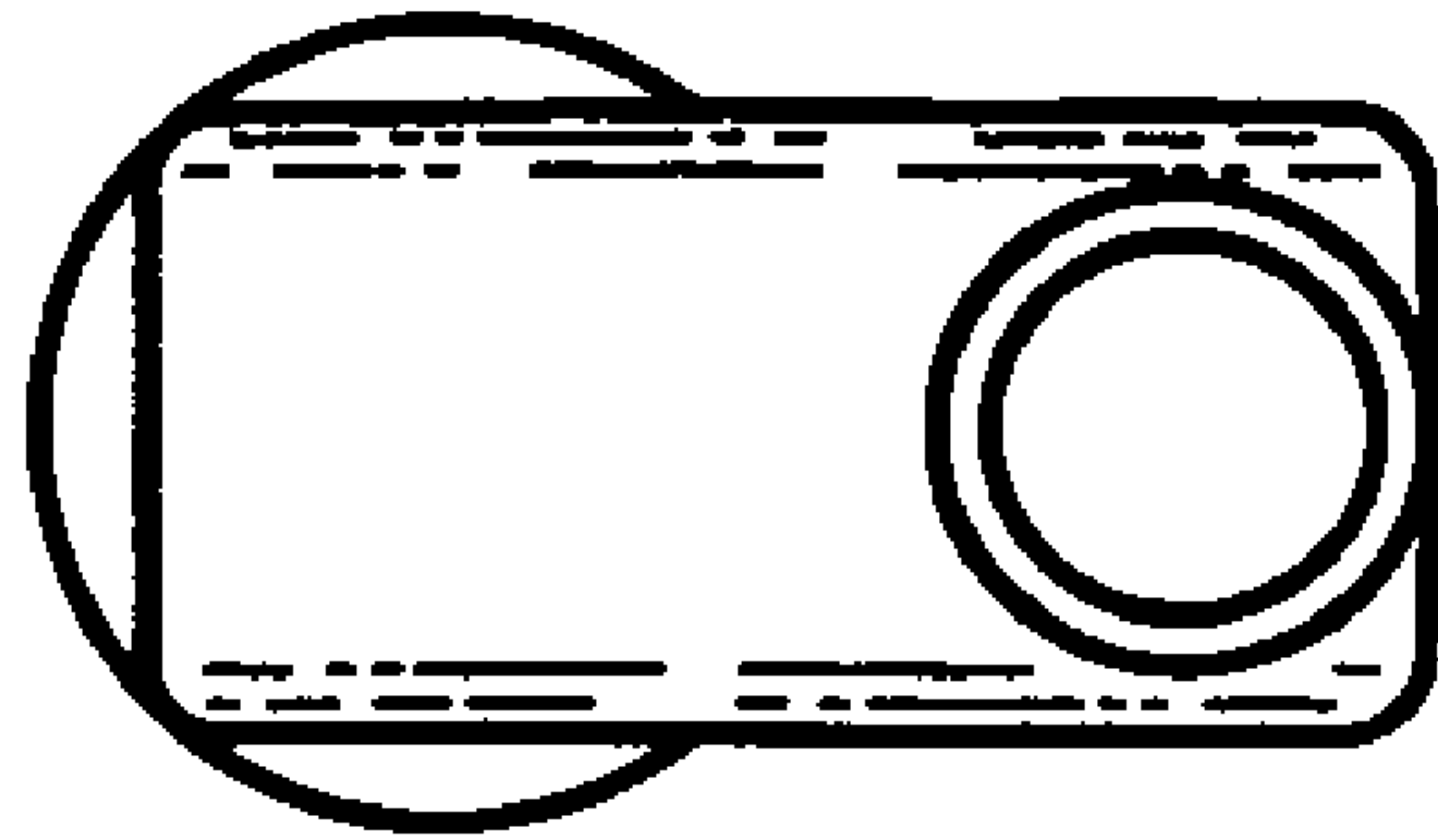


Fig. 10

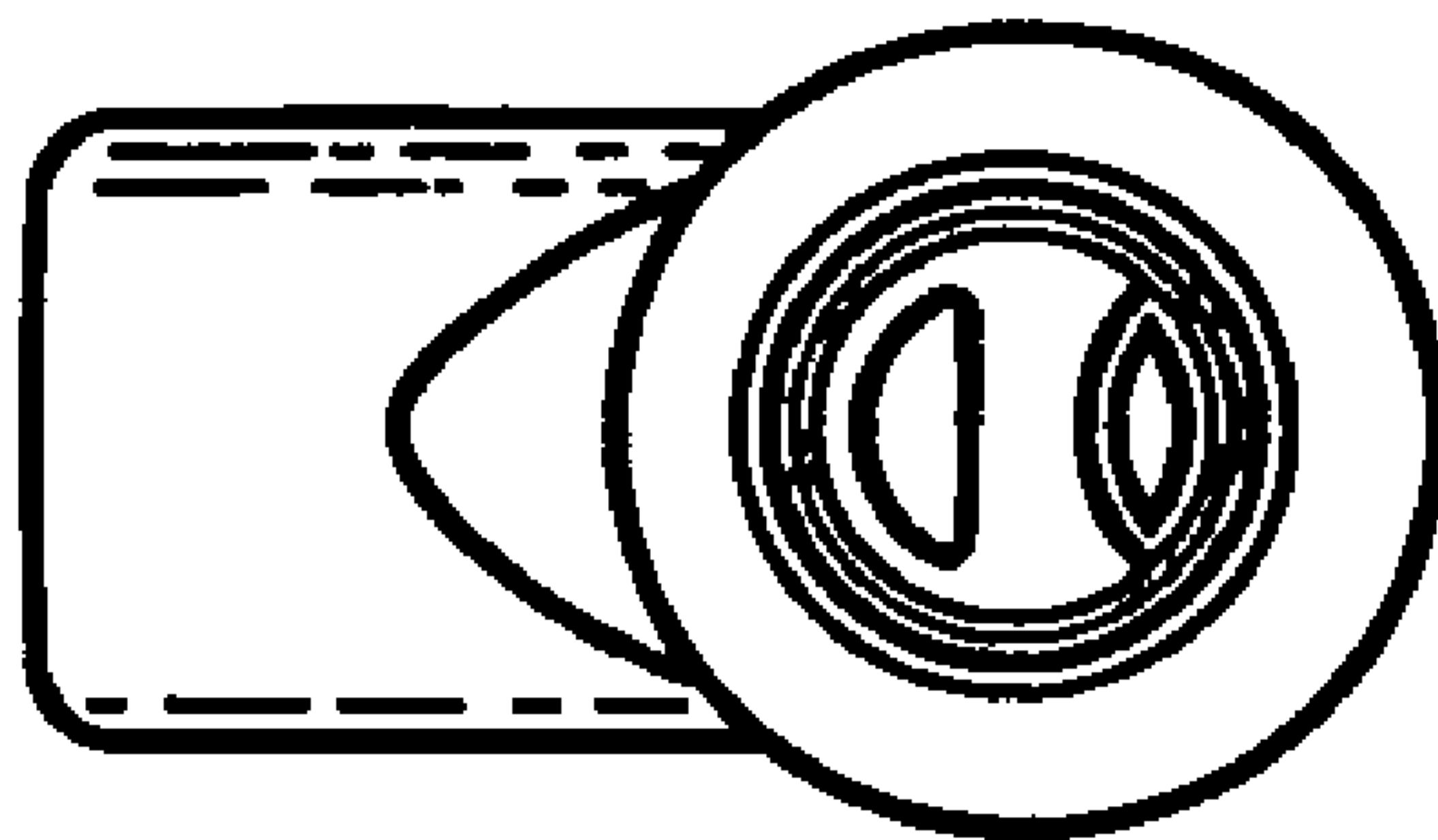


Fig. 11