



US00D631288S

(12) **United States Design Patent**
Grasso et al.

(10) **Patent No.:** **US D631,288 S**
(45) **Date of Patent:** **** Jan. 25, 2011**

(54) **GRILL HANDLE**

(75) Inventors: **James Grasso**, Arlington Heights, IL (US); **Ewald Sieg**, Palatine, IL (US); **Charles Choi**, Chicago, IL (US); **Adrian A. Bruno**, Rolling Meadows, IL (US)

(73) Assignee: **Weber-Stephen Products Co.**, Palatine, IL (US)

(**) Term: **14 Years**

(21) Appl. No.: **29/345,048**

(22) Filed: **Oct. 8, 2009**

(51) **LOC (9) Cl.** **07-02**

(52) **U.S. Cl.** **D7/394; D7/402**

(58) **Field of Classification Search** D7/394,
D7/332, 334–337, 402–404; 16/436, 431,
16/114.1, 419, 415; 126/25 R, 9 R, 40, 50,
126/41 R, 38; 431/344; 99/425; D8/315–317,
D8/319, 320

See application file for complete search history.

(56) **References Cited**

U.S. PATENT DOCUMENTS

D183,489	S	*	9/1958	Hvale	D7/394
3,959,620	A	*	5/1976	Stephen, Jr.	219/386
4,498,452	A	*	2/1985	Schlosser et al.	126/9 R
4,836,179	A	*	6/1989	Schlosser et al.	126/25 R
5,076,252	A		12/1991	Schlosser et al.		
5,111,802	A		5/1992	Lin		
D379,581	S	*	6/1997	Sieg et al.	D8/316
5,771,536	A	*	6/1998	Sieg et al.	16/431
D405,643	S	*	2/1999	Coleman et al.	D7/402
D415,653	S		10/1999	Schlosser et al.		
6,155,248	A		12/2000	Schlosser et al.		
D435,761	S	*	1/2001	Johnson	D7/402
6,220,240	B1	*	4/2001	Grady et al.	126/519
D461,096	S	*	8/2002	Hung	D7/402

D468,584	S	*	1/2003	Hung	D7/402
D478,472	S	*	8/2003	Cozzolino et al.	D7/402
D482,950	S	*	12/2003	McKenzie	D8/320
6,658,698	B2	*	12/2003	Chen	16/114.1
D520,813	S	*	5/2006	Chung	D7/402
D565,890	S	*	4/2008	Bunting et al.	D7/394
D576,446	S	*	9/2008	Rae	D7/394
D584,921	S	*	1/2009	Moulin Robson	D7/394
D592,450	S	*	5/2009	Rae	D7/394
D623,003	S	*	9/2010	Chung	D7/334
2003/0150082	A1	*	8/2003	Chen	16/114.1

OTHER PUBLICATIONS

The British Standard—BS EN 1860-1:2003 entitled “Appliances, Solid Fuels and Firelighter for Barbecueing; Part 1: Barbecues burning solid fuels, Requirements and Test Methods”.

* cited by examiner

Primary Examiner—Ruth McInroy

(74) *Attorney, Agent, or Firm*—David I. Roche; Daniel A. Tallitsch; Baker & McKenzie LLP

(57) **CLAIM**

The ornamental design for a grill handle, as shown and described.

DESCRIPTION

FIG. 1 is a perspective view of a grill handle showing our new design;

FIG. 2 is a perspective view of the handle;

FIG. 3 is a front view thereof;

FIG. 4 is a right side view thereof, the left side being a mirror image;

FIG. 5 is a top view thereof, the bottom being a mirror image; and,

FIG. 6 is a rear view thereof.

The details shown in broken lines form no part of the claimed design.

1 Claim, 2 Drawing Sheets

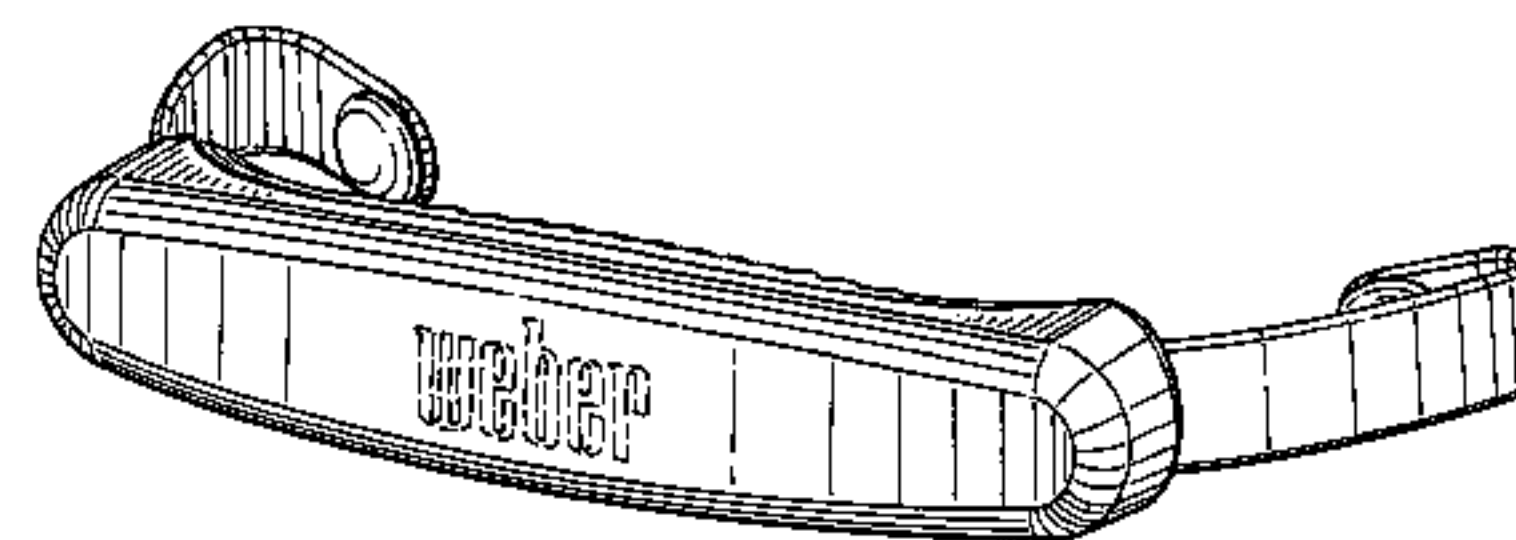
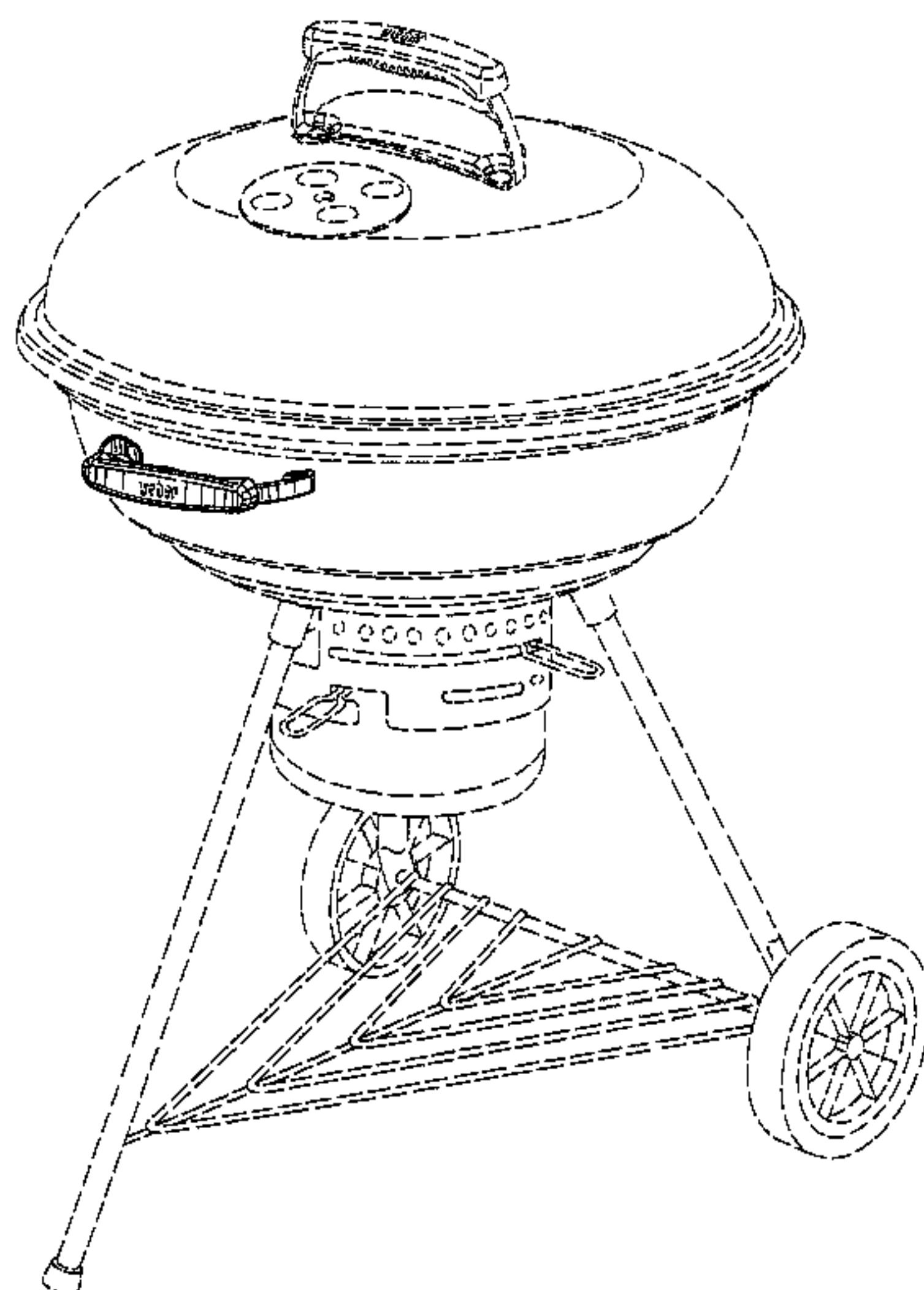


FIG. 1

