



US00D631286S

(12) **United States Design Patent**
Smiedt et al.

(10) **Patent No.:** **US D631,286 S**
(45) **Date of Patent:** **** Jan. 25, 2011**

(54) **BOTTLE TOP WITH FILTER**

(75) Inventors: **Richard Smiedt**, New York, NY (US);
Karim Rashid, New York, NY (US)

(73) Assignee: **Move Collective LLC**, New York, NY
(US)

(**) Term: **14 Years**

(21) Appl. No.: **29/362,495**

(22) Filed: **May 26, 2010**

(51) **LOC (9) Cl.** **07-02**

(52) **U.S. Cl.** **D7/392.1**

(58) **Field of Classification Search** D7/300,
D7/510, 511, 391, 392, 392.1, 396.2; D9/440,
D9/447, 449, 452, 551; D23/207, 209; 210/232,
210/244, 266, 282, 295, 338, 348, 416.1,
210/416.3, 446, 467, 468, 473, 767; 215/44;
222/189.06, 189.07, 566

See application file for complete search history.

(56) **References Cited**

U.S. PATENT DOCUMENTS

3,118,573	A	1/1964	Johnson	
3,572,590	A	3/1971	Malone	
4,007,858	A	2/1977	Shay	
5,127,553	A	7/1992	Weinstein	
5,211,973	A	5/1993	Nohren, Jr.	
5,518,143	A	5/1996	Iodice	
5,609,759	A	3/1997	Nohren, Jr. et al.	
5,681,463	A	10/1997	Shimizu et al.	
5,709,794	A *	1/1998	Emmons et al.	210/416.1
D391,448	S *	3/1998	Winer et al.	D7/510
5,919,365	A *	7/1999	Collette	210/473
5,928,512	A	7/1999	Hatch et al.	
6,004,460	A	12/1999	Palmer et al.	
6,165,362	A *	12/2000	Nohren et al.	210/266
6,165,382	A	12/2000	Perez Mendez et al.	
6,193,886	B1 *	2/2001	Nohren, Jr.	210/282
6,200,471	B1 *	3/2001	Nohren, Jr.	210/266
6,221,416	B1 *	4/2001	Nohren, Jr.	210/282
6,395,170	B1 *	5/2002	Hughes et al.	210/232

6,565,743	B1 *	5/2003	Poirier et al.	222/189.07
6,569,329	B1	5/2003	Nohren, Jr.	
D490,315	S *	5/2004	Kiser	D9/447
6,733,669	B1 *	5/2004	Crick	210/282

(Continued)

FOREIGN PATENT DOCUMENTS

WO 9904667 A1 2/1999

(Continued)

OTHER PUBLICATIONS

PCT, "International Search Report", International Publication No. WO 00/68151 A3, International Publication Date Nov. 16, 2000, 7 pages.

(Continued)

Primary Examiner—Cynthia M Chin
(74) *Attorney, Agent, or Firm*—John W. LaBatt; Hoffman Warnick LLC

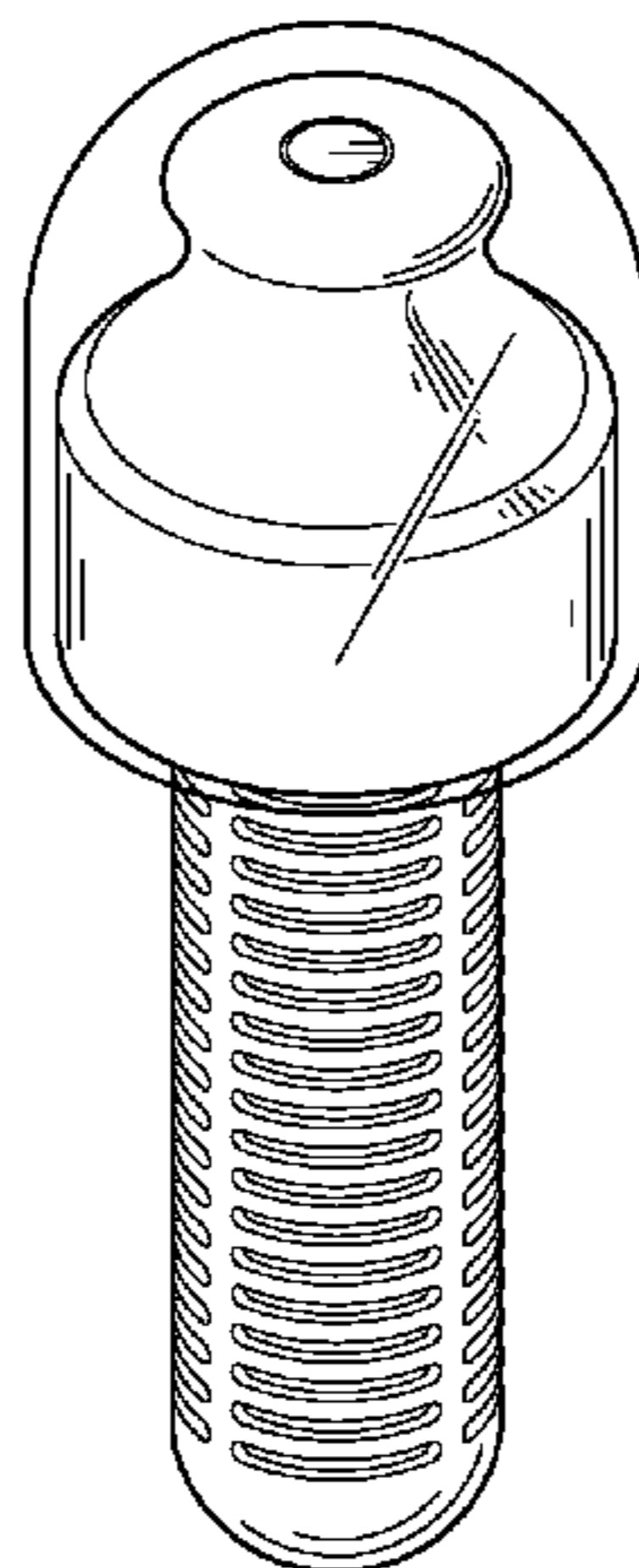
(57) **CLAIM**

The ornamental design for the bottle top with filter, as shown and described.

DESCRIPTION

FIG. 1 is an isometric view of a bottle top with filter according to the present design.
FIG. 2 is a side view of FIG. 1.
FIG. 3 is a plan view of FIG. 1; and,
FIG. 4 is a bottom view of FIG. 1.

1 Claim, 1 Drawing Sheet



US D631,286 S

Page 2

U.S. PATENT DOCUMENTS

D507,744 S * 7/2005 Hierzer et al. D9/440
D508,202 S * 8/2005 Dobson et al. D9/447
D513,185 S 12/2005 Ruiz
D517,864 S * 3/2006 Yu D7/510
D536,205 S * 2/2007 Jensen et al. D7/300
7,416,087 B2 * 8/2008 Press 210/466
7,427,355 B2 * 9/2008 Chau 210/266
D594,088 S * 6/2009 Pritchard D23/207
D596,703 S * 7/2009 McKinney D23/209
7,614,512 B2 11/2009 Nader
7,713,483 B2 * 5/2010 Maiden 422/101
D624,153 S * 9/2010 Shani D23/207
7,810,651 B2 * 10/2010 Miga, Jr. 210/466
2002/0036176 A1 * 3/2002 Hughes et al. 210/767

FOREIGN PATENT DOCUMENTS

WO 9936152 A1 7/1999

WO 0068151 A2 11/2000

OTHER PUBLICATIONS

Admitted Prior Art under 35 USC 102(a) when filing date is used as invention date: "Fit & Fresh Filtered Water Bottle", DPCI: 002-03-0102, ASIN: B001IMXVCS, Catalog #: 11049227, Undated.

Admitted Prior Art under 35 USC 102(a) when filing date is used as invention date: Start Healthy Stay Healthy Resource Center, "Gerber Graduates Fun Grips Spill Proof Cups", Undated.

Admitted Prior Art under 35 USC 102(a) when filing date is used as invention date: "Katadyn Micro Bottle Water Filter", DPCI: 242-04-9316, ASIN: B0000FB46U, Catalog #: 10545684, Undated.

Admitted Prior Art under 35 USC 102(a) when filing date is used as invention date: Pure Water 2GO, Portable Filtered Water, printed from www.purewater2go.com/bottles.html on Dec. 1, 2009, 5 pages, Undated.

* cited by examiner

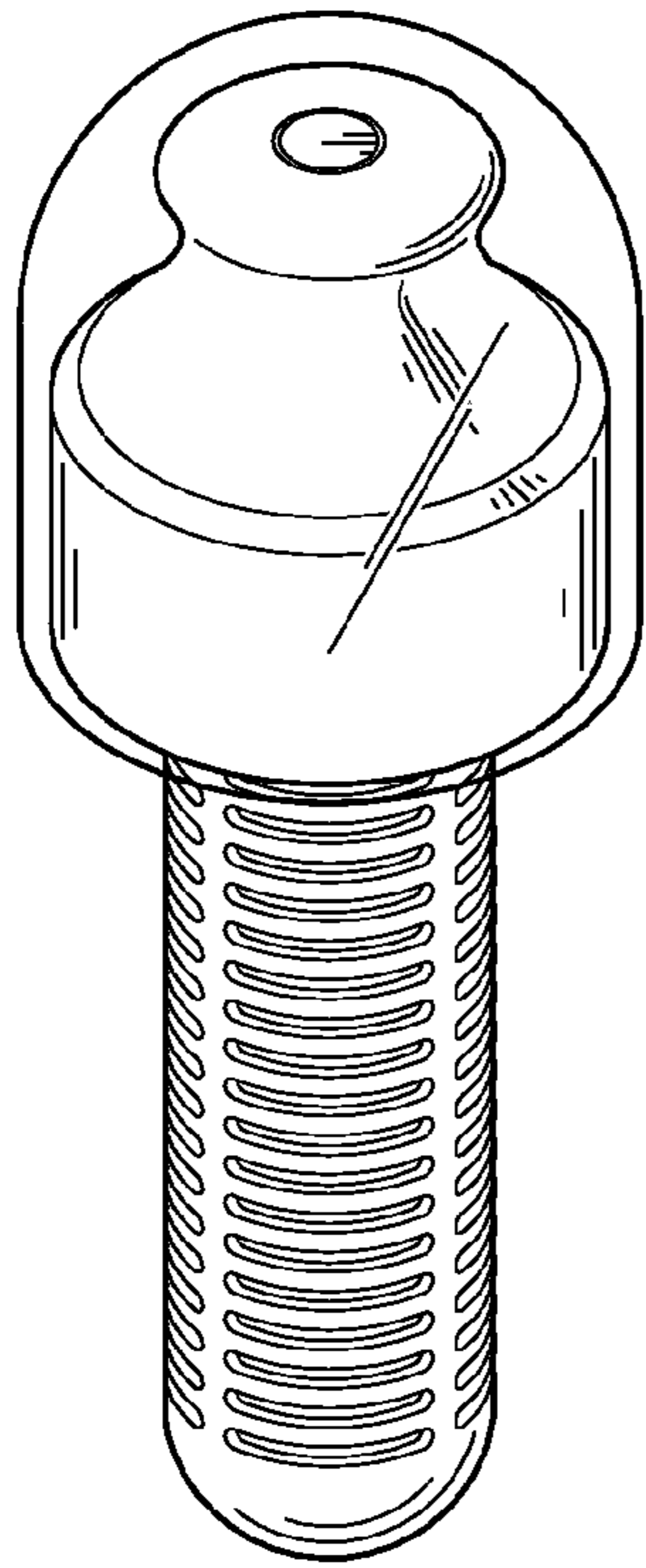


FIG. 1

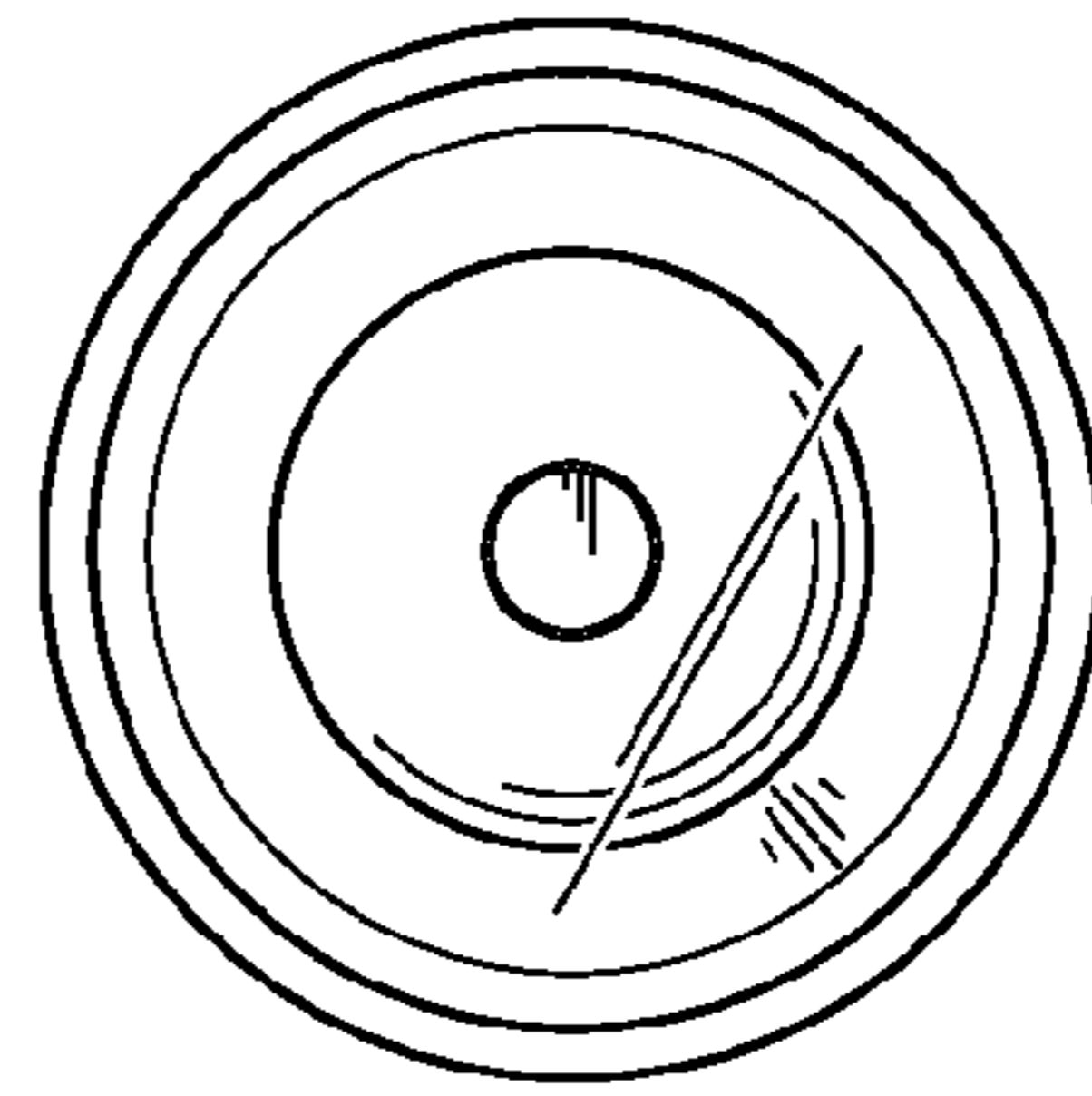


FIG. 3

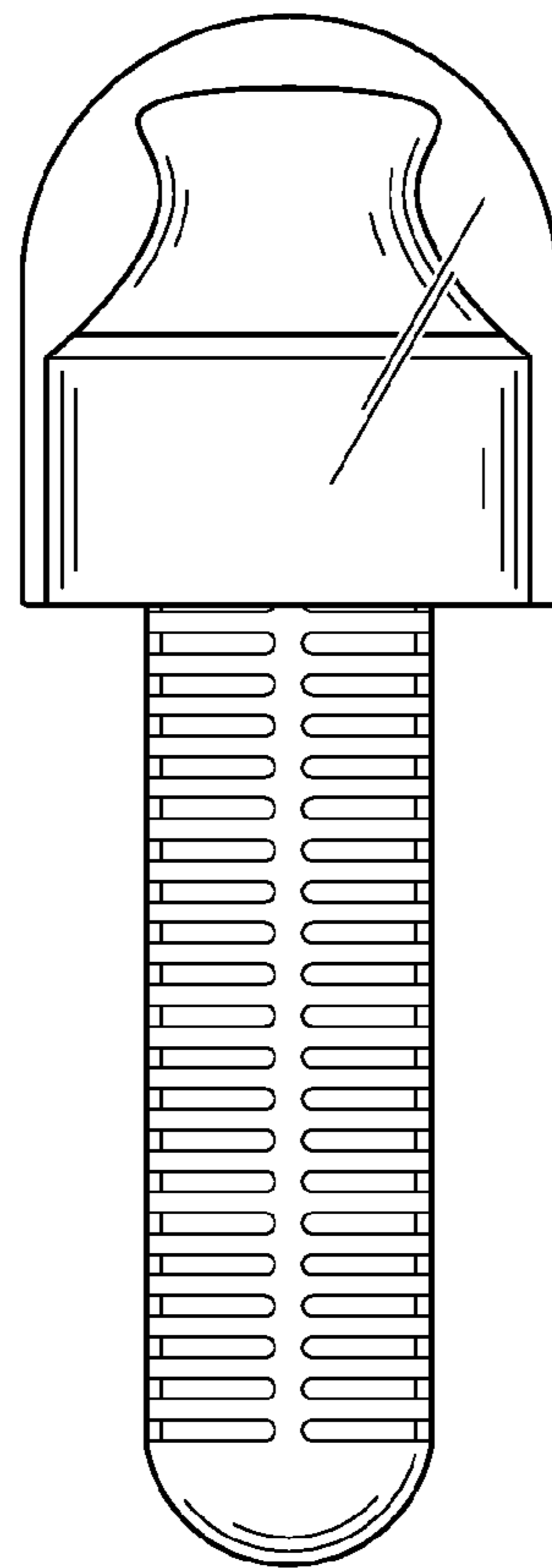


FIG. 2

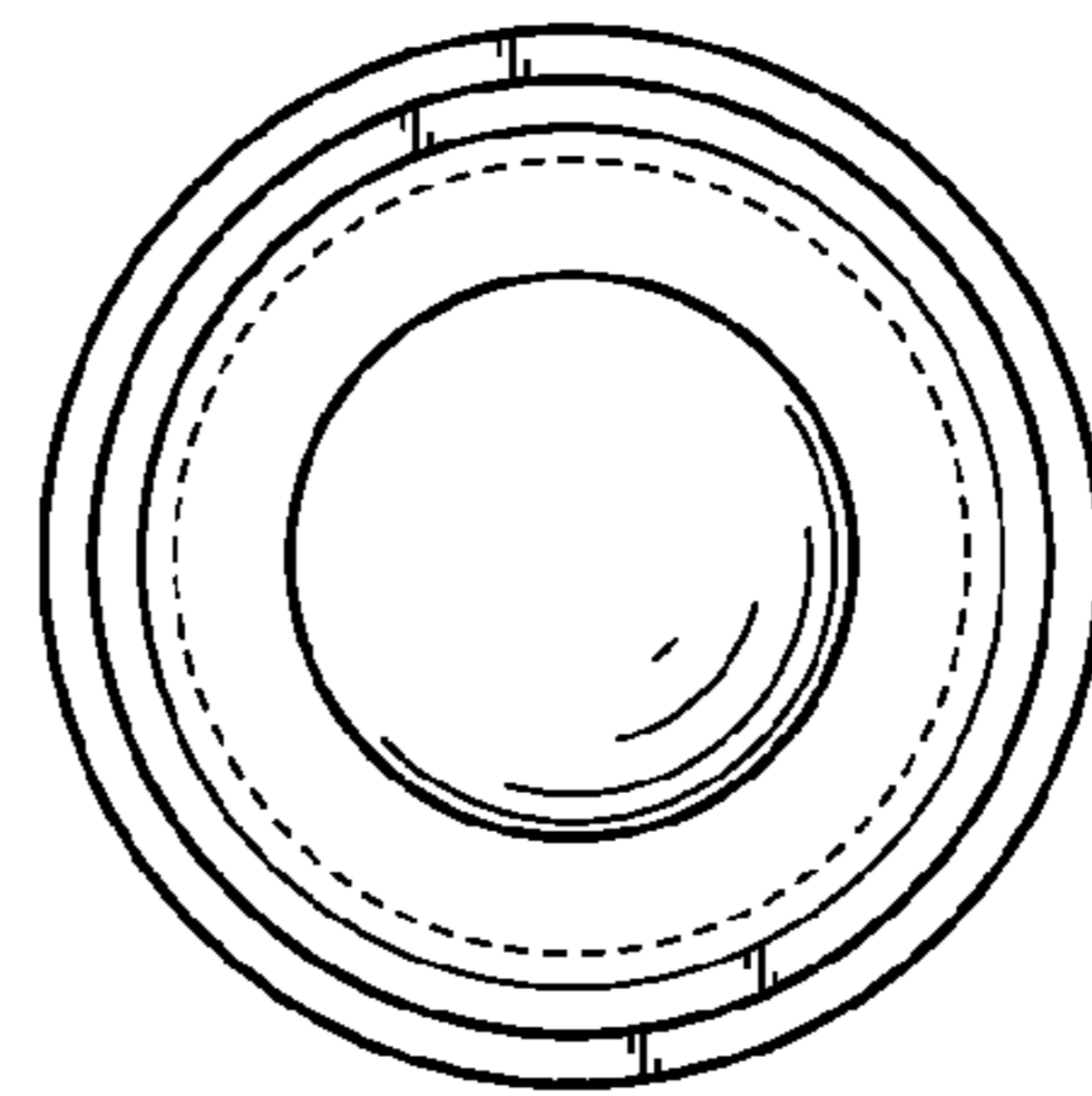


FIG. 4