



US00D631284S

(12) **United States Design Patent**  
**Fuller**

(10) **Patent No.:** **US D631,284 S**

(45) **Date of Patent:** **\*\* Jan. 25, 2011**

(54) **TOP FOR BEVERAGE CONTAINER**

(76) **Inventor:** **Mark Fuller**, P.O. Box 216, Sandpoint,  
ID (US) 83864

(\*\*) **Term:** **14 Years**

(21) **Appl. No.:** **29/316,548**

(22) **Filed:** **Oct. 8, 2009**

(51) **LOC (9) Cl.** ..... **07-01**

(52) **U.S. Cl.** ..... **D7/392.1; D7/396.2; D7/900**

(58) **Field of Classification Search** ..... **D7/396.2,**  
**D7/396.6, 396.1, 900, 510, 511, 392.1; D9/453,**  
**D9/454, 449; 220/792; 215/320, 235, 237**  
See application file for complete search history.

(56) **References Cited**

**U.S. PATENT DOCUMENTS**

3,556,338	A *	1/1971	Wilkinson et al.	.....	220/792
D466,371	S *	12/2002	Parker	.....	D7/510
D516,424	S *	3/2006	Schweigert et al.	.....	D9/447
D525,826	S *	8/2006	Kugler	.....	D7/392.1
D527,219	S *	8/2006	Trombly	.....	D7/392.1
D543,777	S *	6/2007	Seum et al.	.....	D7/392.1
D547,611	S *	7/2007	Seum et al.	.....	D7/511
D567,086	S *	4/2008	Buchman et al.	.....	D9/454

D577,548	S *	9/2008	Homma	.....	D7/536
D582,206	S *	12/2008	Fuller	.....	D7/392.1
D591,556	S *	5/2009	Fuller	.....	D7/396.2
D612,197	S *	3/2010	Chan	.....	D7/392.1
2006/0231559	A1 *	10/2006	Allen	.....	220/501

\* cited by examiner

*Primary Examiner*—Cynthia Underwood

(74) *Attorney, Agent, or Firm*—Lukins & Annis, PS

(57) **CLAIM**

The ornamental design for top for beverage container, as shown and described.

**DESCRIPTION**

FIG. 1 is an isometric top and side view of top for beverage container showing my design;

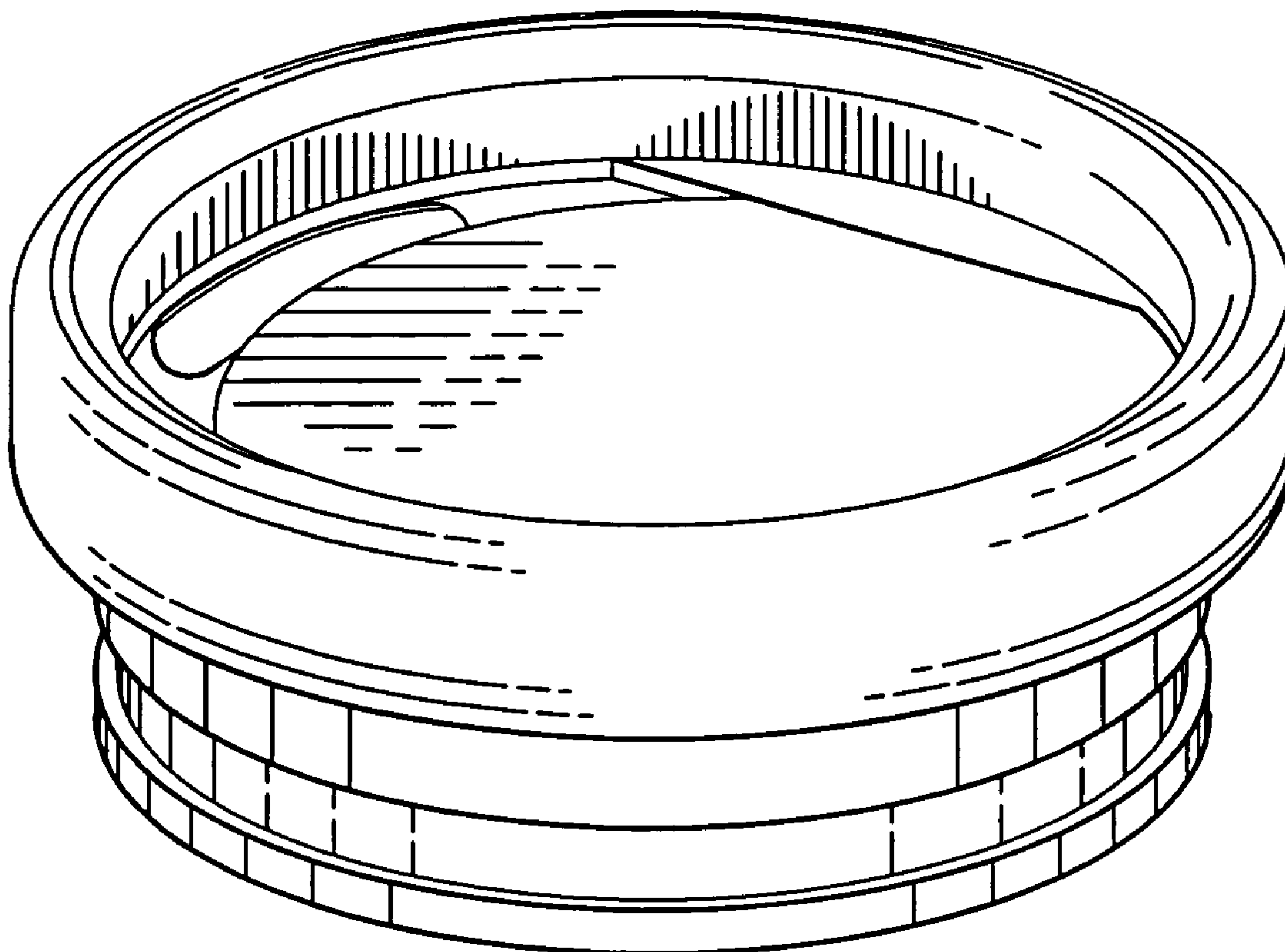
FIG. 2 is an orthographic side view of the top for beverage container, all side views being the same;

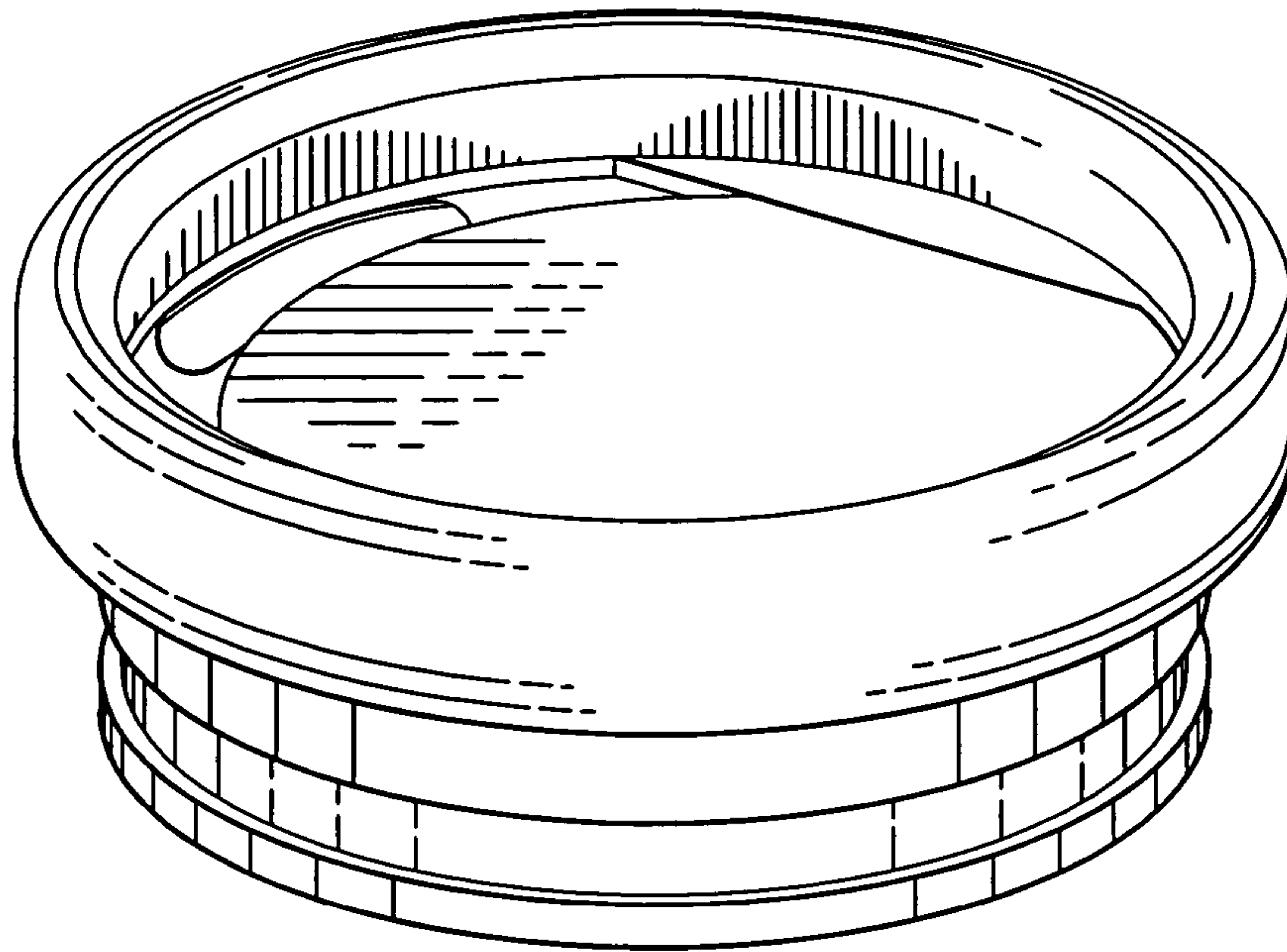
FIG. 3 is an orthographic top view thereof; and,

FIG. 4 is an orthographic bottom view thereof rotated 180 degrees.

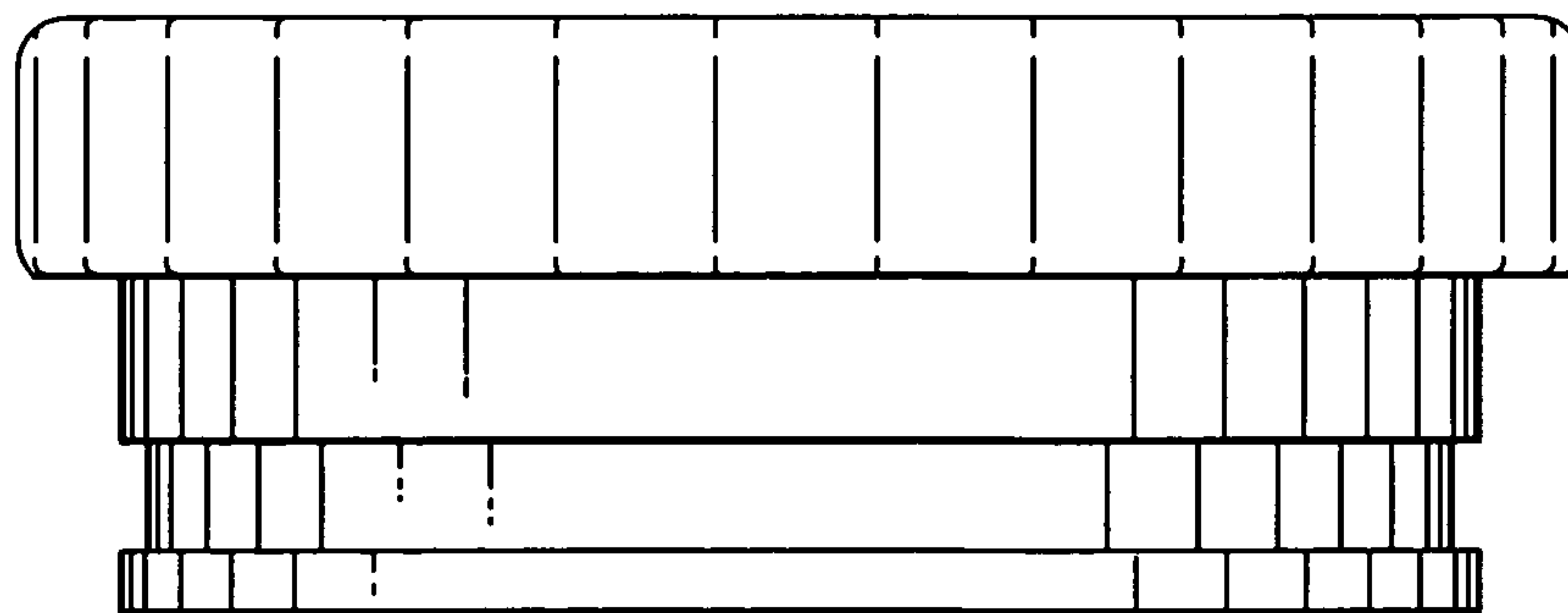
The broken lines are included for the purpose of illustrating part of the structure and form no part of the claimed design.

**1 Claim, 2 Drawing Sheets**

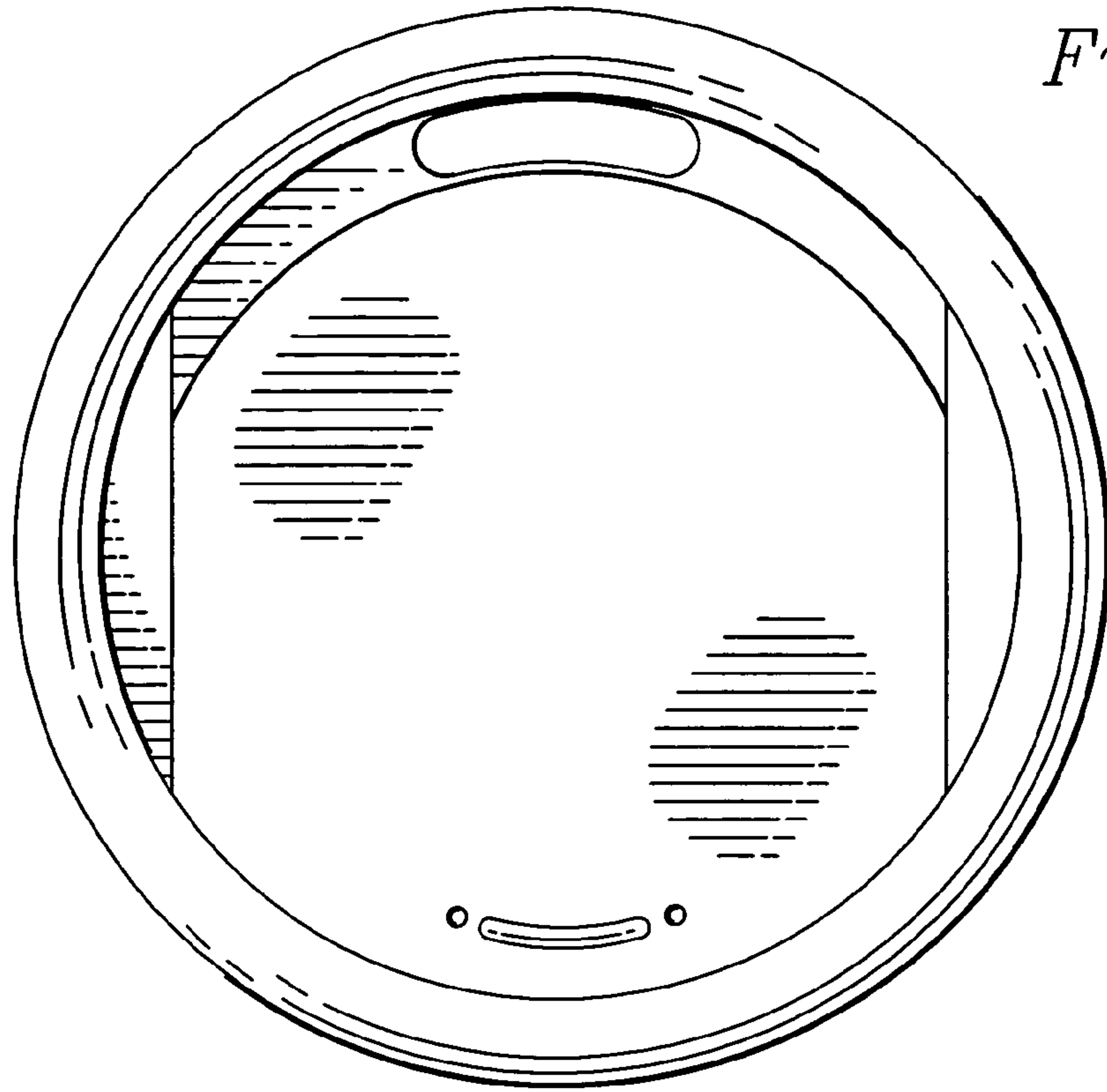




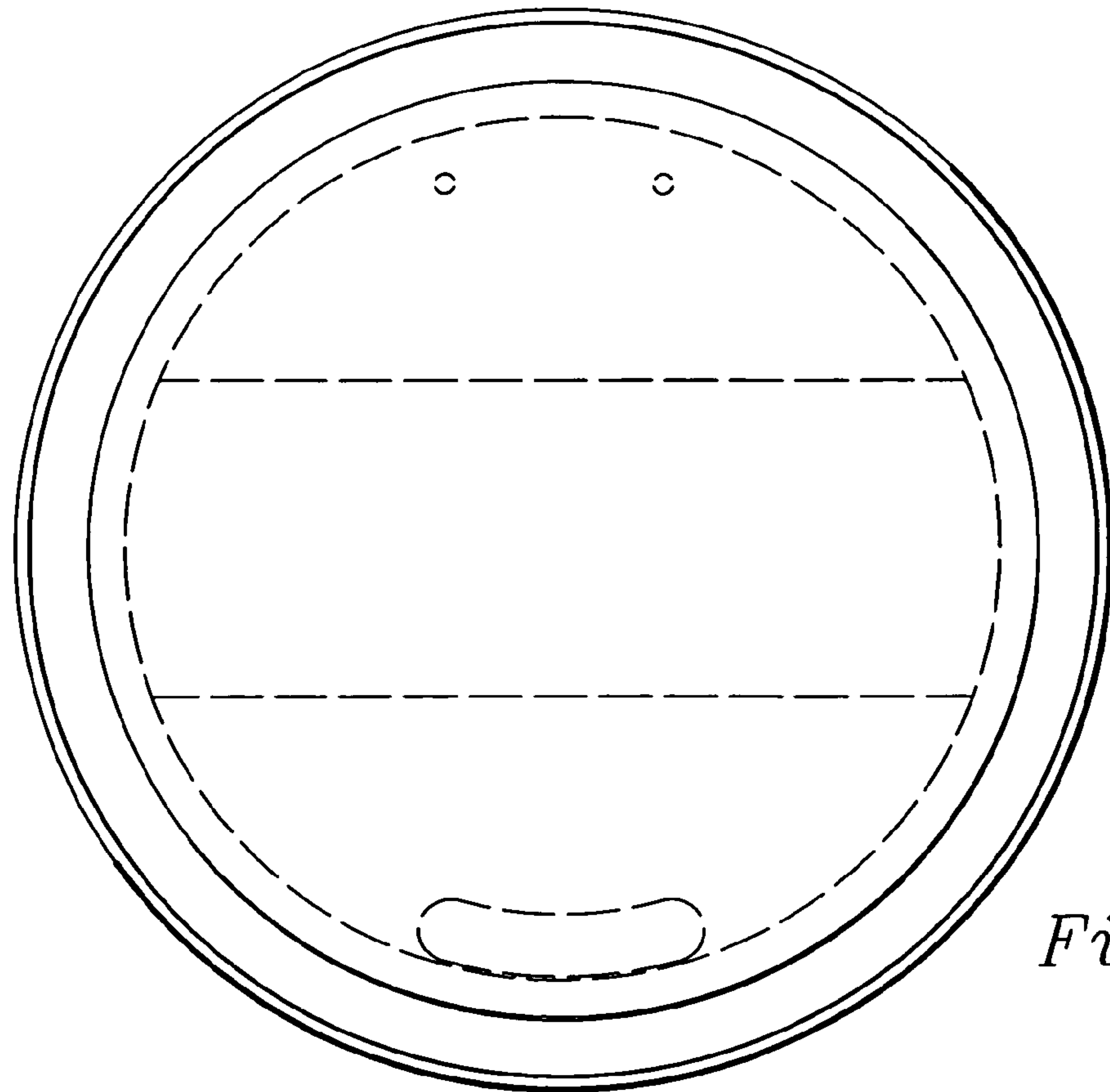
*Fig. 1*



*Fig. 2*



*Fig. 3*



*Fig. 4*