



US00D631281S

(12) **United States Design Patent**
Bodum

(10) **Patent No.:** **US D631,281 S**
(45) **Date of Patent:** **** Jan. 25, 2011**

(54) **COOKWARE POT HANDLE**
(75) Inventor: **Jørgen Bodum**, Meggen (CH)
(73) Assignee: **Pi-Design AG**, Triengen (CH)
(**) Term: **14 Years**
(21) Appl. No.: **29/345,911**
(22) Filed: **Oct. 23, 2009**

(30) **Foreign Application Priority Data**

May 7, 2009 (WO) DM/071 809

(51) **LOC (9) Cl.** **07-02**
(52) **U.S. Cl.** **D7/354**
(58) **Field of Classification Search** D7/318,
D7/323, 330-331, 337, 339, 347-367, 376-384,
D7/391-395, 402, 510, 542-545, 560, 600;
99/324-325, 329 R, 330-339, 372, 375, 400,
99/412-413, 425; 219/432-433, 438-441,
219/620-622, 725-730; 220/203.1, 203.07,
220/203.09, 254.1, 298, 303, 316, 356.1,
220/377, 573.1-574, 769, 912; 426/438,
426/441

See application file for complete search history.

(56) **References Cited**

U.S. PATENT DOCUMENTS

2,140,157 A 12/1938 Huffman
4,197,611 A 4/1980 Bell et al.
D370,826 S * 6/1996 Thurlow D7/360
D469,655 S * 2/2003 Ryan et al. D7/361
D496,219 S * 9/2004 Rae D7/395
D506,350 S * 6/2005 Cheng D7/360

D512,266 S * 12/2005 Munari D7/395
D534,031 S * 12/2006 Roussard D7/358
D562,621 S * 2/2008 Kloppsteck D7/360
D579,714 S * 11/2008 Cheng et al. D7/360
D589,295 S * 3/2009 Rohrer D7/360
D599,164 S * 9/2009 Hoekstra D7/360
D617,139 S * 6/2010 Rae D7/394
D618,491 S * 6/2010 Welk et al. D7/360
2004/0060936 A1 * 4/2004 Logiudice 220/254.1

* cited by examiner

Primary Examiner—Ricky Pham

(74) *Attorney, Agent, or Firm*—Sughrue Mion, PLLC

(57) **CLAIM**

The ornamental design for a cookware pot handle, as shown and described.

DESCRIPTION

FIG. 1 is an isometric perspective view of a cookware pot handle showing my new design;

FIG. 2 is a right view thereof;

FIG. 3 is a left view thereof;

FIG. 4 is a front view thereof;

FIG. 5 is a back view thereof;

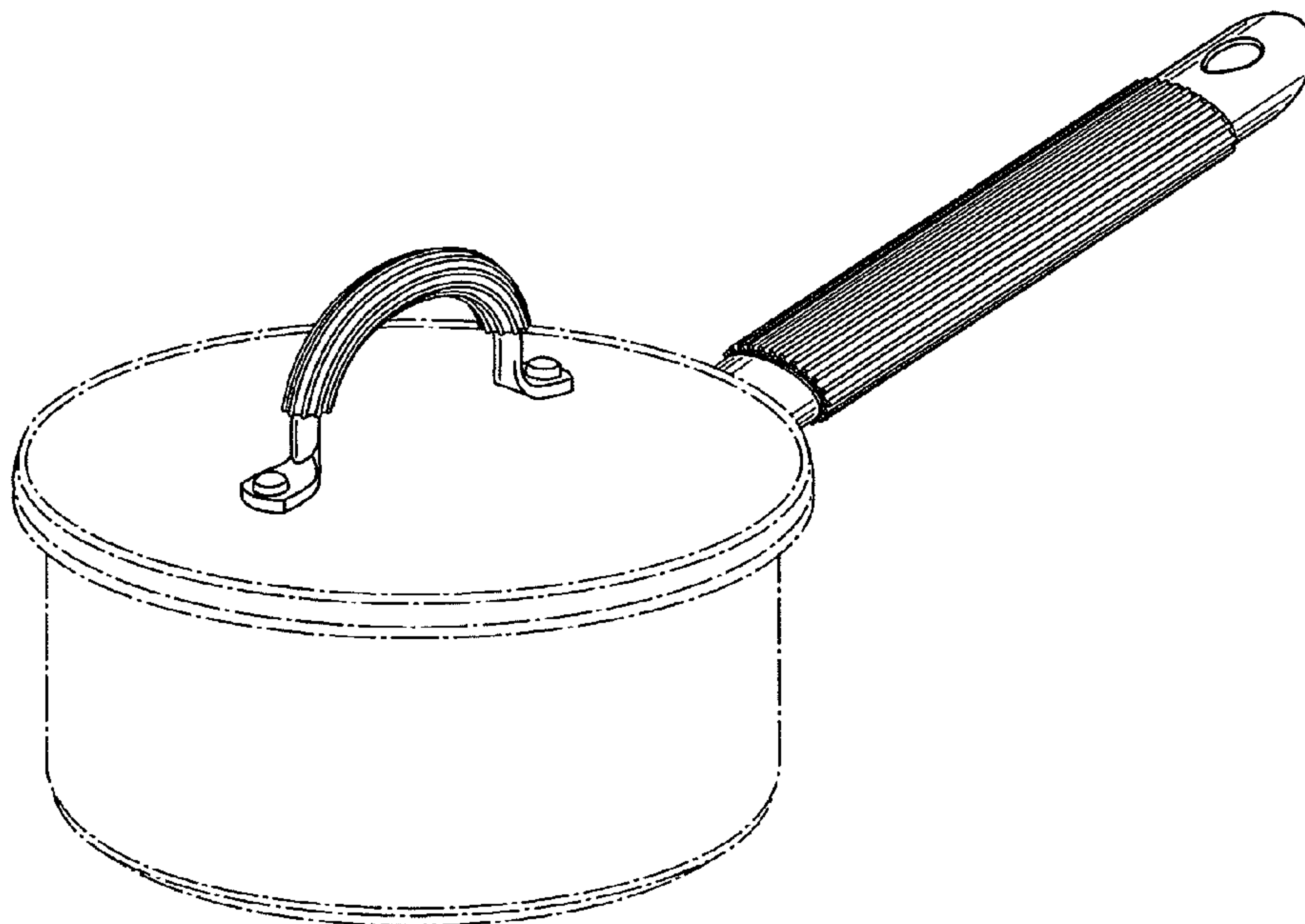
FIG. 6 is a top view thereof;

FIG. 7 is a bottom view thereof; and,

FIG. 8 is a cross-sectional view taken through line 8—8 of FIG. 6.

The broken lines depict environmental subject matter only and form no part of the claimed design.

1 Claim, 8 Drawing Sheets



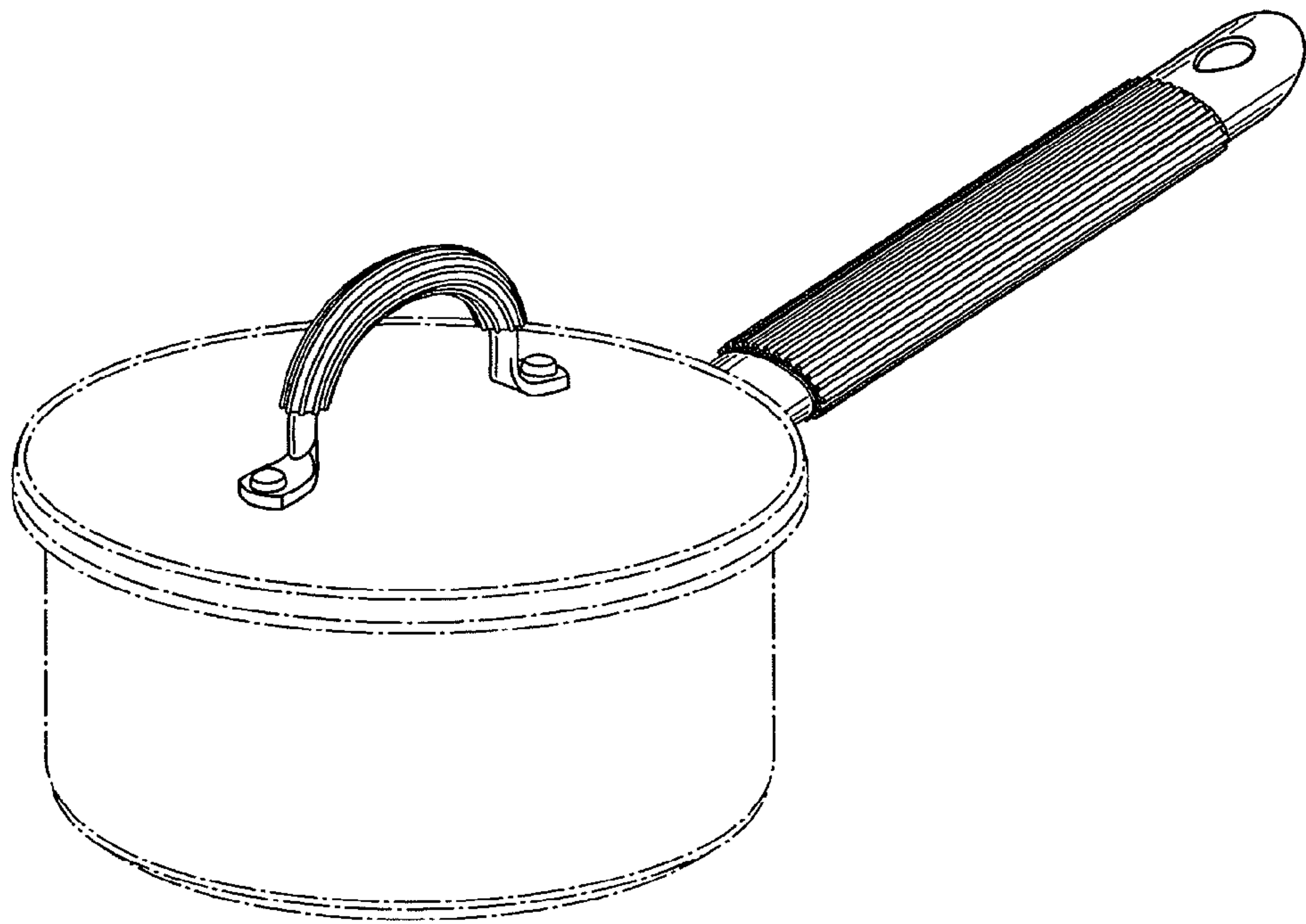


FIG. 1

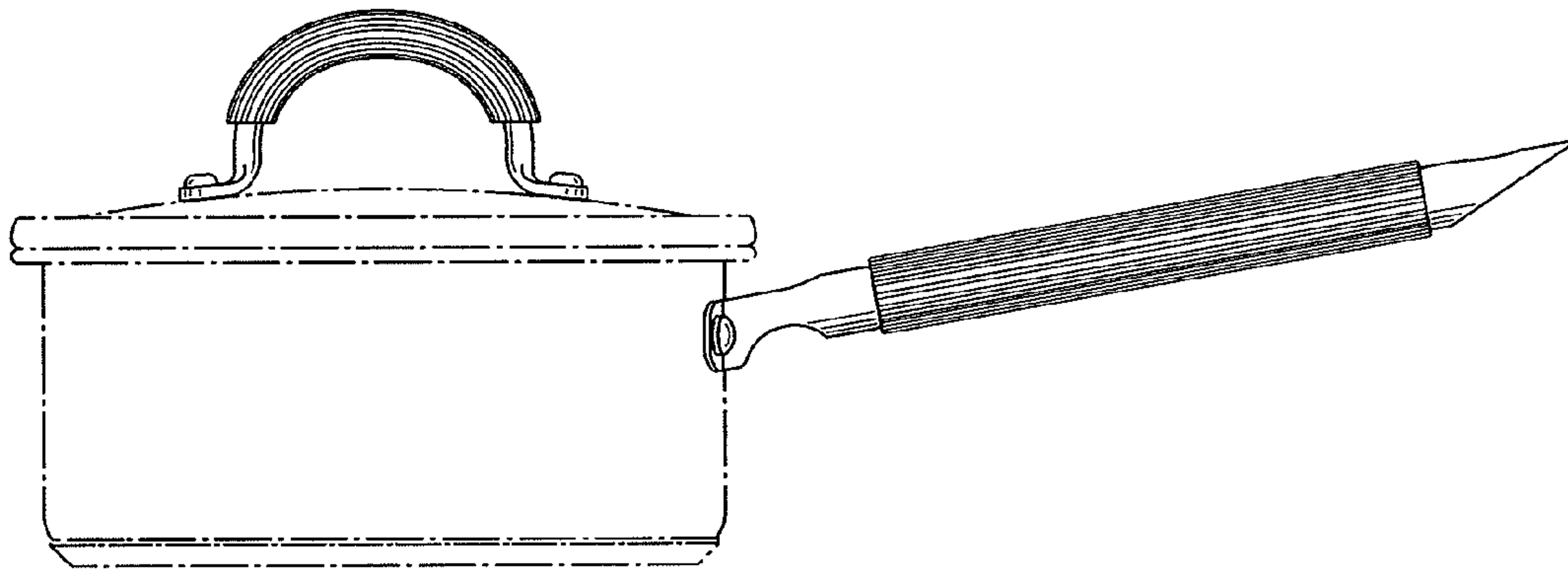


FIG. 2

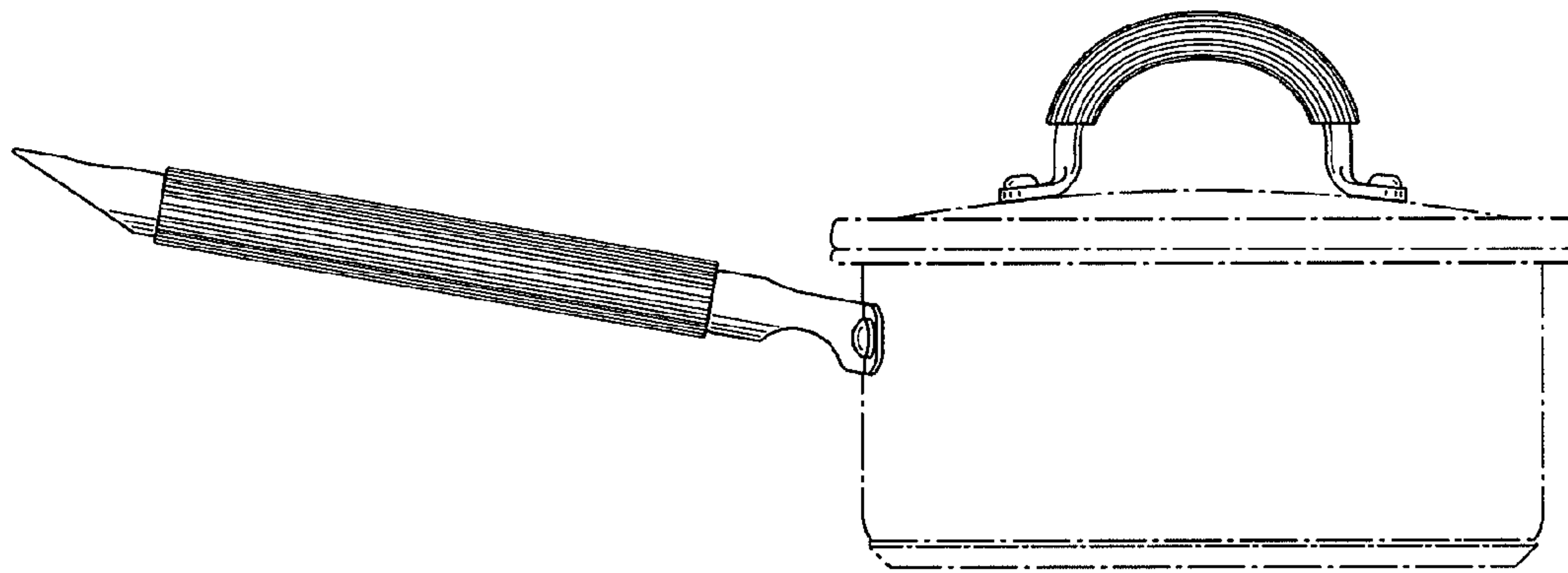


FIG. 3

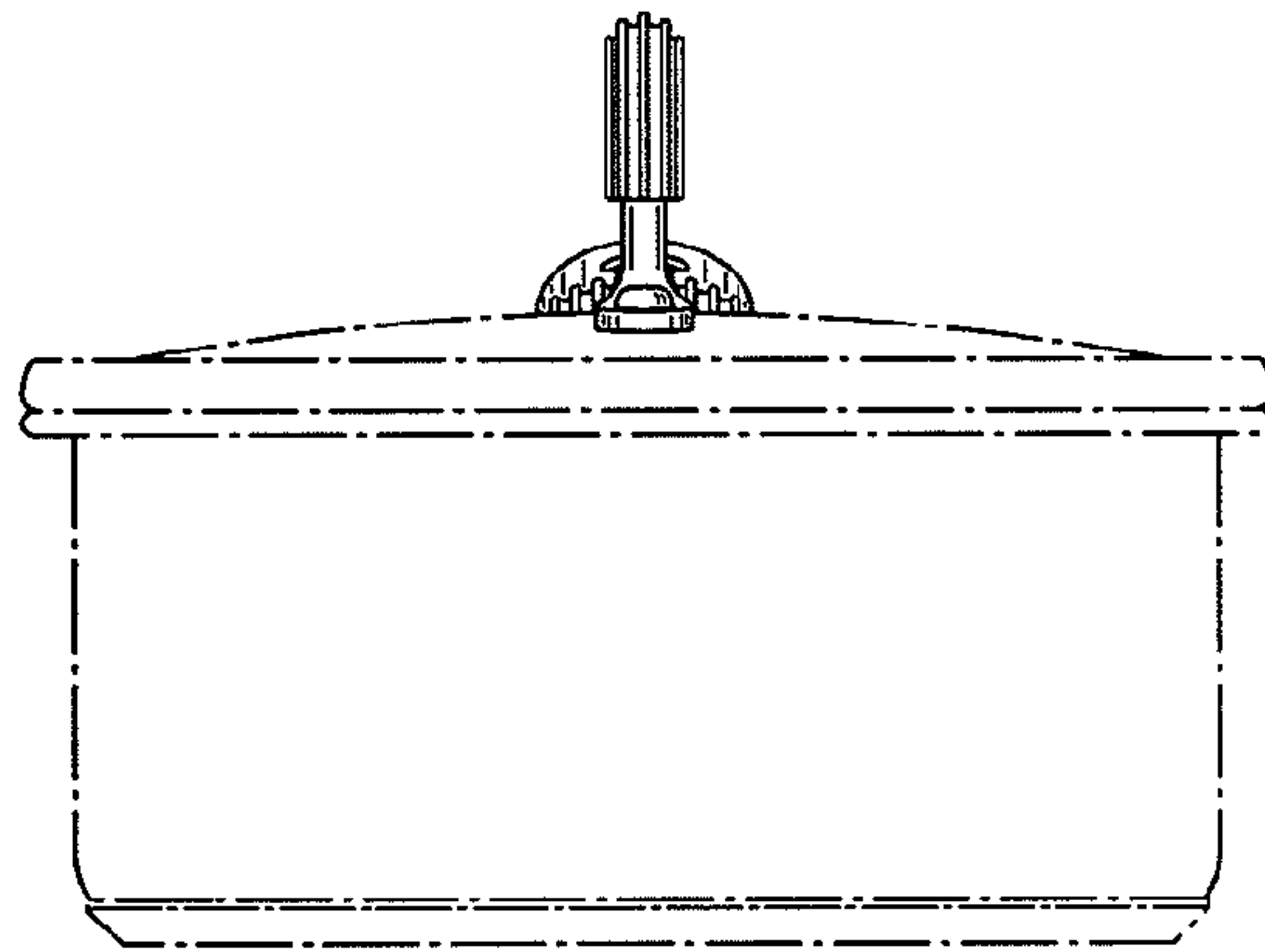


FIG. 4

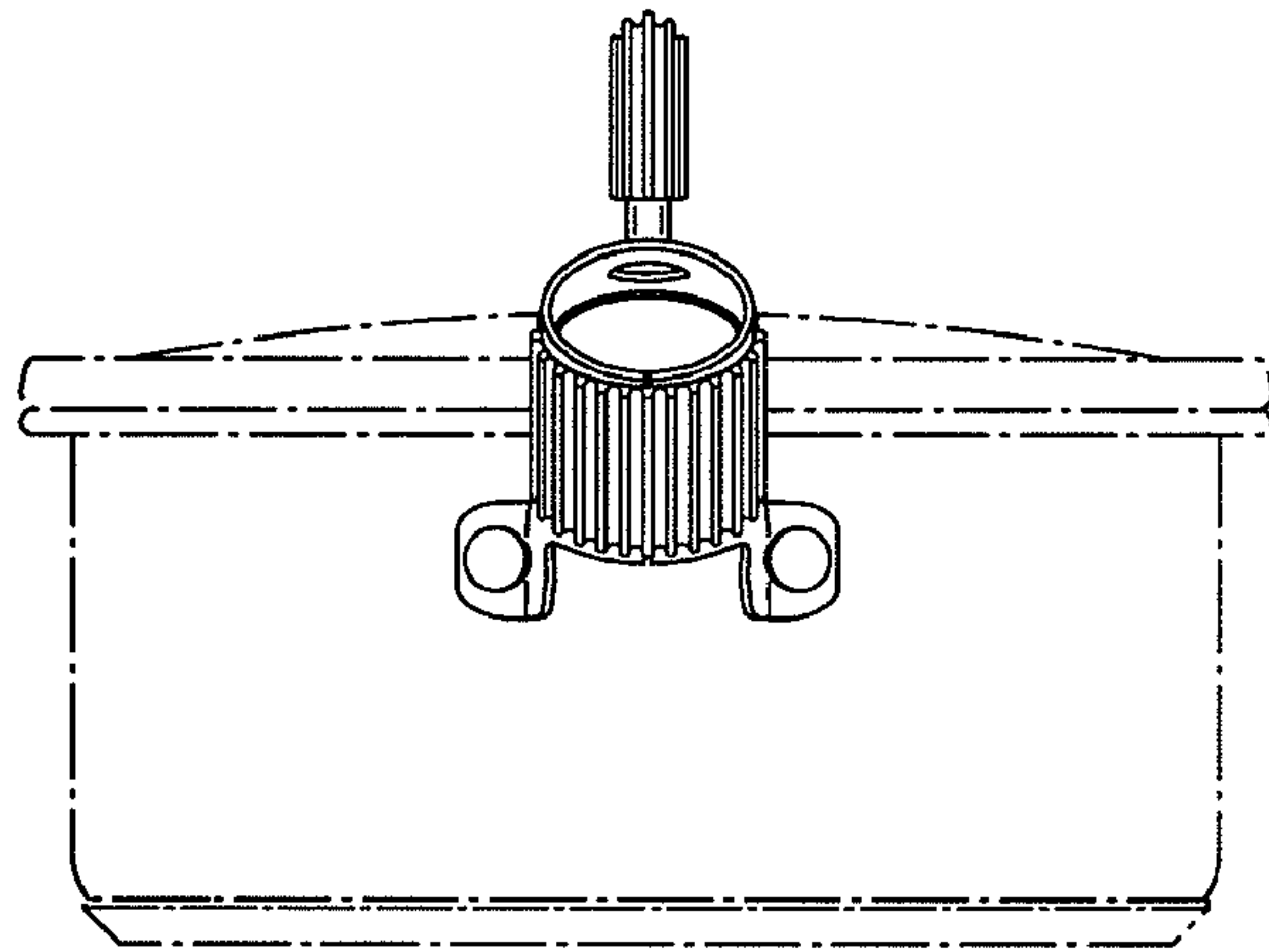


FIG. 5

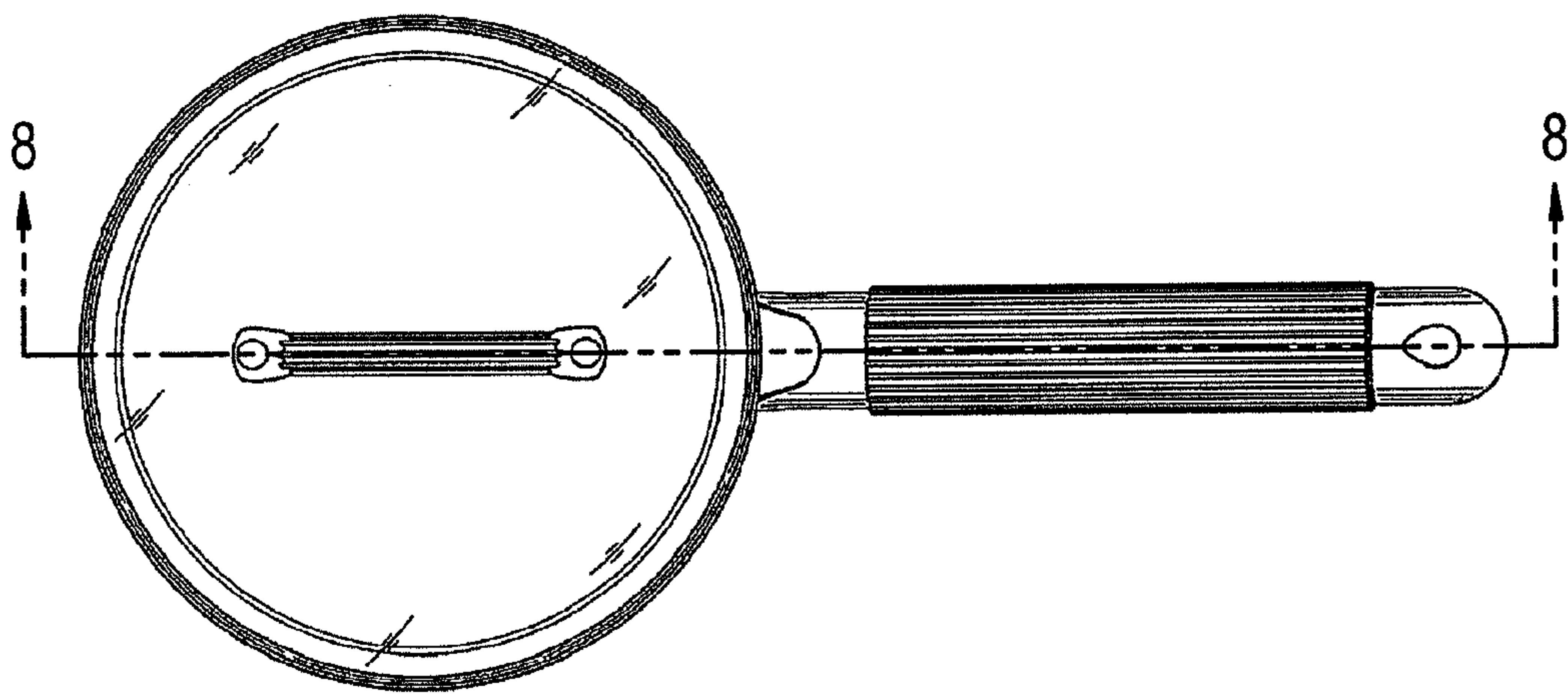


FIG. 6

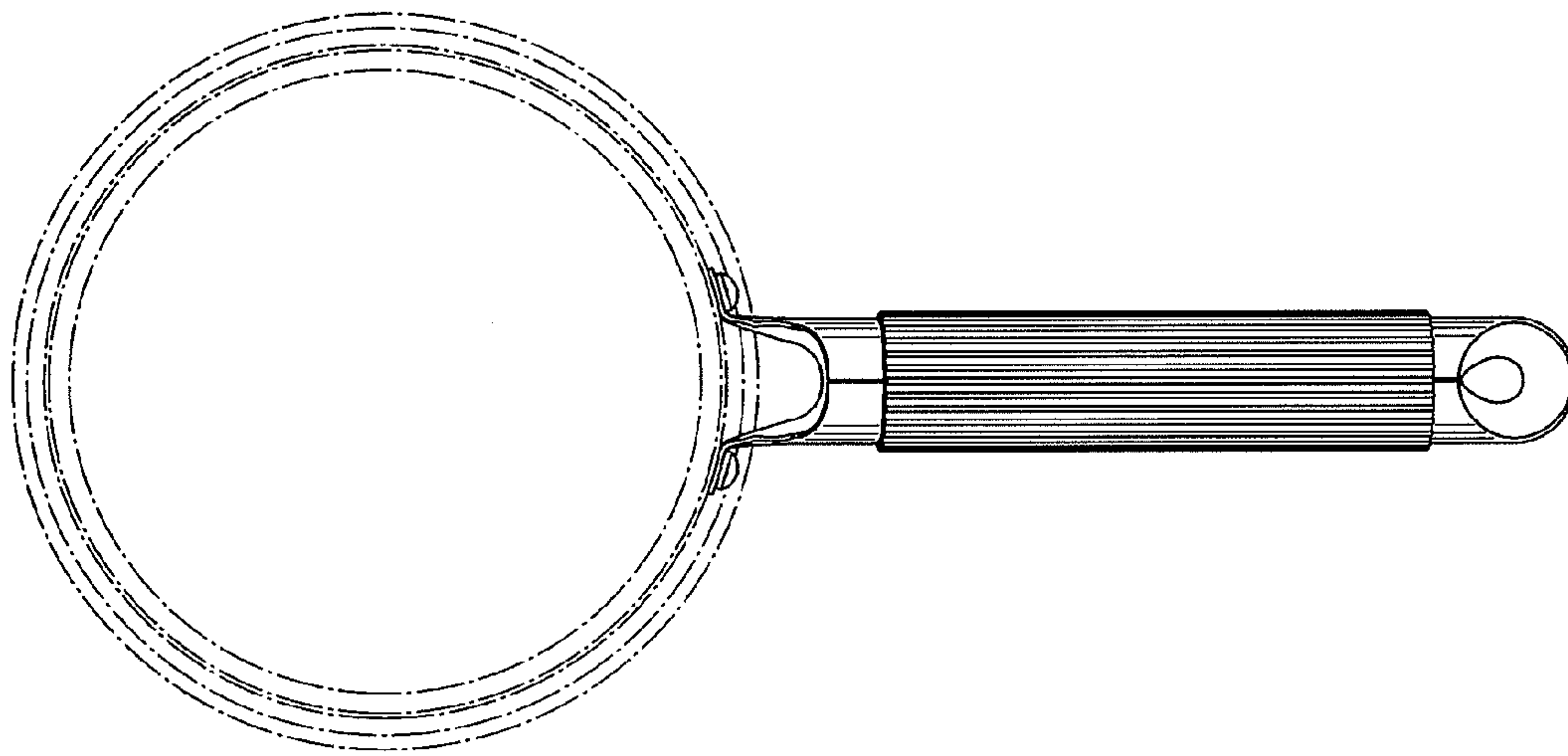


FIG. 7

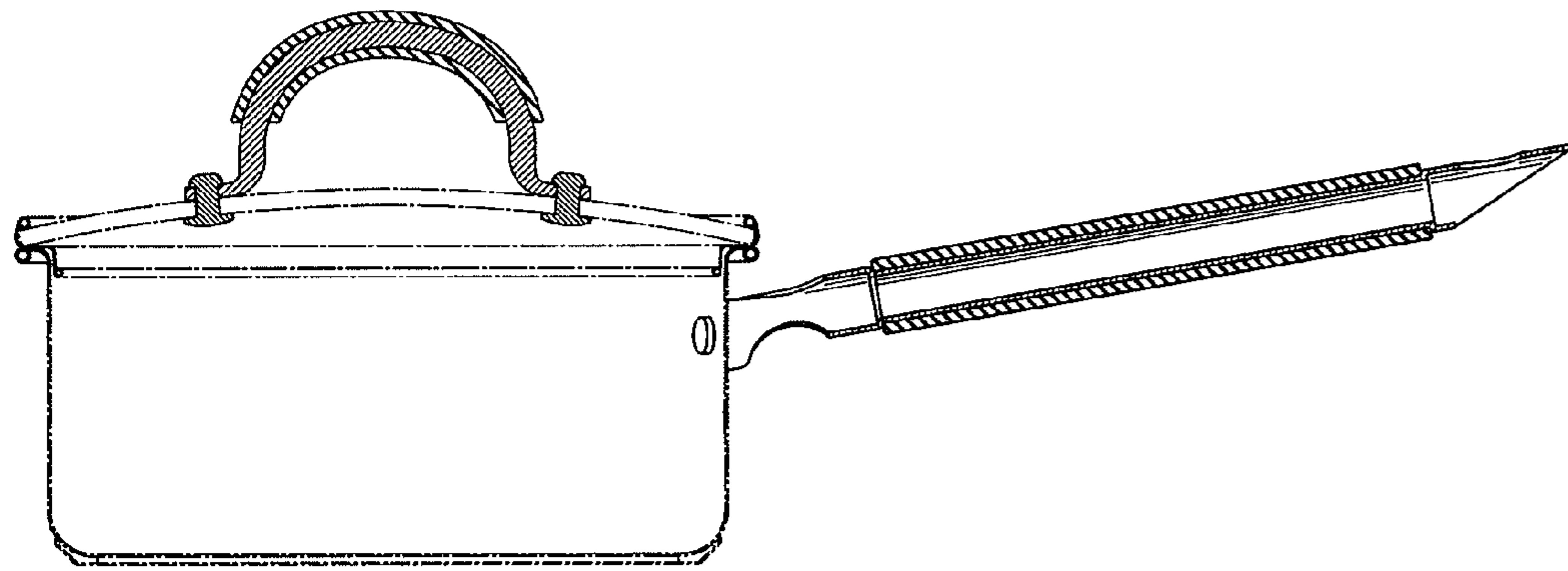


FIG. 8