



US00D631279S

(12) **United States Design Patent**
Davis

(10) **Patent No.:** **US D631,279 S**
(45) **Date of Patent:** **** Jan. 25, 2011**

(54) **BARBEQUE GRILL**

(76) Inventor: **Brian Lydell Davis**, 1550 Springtown Blvd., 10-J, Livermore, CA (US) 94551

(**) Term: **14 Years**

(21) Appl. No.: **29/345,318**

(22) Filed: **Oct. 14, 2009**

(51) **LOC (9) Cl.** **07-02**

(52) **U.S. Cl.** **D7/332**

(58) **Field of Classification Search** D7/332,
D7/334-337, 402-405; 99/339, 449, 450,
99/482; 126/25 R, 9 R, 41 R, 50, 276, 304 A,
126/268

See application file for complete search history.

(56) **References Cited**

U.S. PATENT DOCUMENTS

D57,339 S *	3/1921	Hooper	D2/967
D312,746 S *	12/1990	Lutter	D7/337
D324,153 S *	2/1992	Wood	D7/402
D325,319 S *	4/1992	Zilber et al.	D7/337
D326,583 S *	6/1992	Lutter et al.	D7/332
D358,527 S *	5/1995	Danielson et al.	D7/332
D379,286 S *	5/1997	Fincher	D7/334
D467,119 S *	12/2002	McGargill	D7/332
D481,255 S *	10/2003	Mak	D7/332

D516,365 S *	3/2006	Baris et al.	D7/332
D537,669 S *	3/2007	Loving	D7/332
D592,004 S *	5/2009	Loving	D7/337
D592,006 S *	5/2009	Griffard	D7/337

* cited by examiner

Primary Examiner—Ruth McInroy
(74) *Attorney, Agent, or Firm*—Sinorica, LLC

(57) **CLAIM**

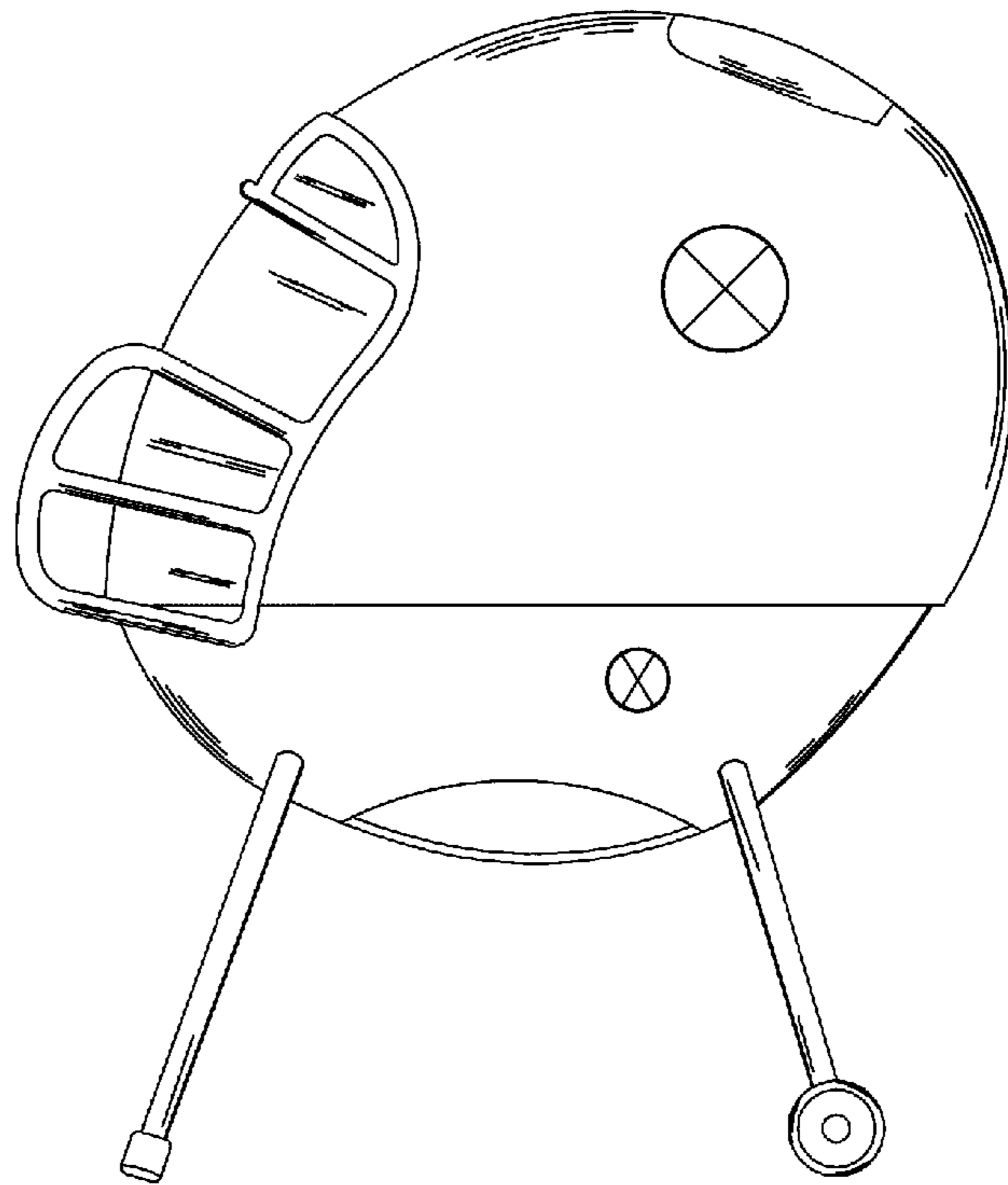
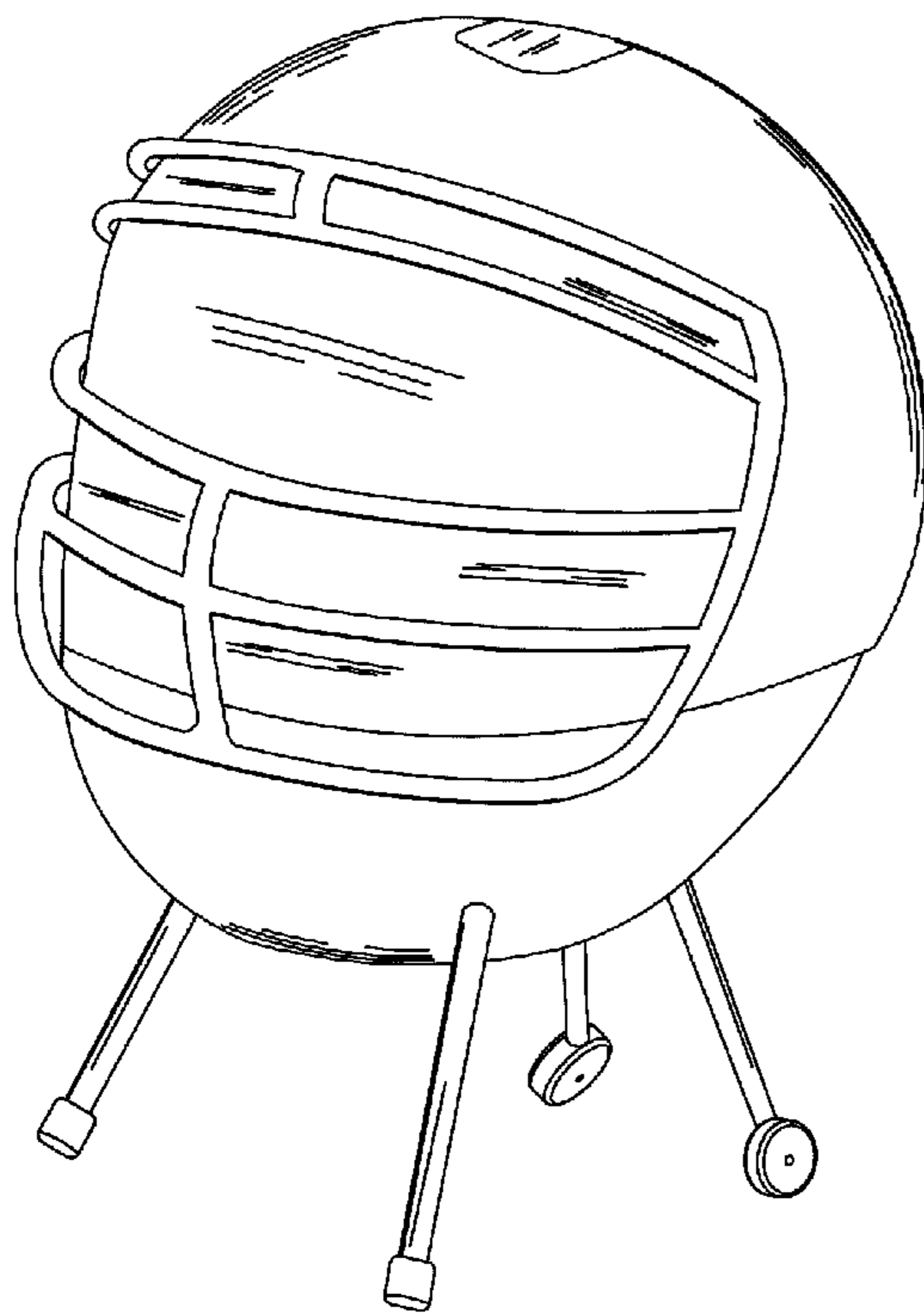
The ornamental design of a barbeque grill, as shown and described.

DESCRIPTION

FIG. 1 is a front perspective view of a barbeque grill;
FIG. 2 is a right-side elevational view wherein the left-side elevational view being a mirror image thereof;
FIG. 3 is a front elevational view thereof;
FIG. 4 is a rear elevational view thereof;
FIG. 5 is a top plan view thereof; and,
FIG. 6 is a bottom plan view thereof.

The broken line showing of a barbeque grill is for the purpose of illustrating environmental structure and forms no part of the claimed design.

1 Claim, 6 Drawing Sheets



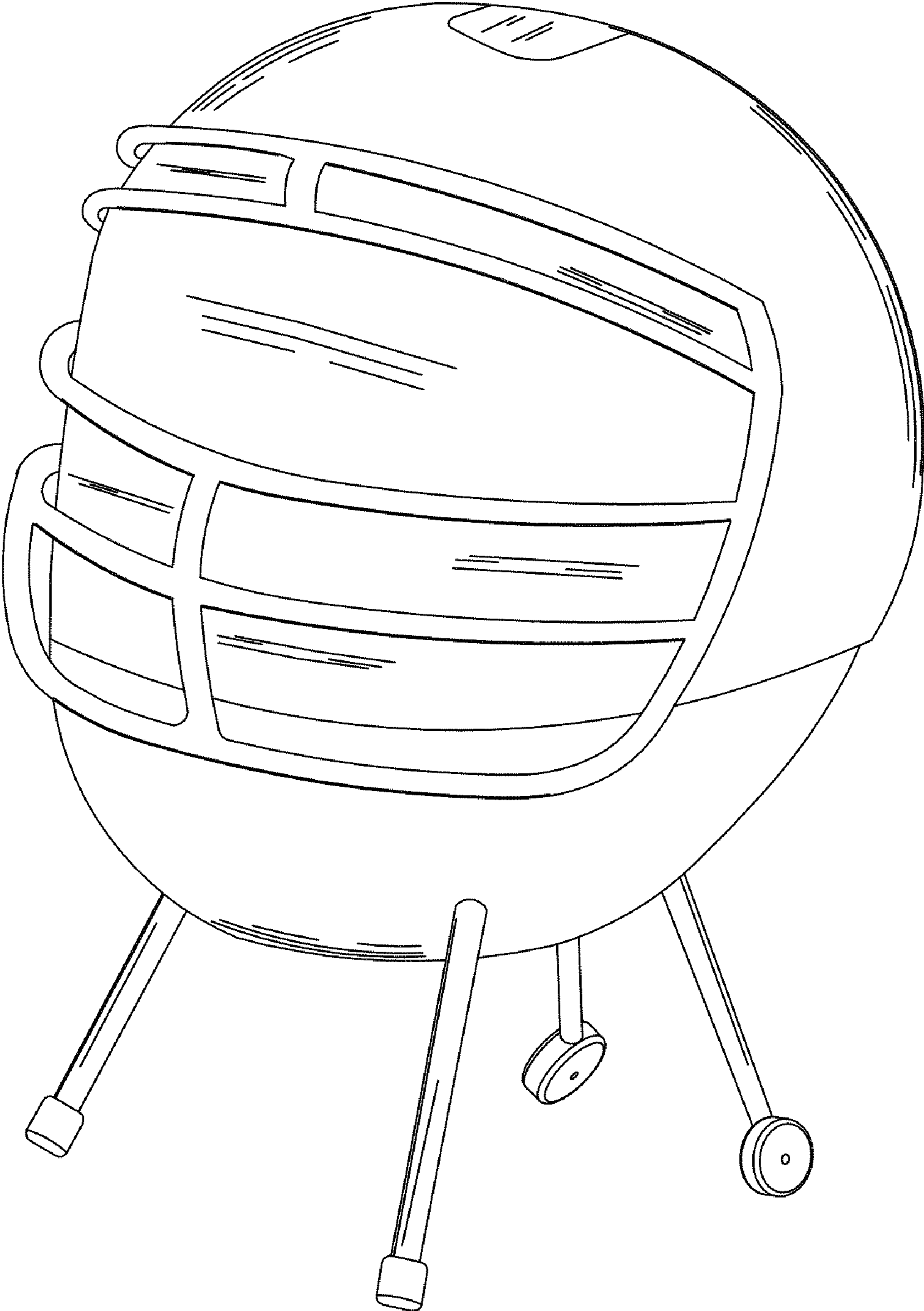


FIG. 1

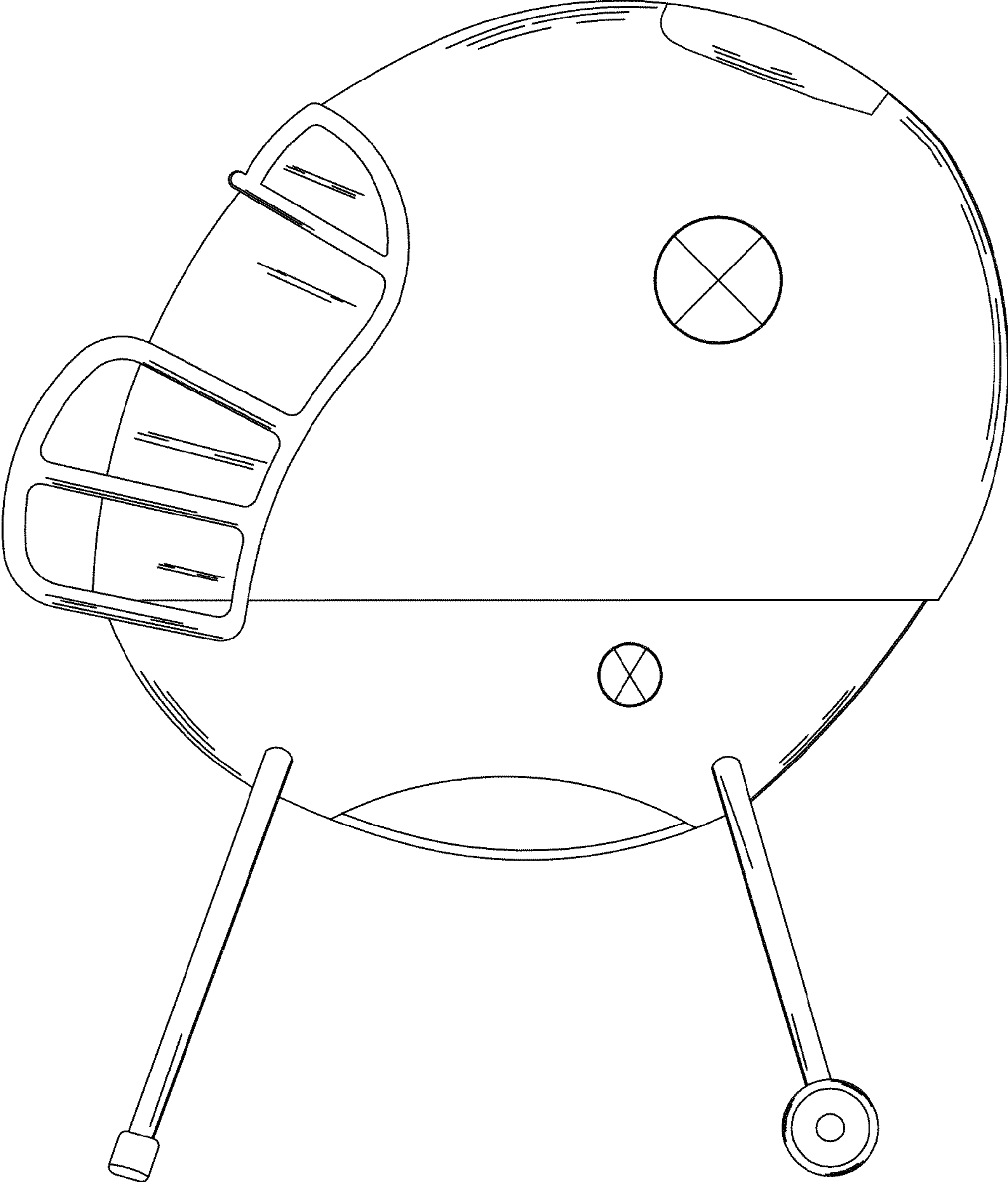


FIG. 2

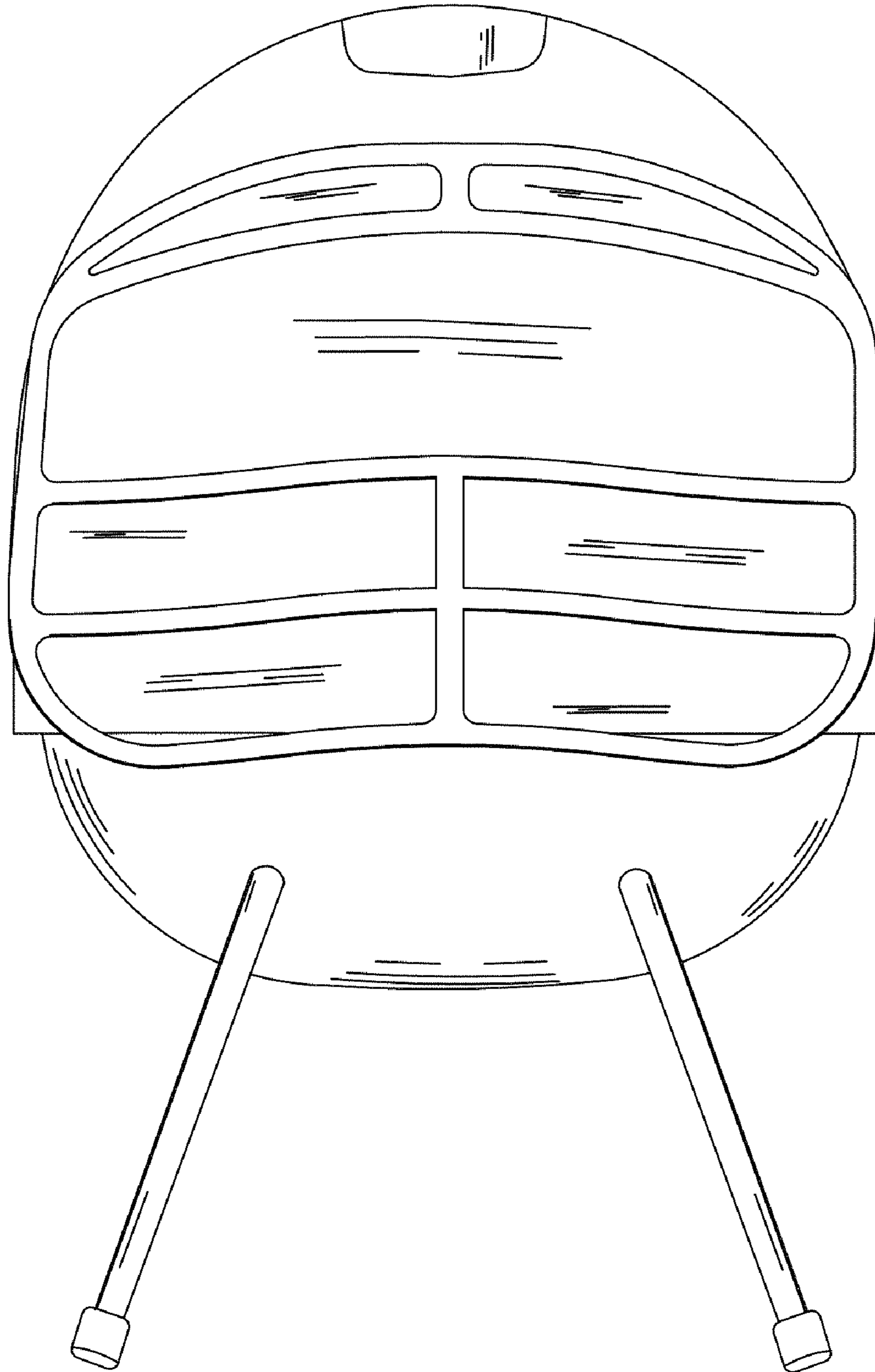


FIG. 3

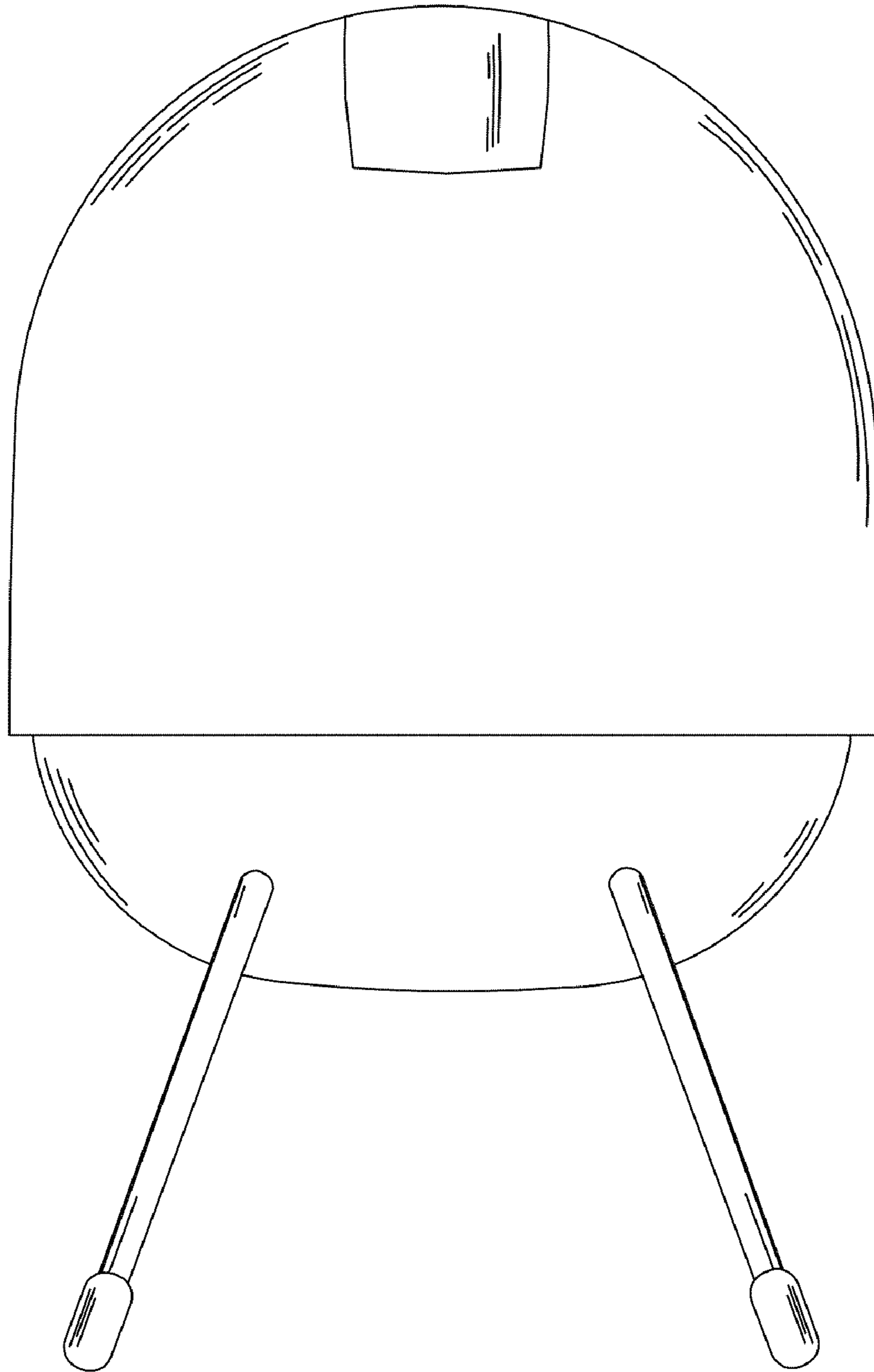


FIG. 4

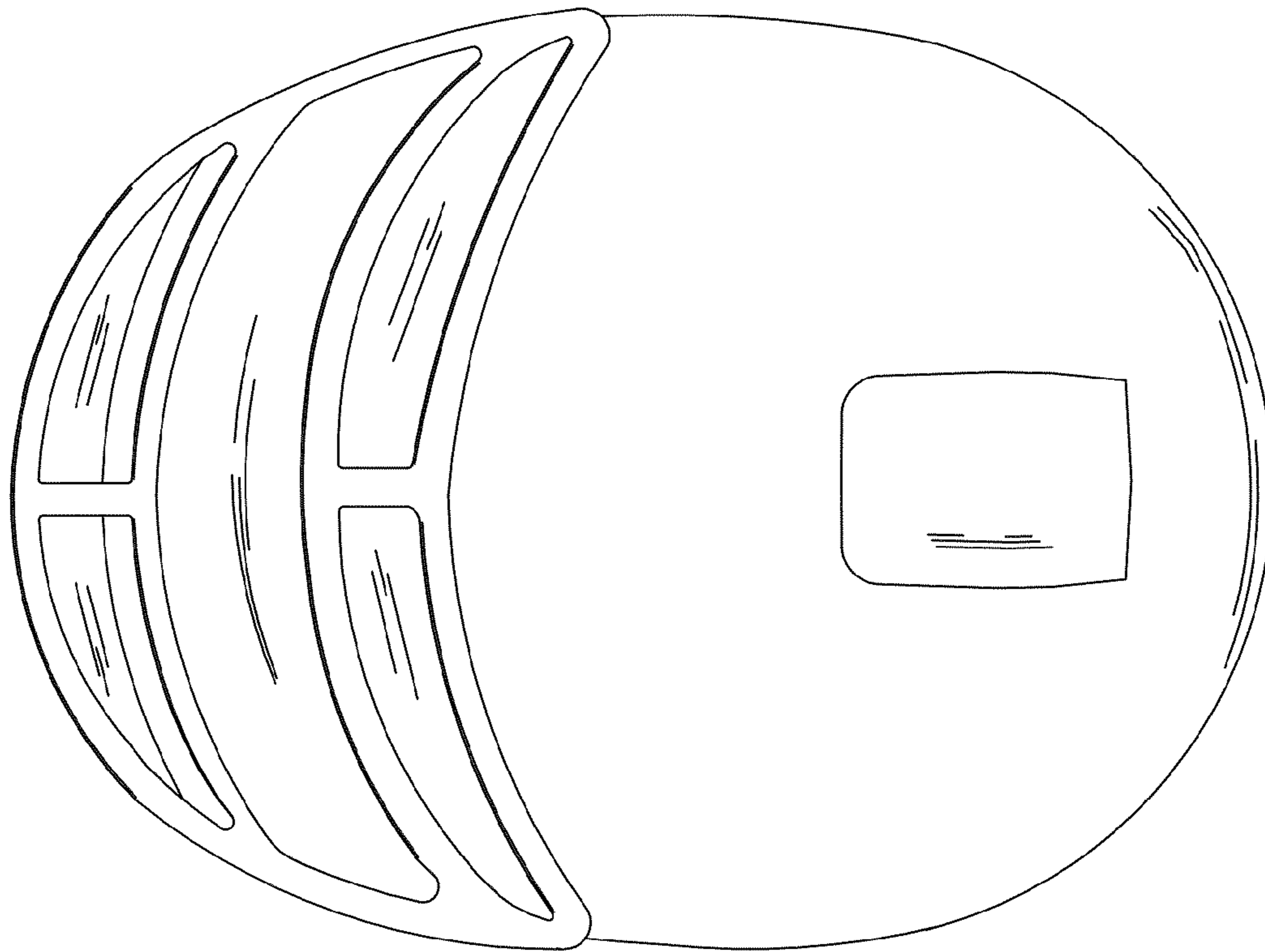


FIG. 5

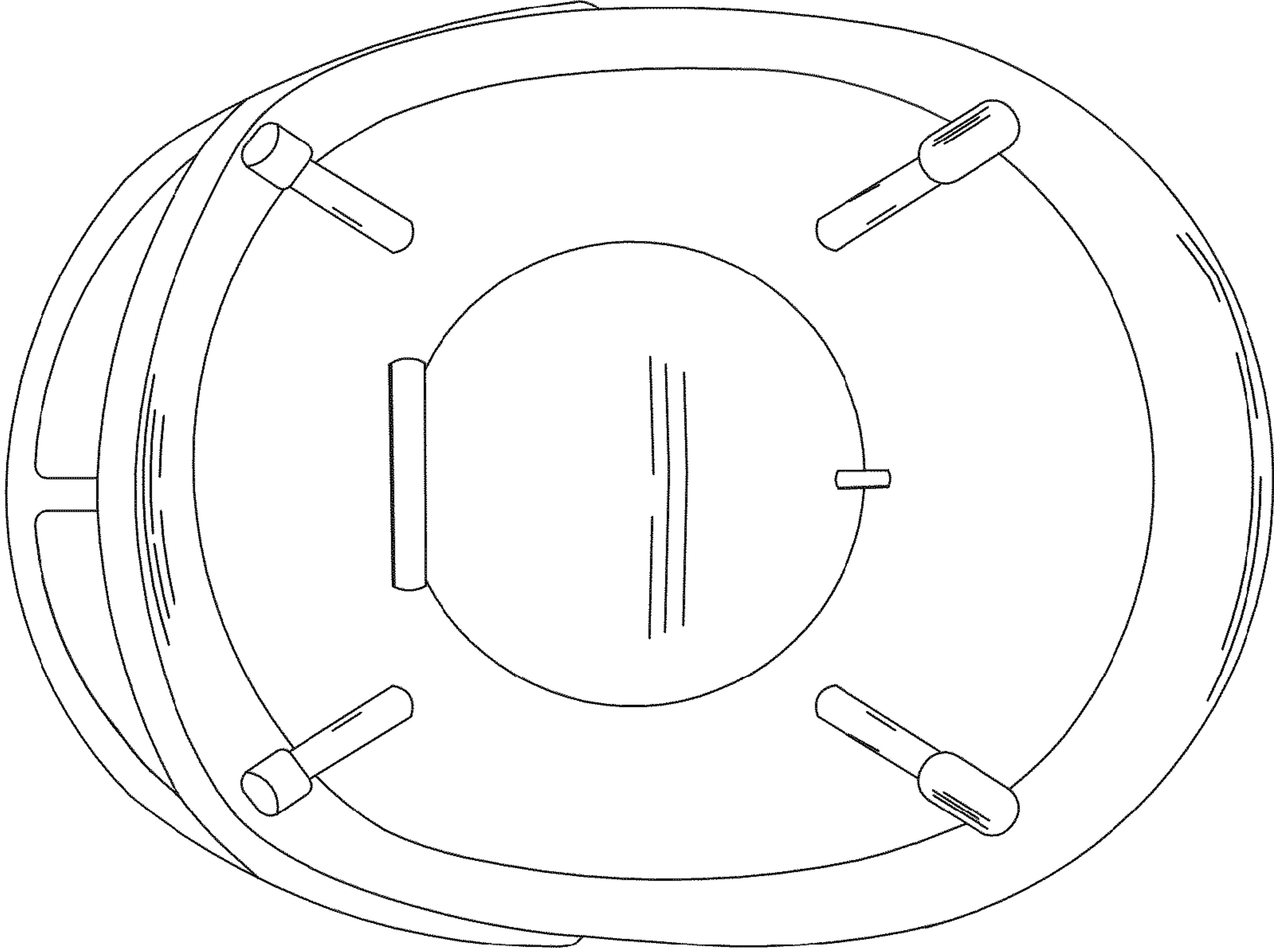


FIG. 6